



US00D904861S

(12) **United States Design Patent**  
**McWilliams**

(10) **Patent No.:** **US D904,861 S**

(45) **Date of Patent:** **\*\* Dec. 15, 2020**

(54) **ADVANCED TARPAULIN SUPPORT BRACKET**

(71) Applicant: **Clifford O. McWilliams**, Owasso, OK (US)

(72) Inventor: **Clifford O. McWilliams**, Owasso, OK (US)

(\*\*) Term: **15 Years**

(21) Appl. No.: **29/739,422**

(22) Filed: **Jun. 25, 2020**

**Related U.S. Application Data**

(63) Continuation-in-part of application No. 16/911,689, filed on Jun. 25, 2020.

(51) **LOC (12) Cl.** ..... **08-05**

(52) **U.S. Cl.**  
USPC ..... **D8/354**

(58) **Field of Classification Search**  
USPC ..... D8/354, 400, 499, 349, 363, 366;  
D6/580, 572, 570, 571; D25/124;  
D12/401-405

CPC ..... B60P 7/00; B60P 7/02; B60P 7/04; B60P 7/06; B60J 5/065; B62D 33/04

See application file for complete search history.

(56) **References Cited**

**U.S. PATENT DOCUMENTS**

5,664,824 A \* 9/1997 Stephens ..... B60J 7/102  
296/100.17  
D418,394 S \* 1/2000 King ..... D25/124

D696,100 S \* 12/2013 Wada ..... D8/354  
D768,555 S \* 10/2016 McWilliams ..... D12/401  
9,469,353 B1 \* 10/2016 McWilliams ..... B62D 29/04  
D821,181 S \* 6/2018 Ito ..... D8/354  
D841,437 S \* 2/2019 Ito ..... D8/354  
10,363,800 B2 \* 7/2019 Philavong ..... B60J 7/104  
10,596,885 B1 \* 3/2020 McWilliams ..... B60J 7/102

\* cited by examiner

*Primary Examiner* — Keli L Hill

*Assistant Examiner* — Harold E Blackwell, II

(74) *Attorney, Agent, or Firm* — Head, Johnson, Kachigian & Wilkinson, PC

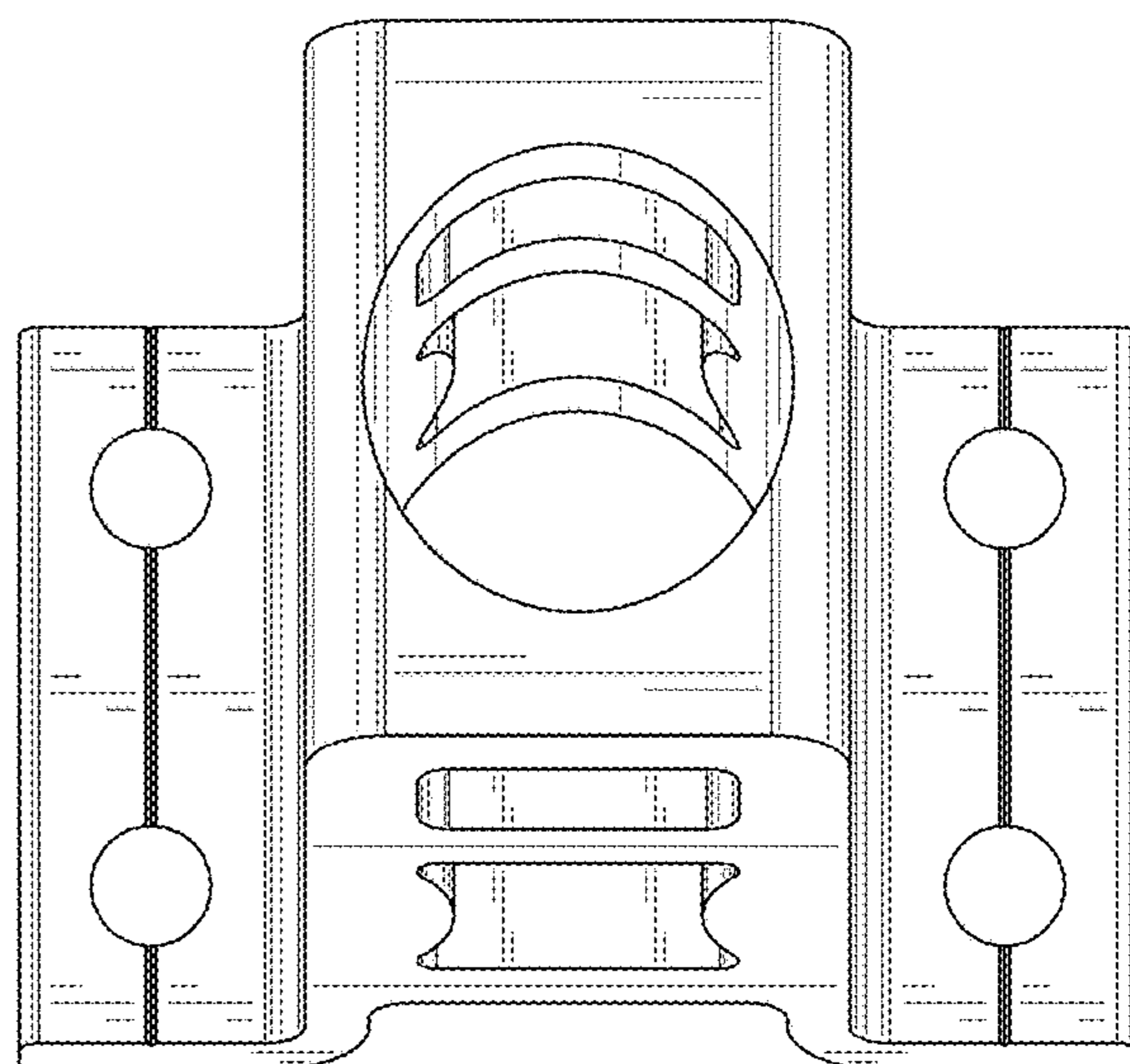
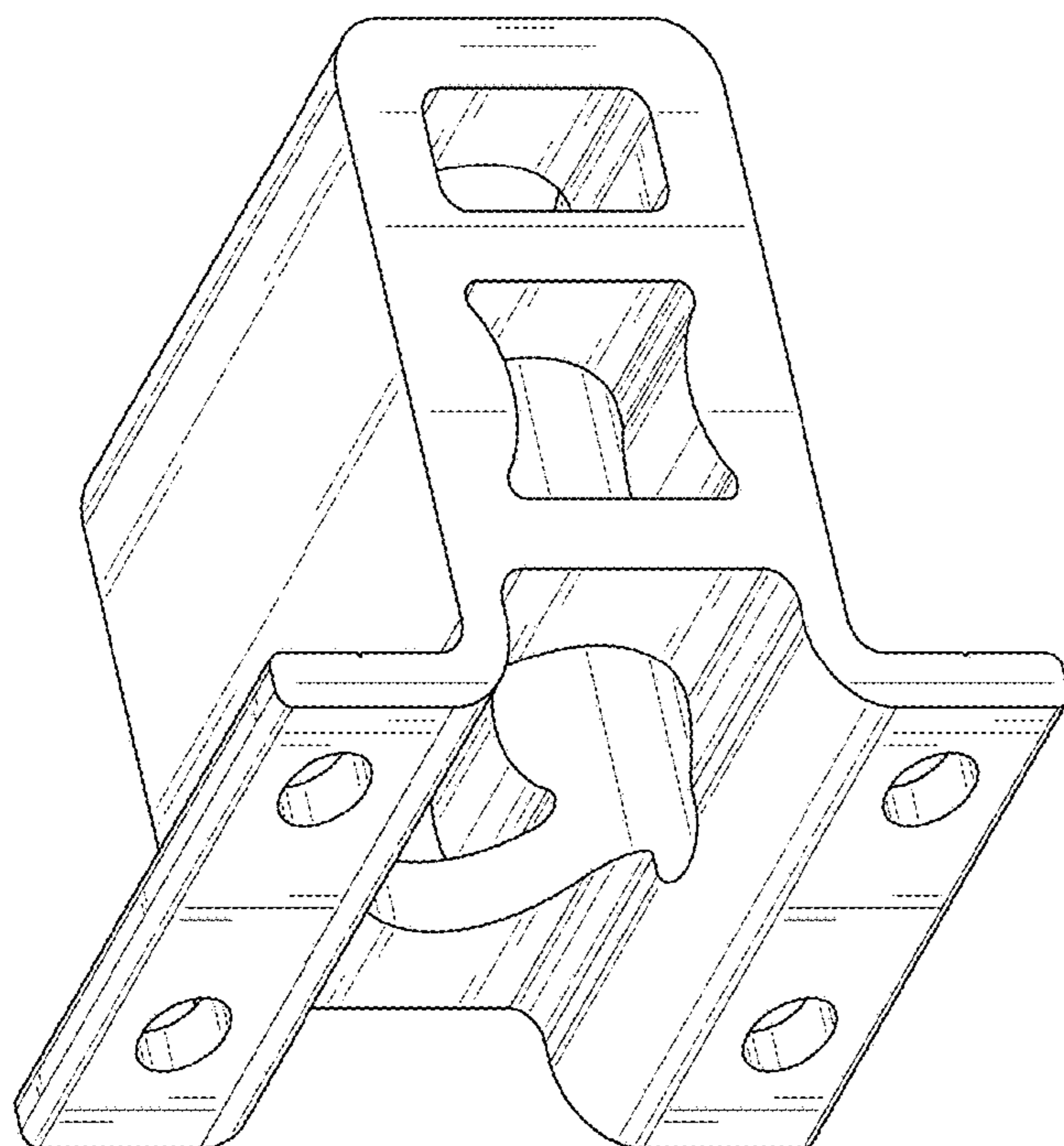
(57) **CLAIM**

The ornamental design for an advanced tarpaulin support bracket, as shown and described.

**DESCRIPTION**

FIG. 1 is a top back perspective view of an advanced tarpaulin support bracket, showing my new design; FIG. 2 is a front elevational view thereof; FIG. 3 is a back elevational view thereof; FIG. 4 is a top plan view thereof; FIG. 5 is a bottom plan view thereof; FIG. 6 is a right elevational view thereof; and, FIG. 7 is a left elevational view thereof.

**1 Claim, 7 Drawing Sheets**



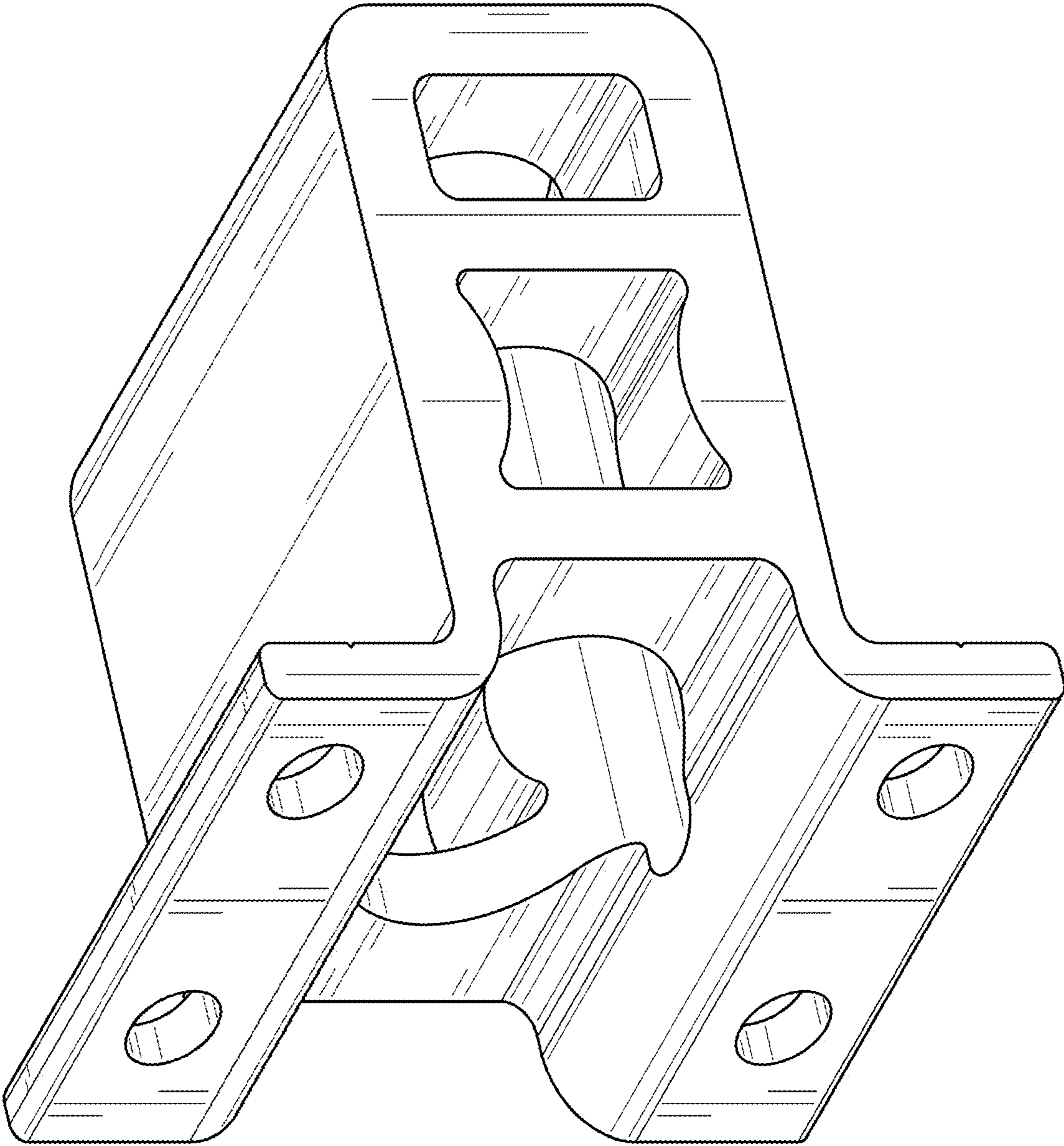


FIG. 1

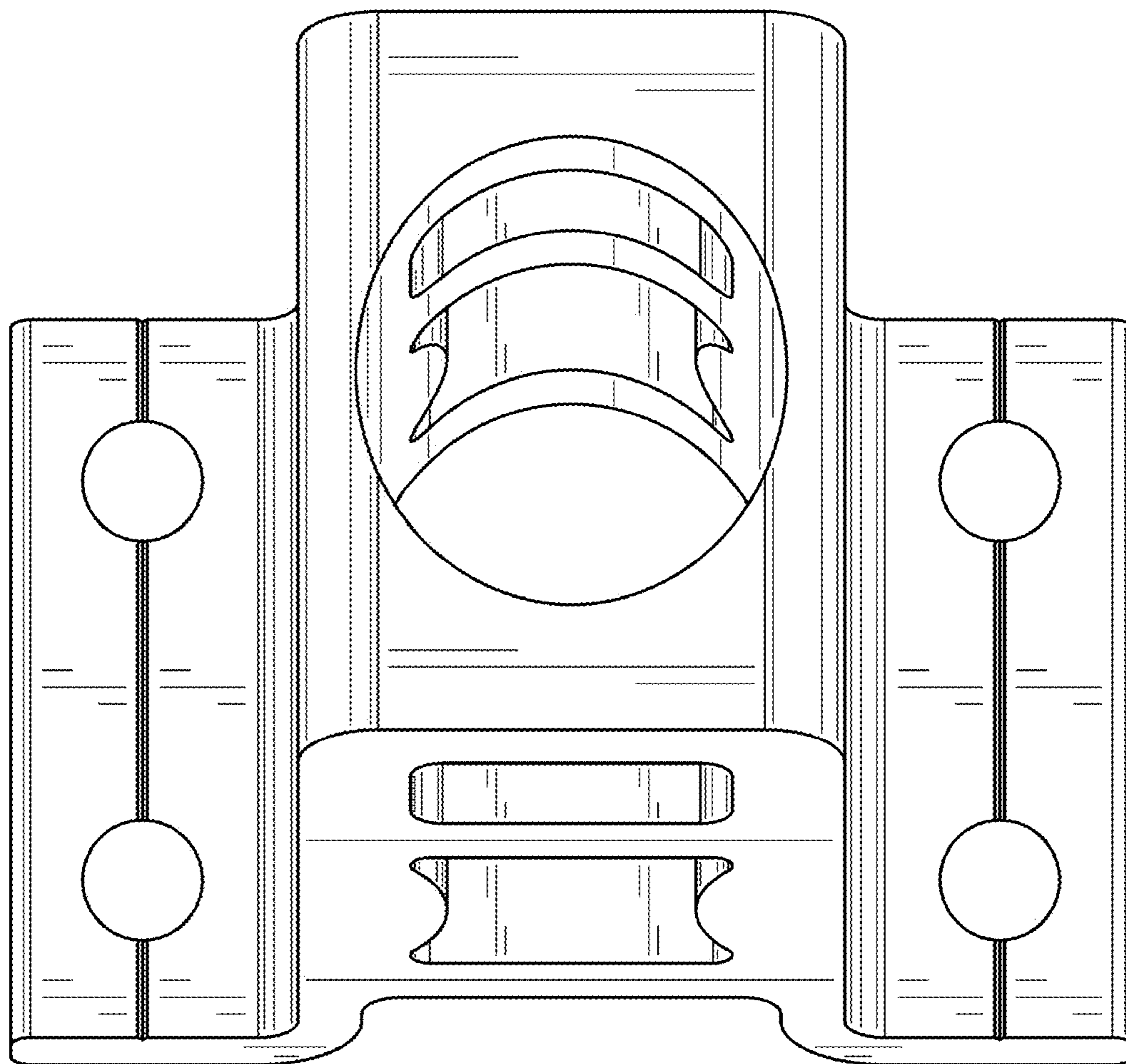


FIG. 2

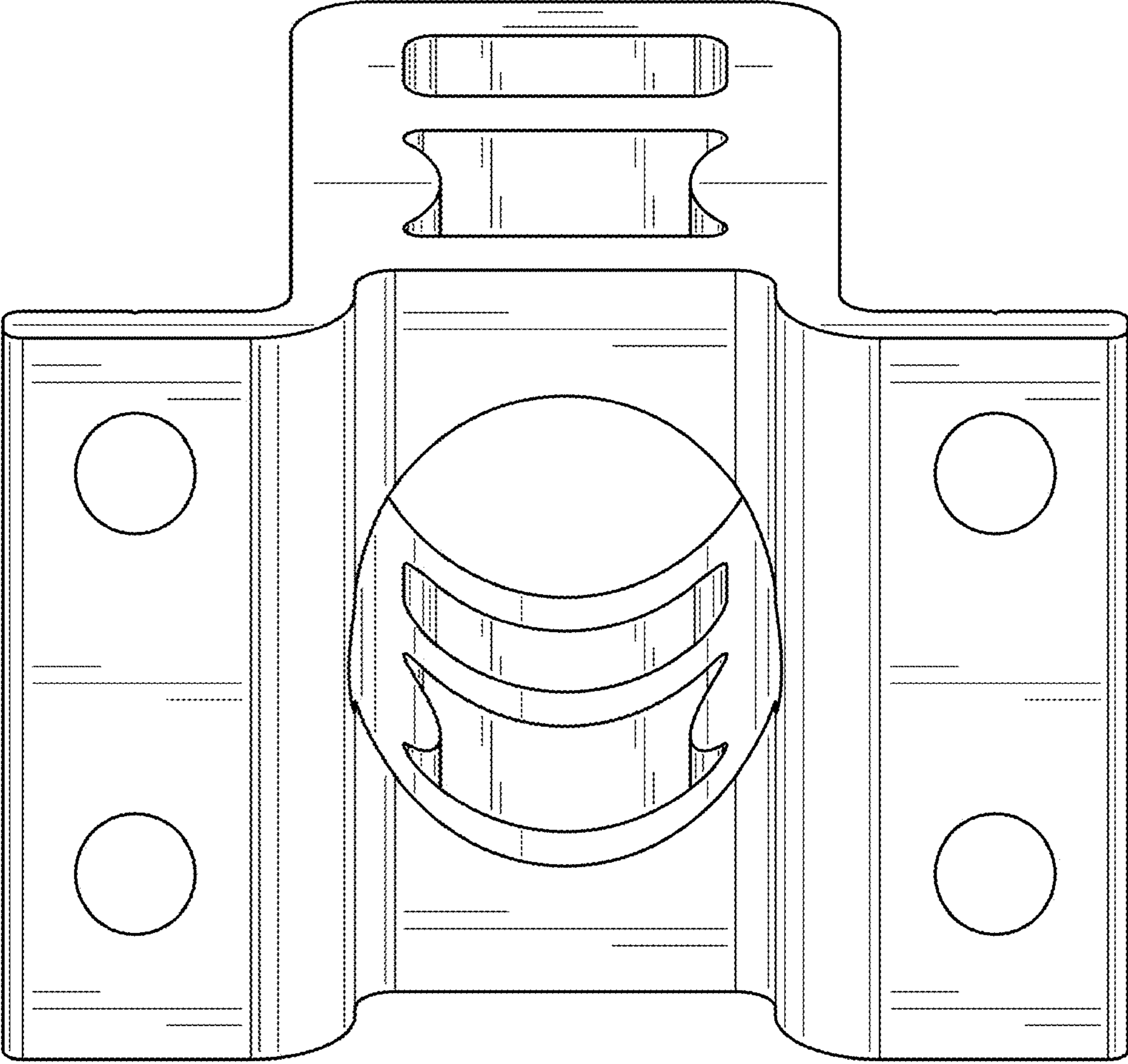


FIG. 3

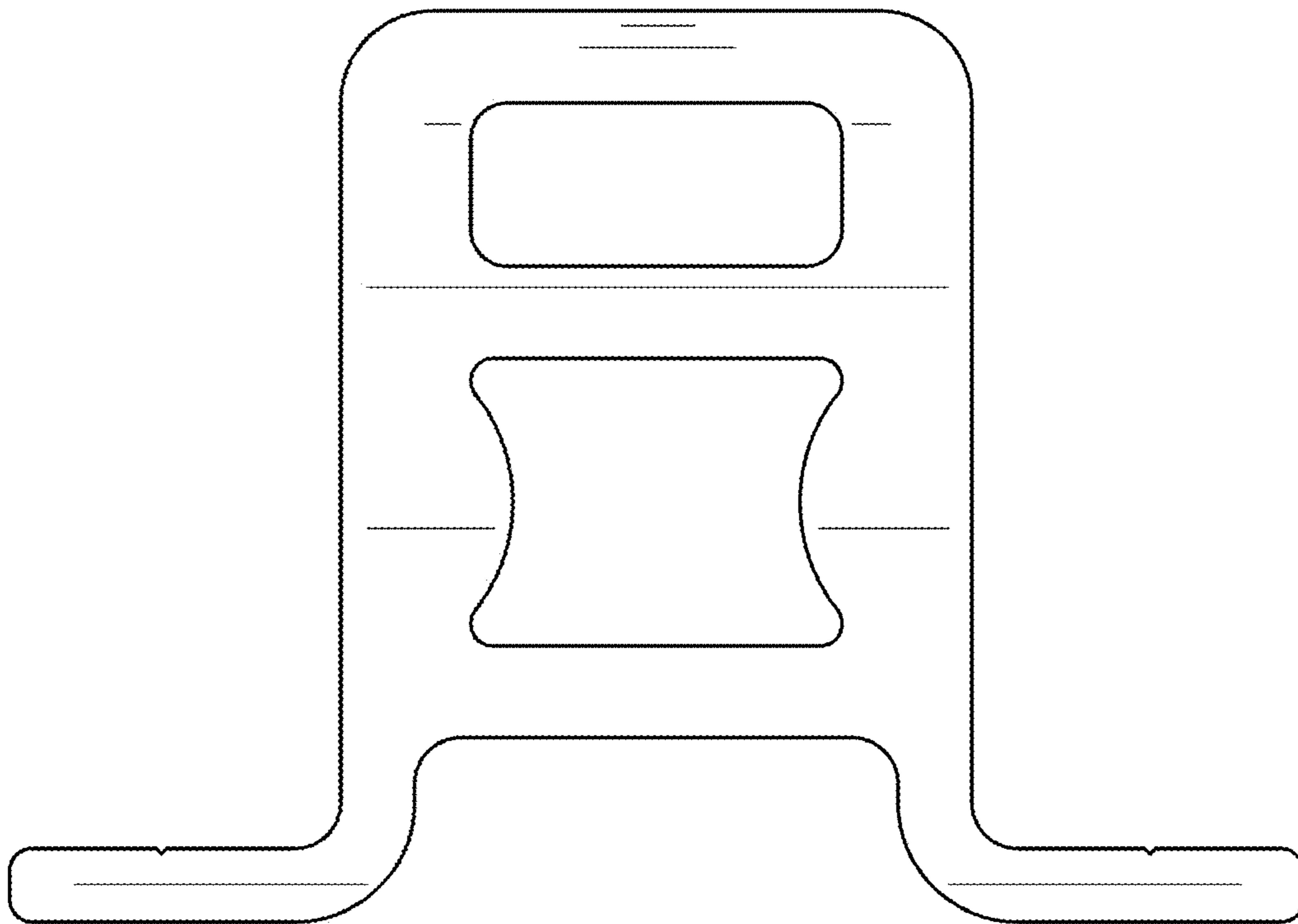


FIG. 4

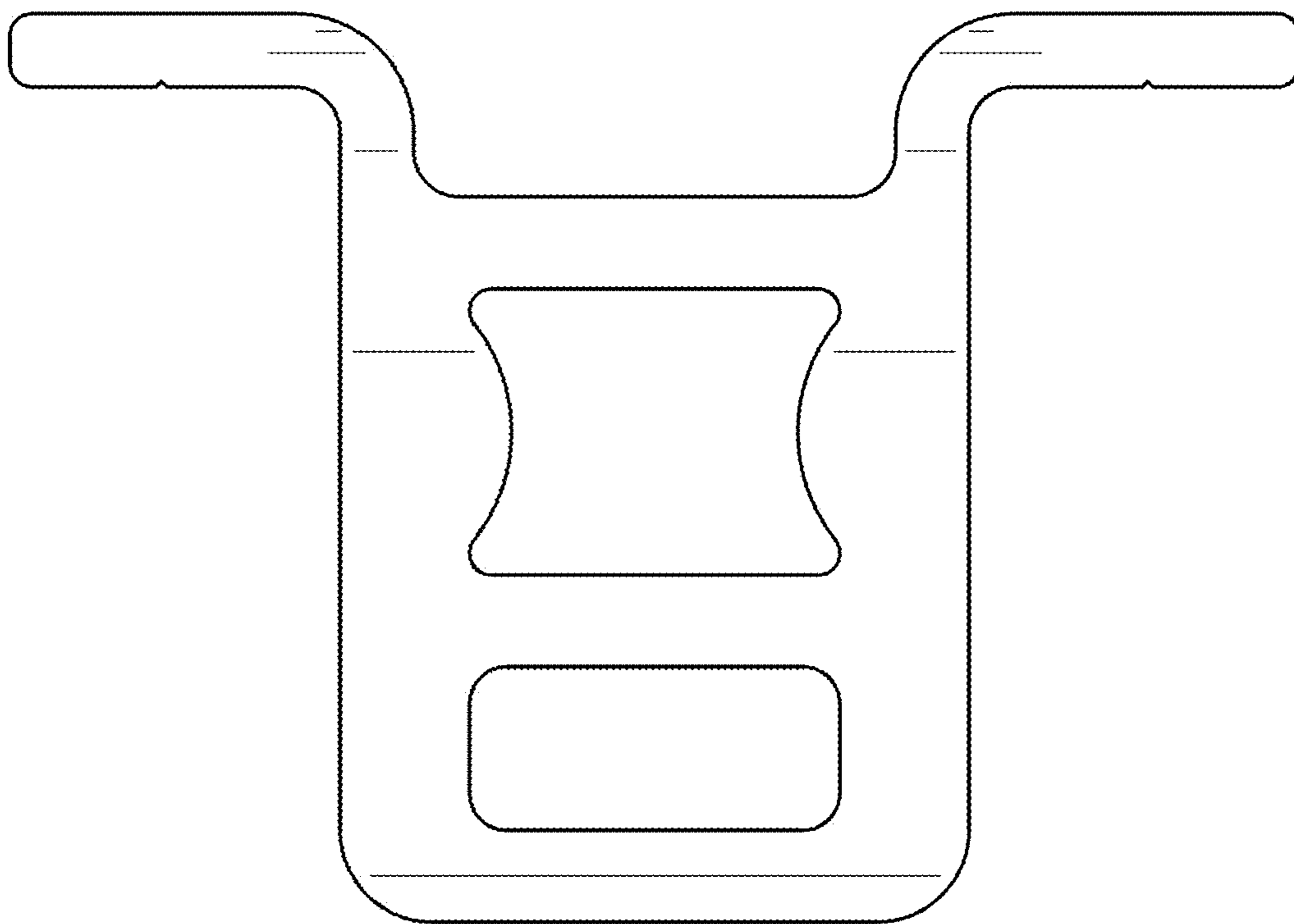


FIG. 5

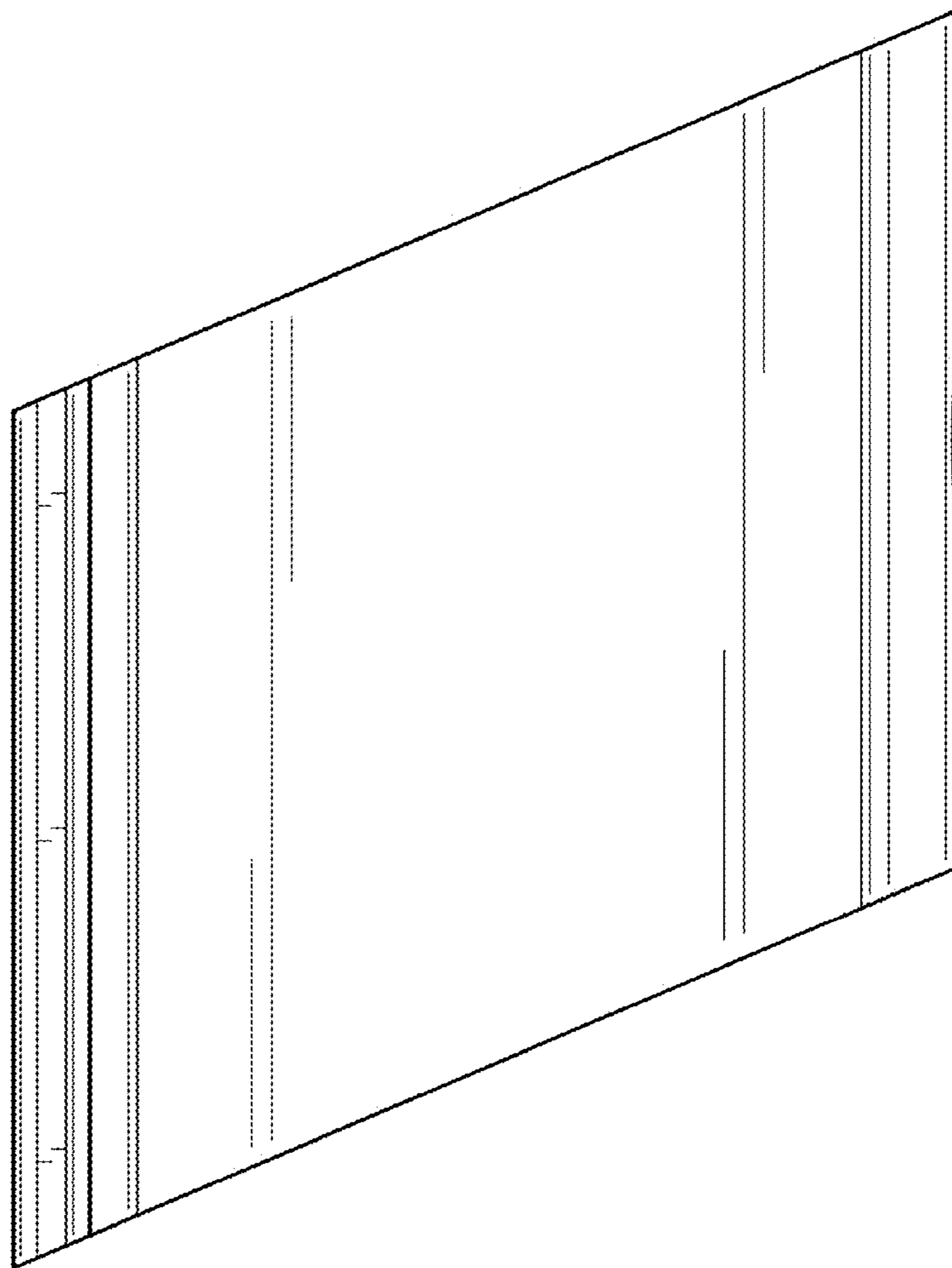


FIG. 6

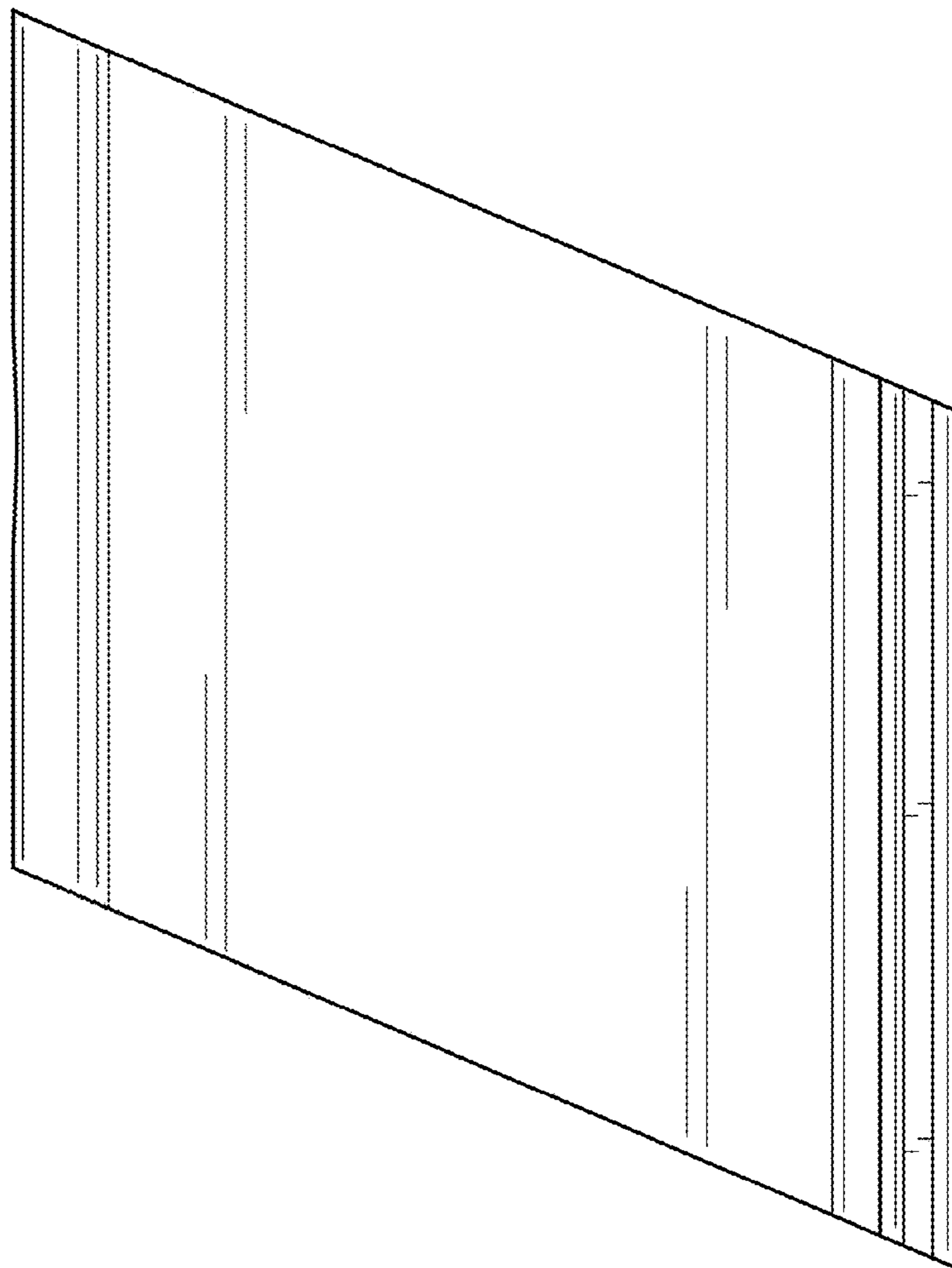


FIG. 7