



US00D904859S

(12) **United States Design Patent**  
**Mulvoy et al.**

(10) **Patent No.:** **US D904,859 S**  
(45) **Date of Patent:** **\*\* Dec. 15, 2020**

(54) **HIGH DRAIN LOOP BRACKET**

FOREIGN PATENT DOCUMENTS

(71) Applicant: **M-R Products, Inc.**, Copemish, MI (US)

EP 2647753 A1 10/2013  
GB 2522337 A 7/2015

(72) Inventors: **Maree Mulvoy**, Copemish, MI (US);  
**Kirby Clifton Kornegay**, Bethesda, MD (US); **Dennis Stacey**, Copemish, MI (US)

OTHER PUBLICATIONS

(73) Assignee: **M-R PRODUCTS, INC.**, Copemish, MI (US)

High Drain Loop Bracket, posted at amazon.com, posting date Mar. 28, 2019, [online], [site visited Jul. 23, 2020]. Available from Internet, URL: <https://www.amazon.com/Drain-Water-Bracket-Dishwasher-Accessory/dp/B07Q57XFMB> (Year: 2019).\*

(\*\*) Term: **15 Years**

M R Products high drain loop bracket, posted at youtube.com, posting date Feb. 1, 2019, [online], [site visited Jul. 23, 2020]. Available from Internet, URL: <https://www.youtube.com/watch?v=V6uhJxLrMtY> (Year: 2019).\*

(21) Appl. No.: **29/679,684**

(Continued)

(22) Filed: **Feb. 8, 2019**

*Primary Examiner* — George D. Kirschbaum

(51) **LOC (12) Cl.** ..... **08-05**

*Assistant Examiner* — Maria J Edwards

(52) **U.S. Cl.**

(74) *Attorney, Agent, or Firm* — Fishman Stewart PLLC

USPC ..... **D8/354**

(58) **Field of Classification Search**

(57) **CLAIM**

USPC ..... D8/354

The ornamental design for a high drain loop bracket, as shown and described.

CPC ..... A47G 7/044; G09F 7/20

See application file for complete search history.

**DESCRIPTION**

(56) **References Cited**

U.S. PATENT DOCUMENTS

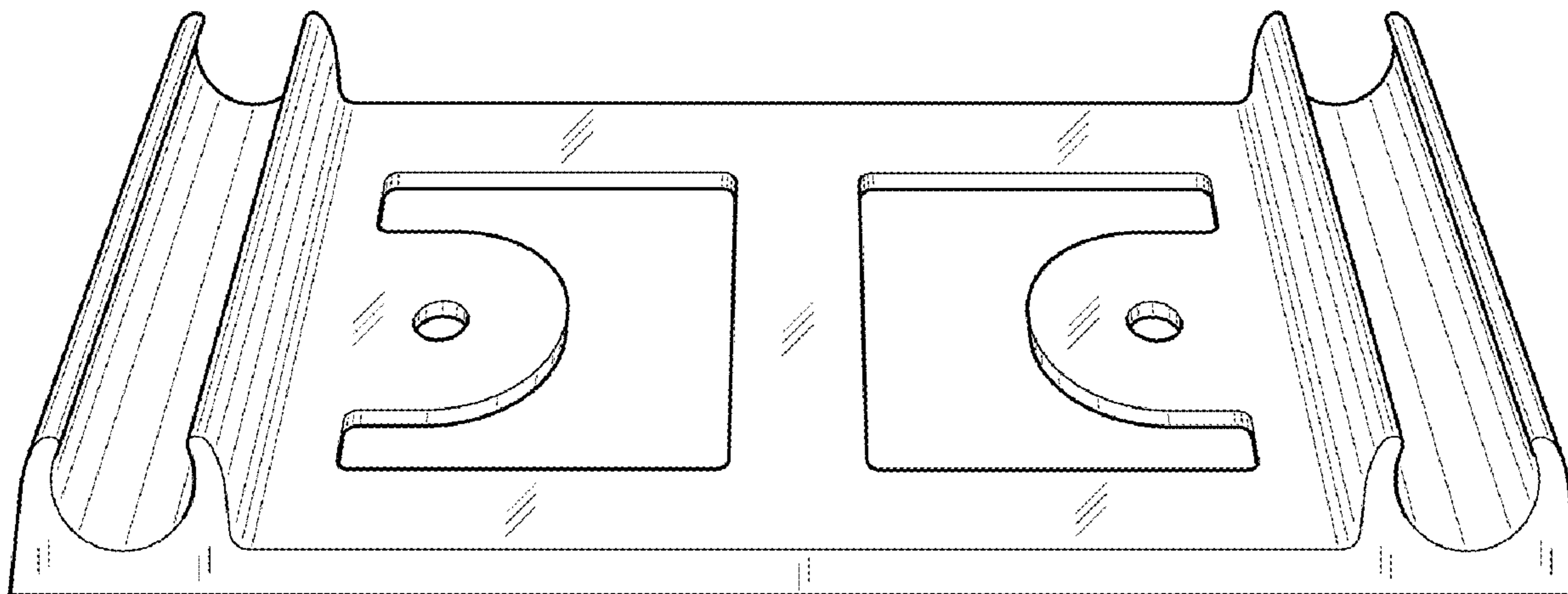
D263,903 S	4/1982	Johnston	
D462,601 S *	9/2002	Chaney	D25/119
6,883,761 B2	4/2005	Boon et al.	
8,807,151 B2	8/2014	Busing et al.	
D731,275 S *	6/2015	Hochman	D8/65
9,093,830 B2	7/2015	Krieg et al.	
D787,092 S *	5/2017	Singh	D25/119
9,750,391 B2	9/2017	Haltmayer et al.	
9,974,425 B2	5/2018	Sass	
10,001,227 B2	6/2018	Basesme	
D824,748 S *	8/2018	Needel	D8/354
D830,813 S *	10/2018	Garfinkle	D8/354

FIG. 1 is a top perspective view of a high drain loop bracket; FIG. 2 is a bottom perspective view of a high drain loop bracket;

FIG. 3 is front view of a high drain loop bracket; FIG. 4 is a rear view of a high drain loop bracket; FIG. 5 is a top view of a high drain loop bracket; FIG. 6 is a bottom view of a high drain loop bracket; FIG. 7 is a left side view of a high drain loop bracket; and, FIG. 8 is a right side view of a high drain loop bracket.

The broken lines depict portions of the high drain loop bracket that form no part of the claimed design.

**1 Claim, 5 Drawing Sheets**



(56)

**References Cited**

OTHER PUBLICATIONS

Supplying Demand WH41X10133 U Shape Drain Hose Guide, posted at amazon.com, posting date Jul. 16, 2019, [online], [site visited Jul. 23, 2020]. Available from Internet, URL: <https://www.amazon.com/Supplying-Demand-WH41X10133-Compatible-AH1021929/dp/B07VB55R9Z/> (Year: 2019).\*

\* cited by examiner

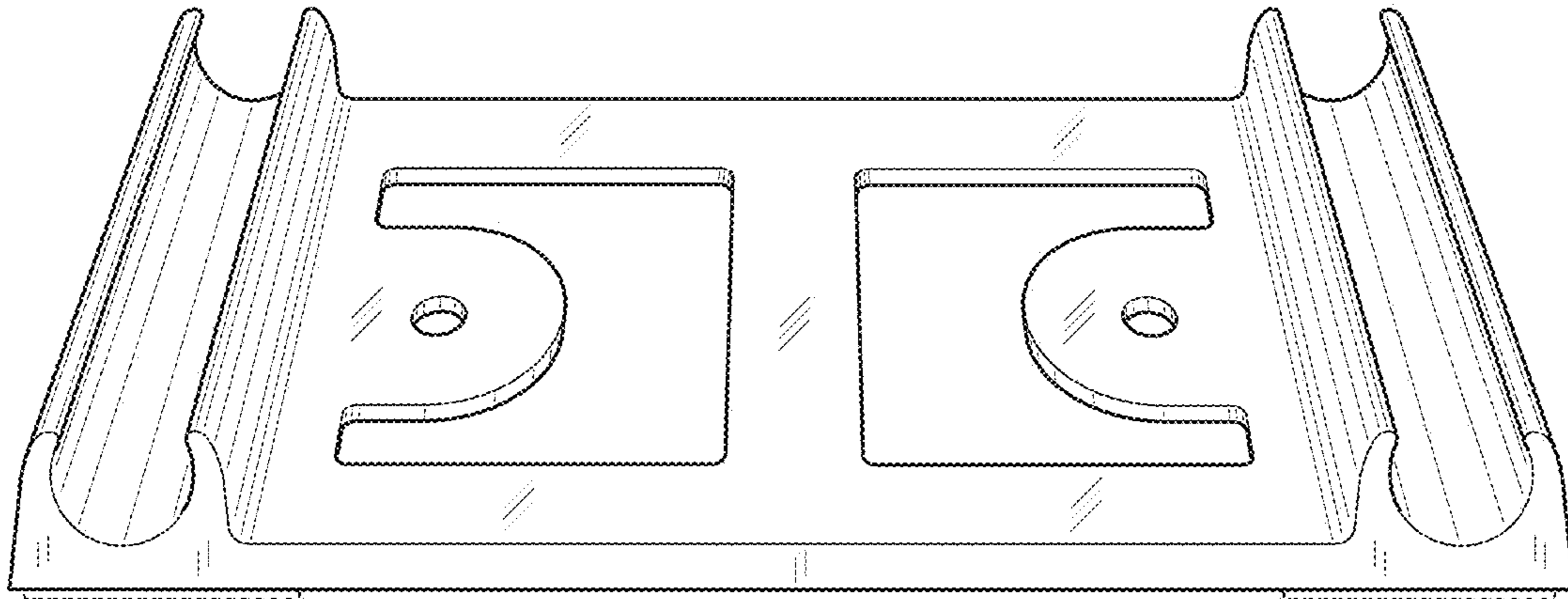


FIG. 1

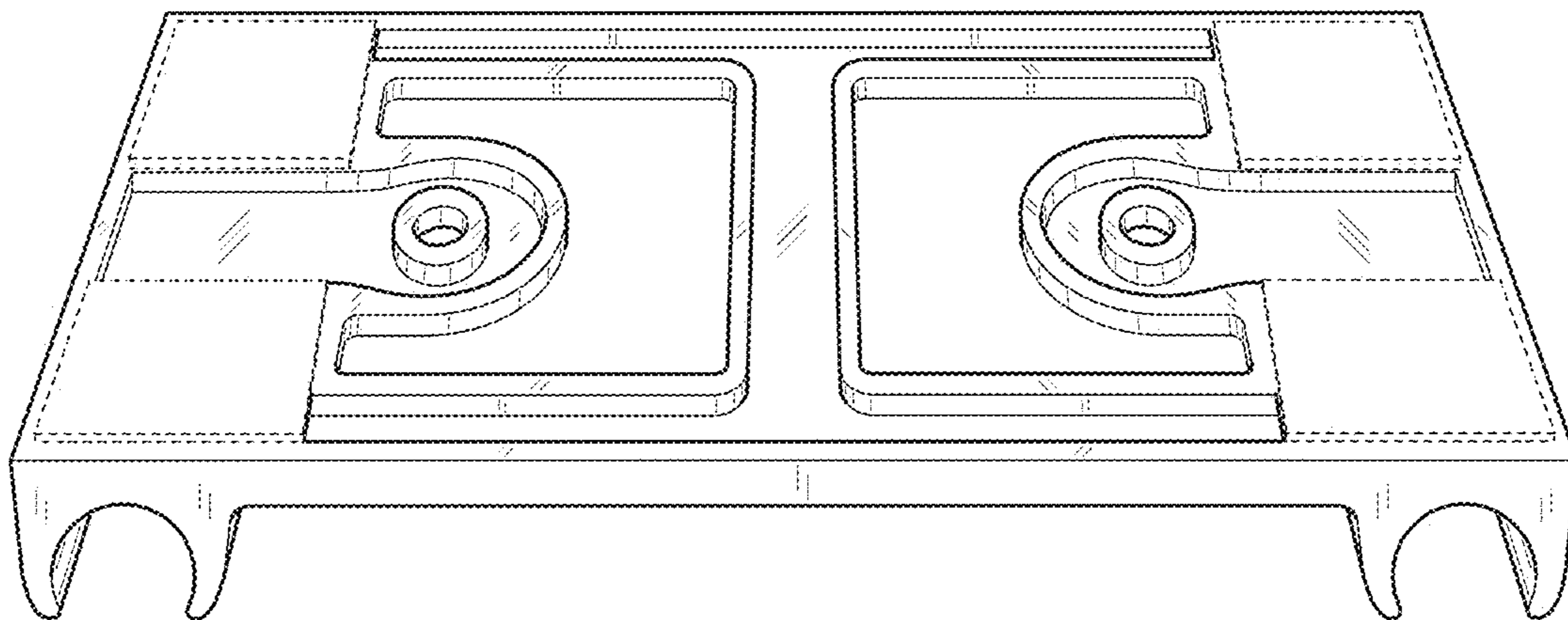
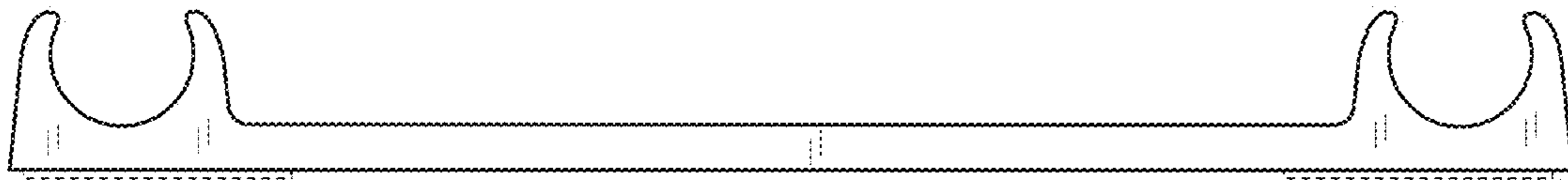
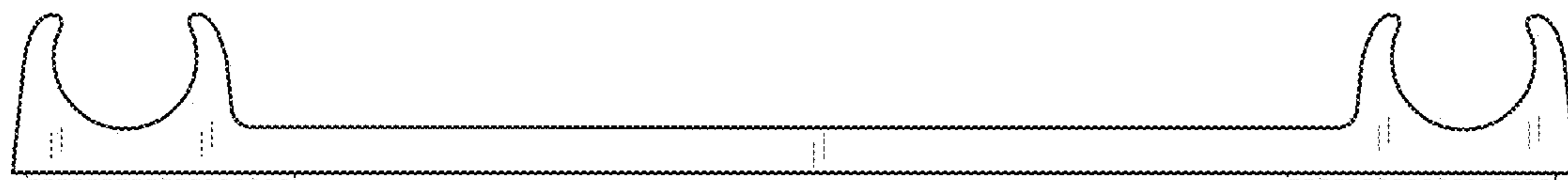


FIG. 2



*FIG. 3*



*FIG. 4*

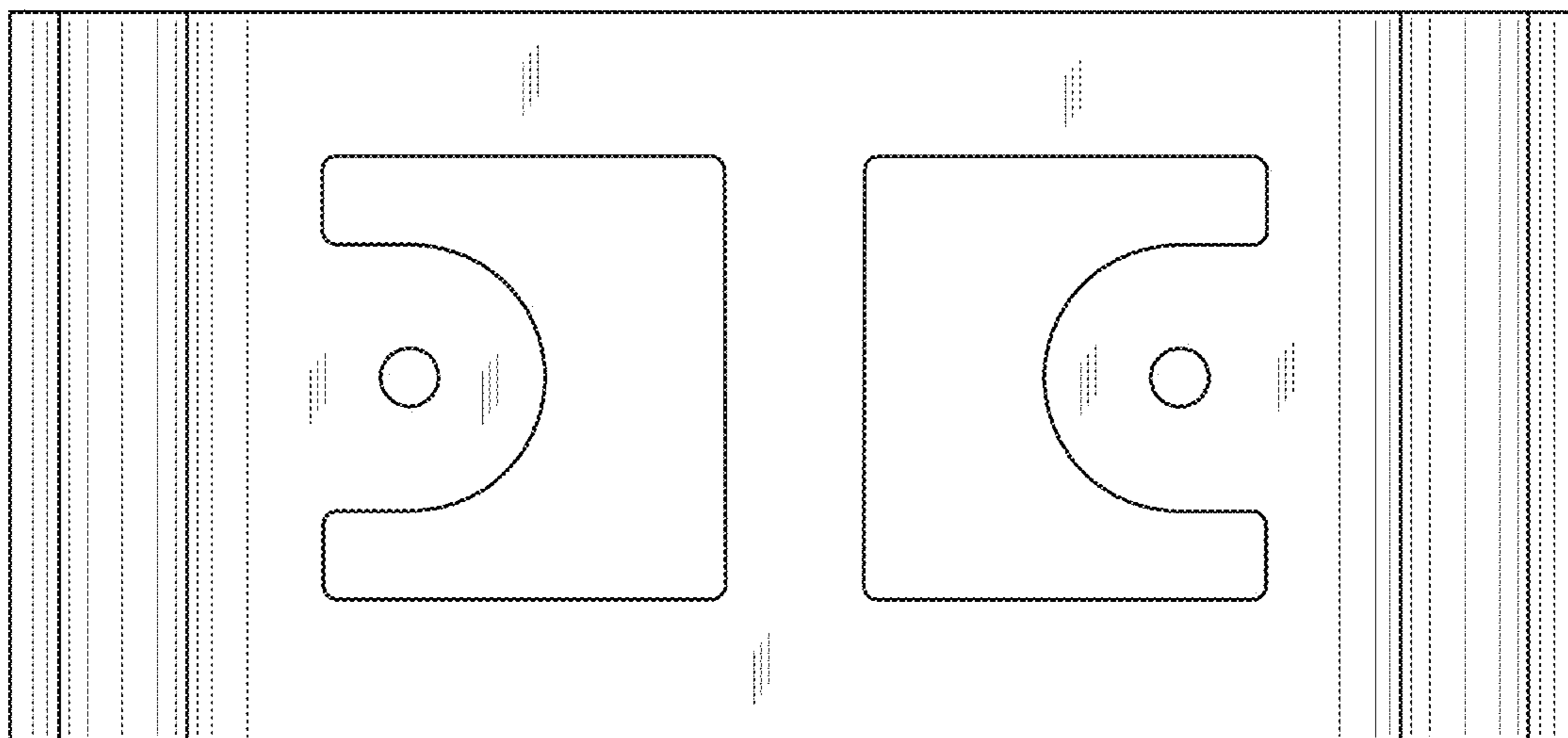


FIG. 5

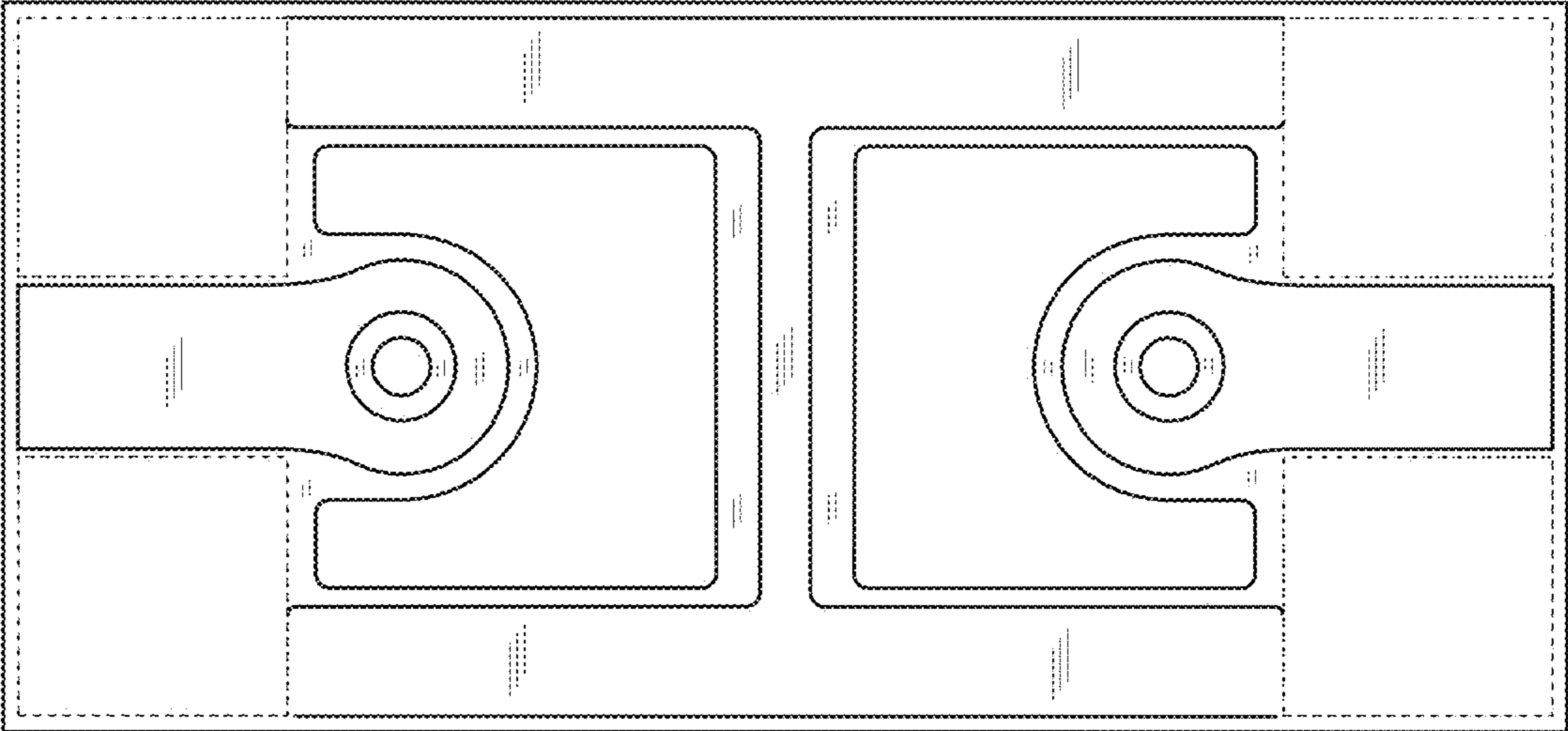
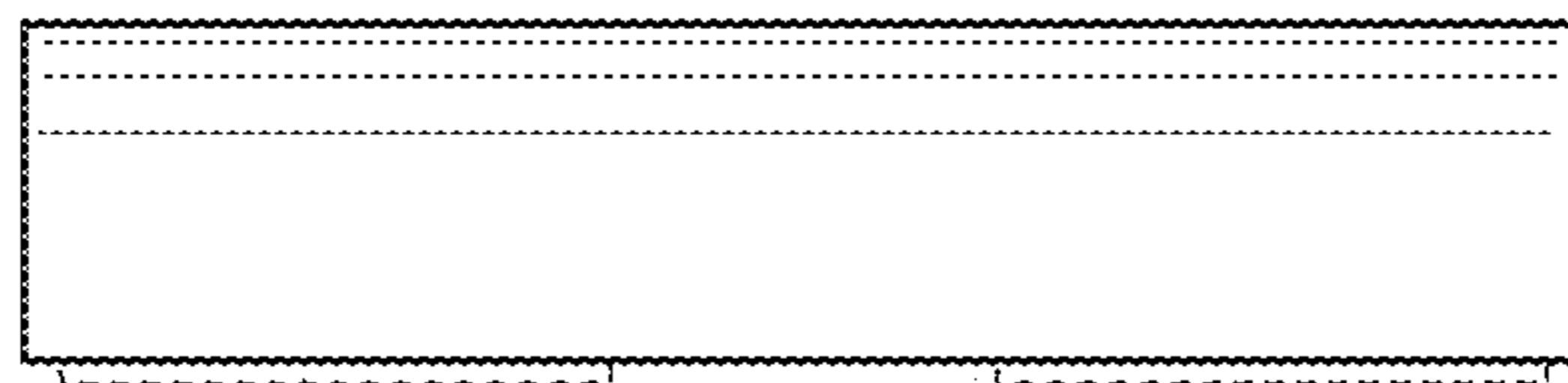
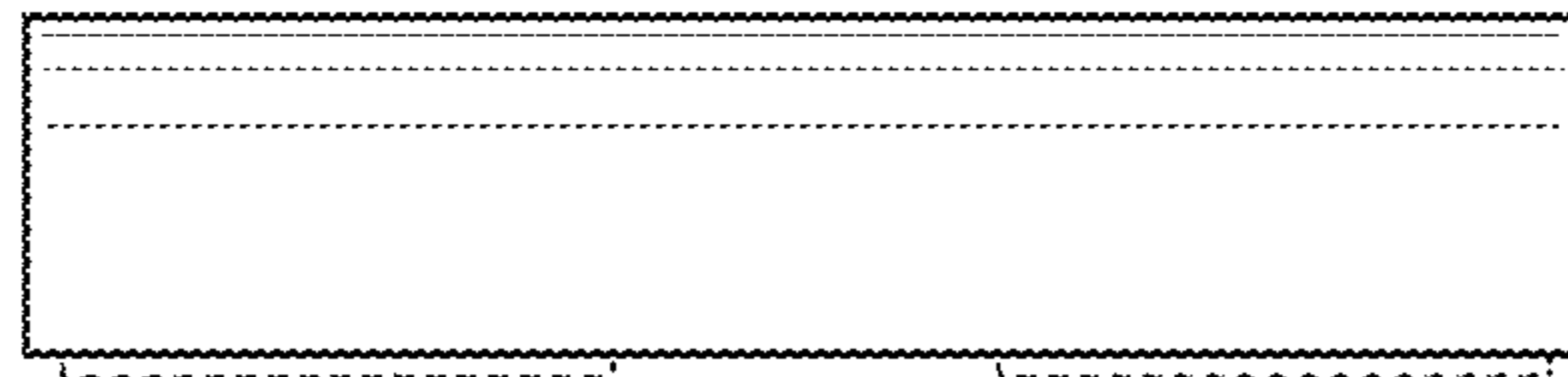


FIG. 6





*FIG. 7*



*FIG. 8*