



US00D904858S

(12) **United States Design Patent** (10) **Patent No.:** **US D904,858 S**
Zander (45) **Date of Patent:** **** Dec. 15, 2020**

- (54) **FASTENER**
- (71) Applicant: **ILLINOIS TOOL WORKS INC.,**
Glenview, IL (US)
- (72) Inventor: **Jason M. Zander,** Roberts, WI (US)
- (73) Assignee: **Illinois Tool Works Inc.,** Glenview, IL
(US)
- (**) Term: **15 Years**
- (21) Appl. No.: **29/705,225**
- (22) Filed: **Sep. 10, 2019**
- (51) **LOC (12) Cl.** **08-08**
- (52) **U.S. Cl.**
USPC **D8/349**
- (58) **Field of Classification Search**
USPC D8/349, 354, 382, 350-353, 355, 363,
D8/373-377; D11/200, 212, 218, 219,
D11/231, 234, 87; D14/217, 239
CPC ... F16C 11/0695; F16C 11/0604; F16C 11/06;
F16C 11/0685; F16M 2200/024; F16B
5/0657; F16B 5/0664; F16B 21/09; F16B
45/00; H04B 1/3877; G06F 1/1632;
H04M 1/06
See application file for complete search history.

D589,332 S *	3/2009	Bevirt	D8/373
D716,637 S *	11/2014	McDonald	D8/354
D788,568 S *	6/2017	Karnani	D8/330
D885,866 S *	6/2020	Chapman	D8/349
D891,904 S *	8/2020	Naugler	D8/349
D892,598 S *	8/2020	Gebhardt	D8/354

OTHER PUBLICATIONS

“One-Way” screw from Tamperproof. http://www.tamperproof.com/products/one_way/, accessed Aug. 12, 2019.

* cited by examiner

Primary Examiner — Mark A Goodwin
Assistant Examiner — Benjamin M Weeks
(74) *Attorney, Agent, or Firm* — Quarles & Brady LLP

(57) **CLAIM**

The ornamental design for a fastener, as shown and described.

DESCRIPTION

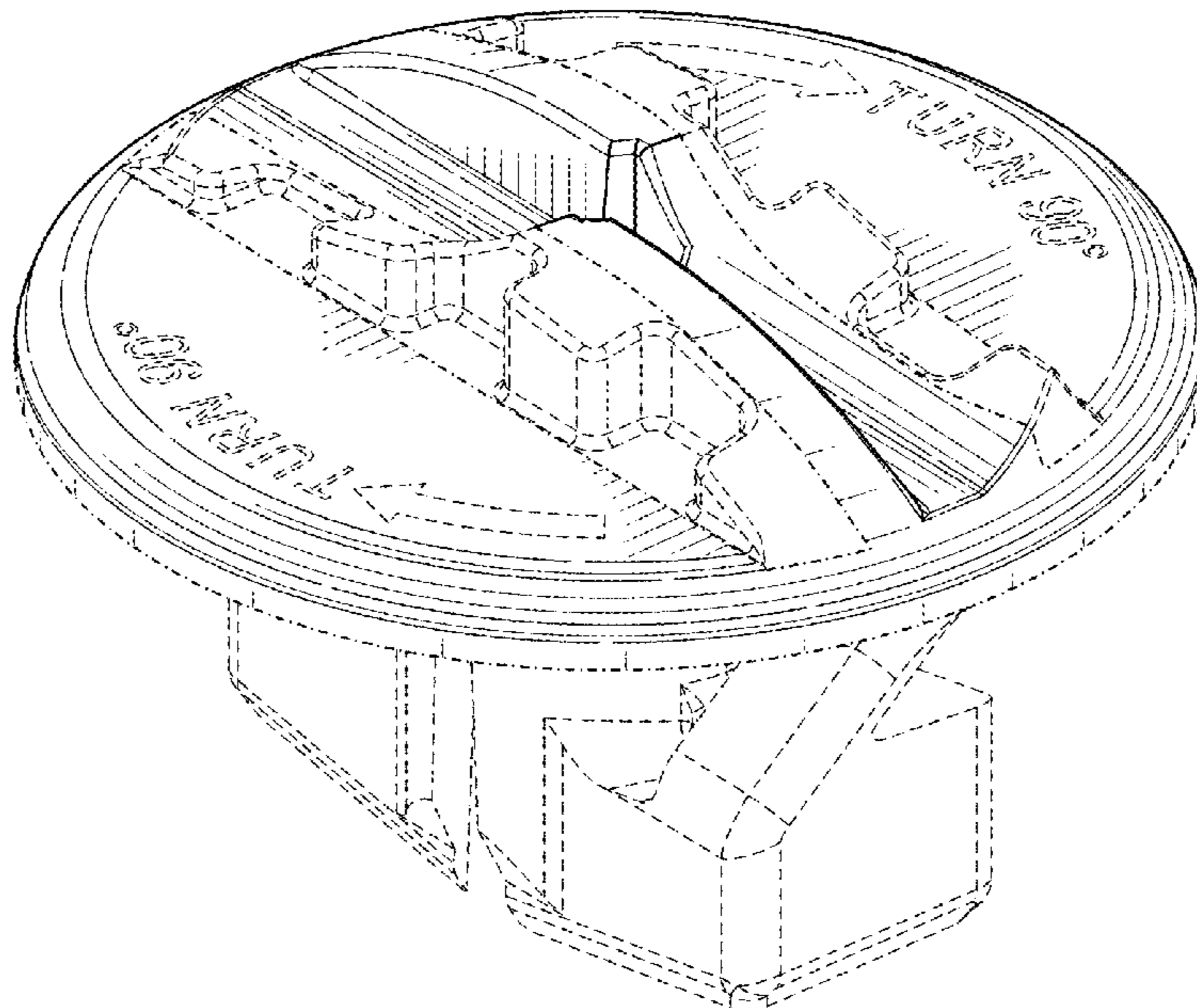
FIG. 1 is an isometric view of a top, front, and right side of an ornamental design for a fastener;
FIG. 2 is an isometric view of a bottom, front, and right side of the fastener of FIG. 1;
FIG. 3 is a front elevational view of the fastener of FIG. 1;
FIG. 4 is a rear elevational view of the fastener of FIG. 1;
FIG. 5 is a right side elevational view of the fastener of FIG. 1;
FIG. 6 is a left side elevational view of the fastener of FIG. 1;
FIG. 7 is a top plan view of the fastener of FIG. 1; and,
FIG. 8 is a bottom plan view of the fastener of FIG. 1.
The dash-dash-dash-dash lines are included for the purpose of illustrating portions of the fastener that form no part of the claimed design. The dash-dot-dash lines depict boundary lines and form no part of the claimed design.

1 Claim, 5 Drawing Sheets

(56) **References Cited**

U.S. PATENT DOCUMENTS

1,956,963 A	5/1934	Salmen, Jr.	
D285,044 S *	8/1986	Mockett	D8/349
D286,147 S *	10/1986	Carlson	220/212.5
D409,894 S *	5/1999	McClurg	D8/349
D435,430 S *	12/2000	Valentz	D8/349
D437,770 S *	2/2001	Garske	D8/349
D483,245 S *	12/2003	Harris	D8/349
D570,202 S *	6/2008	Katoh	D8/382



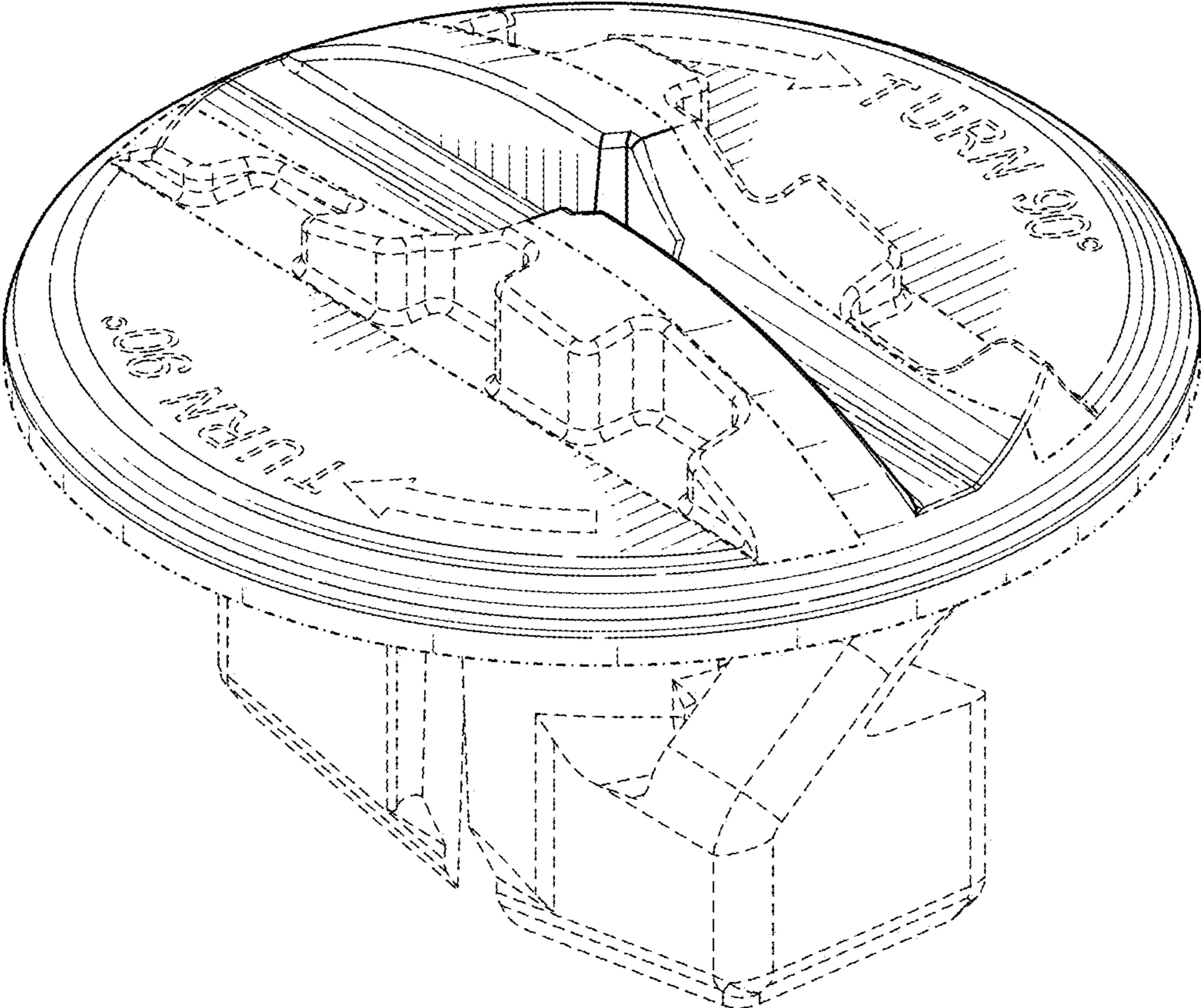


FIG. 1

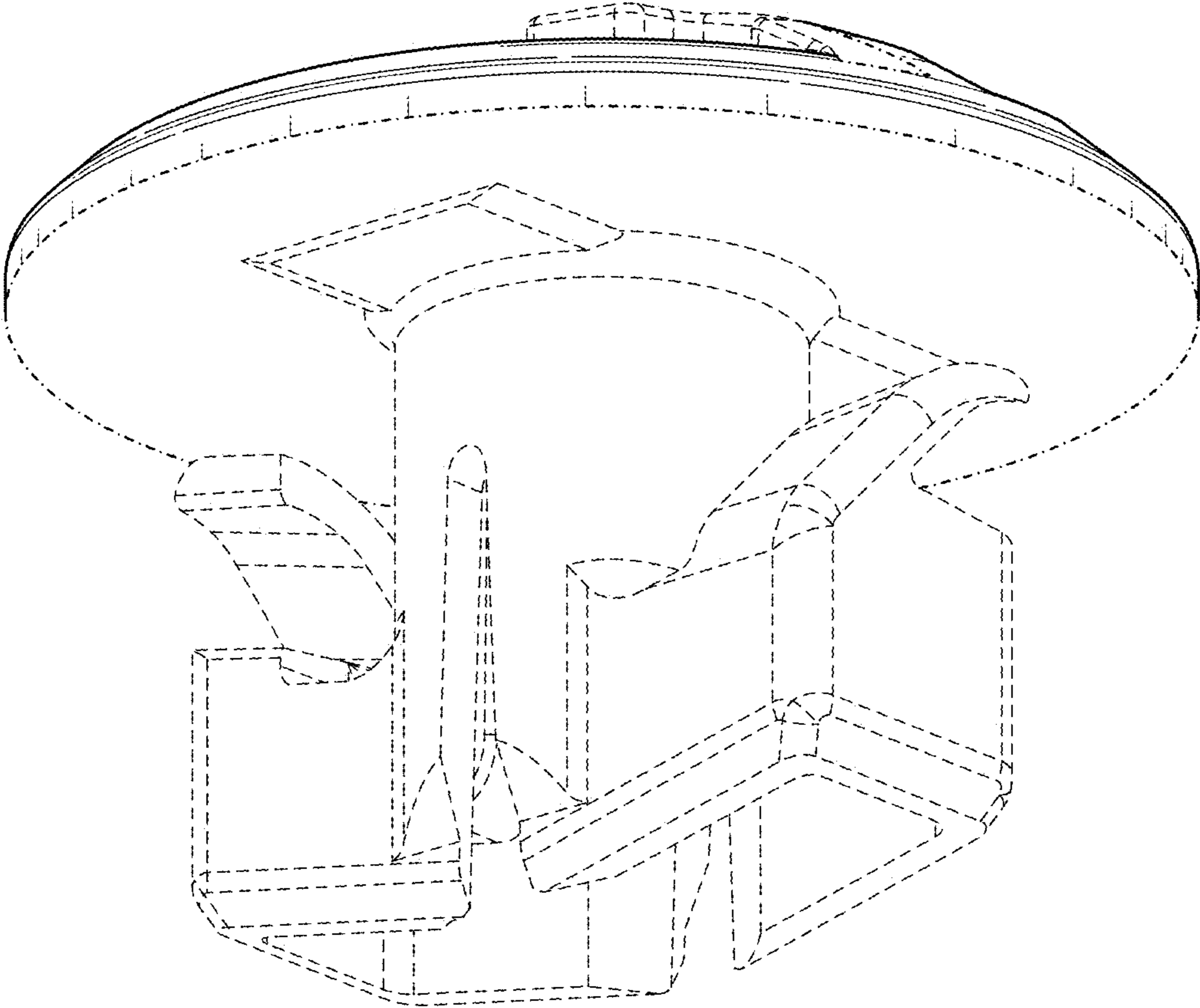


FIG. 2

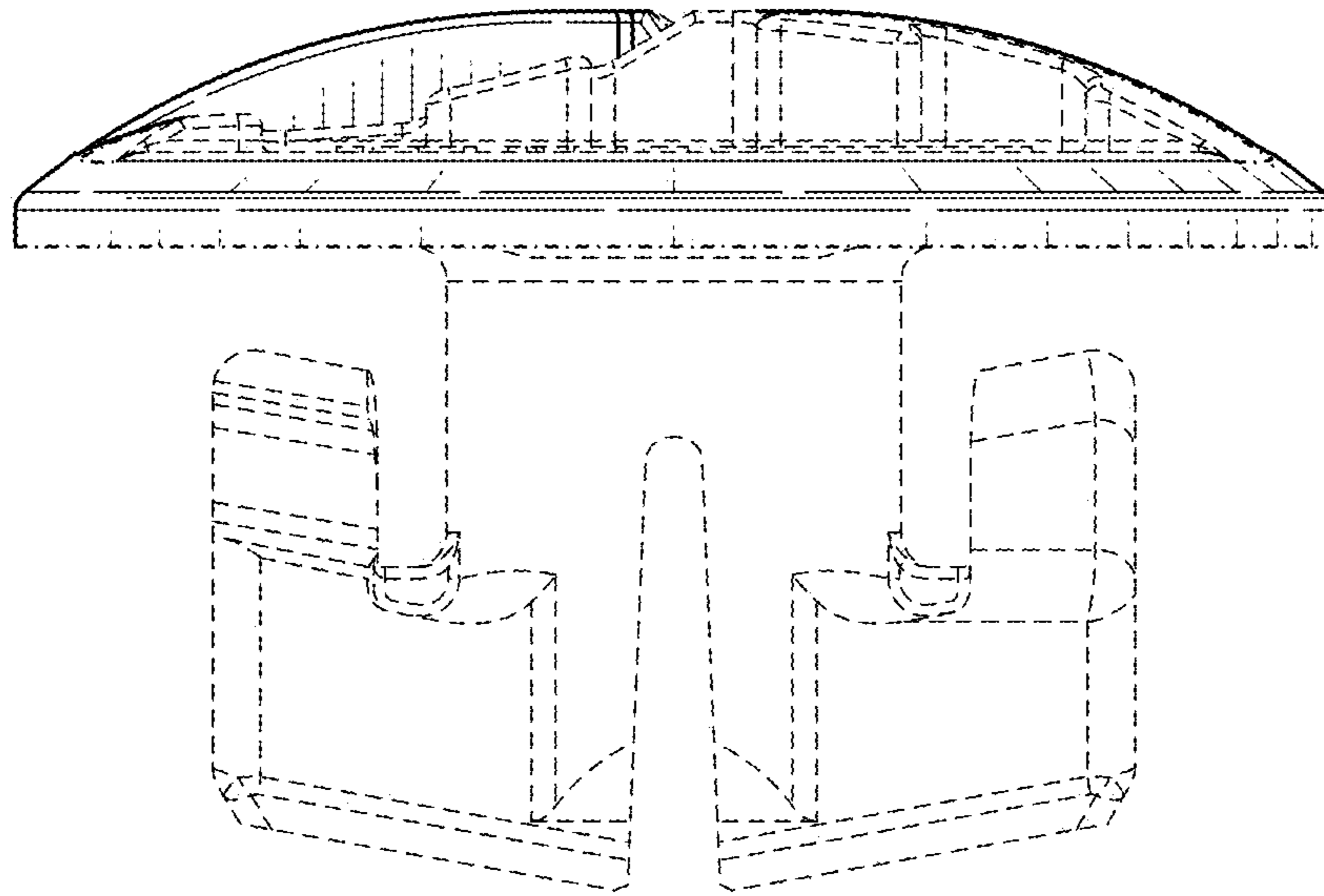


FIG. 3

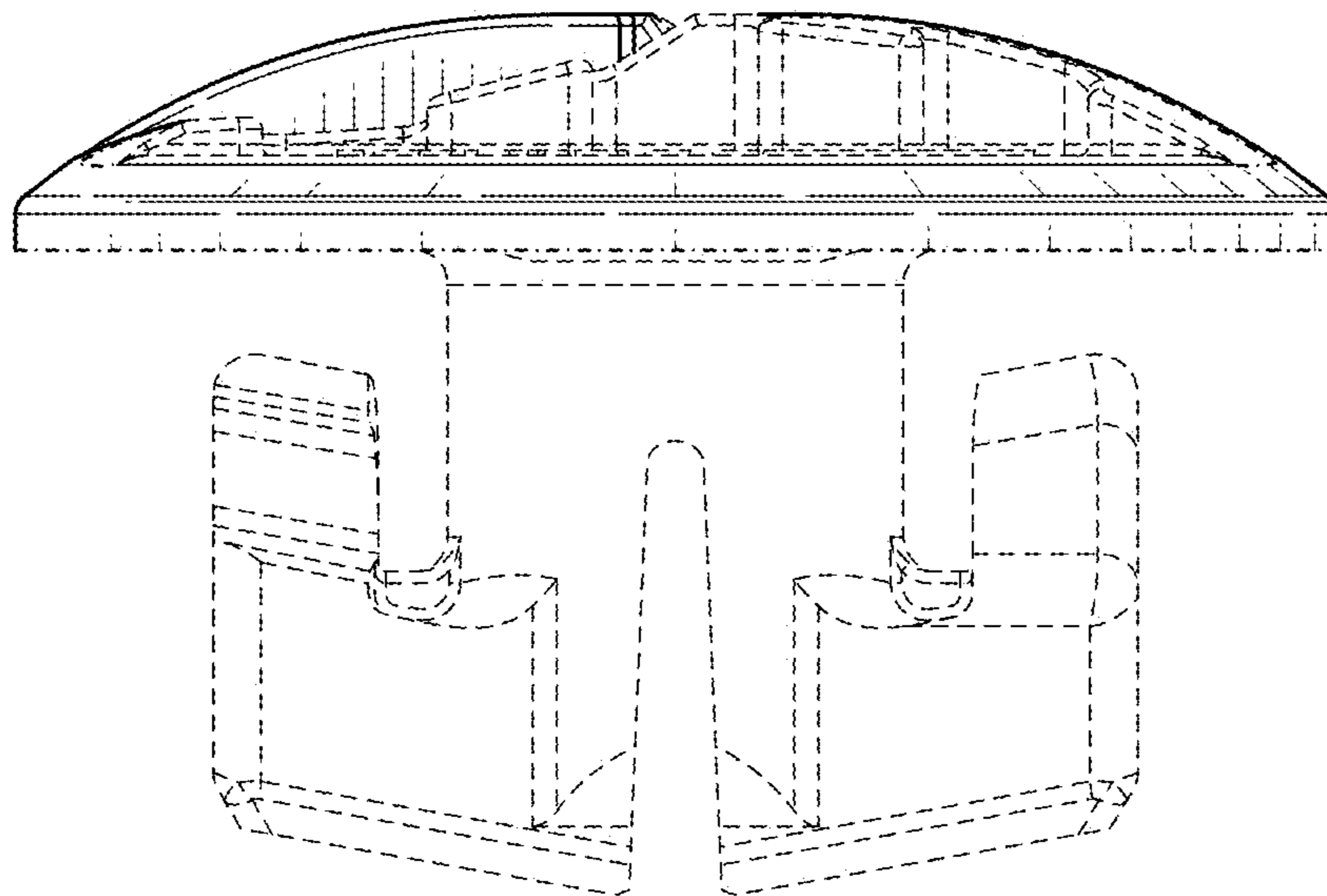


FIG. 4

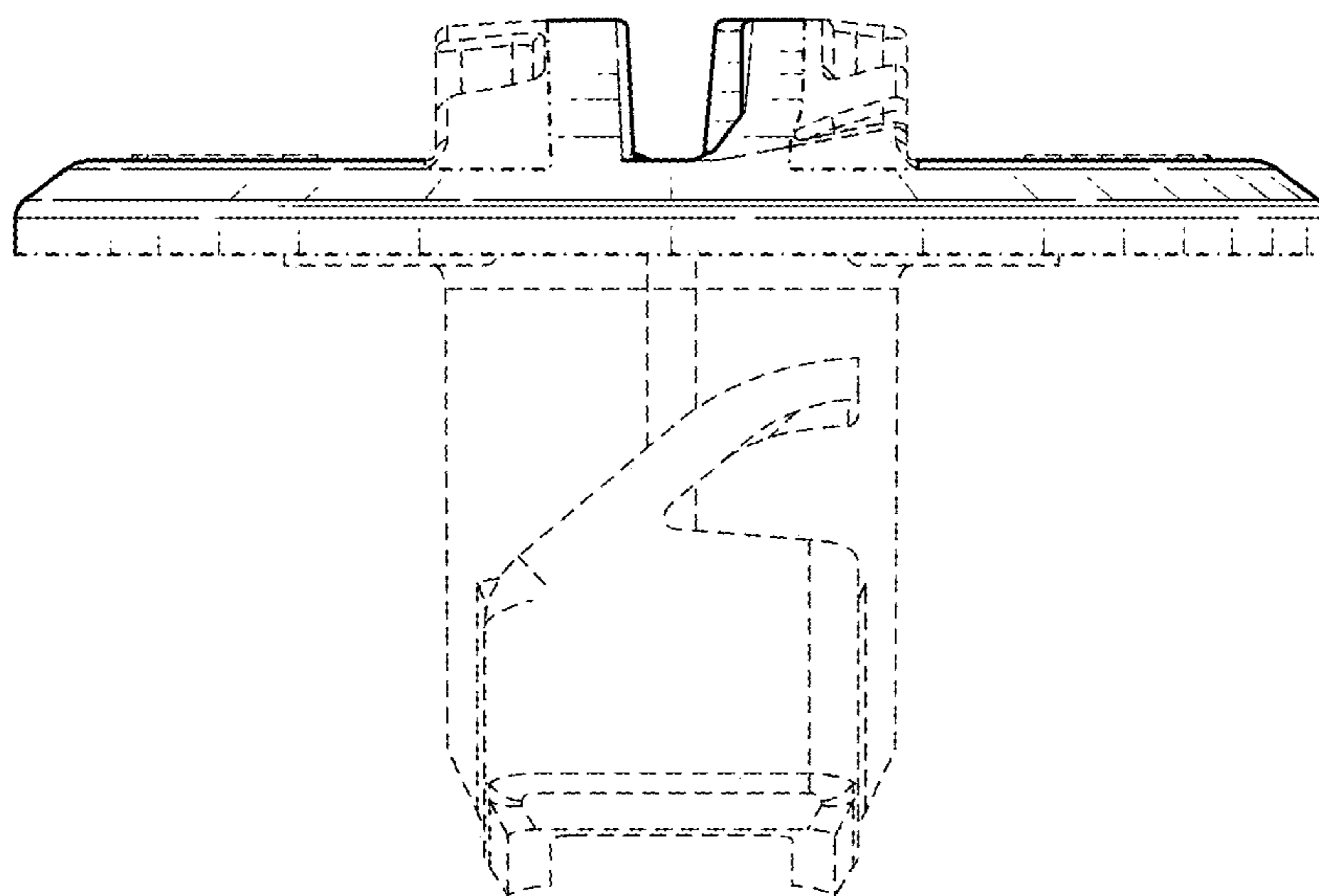


FIG. 5

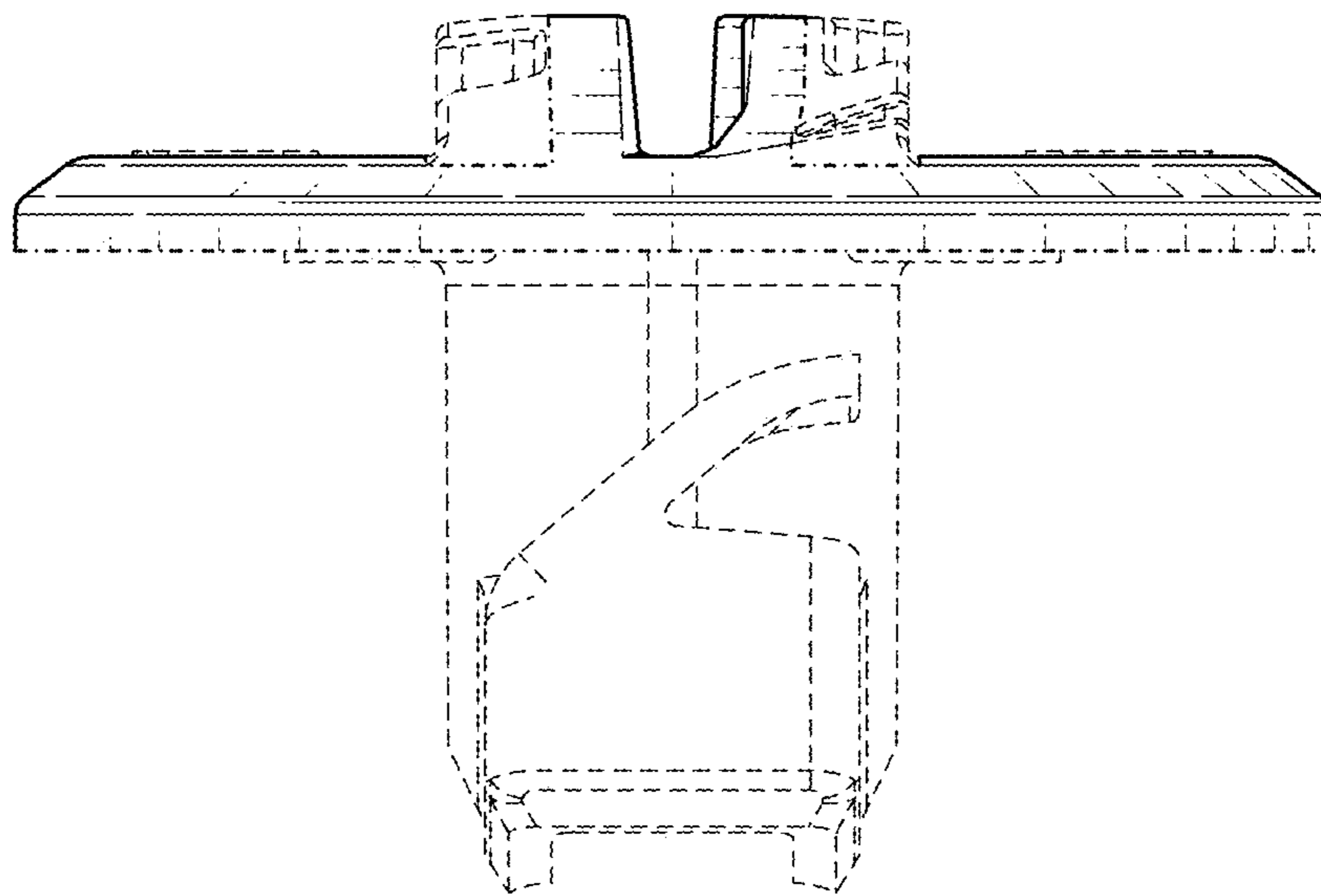


FIG. 6

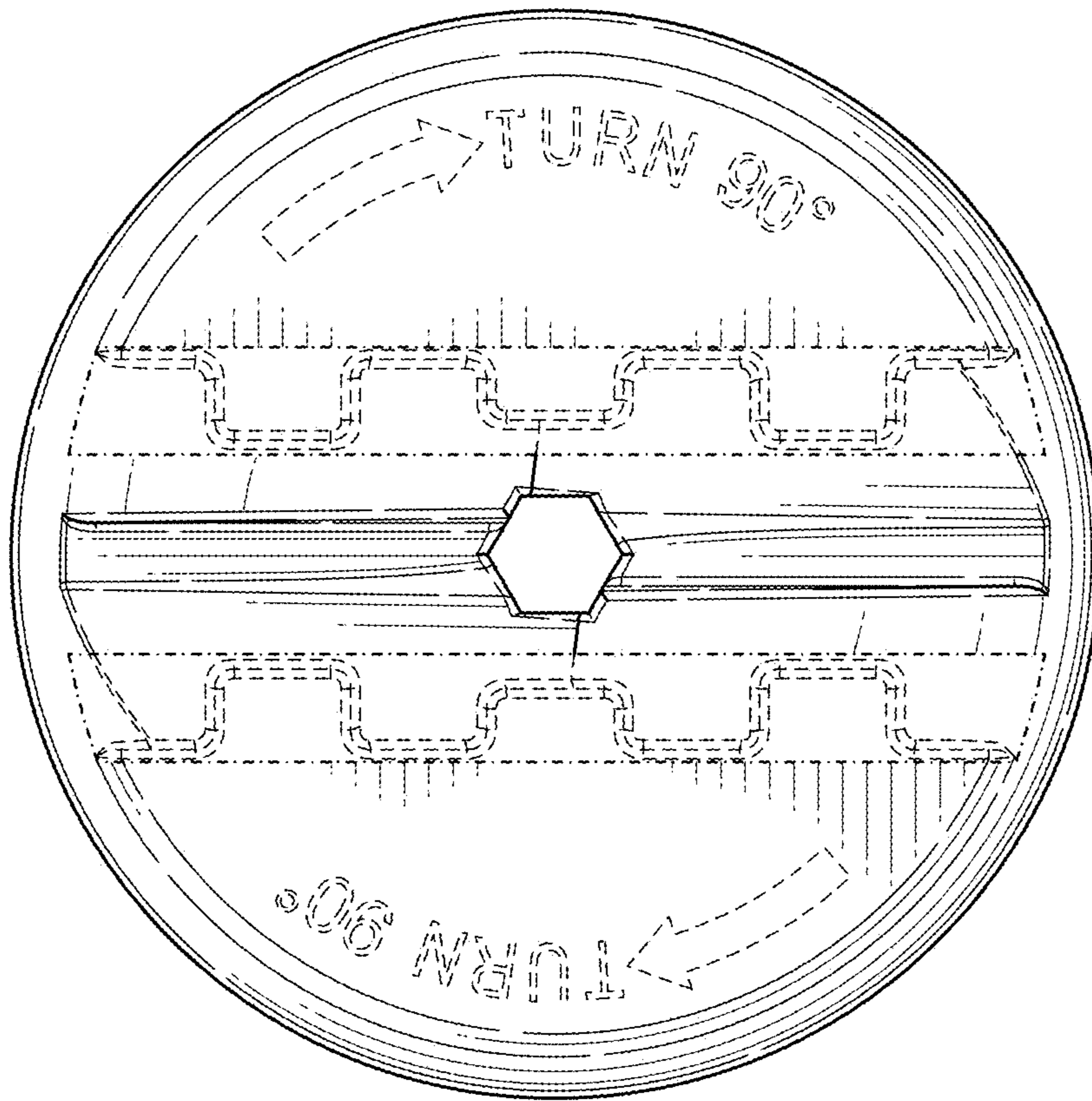


FIG. 7

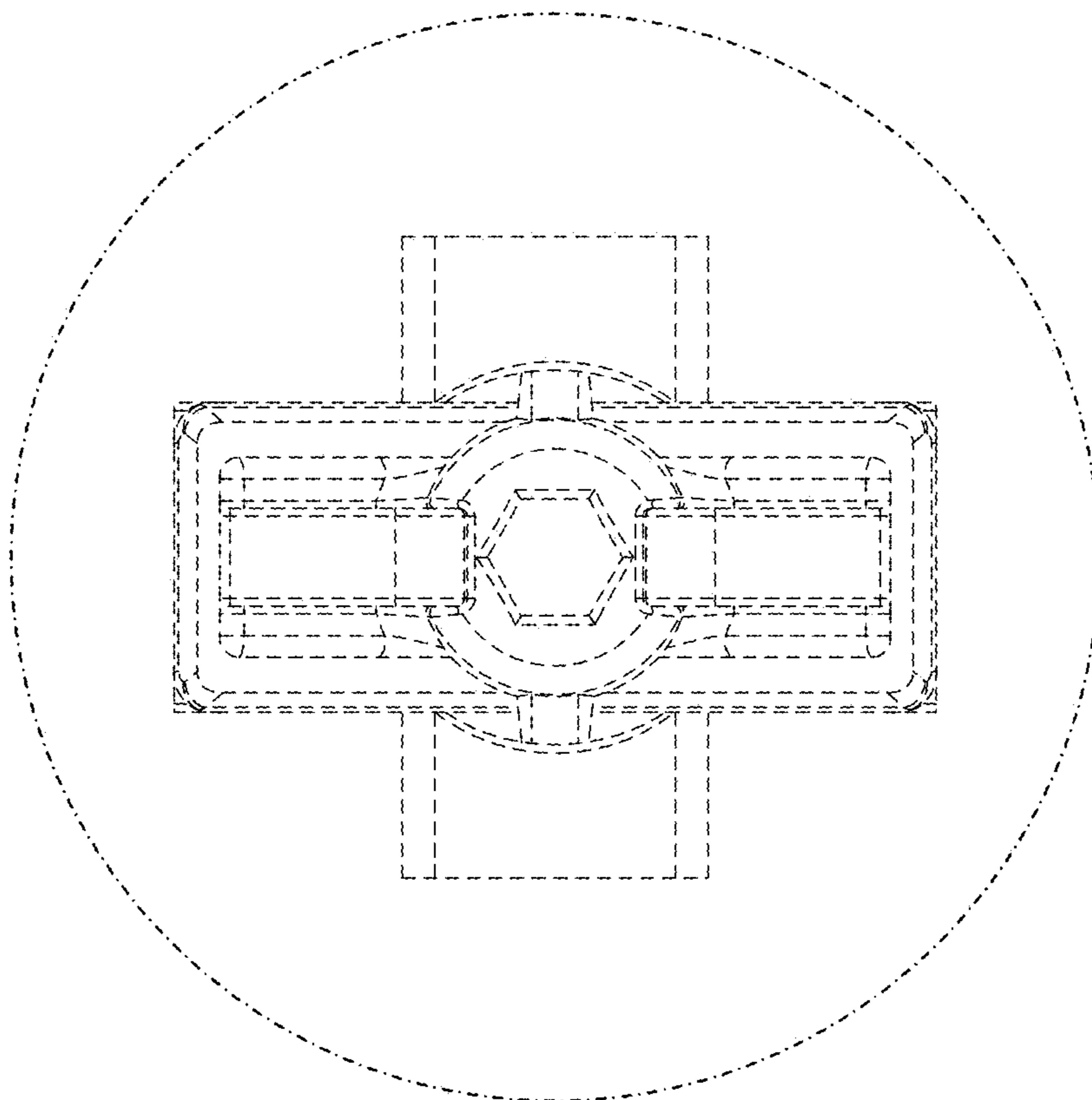


FIG. 8