



US00D904856S

(12) **United States Design Patent** (10) **Patent No.:** **US D904,856 S**
Molloy et al. (45) **Date of Patent:** **** Dec. 15, 2020**

(54) **WINDOW FASTENERS**

(71) Applicant: **ASSA ABLOY New Zealand Limited**,
North Shore (NZ)

(72) Inventors: **Bryce Alan Molloy**, Auckland (NZ);
Lewis Joseph Isaacson, Auckland (NZ)

(73) Assignee: **ASSA ABLOY New Zealand Limited**,
North Shore (NZ)

(**) Term: **15 Years**

(21) Appl. No.: **29/641,832**

(22) Filed: **Mar. 26, 2018**

(30) **Foreign Application Priority Data**

Sep. 28, 2017 (NZ) 423553

(51) **LOC (12) Cl.** **08-07**

(52) **U.S. Cl.**
USPC **D8/337**

(58) **Field of Classification Search**
USPC D8/337

CPC E05B 63/04; E05B 65/0025; E05C 3/06;
E05C 3/10; E05C 3/043; Y10T 292/0883;
Y10T 292/0857; Y10T 292/1041; Y10T
(Continued)

(56) **References Cited**

U.S. PATENT DOCUMENTS

5,092,640 A 3/1992 Plummer
5,219,193 A 6/1993 Piltingsrud
5,741,032 A 4/1998 Chaput
(Continued)

FOREIGN PATENT DOCUMENTS

AU 199062495 3/1991
AU 686089 1/1998
(Continued)

OTHER PUBLICATIONS

International Search Report and Written Opinion for International
(PCT) Patent Application No. PCT/NZ2016/050139, dated Jan. 3,
2017, 15 pages.

Primary Examiner — Doris Clark

(74) *Attorney, Agent, or Firm* — Sheridan Ross P.C.

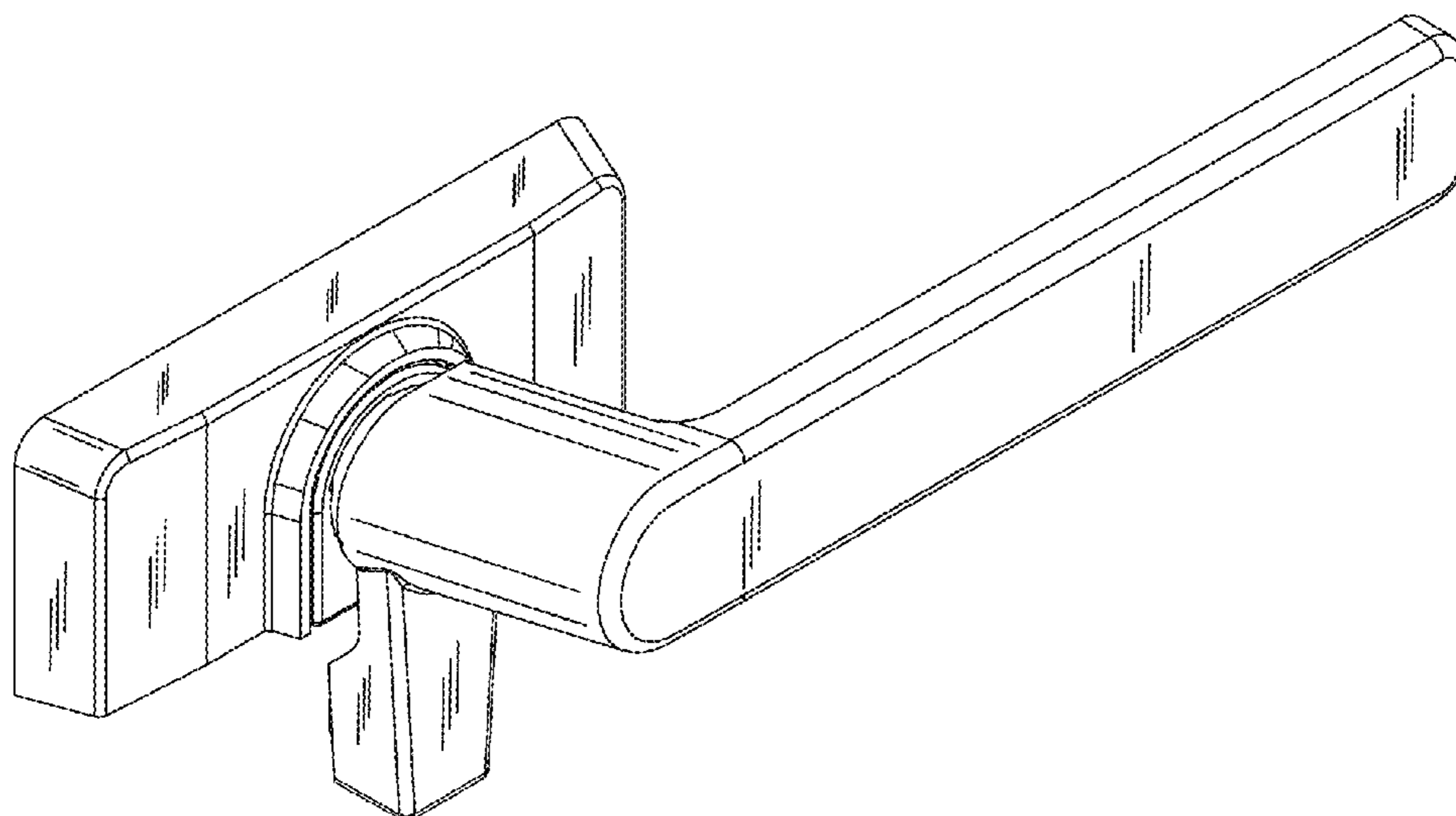
(57) **CLAIM**

The ornamental design for window fasteners, as shown and
described.

DESCRIPTION

FIG. 1 is a top left isometric view of a first embodiment of
a window fastener;
FIG. 2 is a top right isometric view of a first embodiment of
a window fastener;
FIG. 3 is a top left isometric rear view of a first embodiment
of a window fastener;
FIG. 4 is a top right isometric rear view of a first embodi-
ment of a window fastener;
FIG. 5 is a left side view of a first embodiment of a window
fastener;
FIG. 6 is a front view of a first embodiment of a window
fastener;
FIG. 7 is a right side view of a first embodiment of a window
fastener;
FIG. 8 is a back view of a first embodiment of a window
fastener;
FIG. 9 is a bottom view of a first embodiment of a window
fastener;
FIG. 10 is a bottom left isometric view of a first embodiment
of a window fastener;
FIG. 11 is a bottom right isometric view of a first embodi-
ment of a window fastener;
FIG. 12 is a bottom left isometric rear view of a first
embodiment of a window fastener; and,
FIG. 13 is a bottom right isometric rear view of a first
embodiment of a window fastener.

1 Claim, 13 Drawing Sheets



(58) **Field of Classification Search**

CPC ... 292/1043; Y10T 292/1039; Y10T 292/1077

See application file for complete search history.

(56) **References Cited**

U.S. PATENT DOCUMENTS

5,769,469	A	6/1998	Zemke	
5,927,771	A	7/1999	Simon et al.	
6,412,834	B1 *	7/2002	Waitai	E05C 3/10
				292/194
D572,112	S *	7/2008	Schlumbom	D8/337
9,157,902	B2 *	10/2015	Gore	G08B 13/08
2004/0026932	A1	2/2004	Coleman et al.	

FOREIGN PATENT DOCUMENTS

AU	778899	4/2001
CN	103953219	4/2016
EP	2362039	8/2011
GB	2282178	3/1995
NZ	243644	6/1995
NZ	243800	7/1995
NZ	333644	1/2000
NZ	336517	3/2001
NZ	500423	3/2002
NZ	522958	1/2004
NZ	533304	11/2006
NZ	534607	1/2007
NZ	554172	11/2008
NZ	725299	4/2017
NZ	718764	10/2017
WO	WO 2008/118028	10/2008
WO	WO 2017/048133	3/2017

* cited by examiner

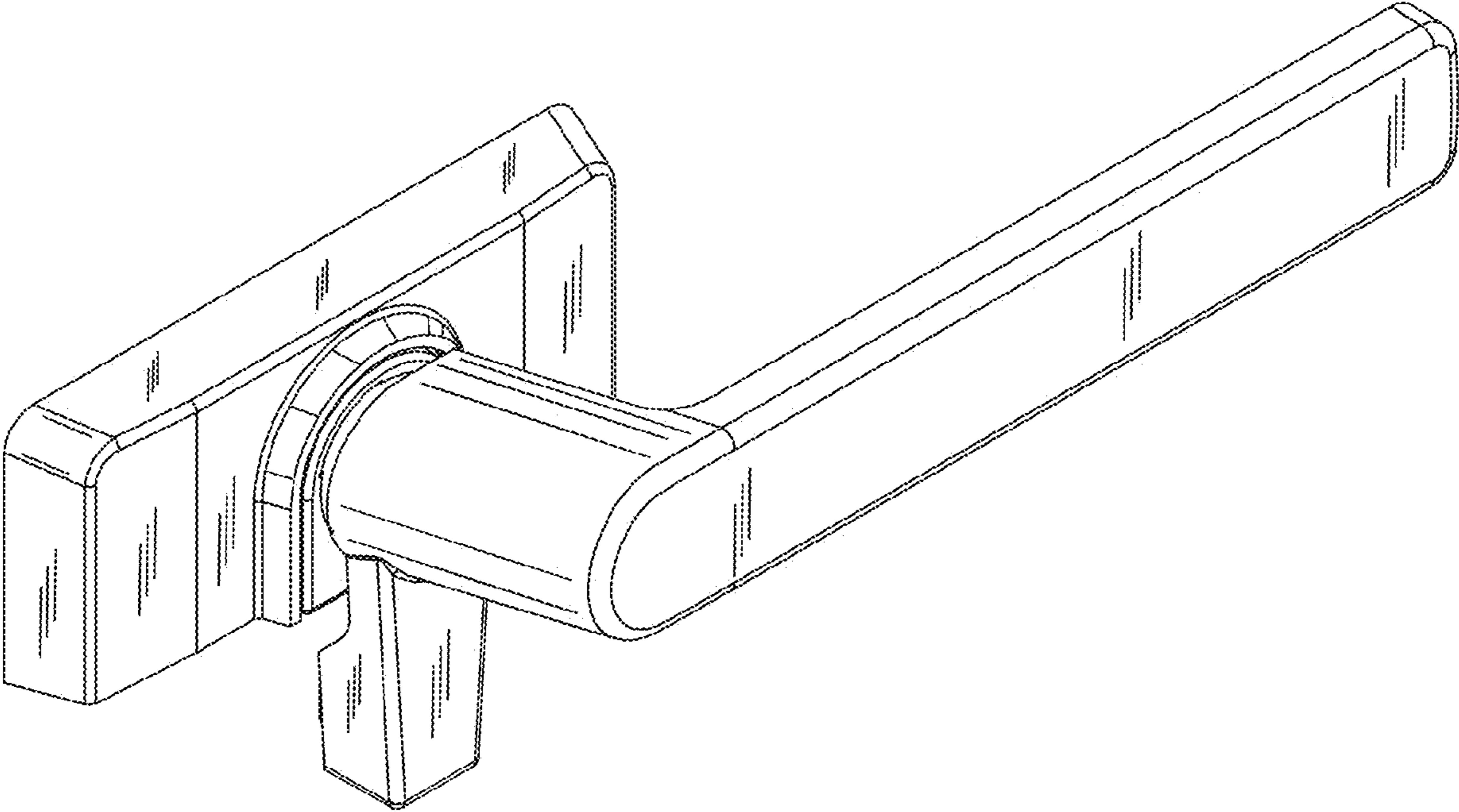


FIG. 1

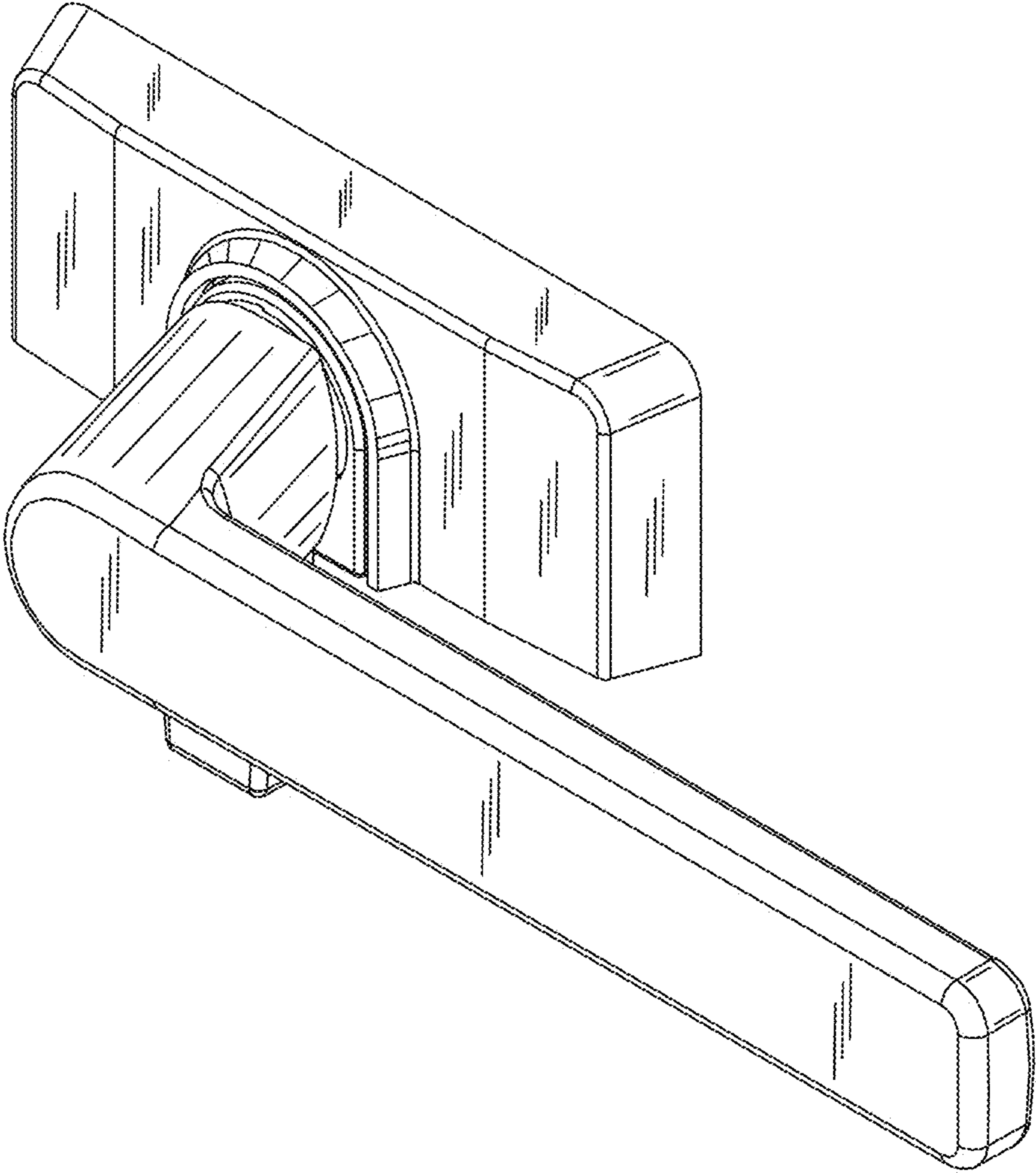


FIG. 2

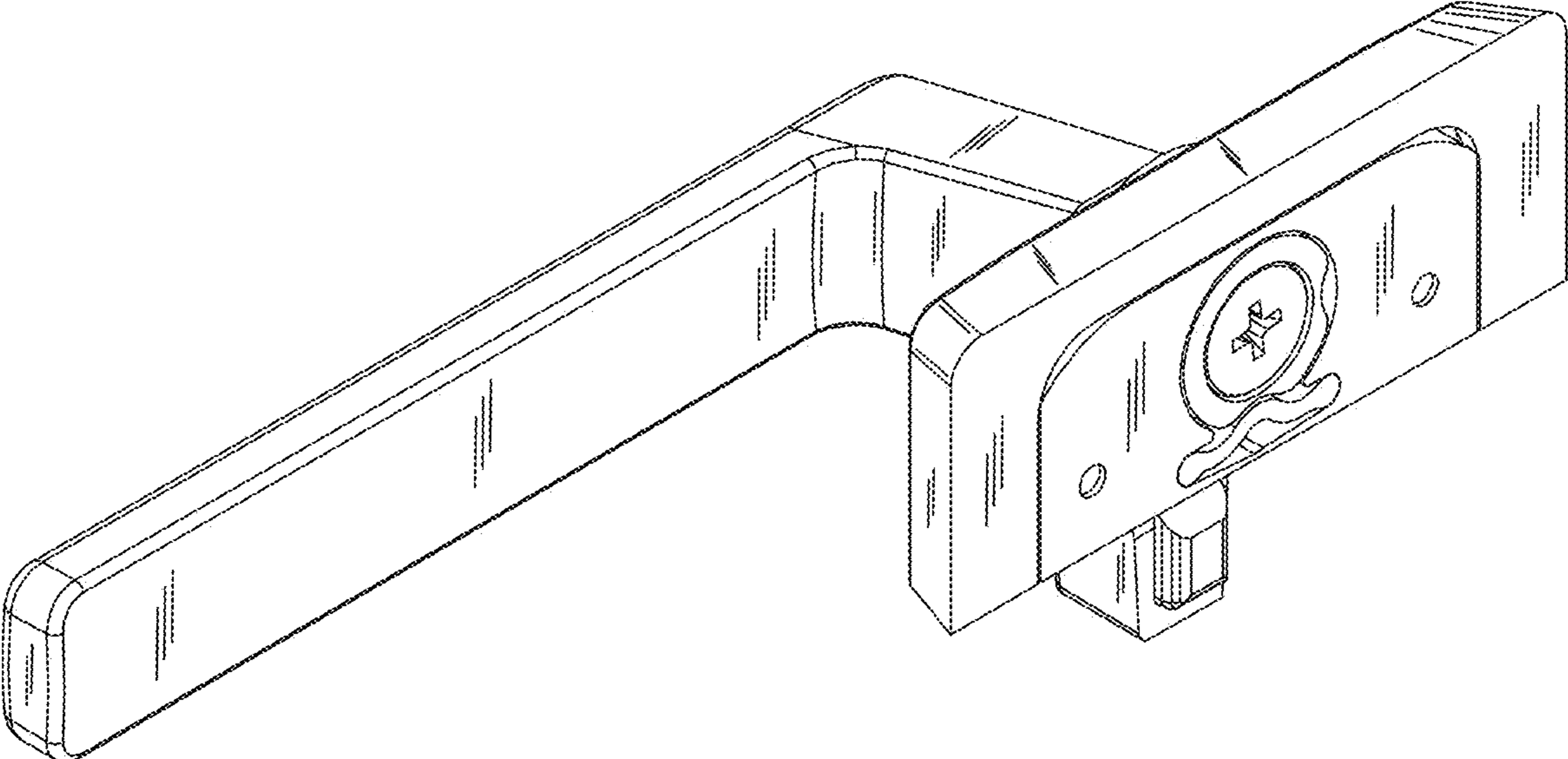


FIG. 3

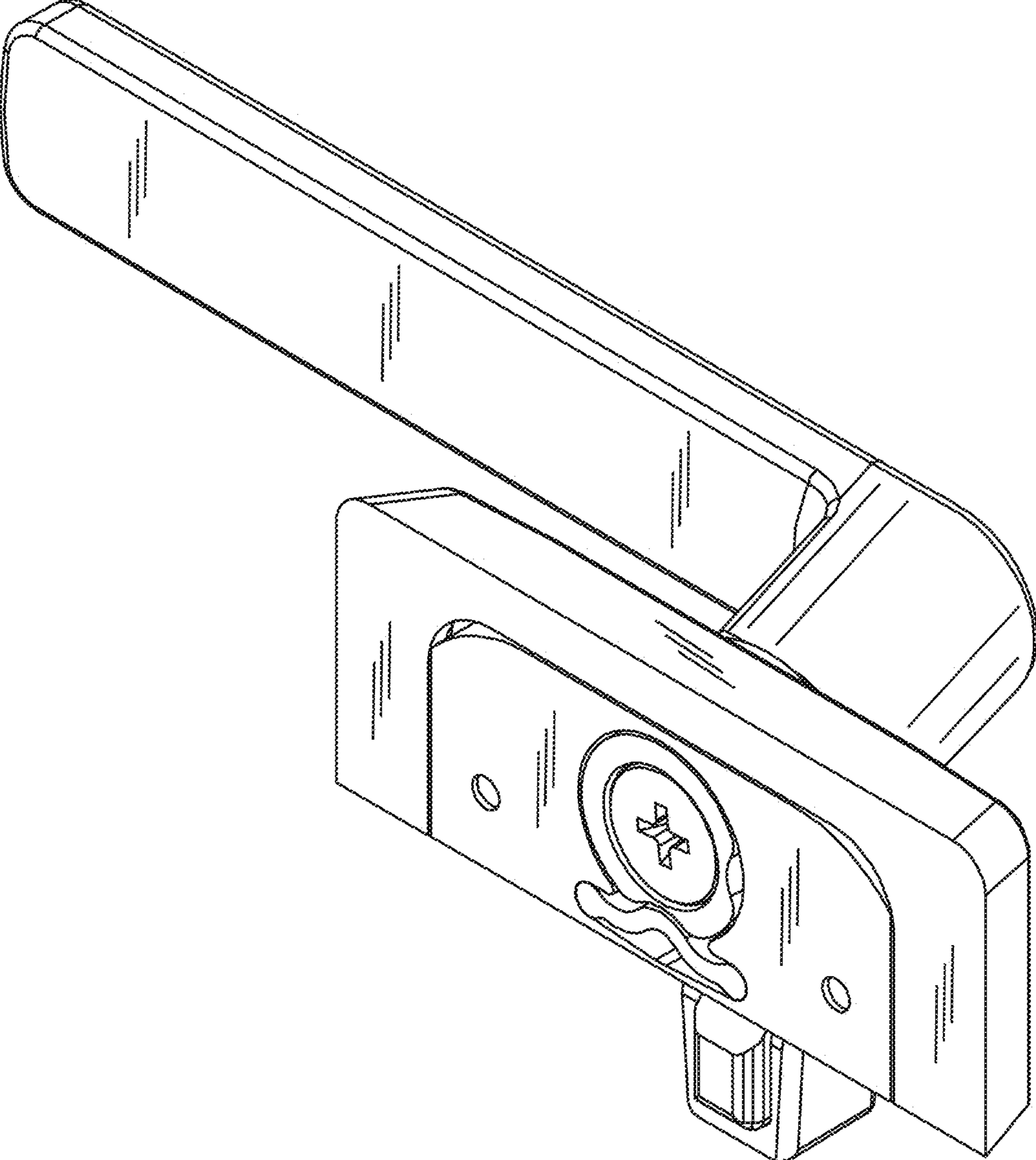


FIG. 4

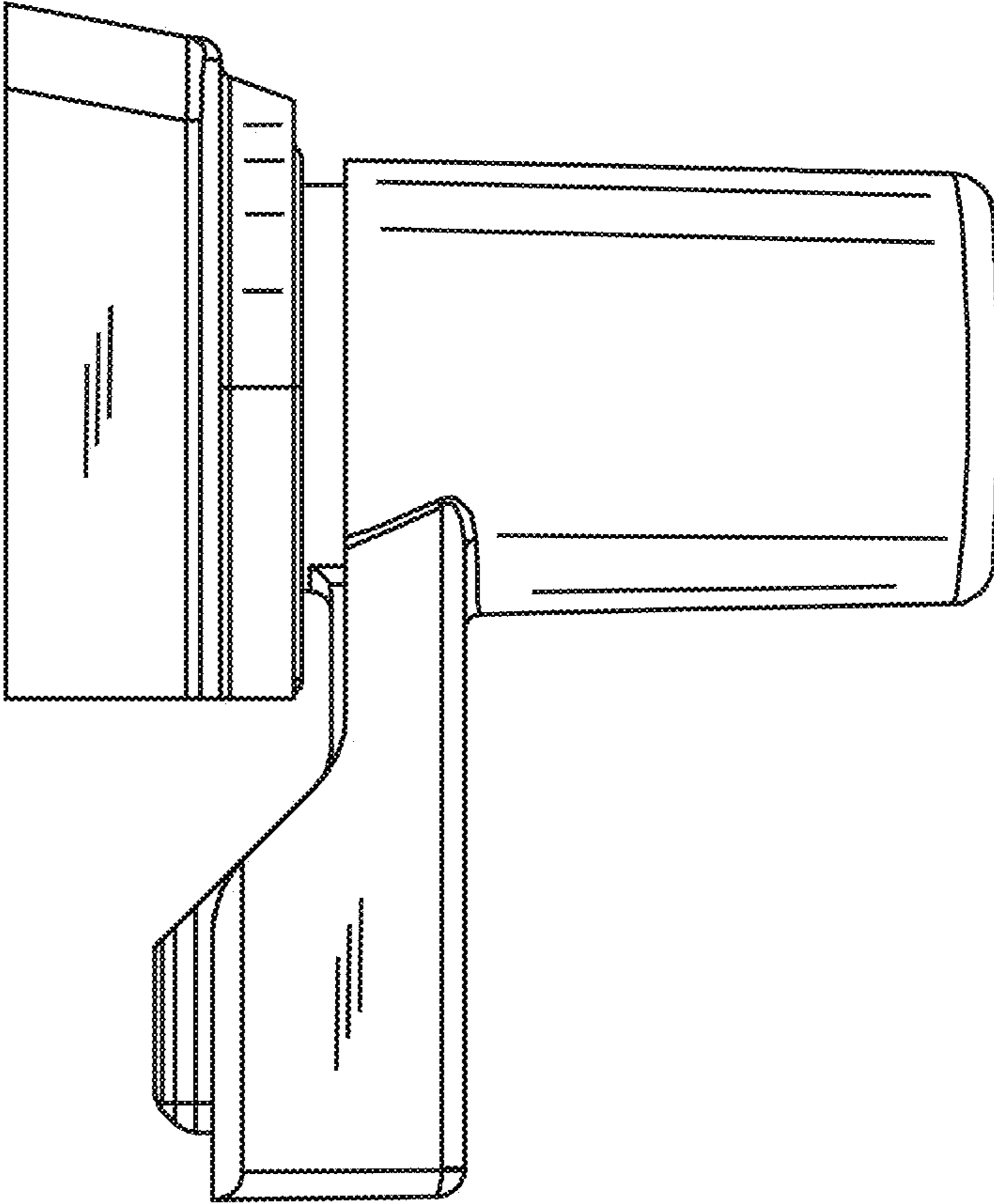


FIG. 5

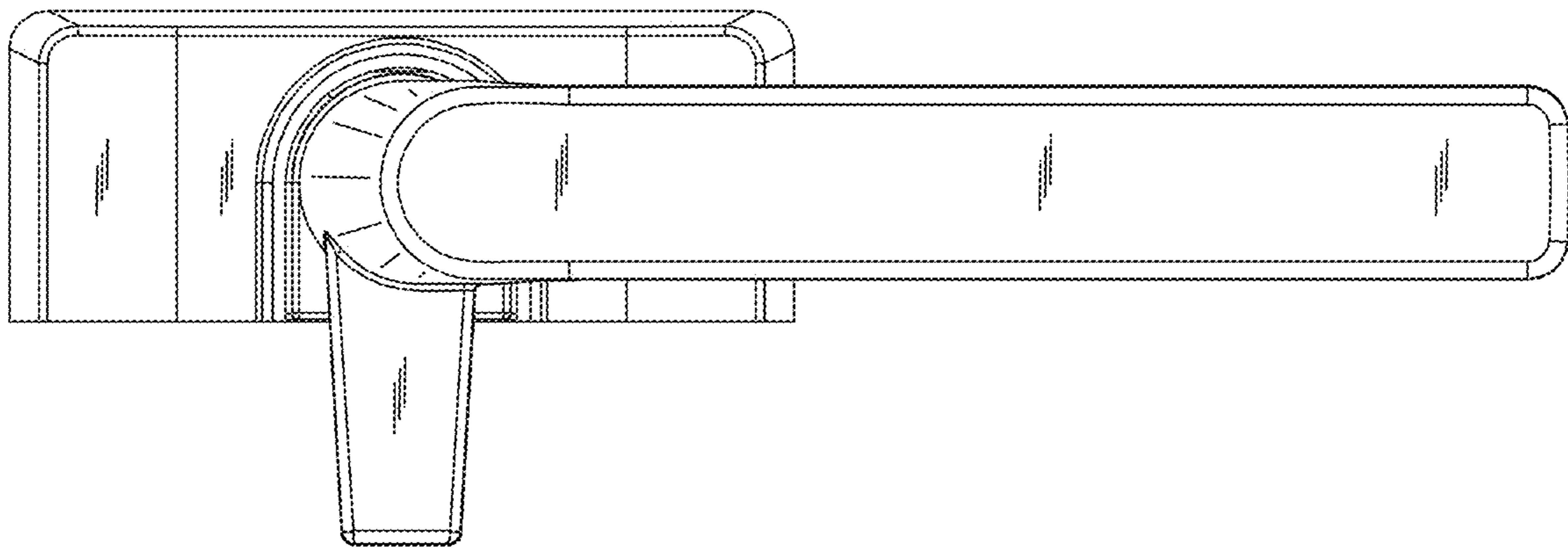


FIG. 6

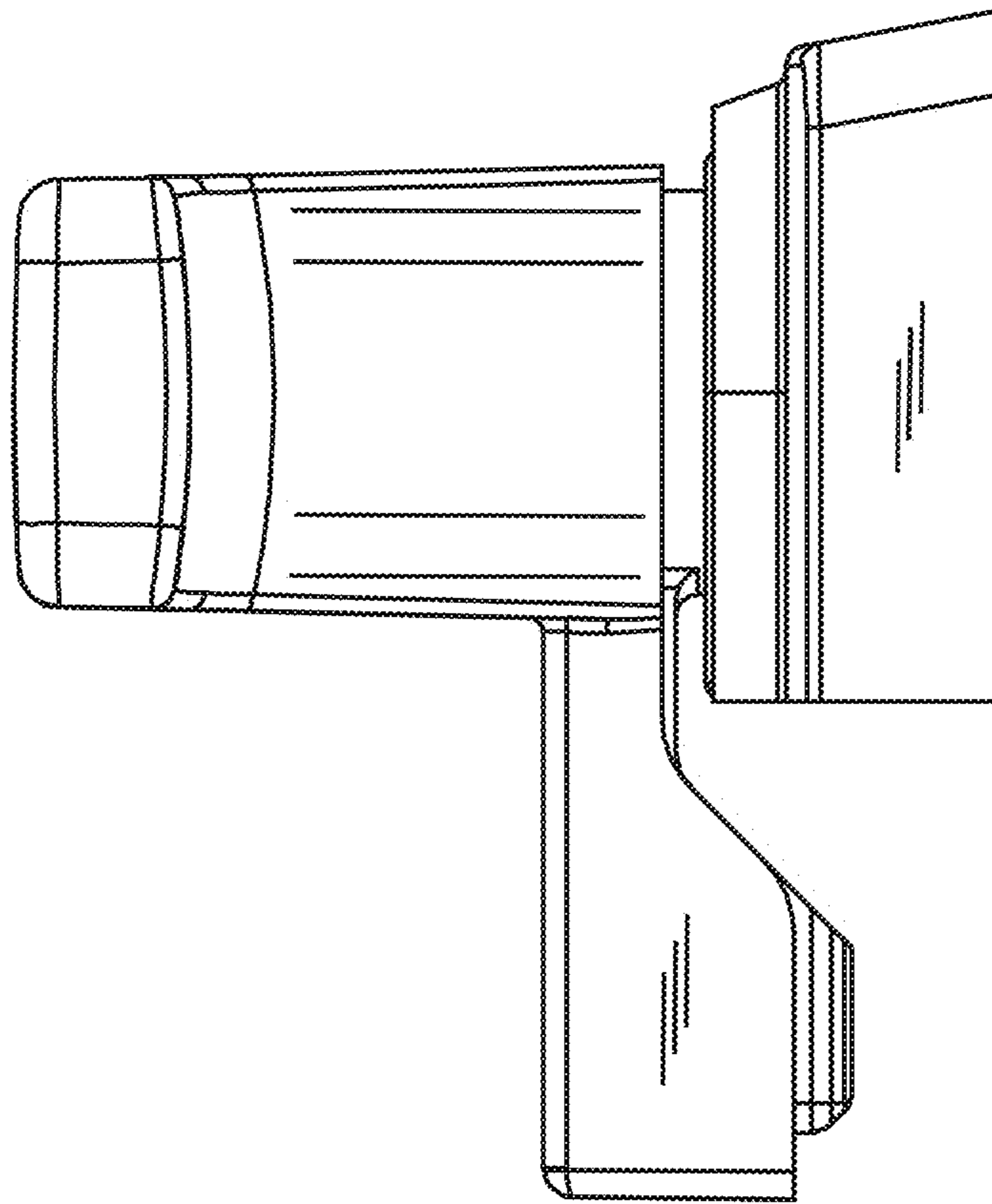


FIG. 7

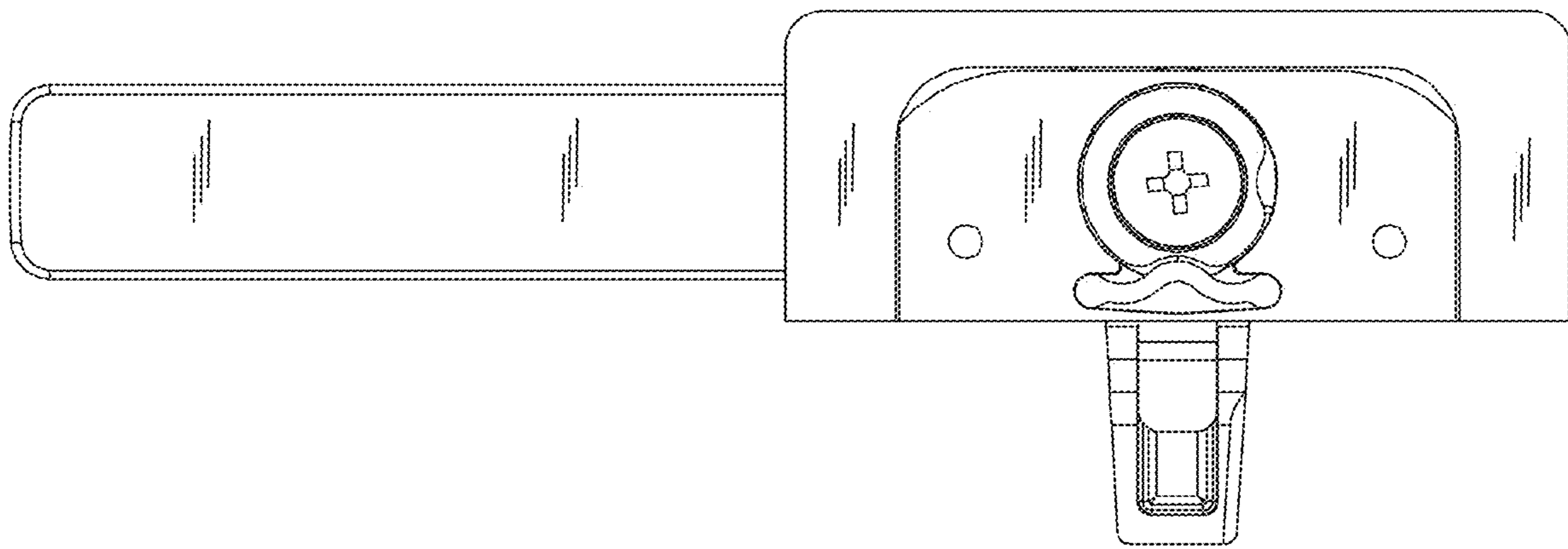


FIG. 8

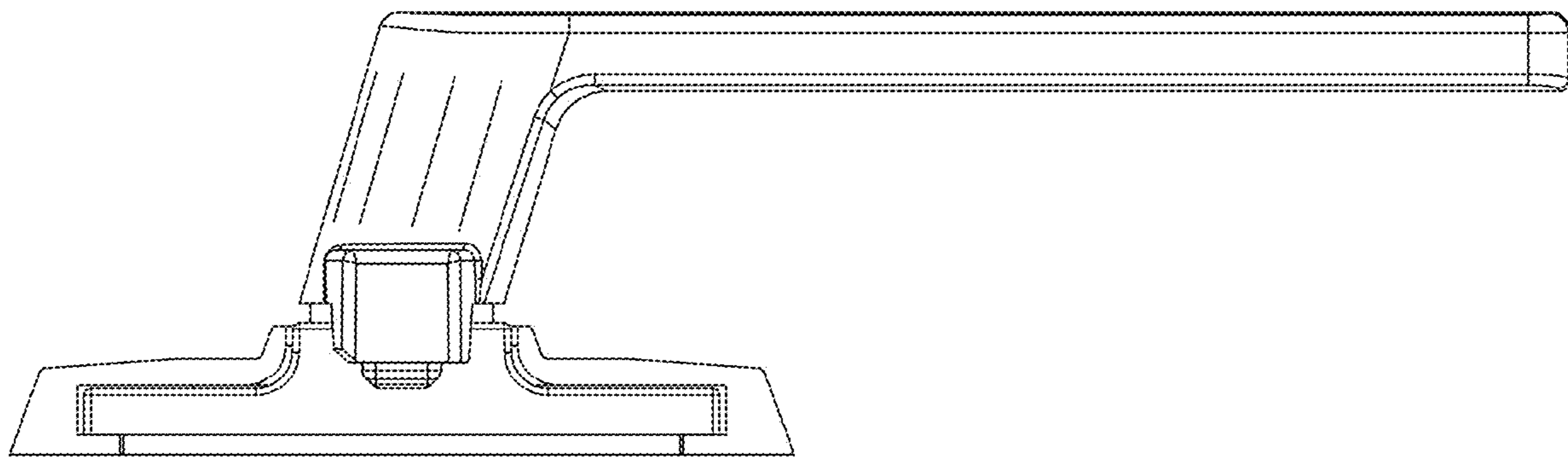


FIG. 9

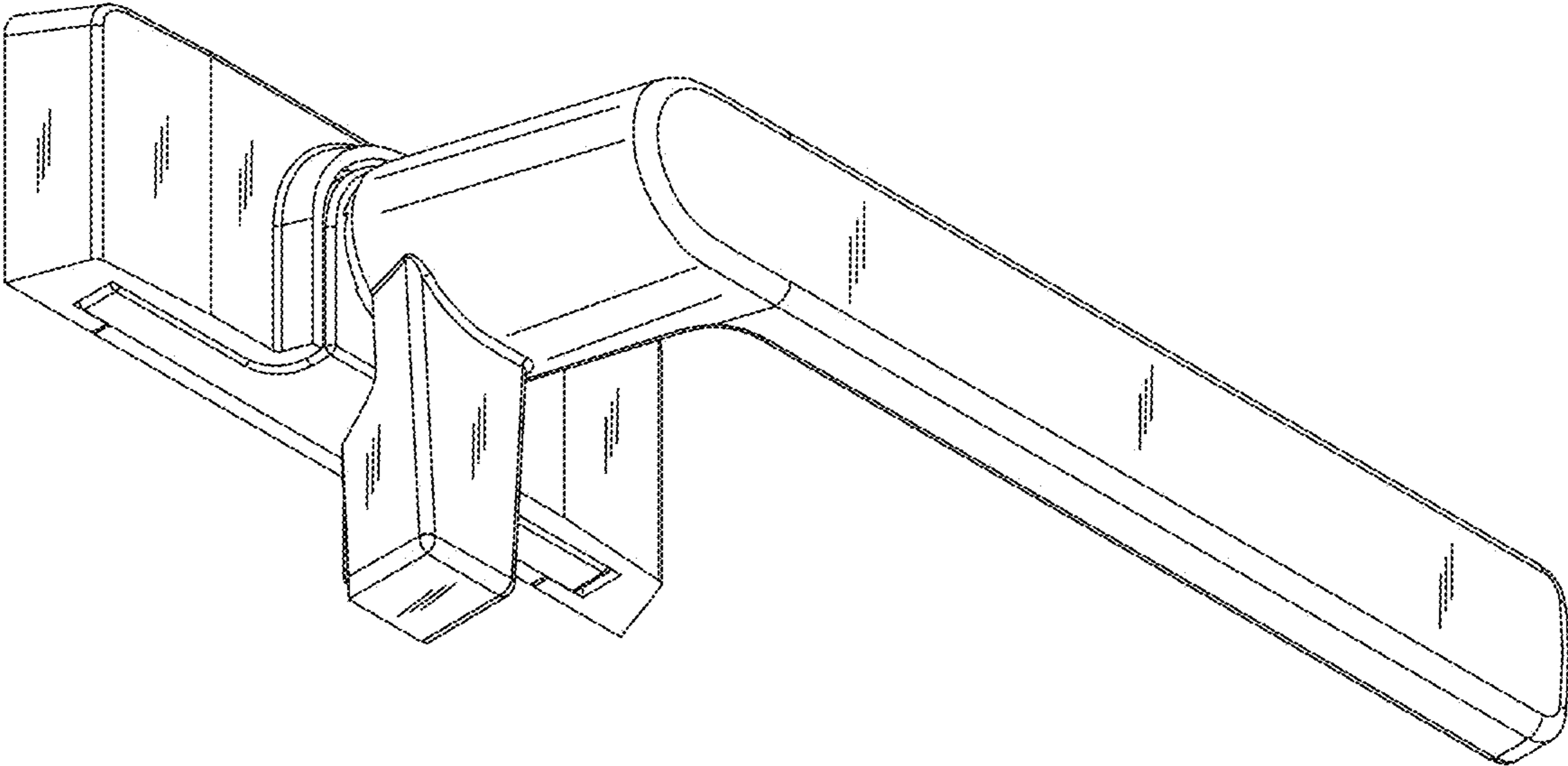


FIG. 10

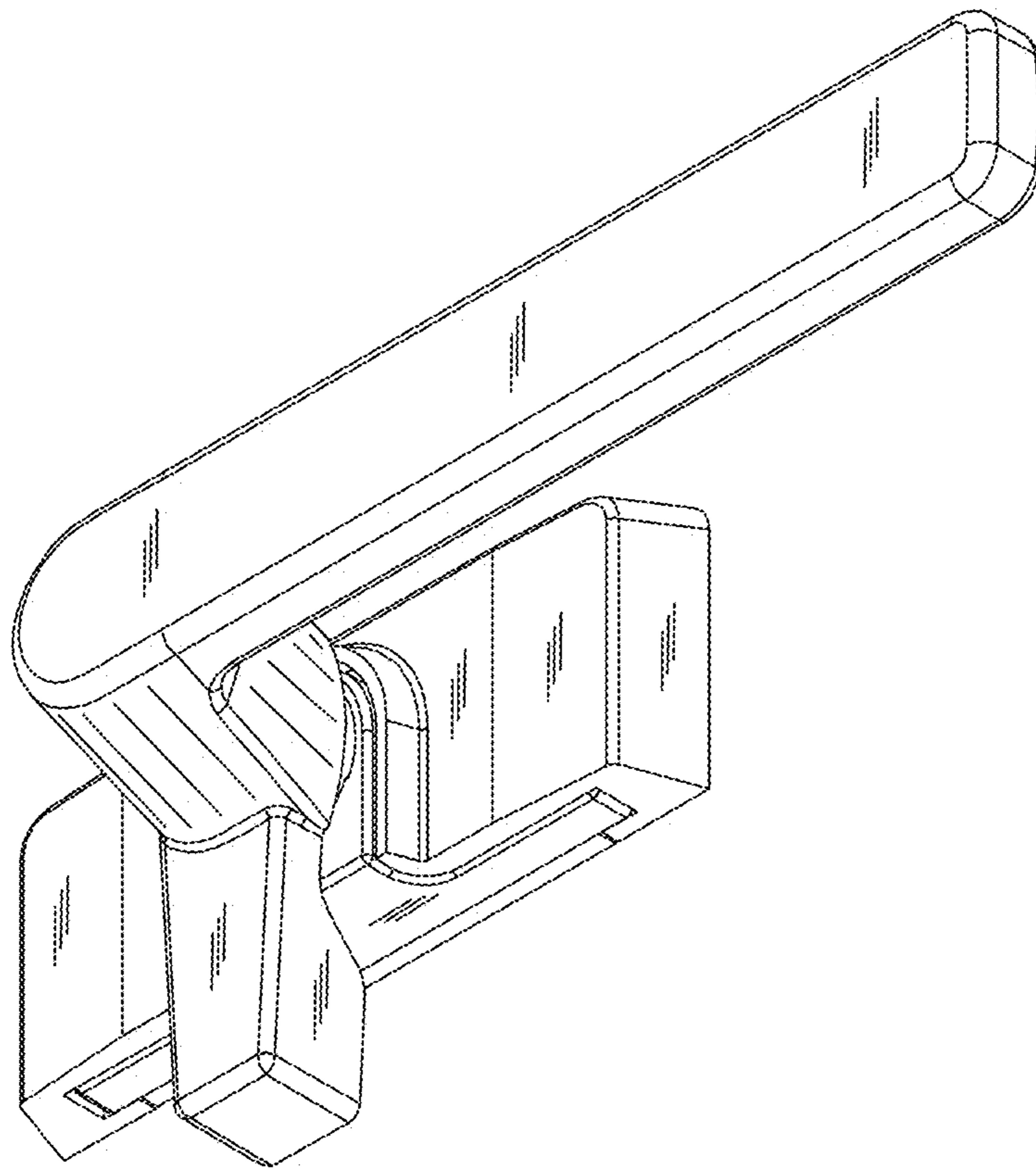


FIG. 11

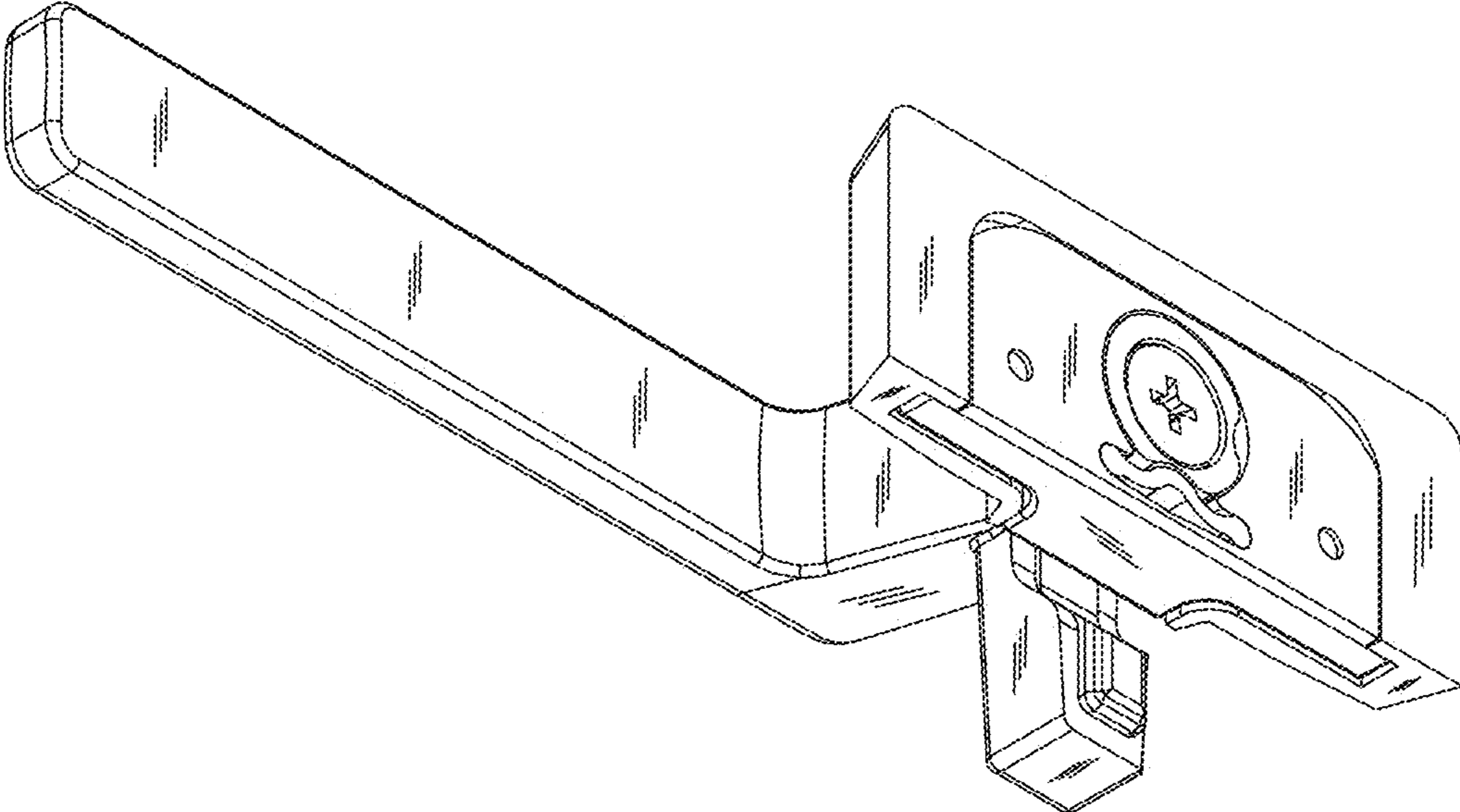


FIG. 12

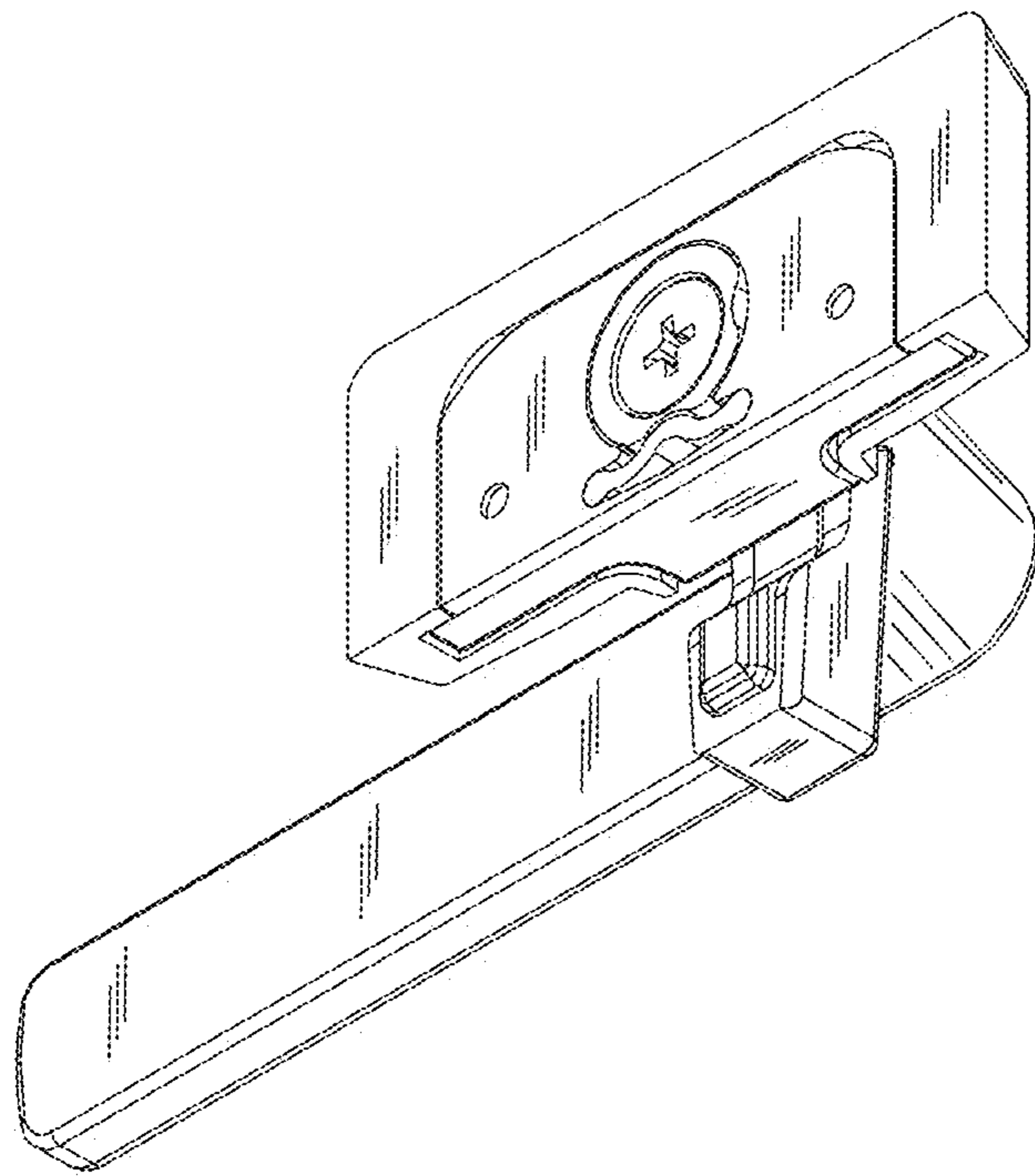


FIG. 13