



US00D904855S

(12) **United States Design Patent** (10) **Patent No.:** **US D904,855 S**
Min (45) **Date of Patent:** **** Dec. 15, 2020**

(54) **DIGITAL LOCK**
(71) Applicant: **NANJING EASTHOUSE ELECTRICAL CO., LTD.**, Nanjing (CN)

D752,948 S * 4/2016 Gokcebay D8/331
D753,463 S * 4/2016 Gokcebay D8/331
D762,101 S * 7/2016 Gokcebay D8/331
D813,643 S * 3/2018 Valencich D8/331
(Continued)

(72) Inventor: **Hao Min**, Nanjing (CN)
(73) Assignee: **NANJING EASTHOUSE ELECTRICAL CO., LTD.**, Nanjing (CN)

FOREIGN PATENT DOCUMENTS

CN 000515085-0006 * 4/2016
CN 000515085-0010 * 4/2016
(Continued)

(**) Term: **15 Years**

OTHER PUBLICATIONS

(21) Appl. No.: **29/676,649**

Woopower, Smart Lock Front Door, Woopower Keyless Entry Door Lock Deadbolt, Date first available Apr. 26, 2020 [online] retrieved Aug. 20, 2020, available from internet, www.amazon.com (Year: 2020).*

(22) Filed: **Jan. 13, 2019**

(51) **LOC (12) Cl.** **08-07**

(52) **U.S. Cl.**
USPC **D8/330**; D8/331

(58) **Field of Classification Search**
USPC D8/330-340, 341.11, 342-350, 352, 382, D8/394-399, 323-325, 328, 329; 292/341.11, 340-346, 180
CPC G07C 9/00571; G07C 9/00674; G07C 9/00309; Y10T 292/53; Y10T 16/458; Y10T 292/68; Y10T 292/0803; Y10T 292/0848; Y10T 70/5199; H04N 7/147; H04N 7/186; H04N 5/232411; H05K 1/144; E05B 3/00; E05B 15/00; E05B 9/00; E05B 63/04; E05B 15/101; E05B 1/003; E05B 65/0811; E05B 17/18; E05B 83/00

See application file for complete search history.

(Continued)

Primary Examiner — Keli L Hill
Assistant Examiner — Sara S Sahneh
(74) *Attorney, Agent, or Firm* — Ming Jiang; MM IP Services LLC

(56) **References Cited**

U.S. PATENT DOCUMENTS

D580,739 S * 11/2008 Pelletier D8/330
D593,398 S * 6/2009 Pelletier D8/330
D639,137 S * 6/2011 Ray, II D8/330
D693,203 S * 11/2013 Mostert D8/350
D720,200 S * 12/2014 Gokcebay D8/331

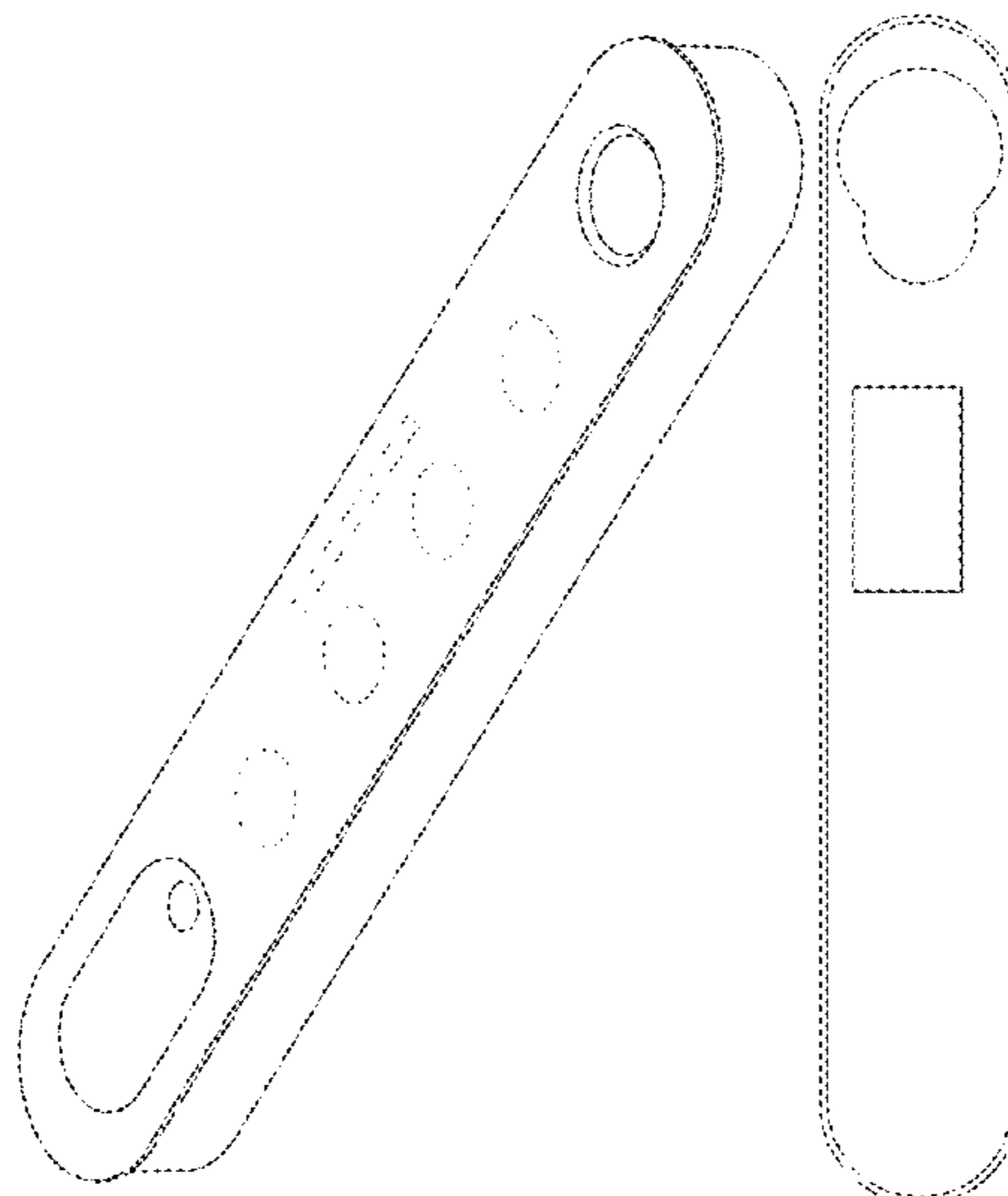
(57) **CLAIM**

I claim the ornamental design for a digital lock, as shown and described.

DESCRIPTION

FIG. 1 is a front side, bottom perspective view of the digital lock showing my design;
FIG. 2 is a front elevation view of the digital lock;
FIG. 3 is a rear elevation view of the digital lock;
FIG. 4 is a top elevation view of the digital lock;
FIG. 5 is a bottom elevation view of the digital lock;
FIG. 6 is a left elevation view of the digital lock; and,
FIG. 7 is a right elevation view of the digital lock.
The broken line showing of digital lock is included for the purpose of illustrating portions of the digital lock that form no part of the claimed design.

1 Claim, 4 Drawing Sheets



(56)

References Cited

U.S. PATENT DOCUMENTS

10,273,715 B2 * 4/2019 Roatis E05B 1/003
D863,029 S * 10/2019 Gokcebay D8/330
2018/0305953 A1 * 10/2018 Thompson E05B 15/024

FOREIGN PATENT DOCUMENTS

CN 304357952 * 5/2017
CN 304833091 * 5/2018
CN 305020972 * 6/2018
CN 305667770 * 6/2019
CN 305667786 * 8/2019

OTHER PUBLICATIONS

Catchface, Smart Lock, Fingerprint Door Lock Keyless Entry Door Lock, Date first available May 18, 2020, [online]retrieved Sep. 4, 2020, available from internet, www.amazon.com (Year: 2020).*

Moiak, Smart Fingerprint Door Lock,Biometric LED Indicator Electronic, Date first available Mar. 12, 2020, [online]retrieved Sep. 4, 2020, available from internet, www.amazon.com (Year: 2020).*

Nyboer, Keyless Entry Door Lock Smart Biometric Fingerprint Door Lock Safe Front Door Handle with Fingerprint Bluetooth App Key Unlock, Date first available Jun. 8, 2020, [online]retrieved Sep. 4, 2020, available from internet, www.amazon.com (Year: 2020).*

* cited by examiner

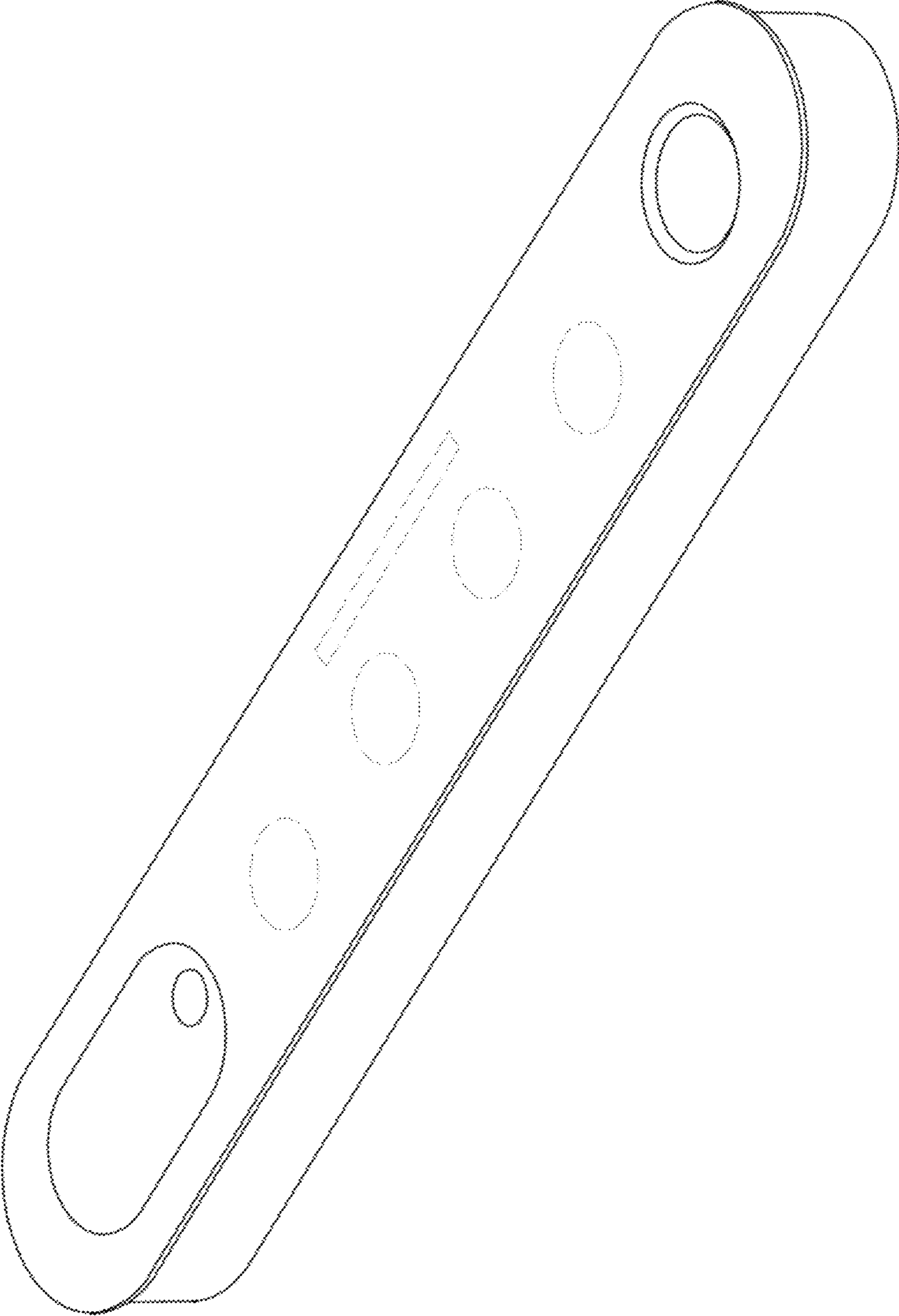


FIG. 1

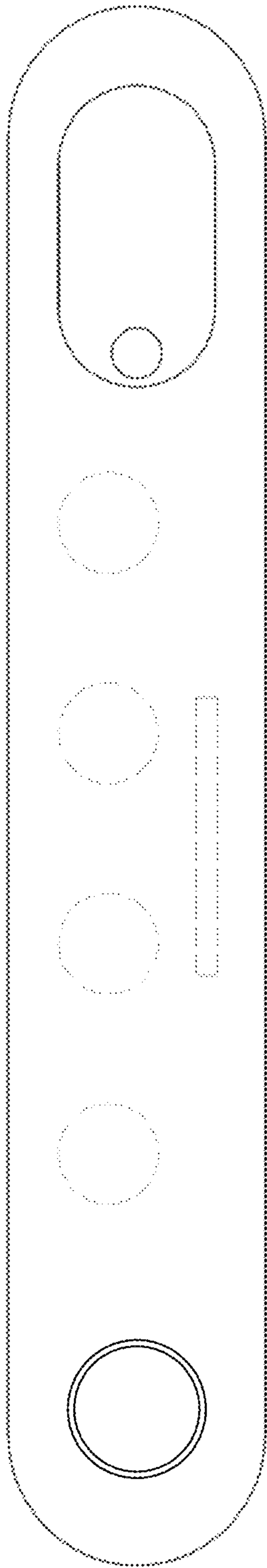


FIG. 2

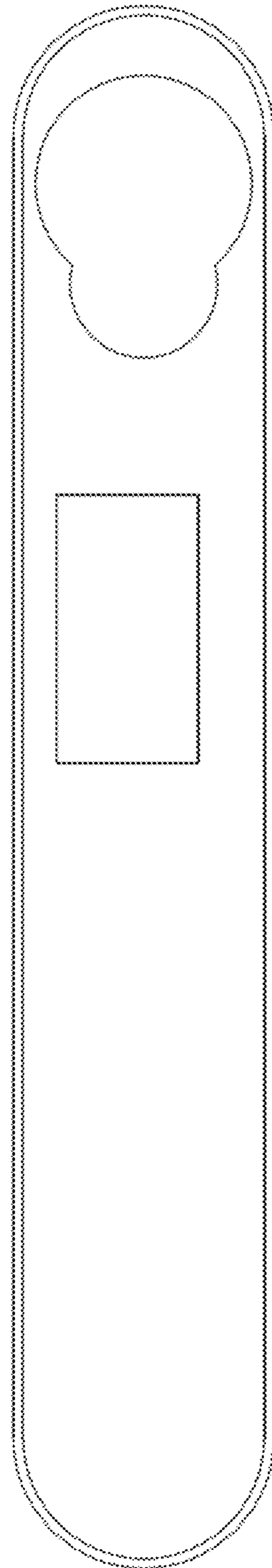


FIG. 3

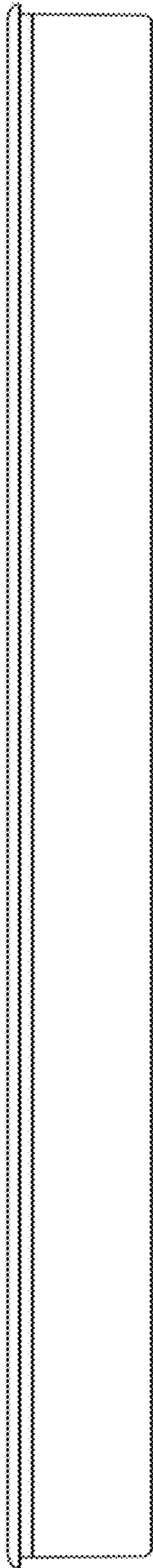


FIG. 4

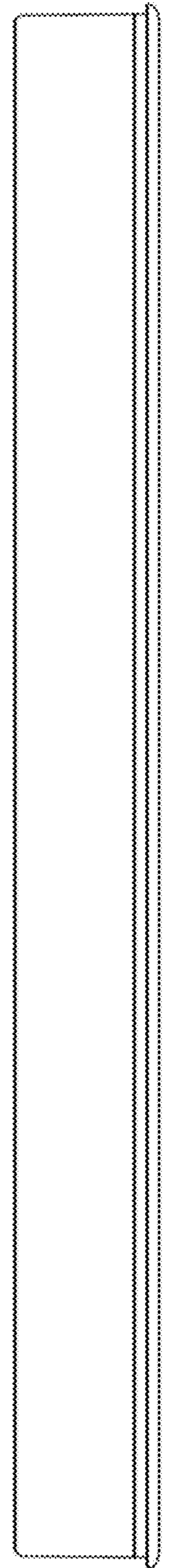


FIG. 5

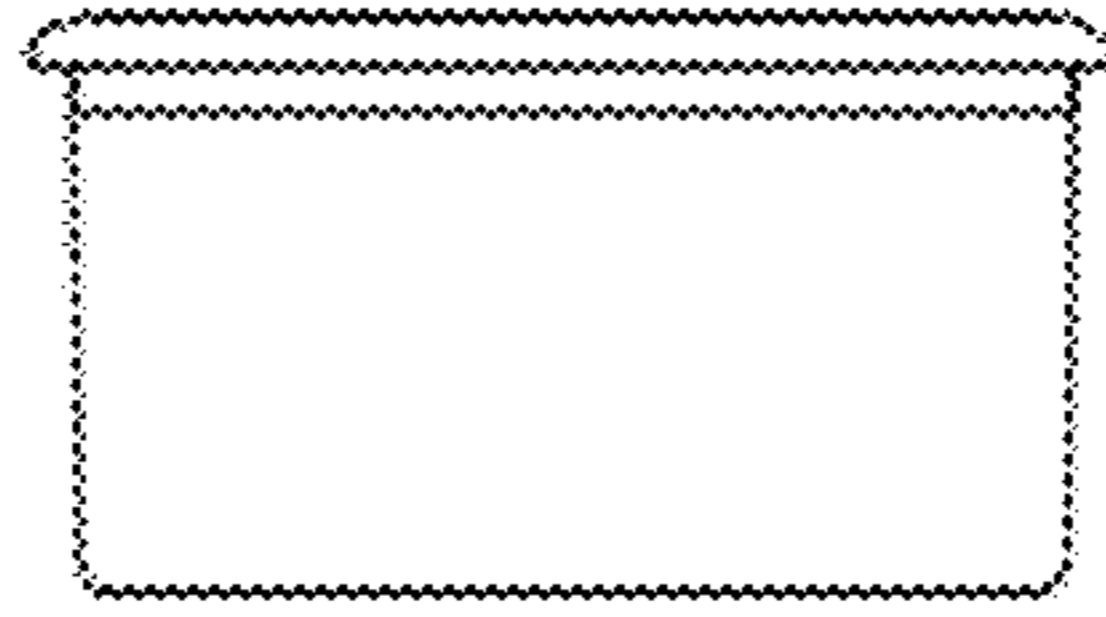


FIG. 6

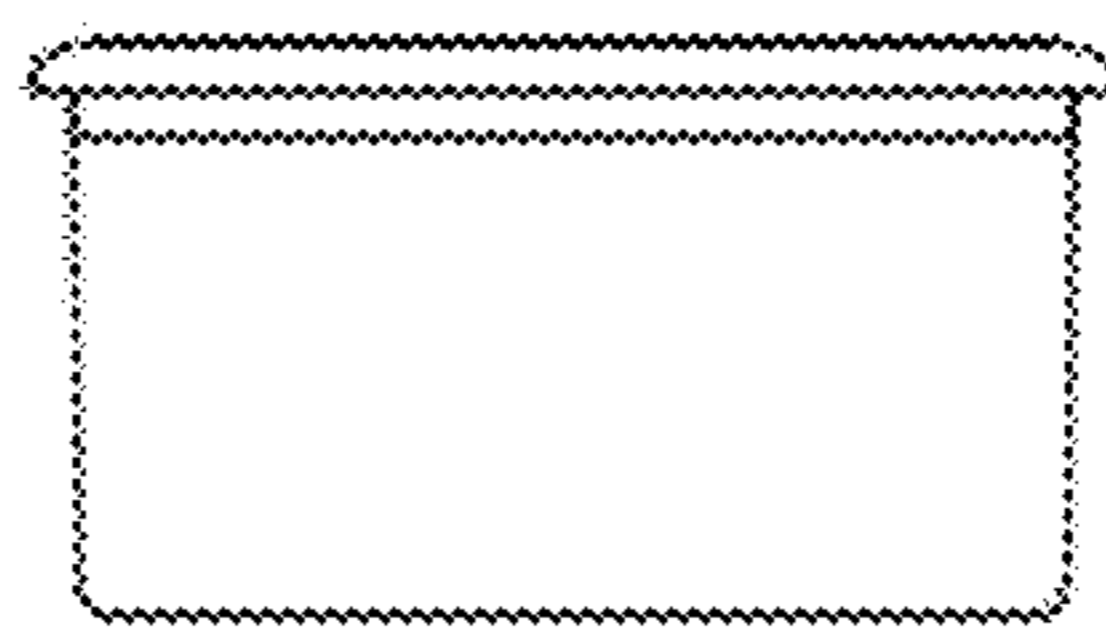


FIG. 7