



US00D904854S

(12) **United States Design Patent** (10) **Patent No.:** **US D904,854 S**
Huang et al. (45) **Date of Patent:** **** Dec. 15, 2020**

(54) **SELECTOR LEVER**

(71) Applicants: **George Huang**, Henderson, NV (US);
Roger Wang, Malibu, CA (US)

(72) Inventors: **George Huang**, Henderson, NV (US);
Roger Wang, Malibu, CA (US)

(73) Assignee: **Battlearms IP, LLC**, Henderson, NV
(US)

(**) Term: **15 Years**

(21) Appl. No.: **29/600,620**

(22) Filed: **Apr. 13, 2017**

Related U.S. Application Data

(60) Division of application No. 29/491,527, filed on May 22, 2014, now Pat. No. Des. 786,649, which is a continuation-in-part of application No. 13/068,287, filed on May 7, 2011, now Pat. No. 8,806,790.

(51) **LOC (12) Cl.** **08-06**

(52) **U.S. Cl.**
USPC **D8/308**; D22/108

(58) **Field of Classification Search**
USPC D8/107, 300-309, 321, 330, 331, 343,
D8/346, 347, 349; D23/250-254, 264;
D21/694; D34/10, 11; D7/393, 394,
D7/548; D22/108
CPC . Y10T 16/476; Y10T 16/466; Y10T 16/4713;
Y10T 16/469; Y10T 16/44; Y10T
74/20828; Y10T 279/17982; Y10T
29/49826; Y10T 74/20732; Y10T
74/20864; Y10T 16/4559; Y10T 408/96;
Y10T 279/17957; Y10T 16/459; Y10T
407/1825; Y10T 74/2078; Y10T
74/20822; Y10T 29/53; Y10T 29/537;
B25G 1/102; B25G 1/00; B25G 1/10;
B25G 3/00; Y10S 16/12; Y10S 16/19;
Y10S 16/906; Y10S 56/18; B26B 3/00;
B26B 5/00; B26B 13/20; B26B 1/10

See application file for complete search history.

(56) **References Cited**

U.S. PATENT DOCUMENTS

5,251,533 A * 10/1993 Layton F41A 19/33
89/129.02
D343,564 S * 1/1994 Donofrio D8/308
D356,944 S * 4/1995 Spaulding D8/308
D420,416 S * 2/2000 Kay D22/100
D448,274 S * 9/2001 Heinrich D8/338
D454,292 S * 3/2002 Plummer D8/331

(Continued)

Primary Examiner — Lauren R Calve

(74) *Attorney, Agent, or Firm* — Shaddock Law Group,
PC

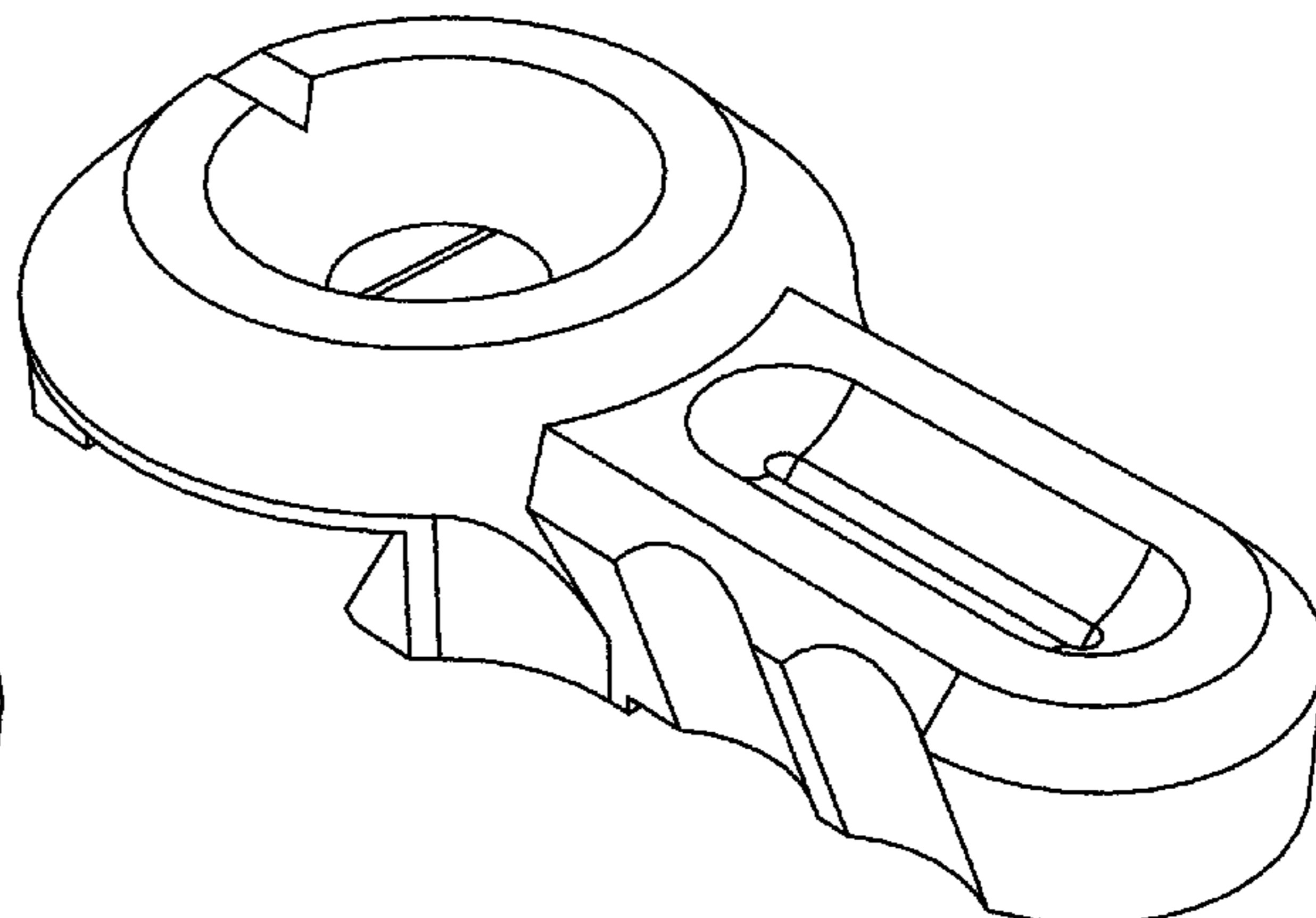
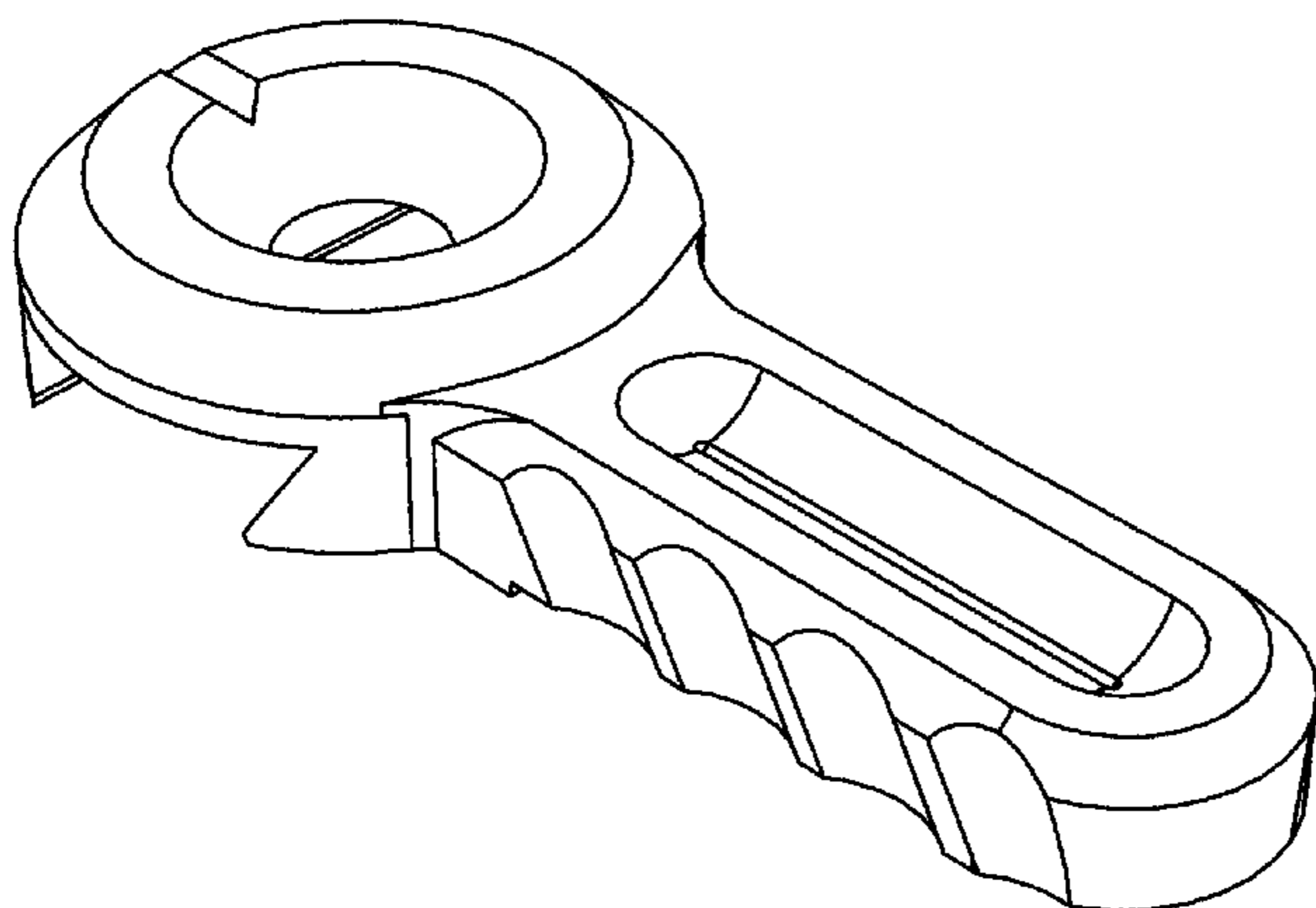
(57) **CLAIM**

The ornamental design for a selector lever, as shown and described.

DESCRIPTION

FIG. 1 is a rear perspective view of a selector lever, showing our new design;
FIG. 2 is a front perspective view thereof;
FIG. 3 is a left side view thereof;
FIG. 4 is a right side view thereof;
FIG. 5 is a top view thereof;
FIG. 6 is a bottom view thereof;
FIG. 7 is a front view thereof;
FIG. 8 is a rear view thereof;
FIG. 9 is a rear perspective view of a selector lever according to a second embodiment;
FIG. 10 is a front perspective view thereof;
FIG. 11 is a left side view thereof;
FIG. 12 is a right side view thereof;
FIG. 13 is a top view thereof;
FIG. 14 is a bottom view thereof;
FIG. 15 is a front view thereof; and,
FIG. 16 is a rear view thereof.

1 Claim, 8 Drawing Sheets



(56)

References Cited

U.S. PATENT DOCUMENTS

D456,237 S *	4/2002	Sokurenko	D8/306	D834,131 S *	11/2018	Geissele	D22/108
6,640,593 B1 *	11/2003	Hannah	E05B 63/0056	10,126,081 B1 *	11/2018	Geissele	F41A 17/46
				70/224	D846,707 S *	4/2019	Rubach	D23/252
D484,774 S *	1/2004	Jones	D8/331	2002/0069568 A1 *	6/2002	Bowles	F41A 17/00
D508,196 S *	8/2005	Pieters	D8/308					42/66
D566,520 S *	4/2008	Samhammer	D8/331	2005/0229462 A1 *	10/2005	McGarry	F41A 17/02
D639,378 S *	6/2011	Burt	D22/108					42/70.08
D649,014 S *	11/2011	Stuckey	D8/343	2007/0175935 A1 *	8/2007	Clifton, Jr.	F41A 17/00
8,127,481 B2 *	3/2012	Rozum	F41A 17/00					224/243
				42/70.01	2008/0302235 A1 *	12/2008	Lauck	F41A 17/46
8,276,502 B1 *	10/2012	Wright	F41A 17/46					89/132
				42/70.01	2013/0111796 A1 *	5/2013	Dionne	F41A 17/00
8,499,482 B1 *	8/2013	Di Trolio	F41A 17/42					42/70.11
				42/70.01	2015/0027020 A1 *	1/2015	Sheets, Jr.	F41A 17/00
8,806,790 B1 *	8/2014	Huang	F41A 17/74					42/70.11
				42/70.08	2016/0018176 A1 *	1/2016	Fellows	F41A 19/02
D723,646 S *	3/2015	Keezer	D22/108					42/69.03
9,003,948 B2 *	4/2015	Brown	F41A 19/33	2016/0187089 A1 *	6/2016	Wengender	F41A 17/02
				42/70.01					42/70.04
9,518,792 B1 *	12/2016	Huang	F41A 35/00	2017/0122686 A1 *	5/2017	Fellows	F41A 19/24
9,587,897 B1 *	3/2017	Huang	F41A 17/00	2017/0122689 A1 *	5/2017	Smith	F41A 35/06
D786,649 S *	5/2017	Huang	D8/308	2017/0176122 A1 *	6/2017	Underwood	F41A 19/46
D819,768 S *	6/2018	Dew	D22/108	2017/0299304 A1 *	10/2017	Otte, Jr.	F41A 17/46
D833,561 S *	11/2018	Pavlick	D22/108	2017/0299309 A1 *	10/2017	Fellows	F41A 17/46
					2017/0328663 A1 *	11/2017	Fellows	F41A 19/14
					2018/0142979 A1 *	5/2018	Troy	F41A 19/46

* cited by examiner

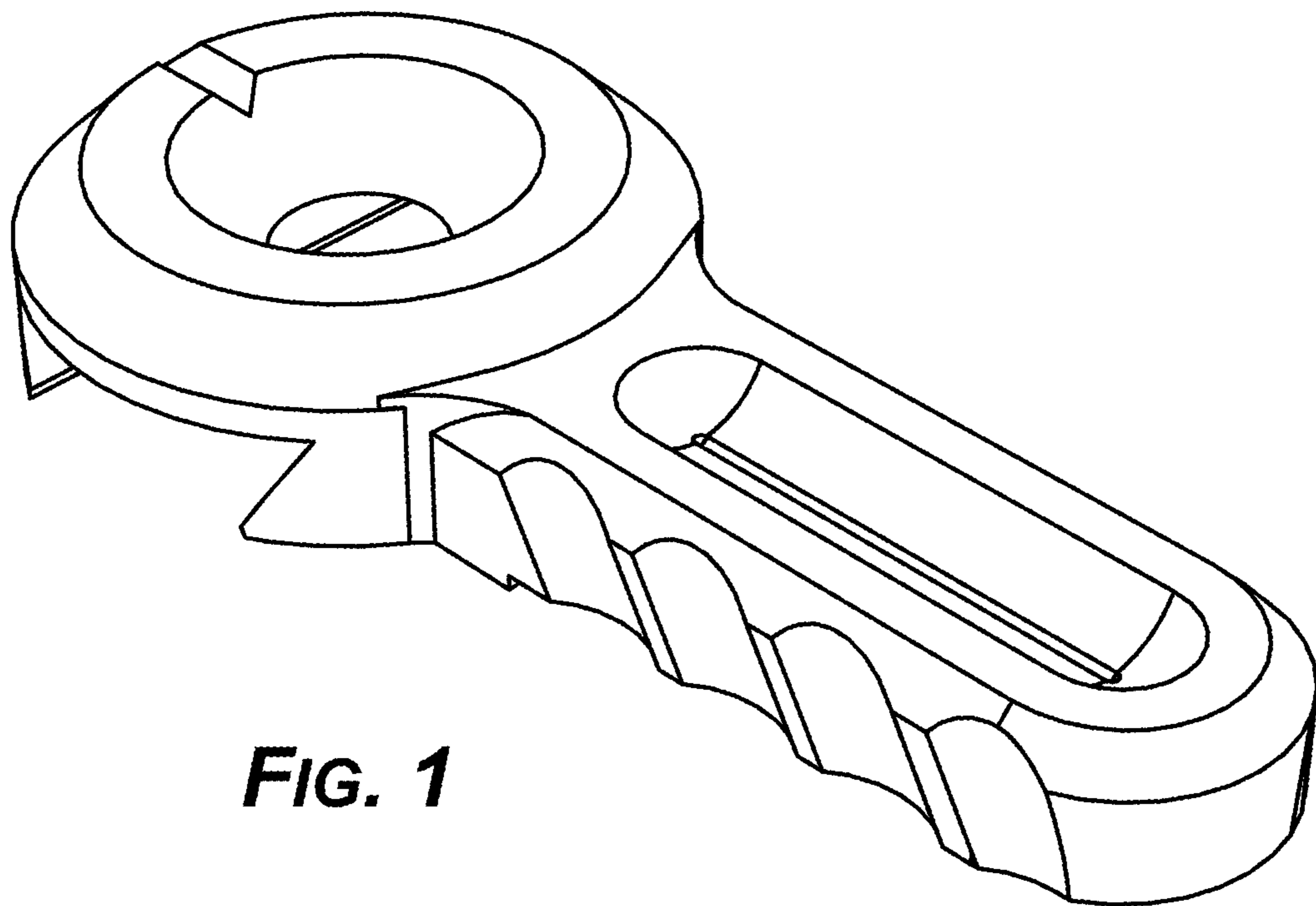


FIG. 1

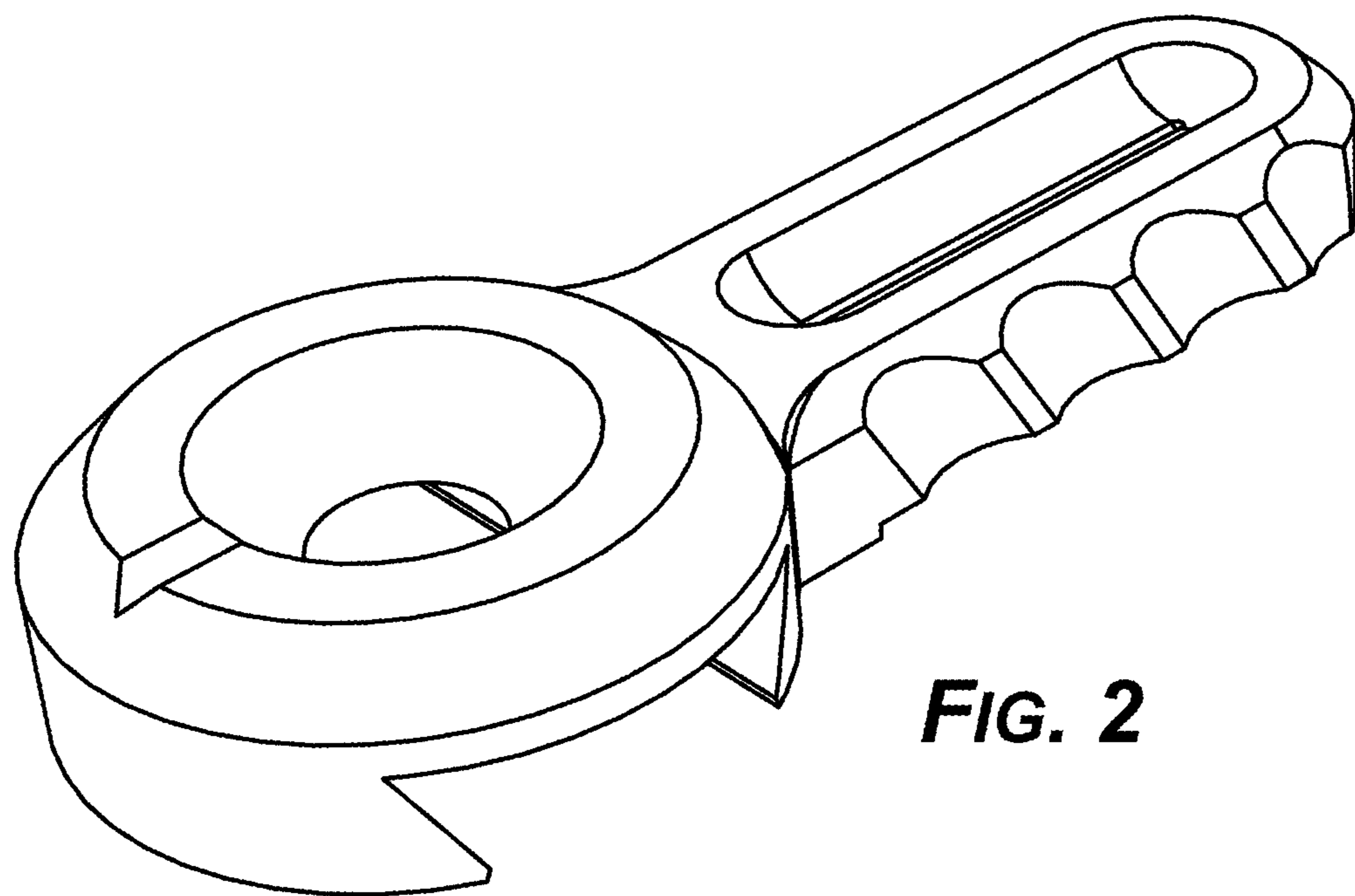


FIG. 2

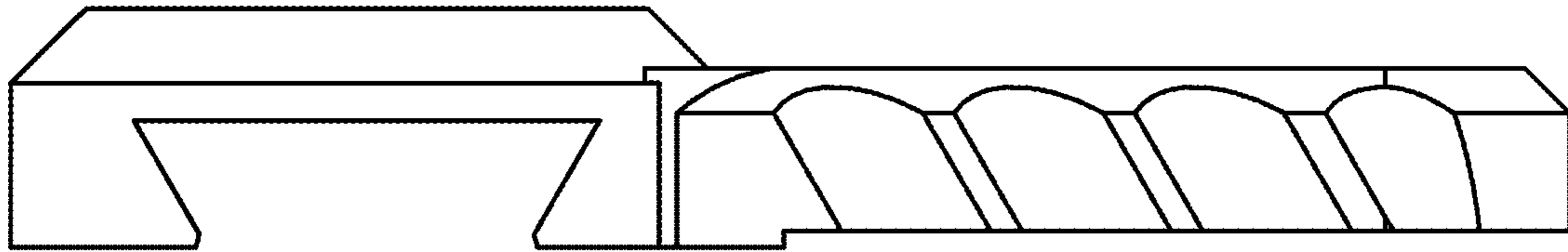


FIG. 3

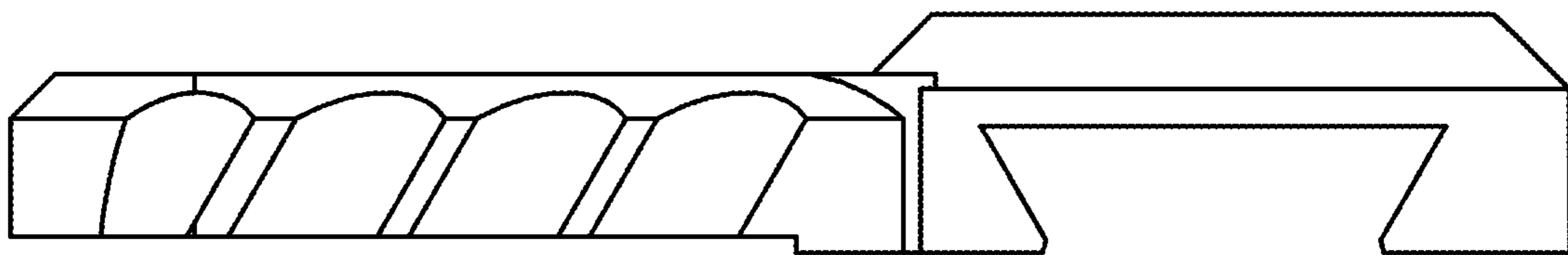


FIG. 4

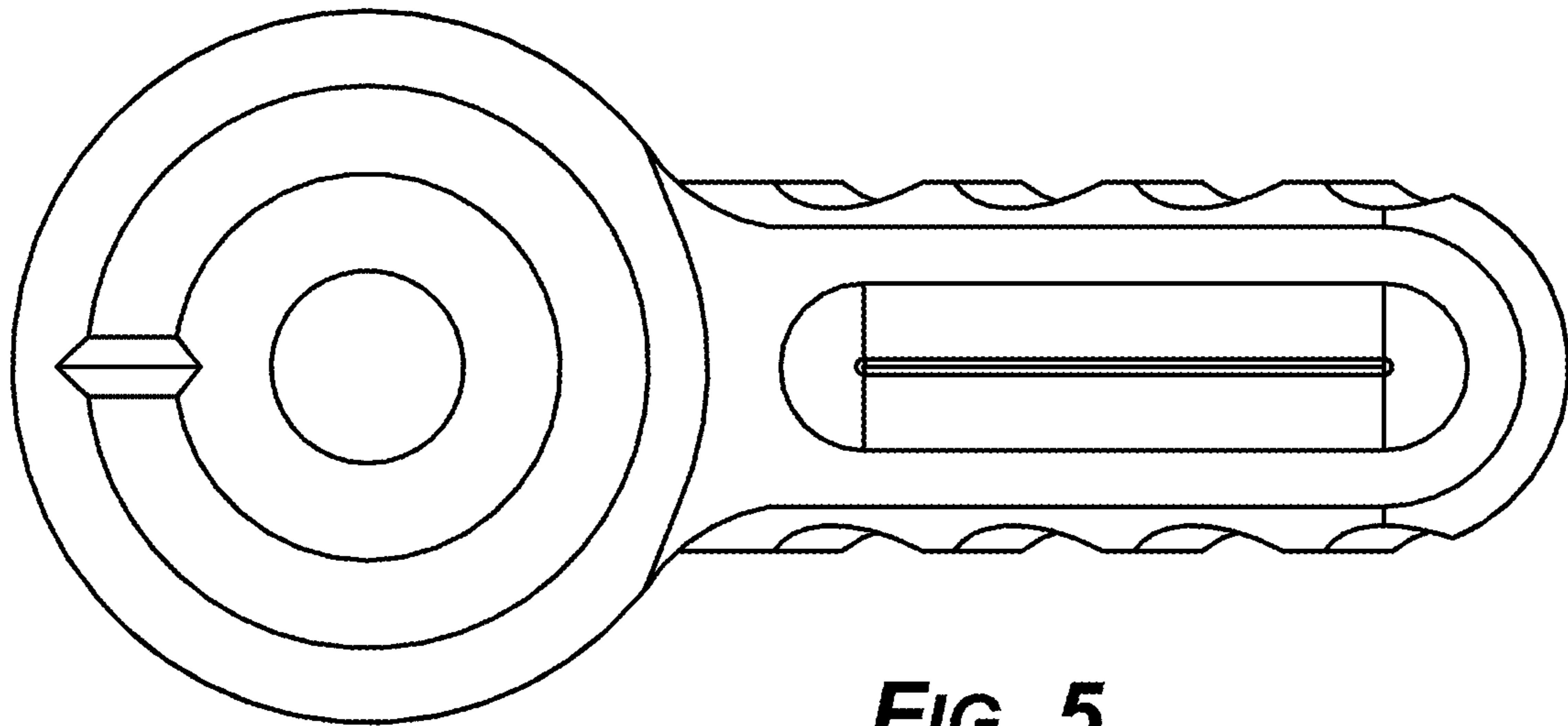


FIG. 5

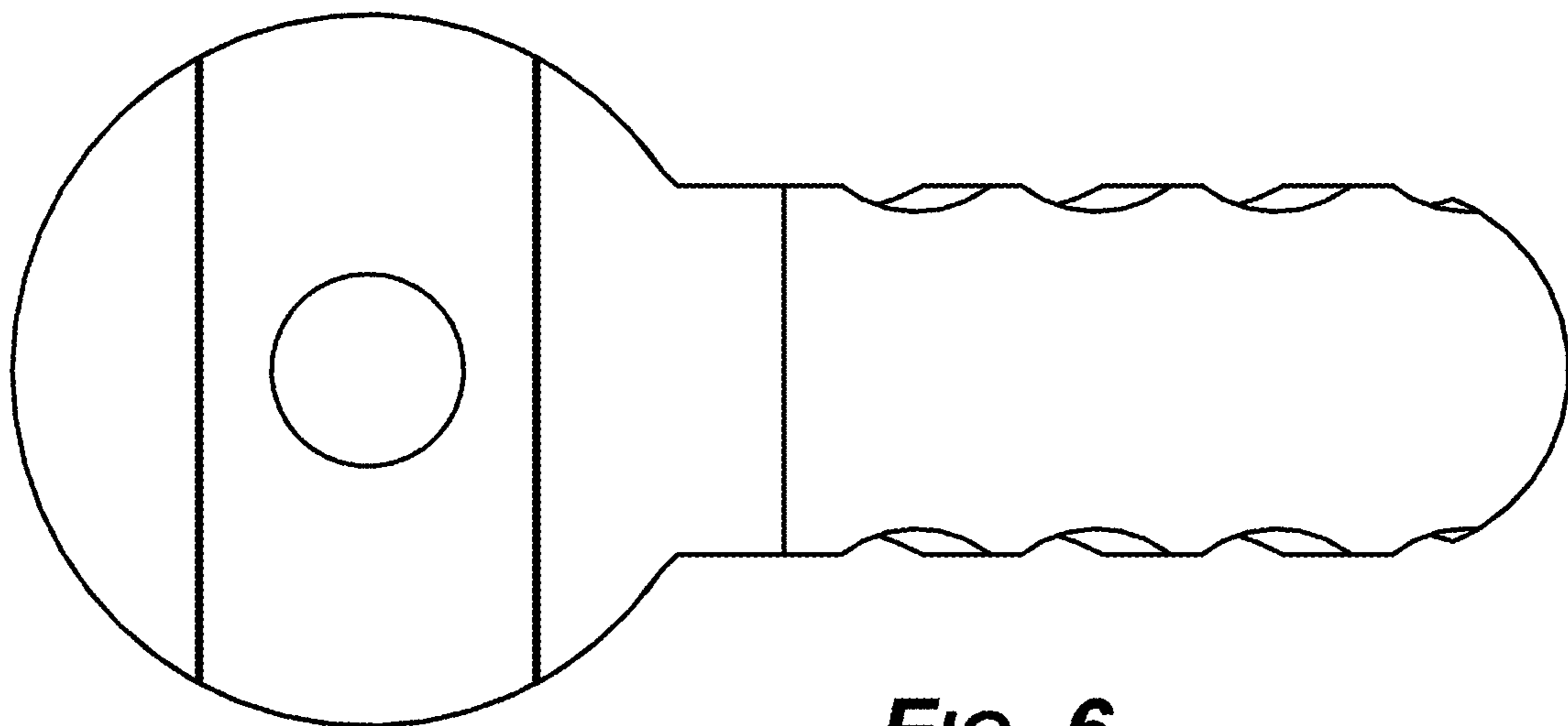


FIG. 6

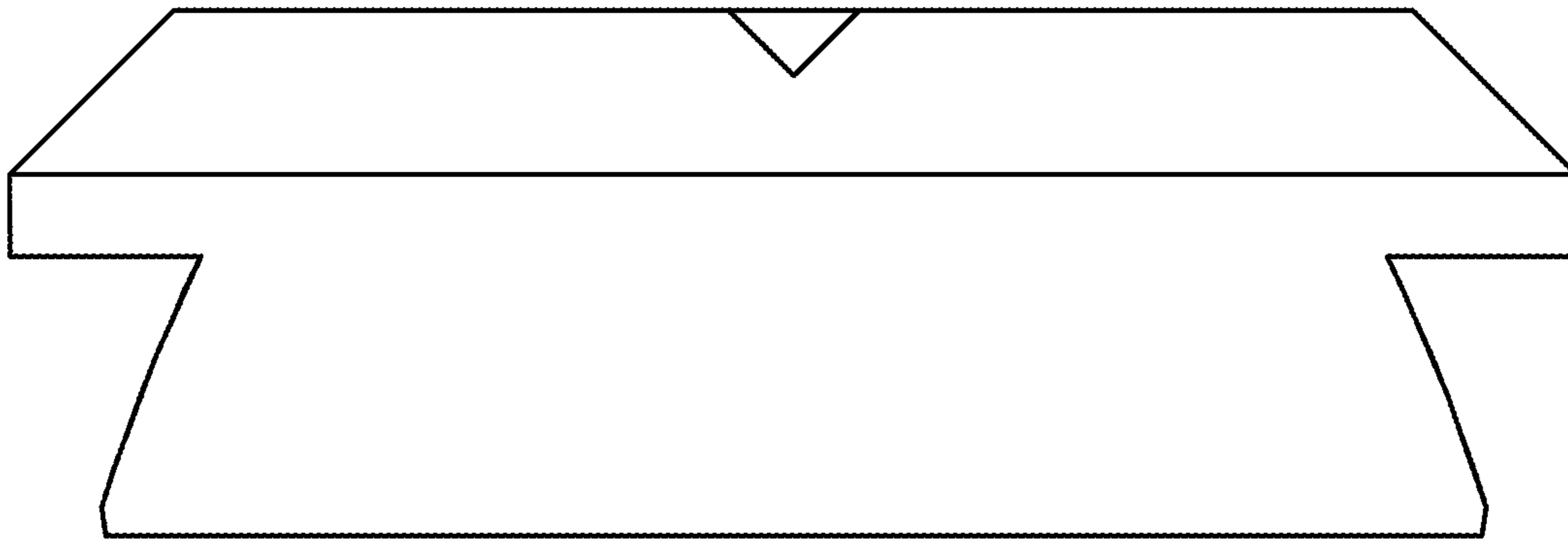


FIG. 7

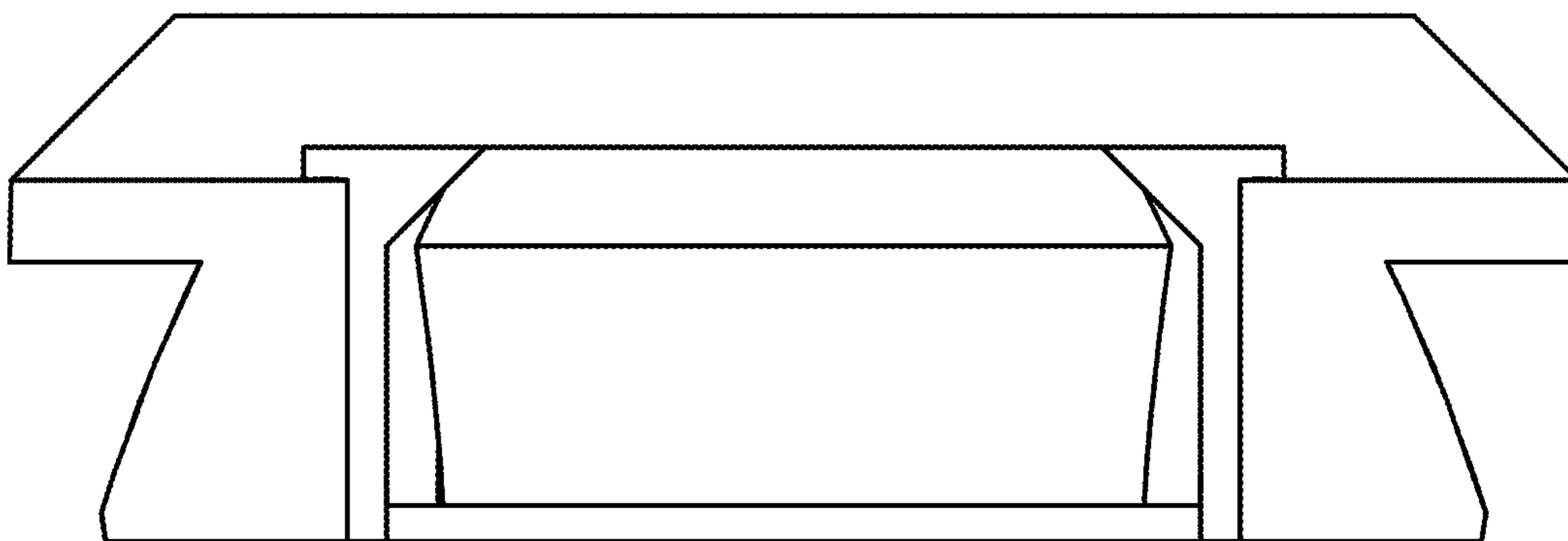


FIG. 8

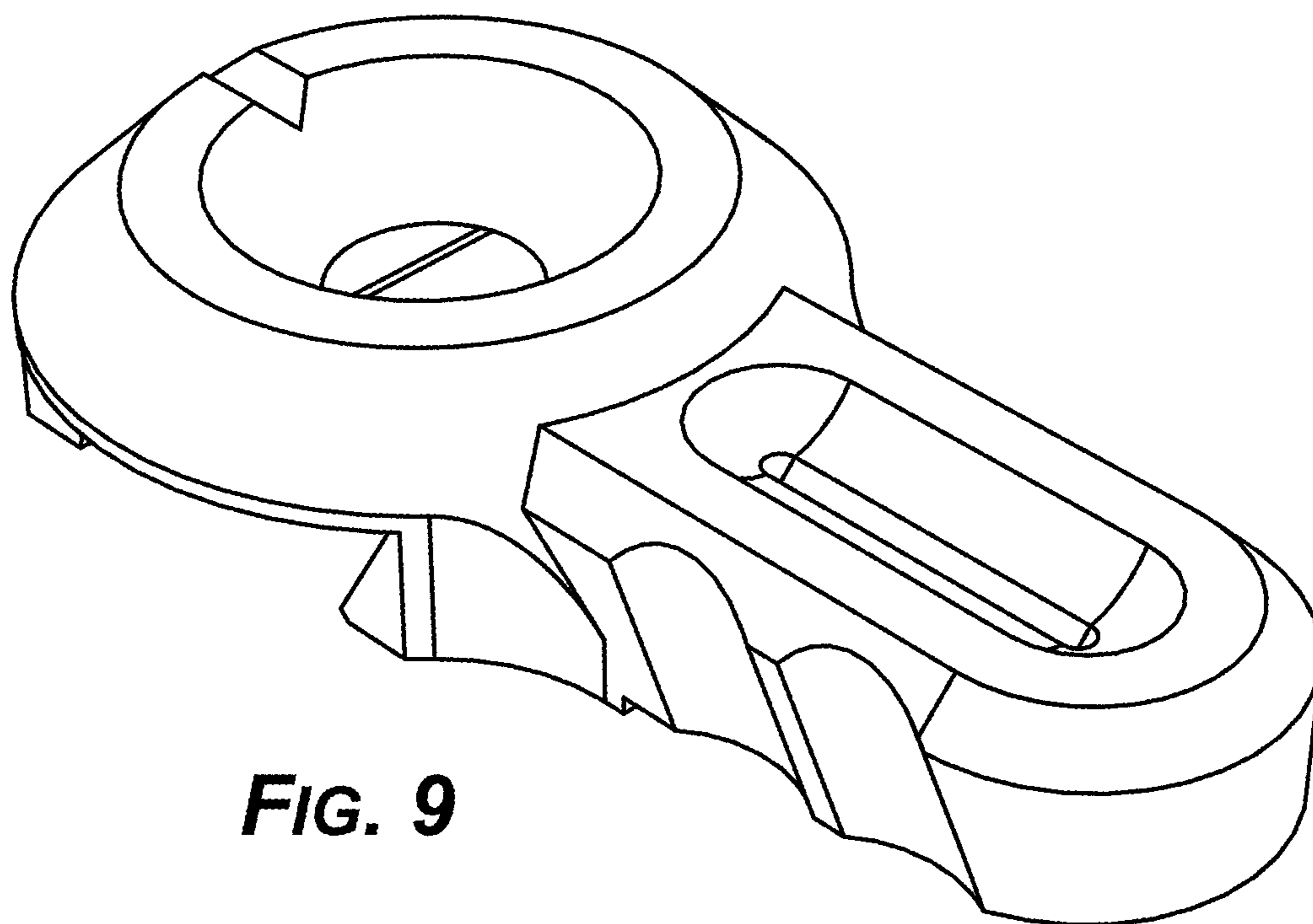


FIG. 9

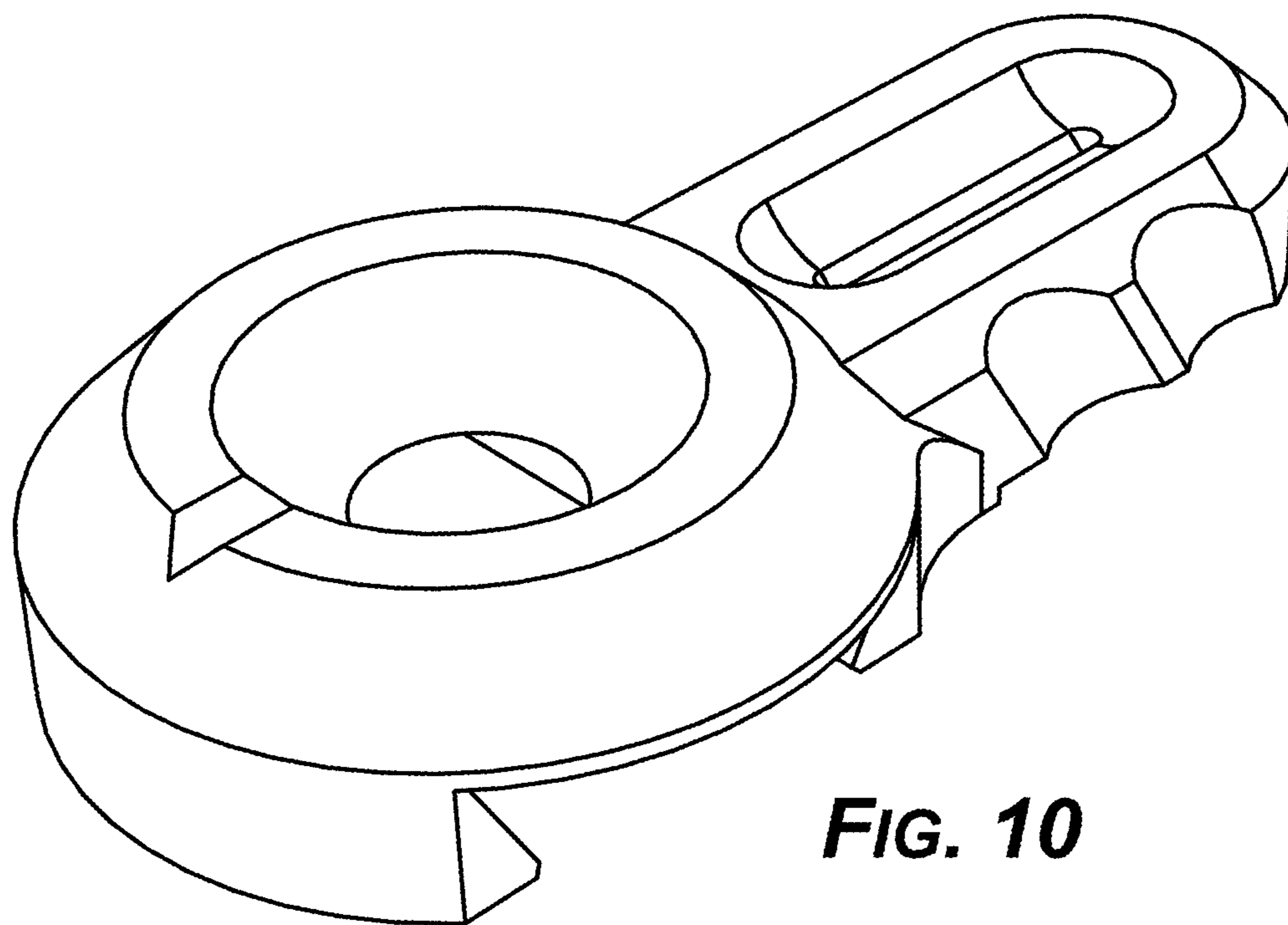


FIG. 10

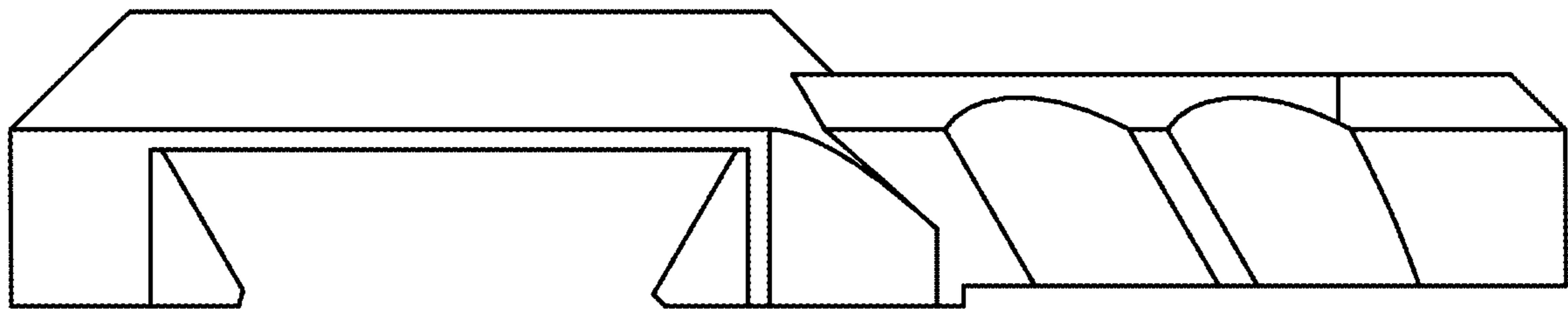


FIG. 11

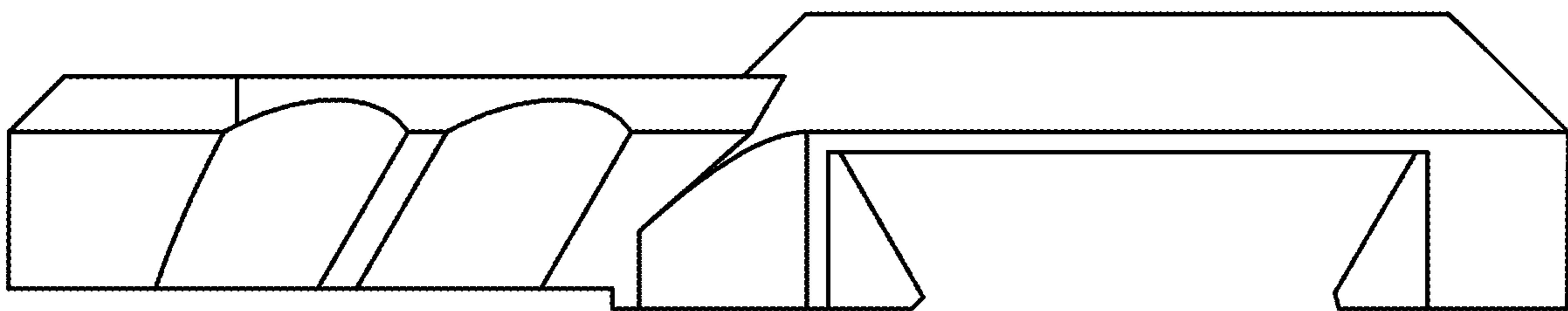


FIG. 12

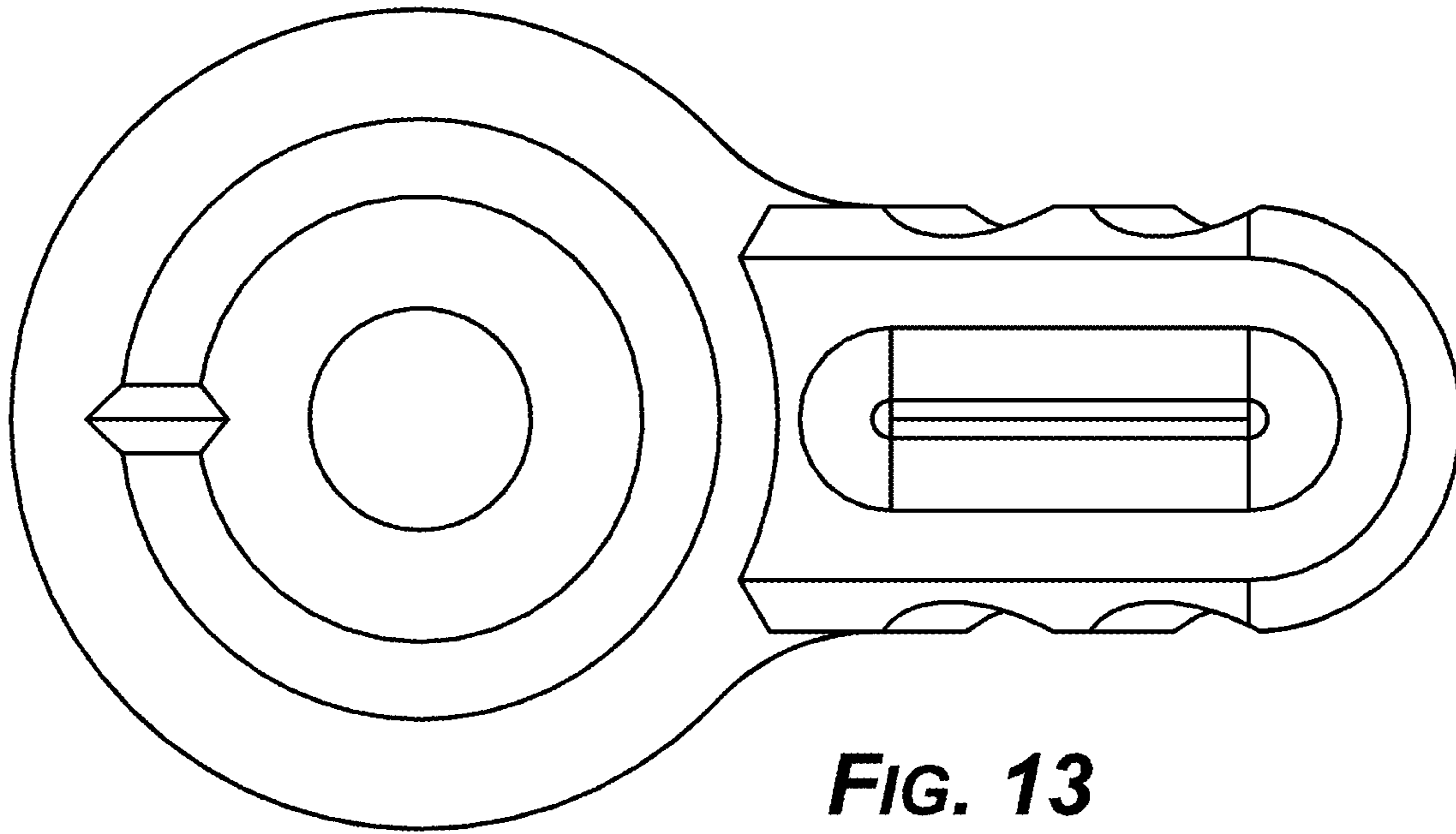


FIG. 13

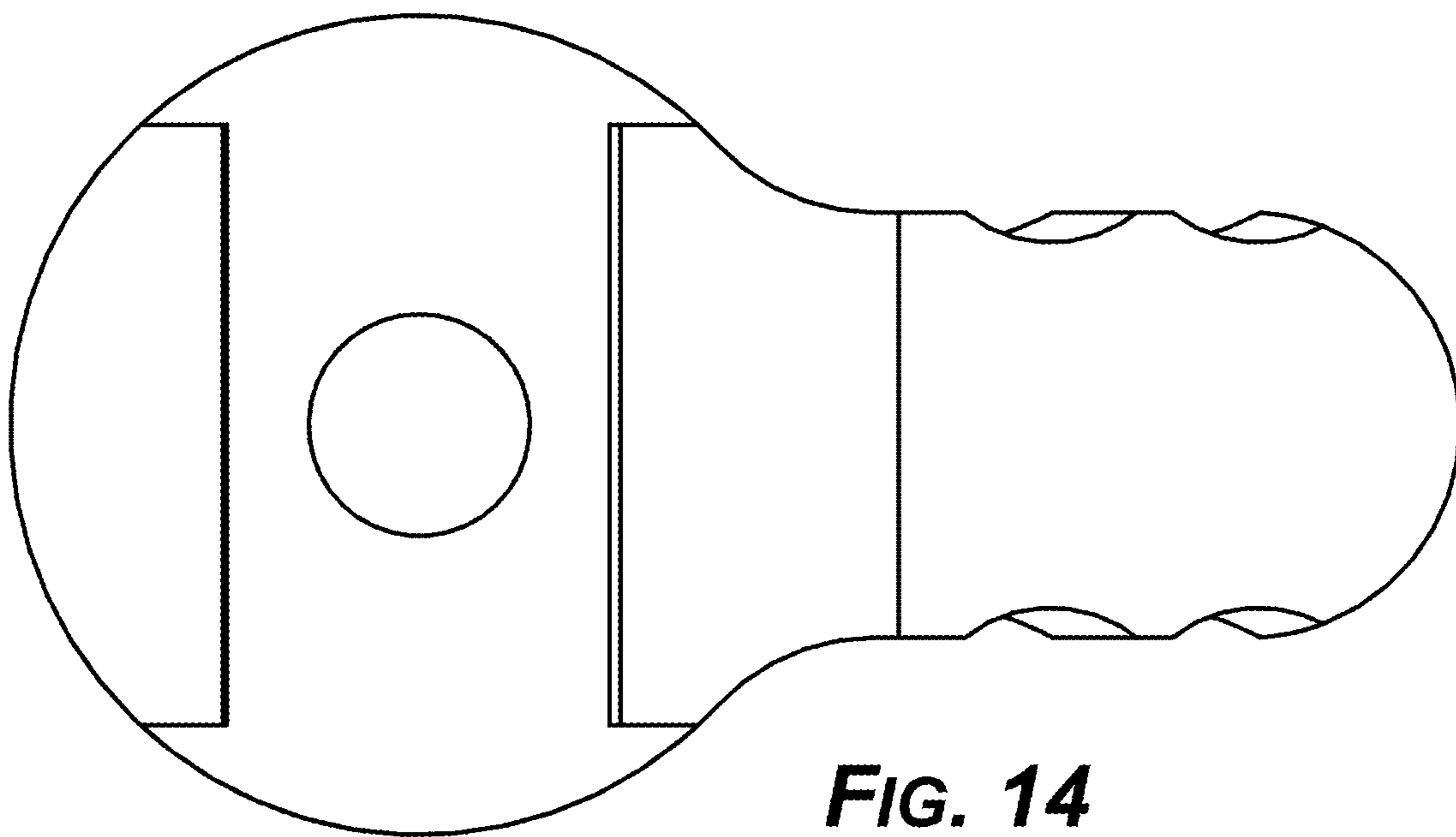


FIG. 14

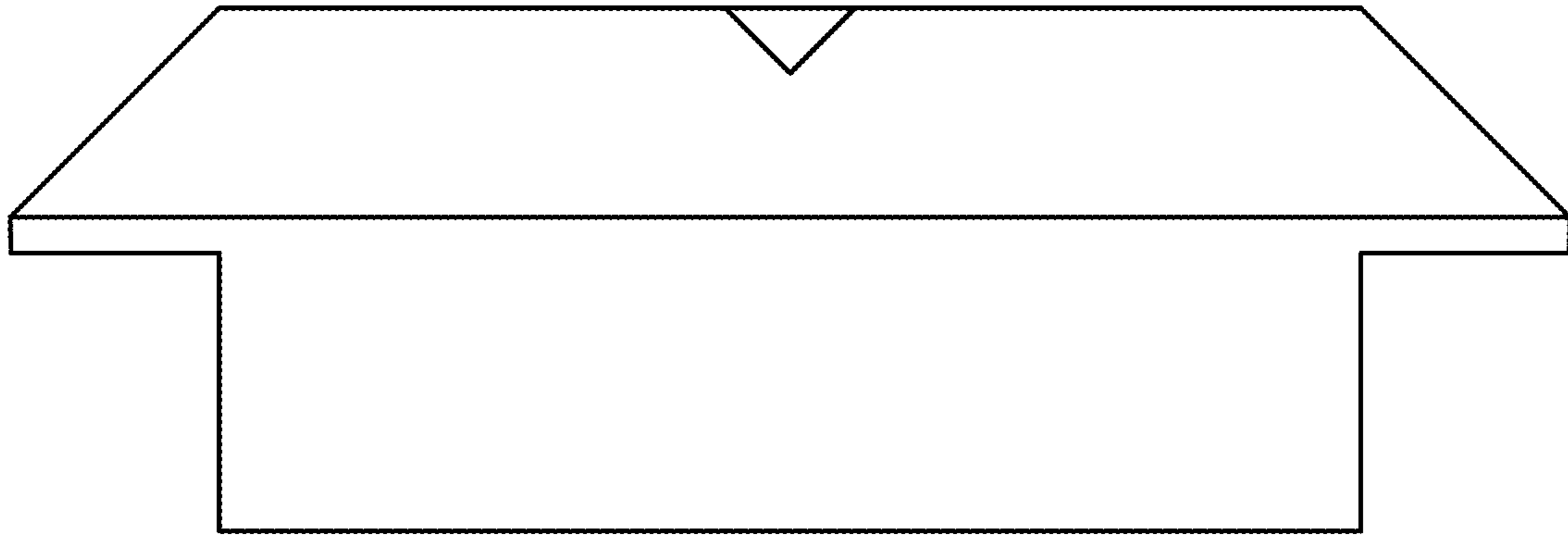


FIG. 15

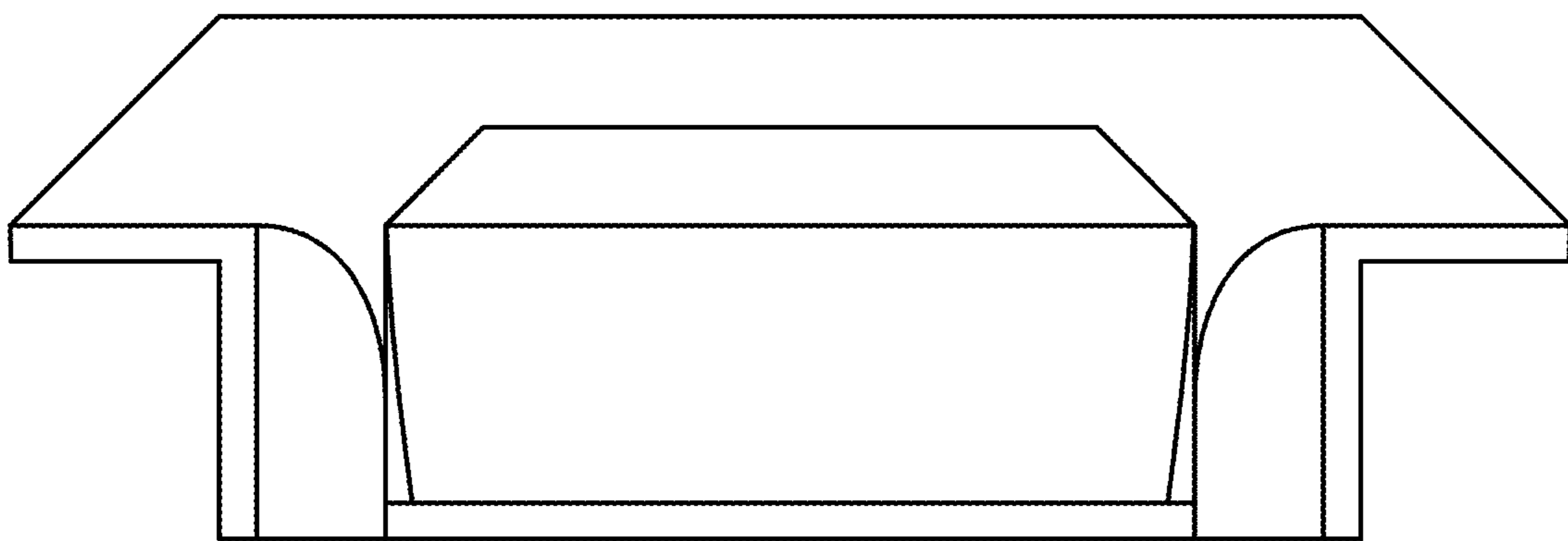


FIG. 16