



US00D904852S

(12) **United States Design Patent** (10) **Patent No.:** **US D904,852 S**  
**Levand et al.** (45) **Date of Patent:** **\*\* Dec. 15, 2020**

(54) **MULTI-TOOL WITH BIT SLOT**

(56) **References Cited**

(71) Applicant: **THE SHERWIN-WILLIAMS COMPANY**, Cleveland, OH (US)  
(72) Inventors: **Victor J. Levand**, Lyndhurst, OH (US); **Sharad Gaurav**, Lakewood (IN); **Sarah Bridget Mulroy**, Rocky River, OH (US); **Joshua R. Robertson**, North Ridgeville, OH (US); **Edward Ray Goodwin**, Westlake, OH (US); **Randi Boss**, Avon Lake, OH (US); **Michael C. Lambertson, Jr.**, Aurora, OH (US)

U.S. PATENT DOCUMENTS

|              |         |            |
|--------------|---------|------------|
| 4,620,369 A  | 11/1986 | Gercken    |
| 5,251,352 A  | 10/1993 | Cullison   |
| 5,546,625 A  | 8/1996  | Mealey     |
| 5,615,445 A  | 4/1997  | Kelsay     |
| 5,956,799 A  | 9/1999  | Panaccione |
| 6,009,581 A  | 1/2000  | Davis      |
| D420,887 S   | 2/2000  | Chen       |
| 6,131,222 A  | 10/2000 | Anderson   |
| 6,131,290 A  | 10/2000 | Chiou      |
| 6,182,317 B1 | 2/2001  | Huang      |
| D444,692 S   | 7/2001  | Marquardt  |
| D446,104 S   | 8/2001  | Chen       |

(Continued)

(73) Assignee: **The Sherwin-Williams Company**, Cleveland, OH (US)

*Primary Examiner* — Philip S Hyder

(74) *Attorney, Agent, or Firm* — Tucker Ellis LLP

(\*\*) Term: **15 Years**

(57) **CLAIM**

The ornamental design for a multi-tool with bit slot, as shown and described.

(21) Appl. No.: **29/705,502**

**DESCRIPTION**

(22) Filed: **Sep. 12, 2019**

**Related U.S. Application Data**

(63) Continuation of application No. 29/659,953, filed on Aug. 14, 2018, now Pat. No. Des. 864,693, which is a continuation of application No. 29/591,135, filed on Jan. 17, 2017, now Pat. No. Des. 828,740.

(51) **LOC (12) Cl.** ..... **08-05**

(52) **U.S. Cl.**  
USPC ..... **D8/107**

(58) **Field of Classification Search**  
USPC ..... D8/45, 107, 14, 82, 83; D4/138;  
D7/395; D32/46, 49, 52

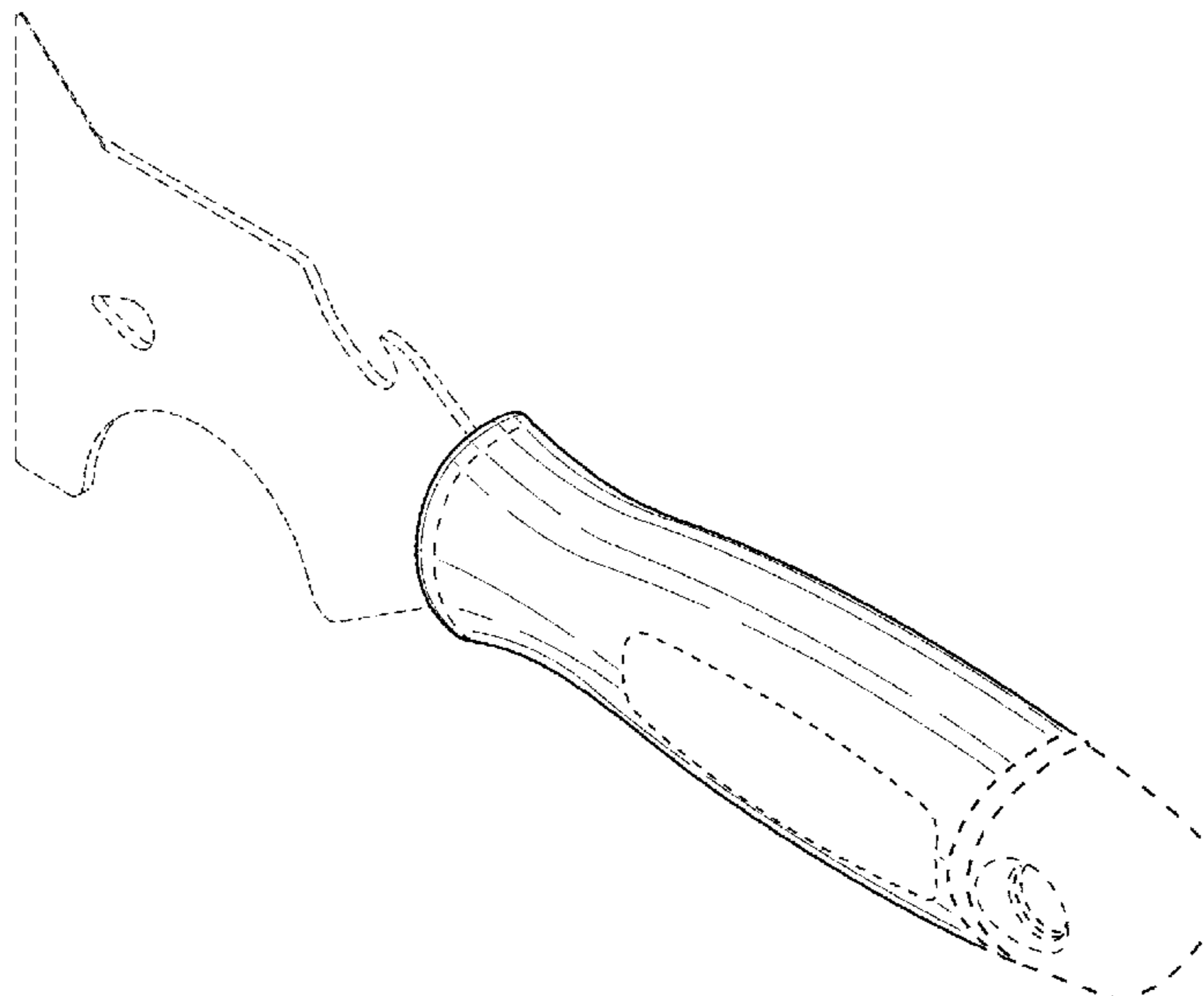
CPC ..... B25G 1/105; B25G 1/102; B25G 1/125;  
B25F 1/00; Y10T 16/44; Y10T 16/498

See application file for complete search history.

FIG. 1 is a top front perspective view of an embodiment of a multi-tool with bit slot showing a new design; FIG. 2 is a top rear perspective view of the multi-tool as illustrated in FIG. 1; FIG. 3 is a bottom rear perspective view of the multi-tool as illustrated in FIG. 1; FIG. 4 is a top view of the multi-tool illustrated in FIG. 1; FIG. 5 is a bottom view of the multi-tool illustrated in FIG. 1; FIG. 6 is a front view of the multi-tool illustrated in FIG. 1; FIG. 7 is a rear view of the multi-tool illustrated in FIG. 1; FIG. 8 is a left side view of the multi-tool illustrated in FIGS. 1; and, FIG. 9 is a right side view of the multi-tool illustrated in FIG. 1.

The broken lines depict portions of the multi-tool with bit slot in which the design is embodied that are not considered part of the claimed design.

**1 Claim, 5 Drawing Sheets**



(56)

**References Cited**

## U.S. PATENT DOCUMENTS

|              |    |         |             |
|--------------|----|---------|-------------|
| D456,236     | S  | 4/2002  | Norton      |
| D462,251     | S  | 9/2002  | Collins     |
| D472,125     | S  | 3/2003  | Hsu         |
| 6,530,098    | B1 | 3/2003  | Gringer     |
| 6,668,751    | B1 | 12/2003 | Henke       |
| D487,387     | S  | 3/2004  | Chen        |
| D498,124     | S  | 11/2004 | Mitchell    |
| D534,781     | S  | 1/2007  | Chen        |
| D535,174     | S  | 1/2007  | Chen        |
| D535,541     | S  | 1/2007  | Holby       |
| D569,215     | S  | 5/2008  | Chiu        |
| 7,434,318    | B2 | 10/2008 | Perez       |
| 7,587,778    | B2 | 9/2009  | Rosso       |
| D608,177     | S  | 1/2010  | Perlman     |
| D612,702     | S  | 3/2010  | Perlman     |
| D629,578     | S  | 12/2010 | Molina      |
| 8,205,341    | B2 | 6/2012  | Rosso       |
| 8,844,087    | B2 | 9/2014  | Henke       |
| 8,844,410    | B2 | 9/2014  | Henke       |
| D719,433     | S  | 12/2014 | Cooper      |
| D733,517     | S  | 7/2015  | Constantine |
| 2007/0074401 | A1 | 4/2007  | Myers       |
| 2009/0293200 | A1 | 12/2009 | Rosso       |
| 2010/0117262 | A1 | 5/2010  | Gringer     |
| 2012/0246946 | A1 | 10/2012 | Kreitz      |

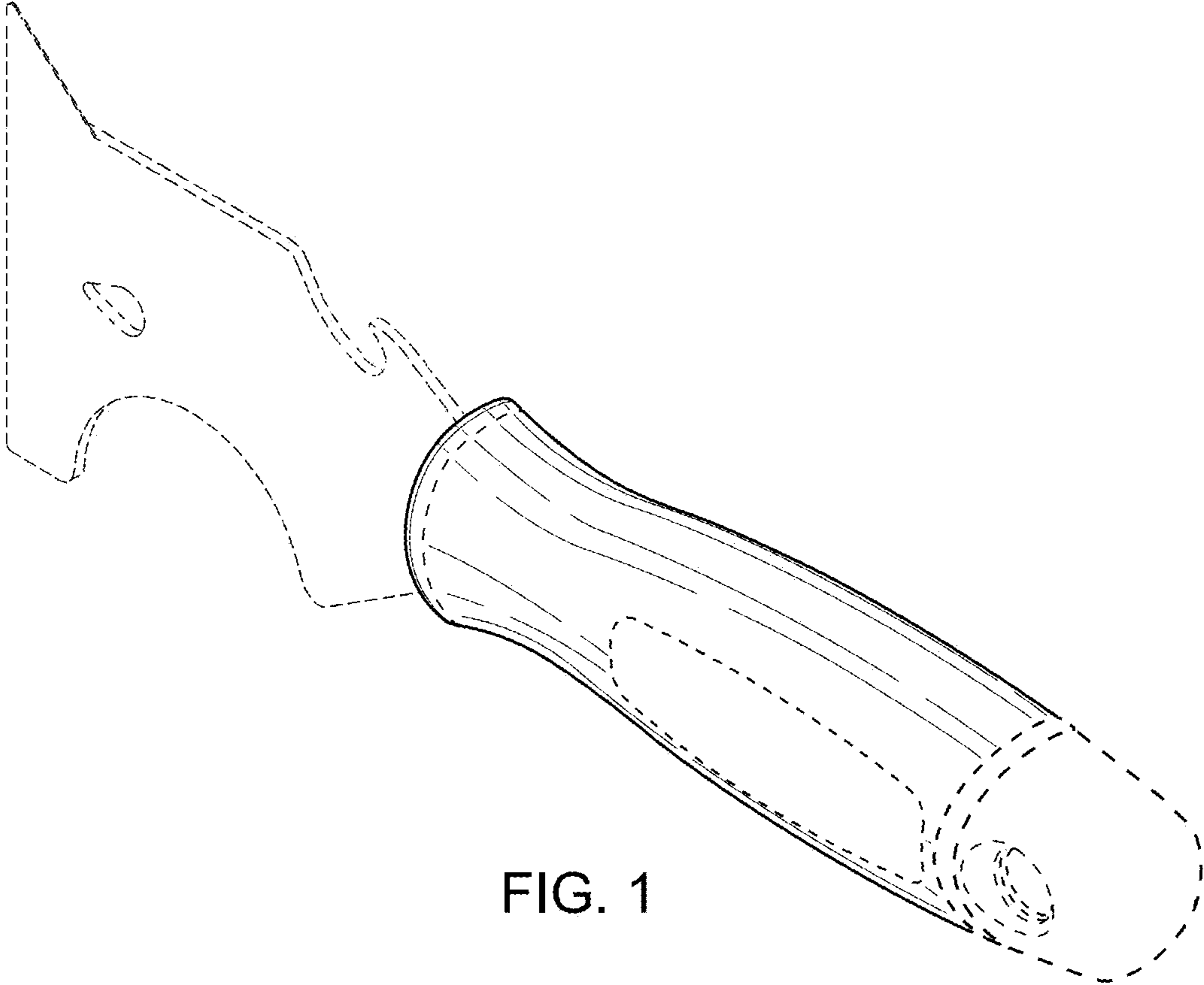


FIG. 1

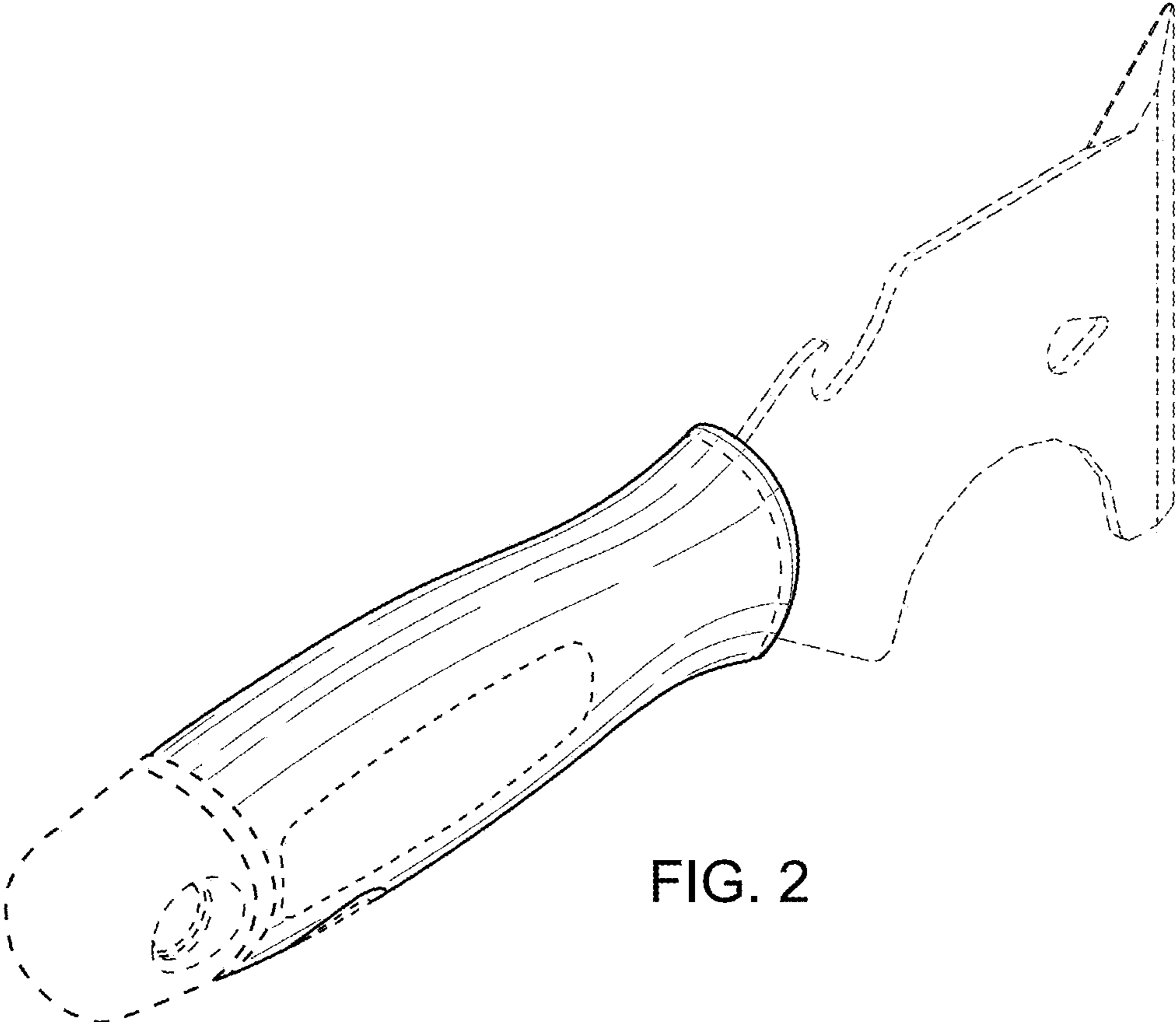


FIG. 2

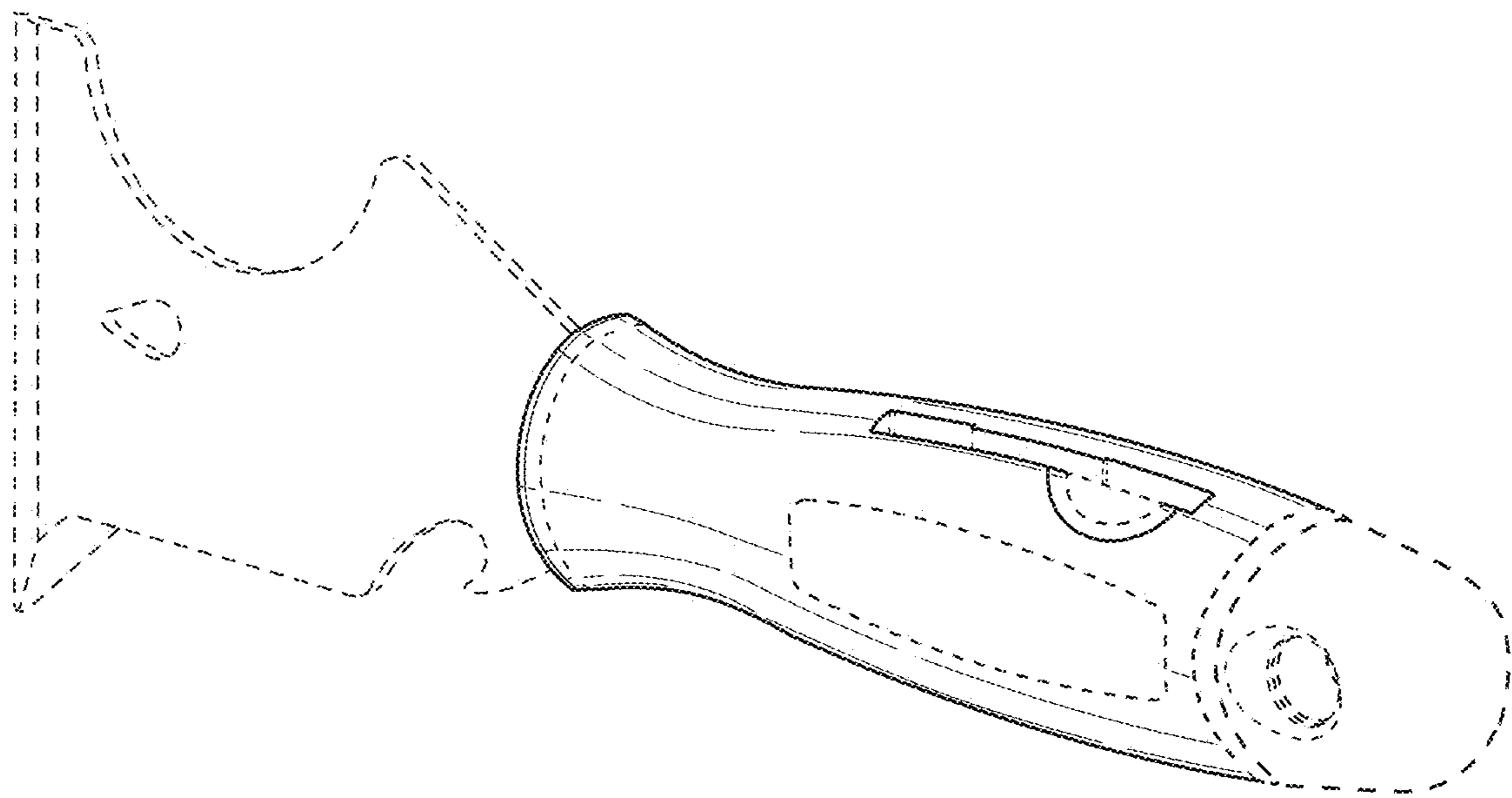


FIG. 3

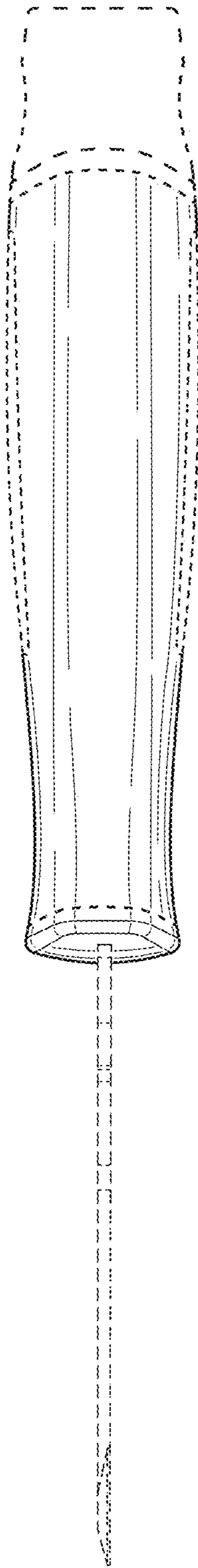


FIG. 4

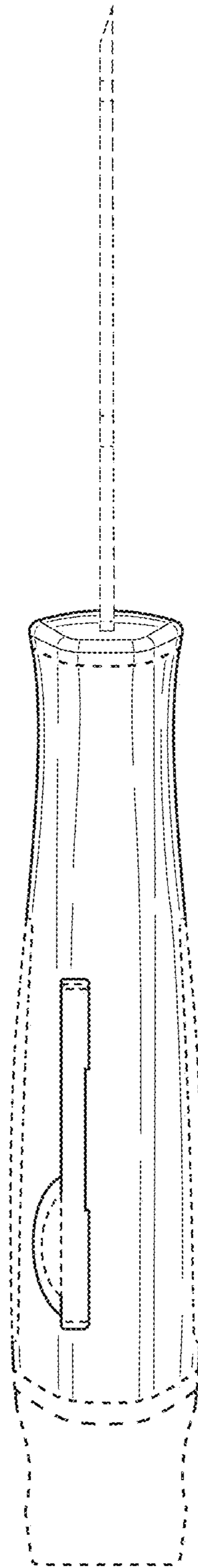


FIG. 5

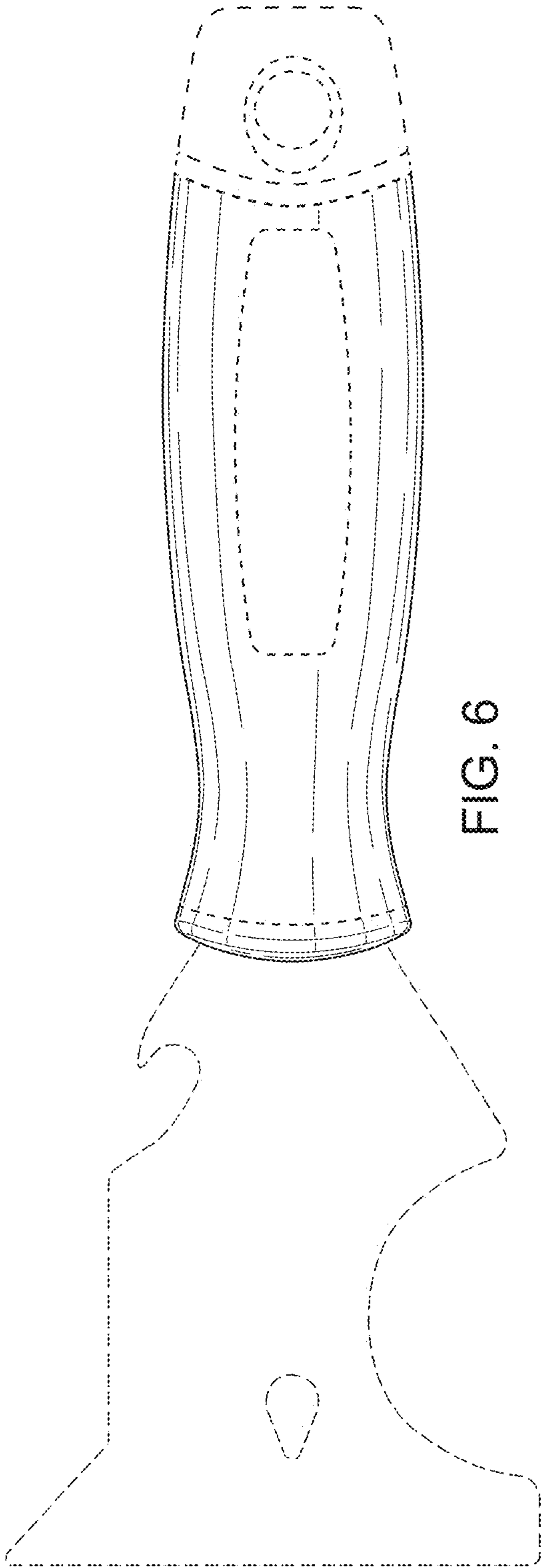


FIG. 6

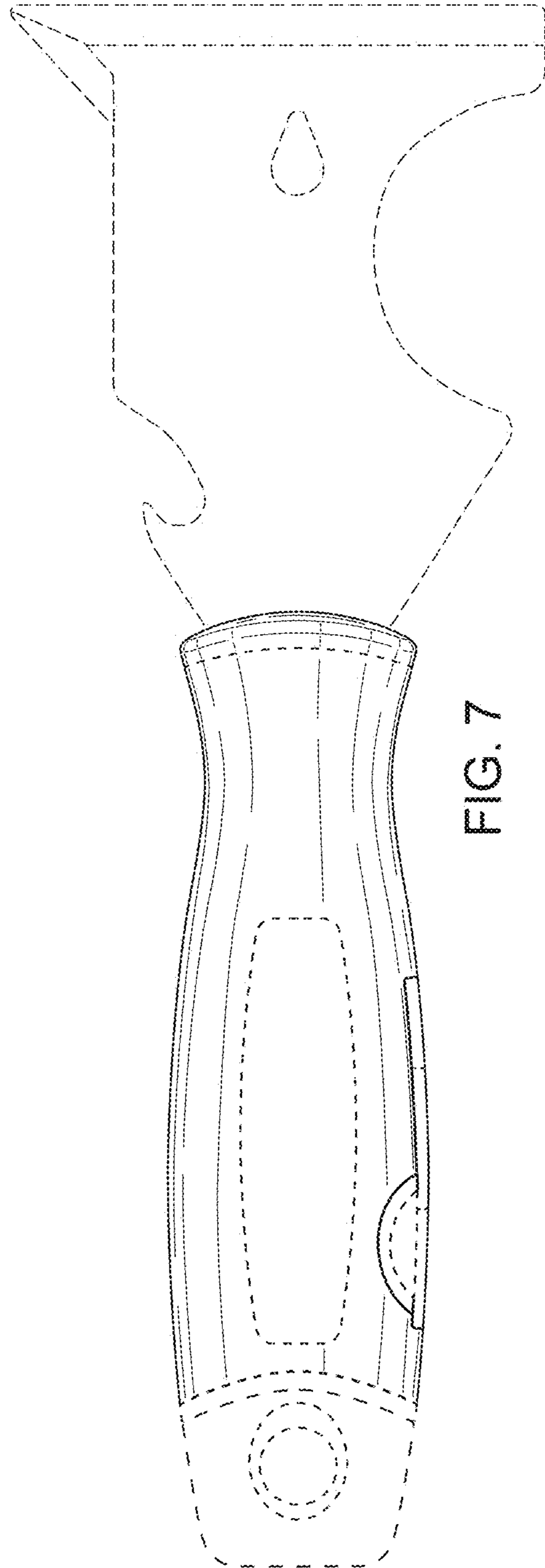


FIG. 7

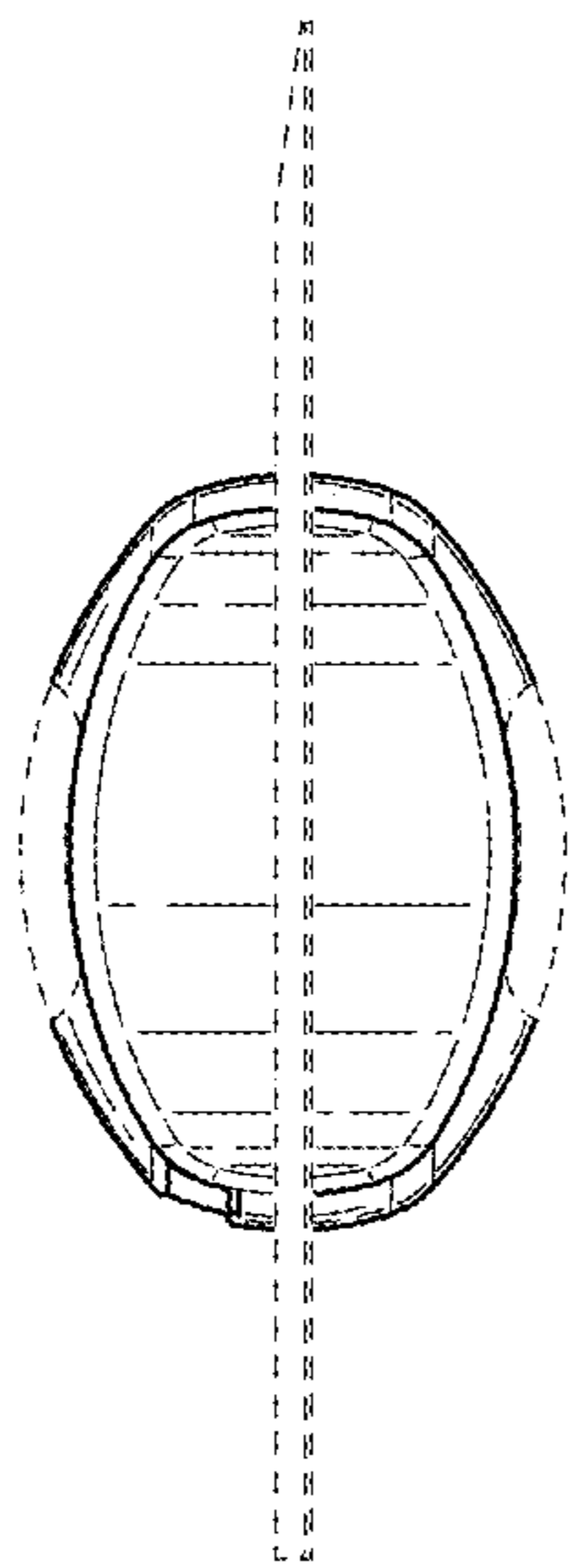


FIG. 8

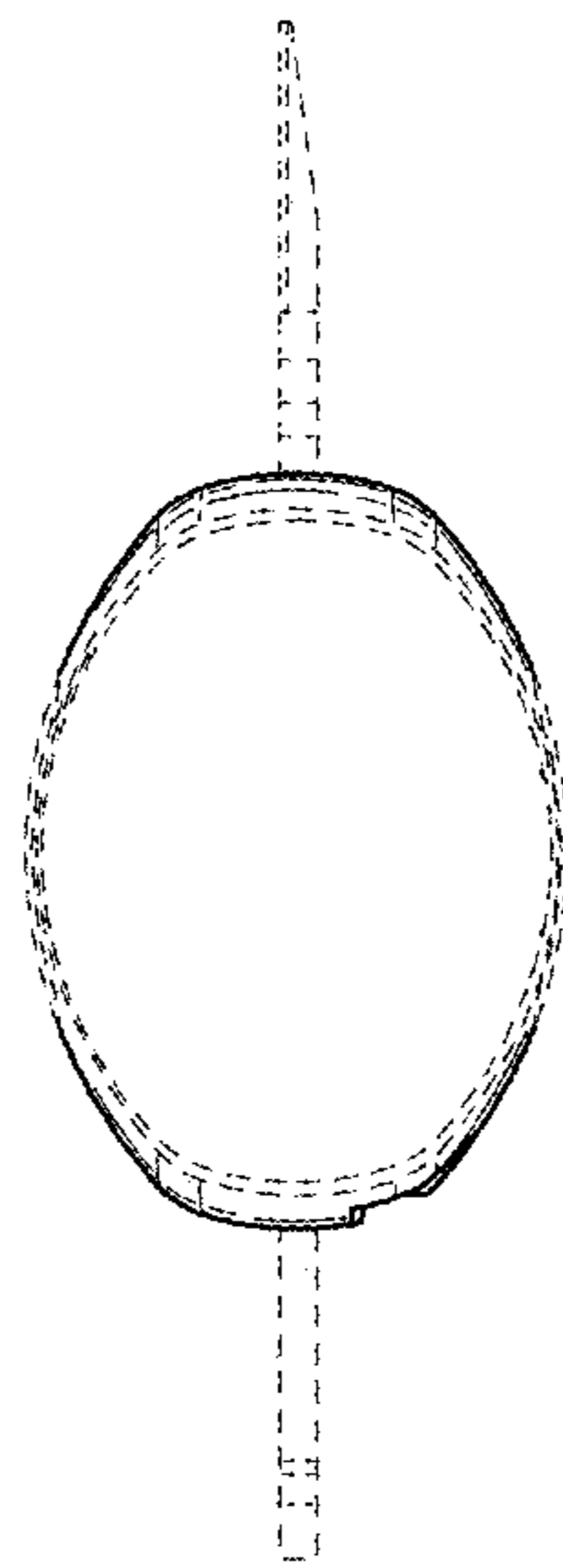


FIG. 9