



US00D904851S

(12) **United States Design Patent** (10) **Patent No.:** **US D904,851 S**
Levand et al. (45) **Date of Patent:** **** *Dec. 15, 2020**

(54) **PREP TOOL**

(56) **References Cited**

(71) Applicant: **THE SHERWIN-WILLIAMS Company**, Cleveland, OH (US)
(72) Inventors: **Victor J. Levand**, Lyndhurst, OH (US); **Joshua R. Robertson**, North Ridgeville, OH (US); **Sarah Bridget Mulroy**, Rocky River, OH (US); **Sharad Gaurav**, Lakewood, OH (US); **Randi Boss**, Avon Lake, OH (US); **Michael C. Lambertson, Jr.**, Aurora, OH (US); **Edward Ray Goodwin, Jr.**, Westlake, OH (US)

U.S. PATENT DOCUMENTS

4,620,369 A	11/1986	Gercken
5,251,352 A	10/1993	Cullison
5,546,625 A	8/1996	Mealey
5,615,445 A	4/1997	Kelsay
5,956,799 A	9/1999	Panaccione
6,009,581 A	1/2000	Davis
6,131,290 A	10/2000	Chiou
6,182,317 B1	2/2001	Huang
D446,104 S	8/2001	Chen
D456,236 S	4/2002	Norton
6,530,098 B1	3/2003	Gringer
6,668,751 B1	12/2003	Henke
D498,124 S	11/2004	Mitchell
D534,781 S	1/2007	Chen

(Continued)

(73) Assignee: **THE SHERWIN-WILLIAMS COMPANY**, Cleveland, OH (US)

Primary Examiner — Philip S Hyder

(*) Notice: This patent is subject to a terminal disclaimer.

(74) *Attorney, Agent, or Firm* — Tucker Ellis LLP

(**) Term: **15 Years**

(57) **CLAIM**

(21) Appl. No.: **29/691,067**

The ornamental design for a prep tool, as shown and described.

(22) Filed: **May 14, 2019**

DESCRIPTION

Related U.S. Application Data

(63) Continuation of application No. 29/629,388, filed on Dec. 13, 2017, now Pat. No. Des. 853,819, which is a continuation of application No. 29/554,070, filed on Feb. 8, 2016, now Pat. No. Des. 808,242.

FIG. 1 is a perspective view of a prep tool showing our new design;

(51) **LOC (12) Cl.** **08-05**

(52) **U.S. Cl.**
USPC **D8/107**

FIG. 2 is front view of the prep tool illustrated in FIG. 1; FIG. 3 is a rear view of the prep tool illustrated in FIG. 1; FIG. 4 is a left side view of the prep tool illustrated in FIG. 1;

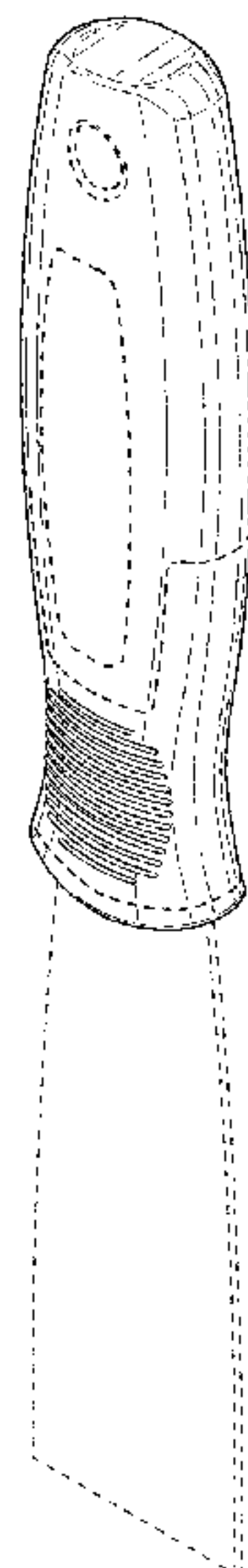
(58) **Field of Classification Search**
USPC D8/14, 45, 107, 82, 83; D7/395; D4/138; D32/46, 49, 52
CPC Y10T 16/44; Y10T 16/498; B25F 1/00; B25G 1/105; B25G 1/102; B25G 1/125
See application file for complete search history.

FIG. 5 is a right side view of the prep tool illustrated in FIG. 1;

FIG. 6 is a top view of the prep tool illustrated in FIG. 1; and, FIG. 7 is a bottom view of the prep tool illustrated in FIG. 1.

The broken lines depict portions of the prep tool in which the design is embodied that are not considered part of the claimed design.

1 Claim, 4 Drawing Sheets



(56)

References Cited

U.S. PATENT DOCUMENTS

D535,174	S	1/2007	Chen
D569,215	S	5/2008	Chiu
7,434,318	B2	10/2008	Perez
7,587,778	B2	9/2009	Rosso
D608,177	S	1/2010	Perlman
8,205,341	B2	6/2012	Rosso
8,844,087	B2	9/2014	Henke
8,844,410	B2	9/2014	Henke
D719,433	S	12/2014	Cooper
2007/0074401	A1	4/2007	Myers
2009/0293200	A1	12/2009	Rosso
2010/0117262	A1	5/2010	Gringer
2012/0246946	A1	10/2012	Kreitz

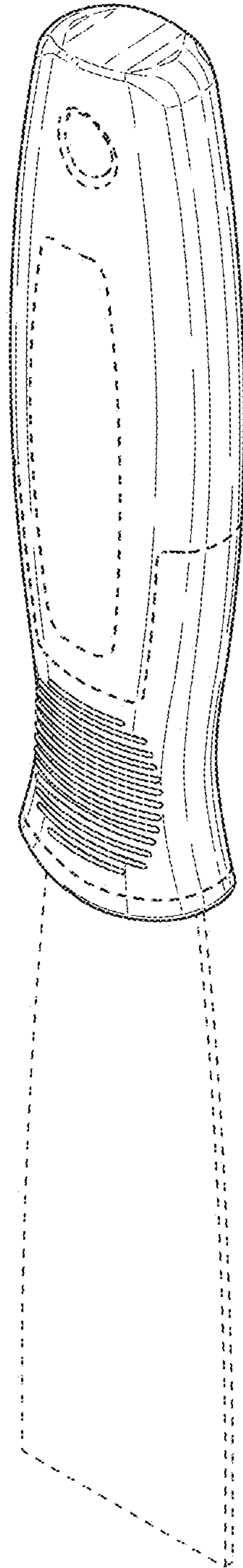


FIG. 1

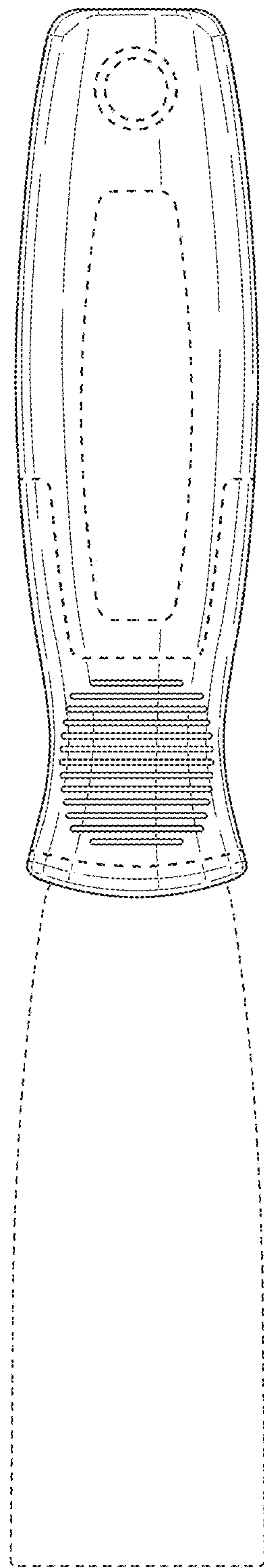


FIG. 2

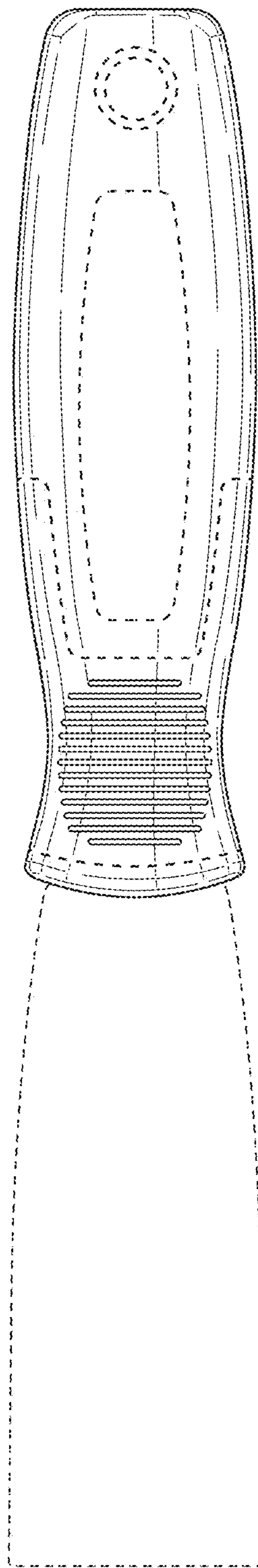


FIG. 3

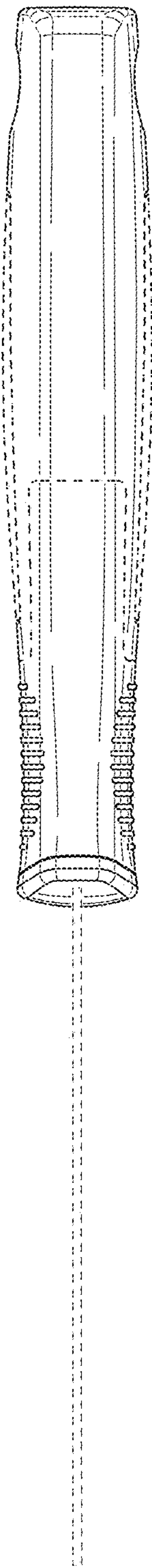


FIG. 4

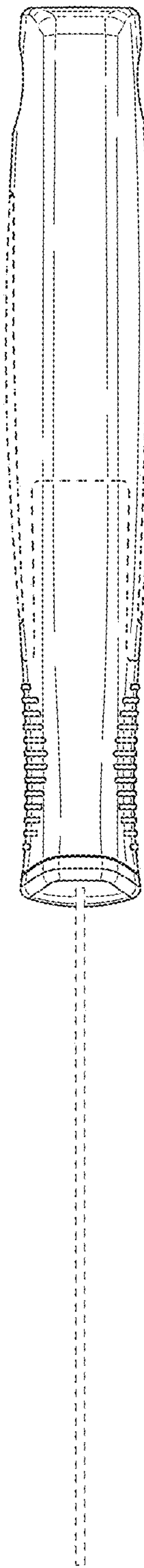


FIG. 5

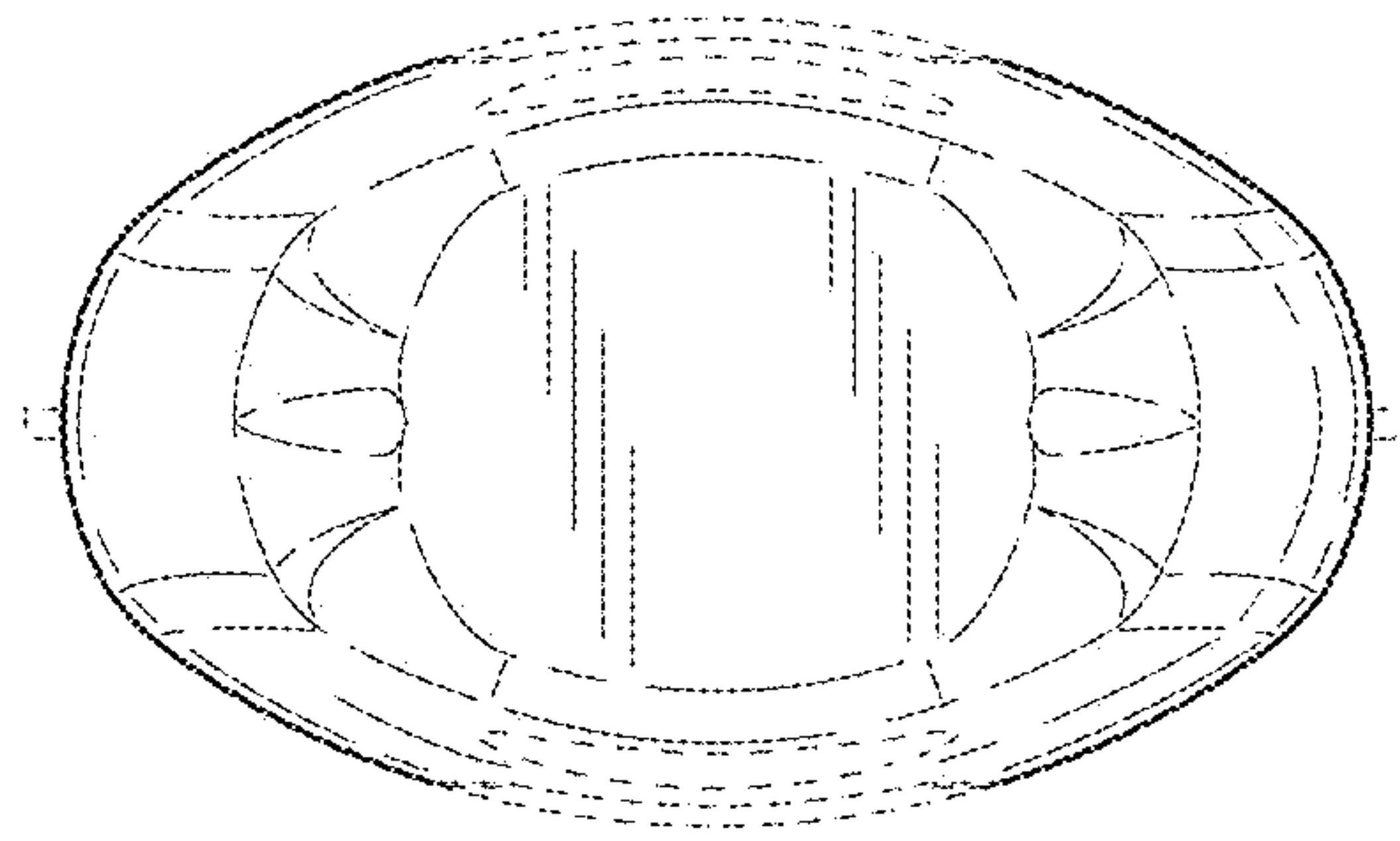


FIG. 6

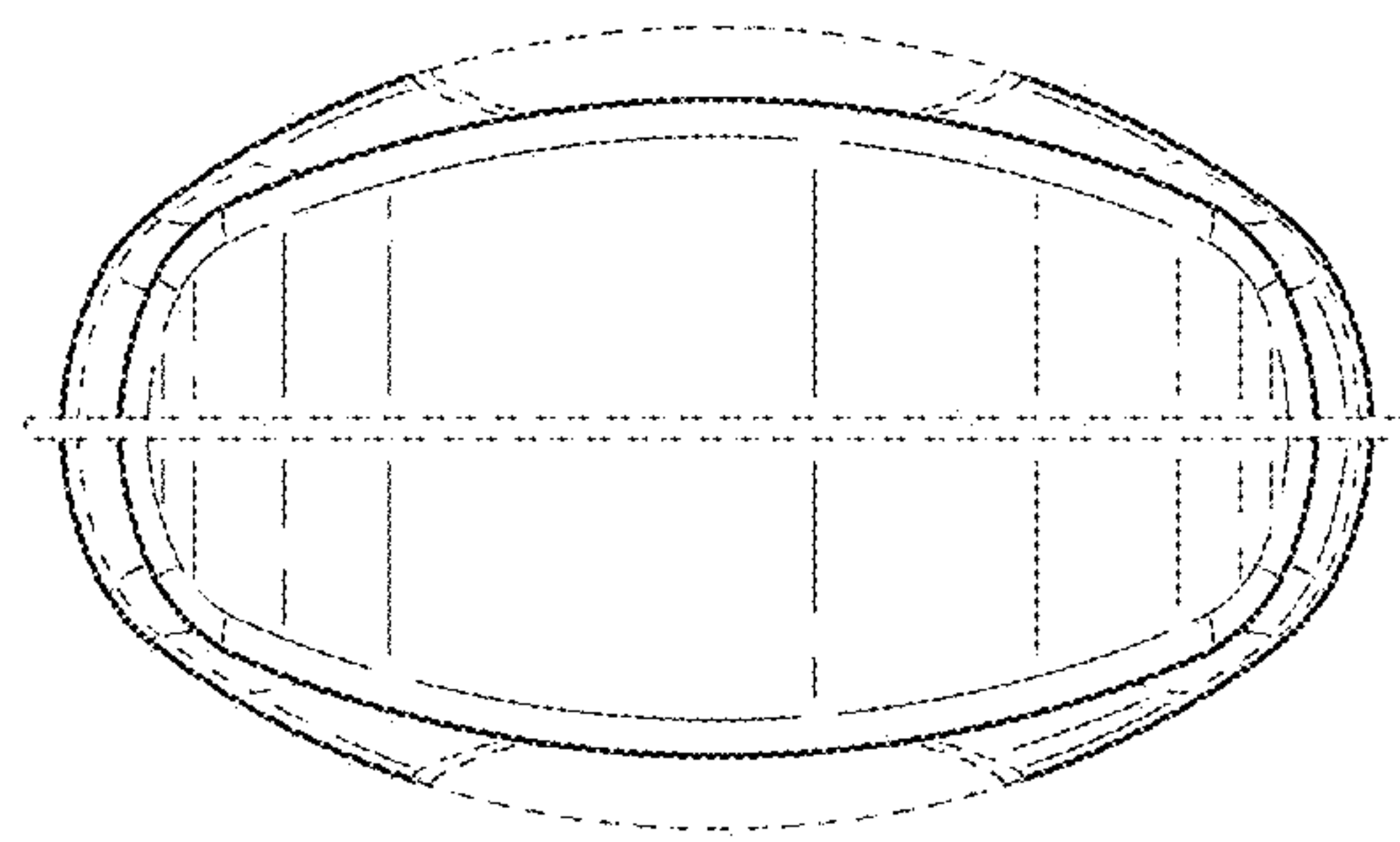


FIG. 7