



US00D904850S

(12) **United States Design Patent**
Grote

(10) **Patent No.:** **US D904,850 S**

(45) **Date of Patent:** **** Dec. 15, 2020**

(54) **UTILITY KNIFE BLADE WITH GRIP**

(71) Applicant: **Mark James Grote**, Broadview, IL
(US)

(72) Inventor: **Mark James Grote**, Broadview, IL
(US)

(**) Term: **15 Years**

(21) Appl. No.: **29/691,411**

(22) Filed: **May 16, 2019**

(51) **LOC (12) Cl.** **08-03**

(52) **U.S. Cl.**
USPC **D8/98**

(58) **Field of Classification Search**
USPC D8/14, 98, 45, 107; D32/46
CPC B26B 5/006; B26B 5/005
See application file for complete search history.

(56) **References Cited**

U.S. PATENT DOCUMENTS

- 4,558,517 A * 12/1985 Gringer B44D 3/164
15/236.01
- 4,612,707 A * 9/1986 Shea B26B 29/02
30/162
- 4,979,300 A * 12/1990 Blank B26B 5/00
30/169
- D330,445 S * 10/1992 Hay D32/46

- D352,432 S * 11/1994 Monroe D32/41
- 5,666,732 A * 9/1997 Shea B26B 5/006
30/169
- 5,771,589 A * 6/1998 Kim B26B 5/006
30/346.58
- 5,943,781 A * 8/1999 Kim B23K 20/10
30/346.58
- 6,240,650 B1 * 6/2001 Olson B44C 7/08
33/354
- D586,512 S * 2/2009 van Deursen D32/46
- D624,262 S * 9/2010 Gringer D32/46
- 10,099,261 B1 * 10/2018 Koch B08B 1/005
- 2002/0100135 A1 * 8/2002 Machesky A47L 13/11
15/245

* cited by examiner

Primary Examiner — Philip S Hyder

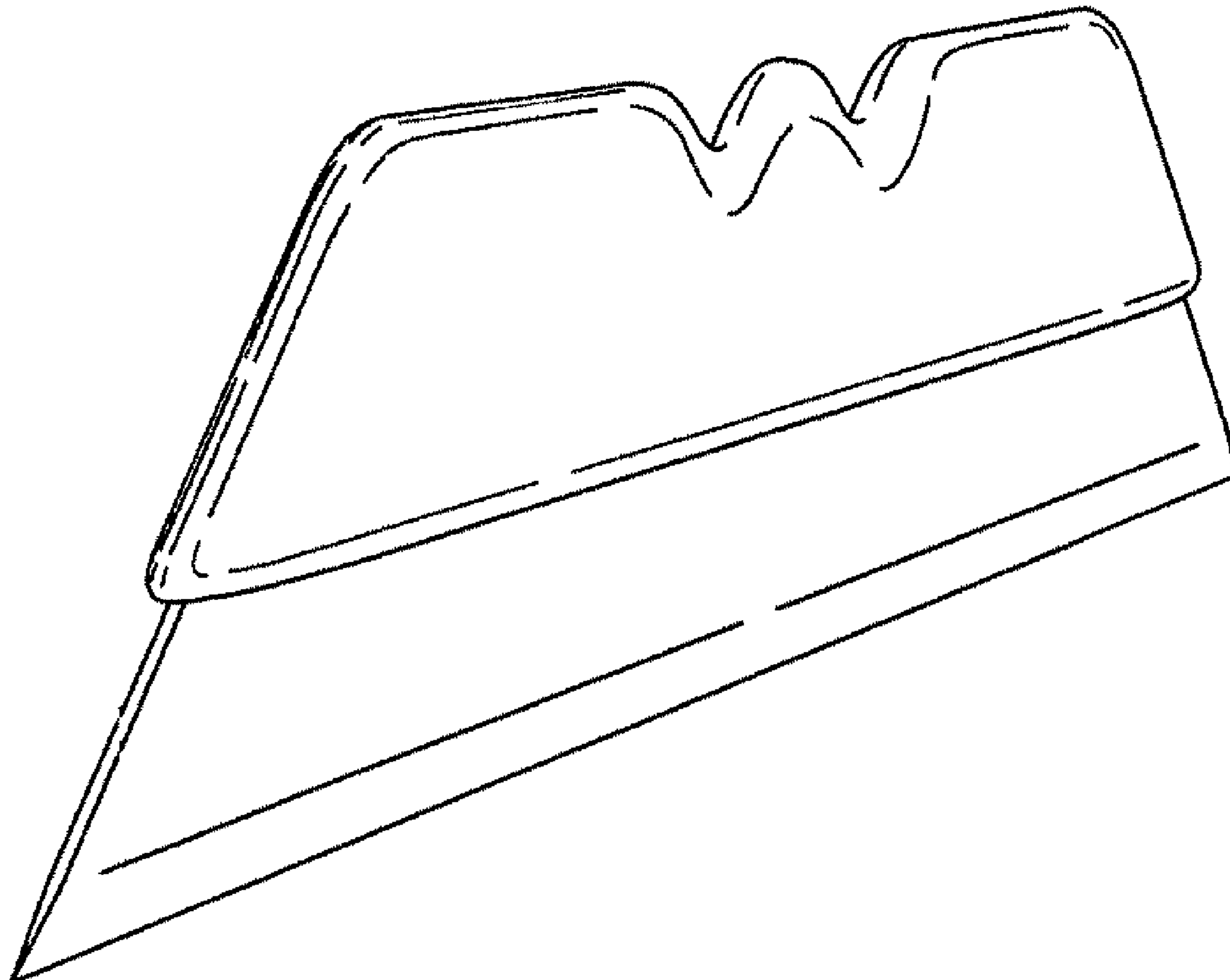
(57) **CLAIM**

The ornamental design for a utility knife blade with grip, as shown.

DESCRIPTION

- FIG. 1, depicts a front view of the utility knife blade with grip.
- FIG. 2, depicts a perspective view of the utility knife blade with grip.
- FIG. 3, depicts a side view of the utility knife blade with grip; and,
- FIG. 4, depicts a top view of the utility knife blade with grip.

1 Claim, 1 Drawing Sheet



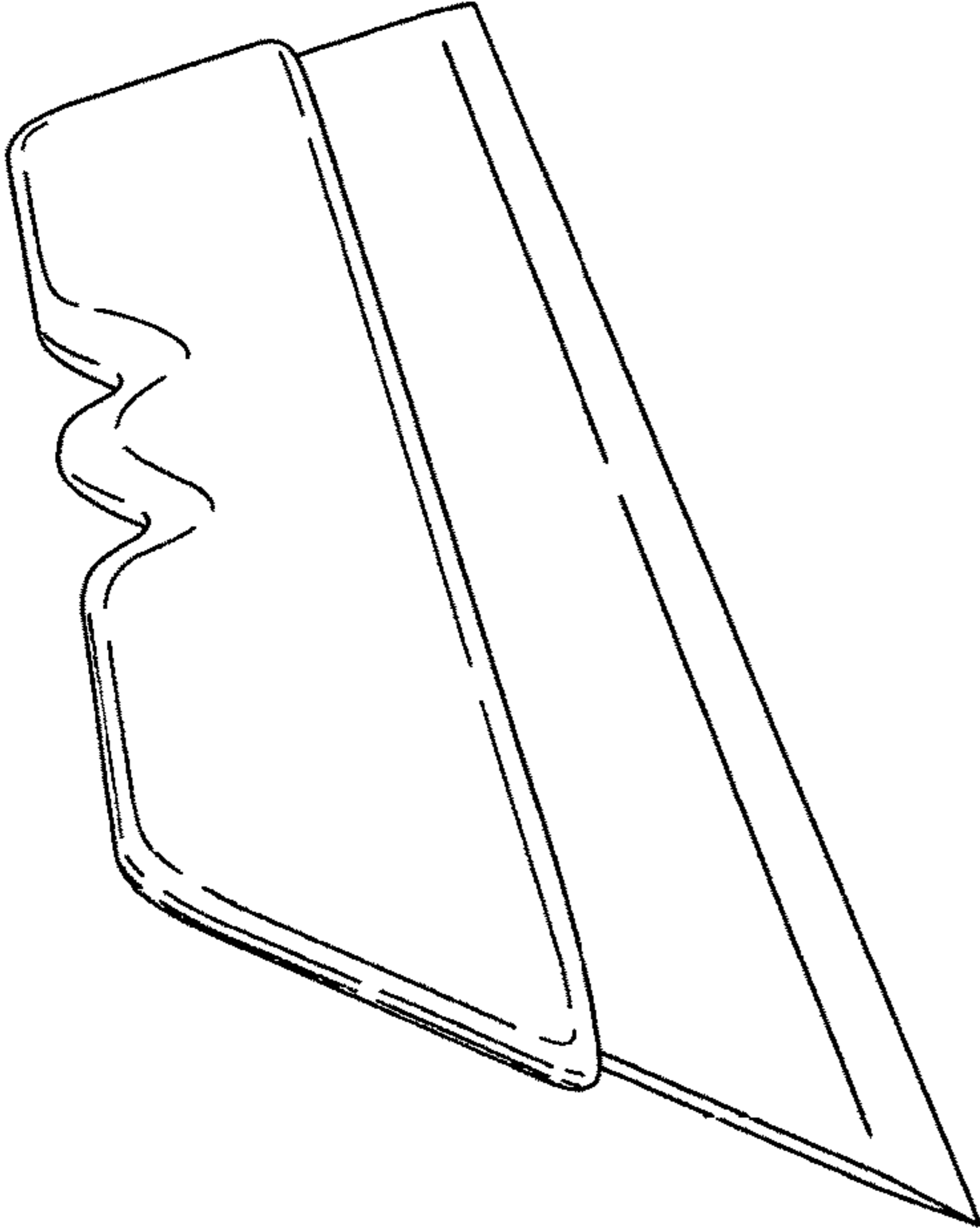


FIG. 1

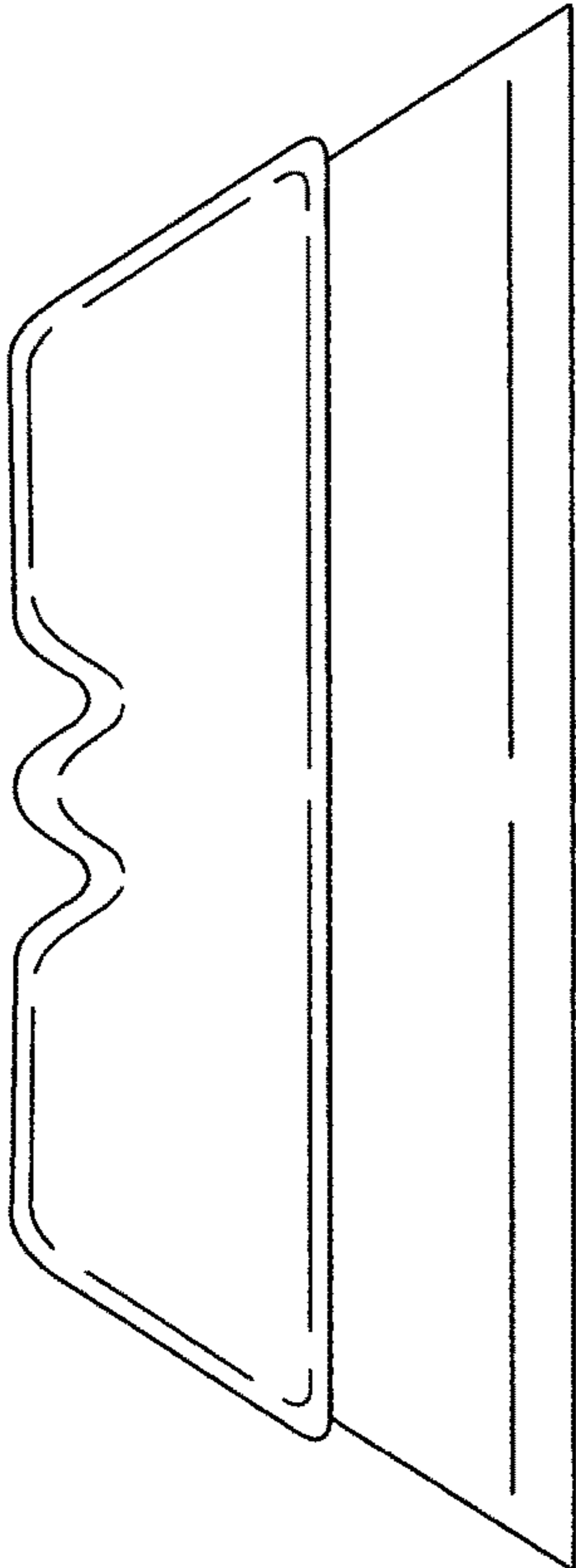


FIG. 2

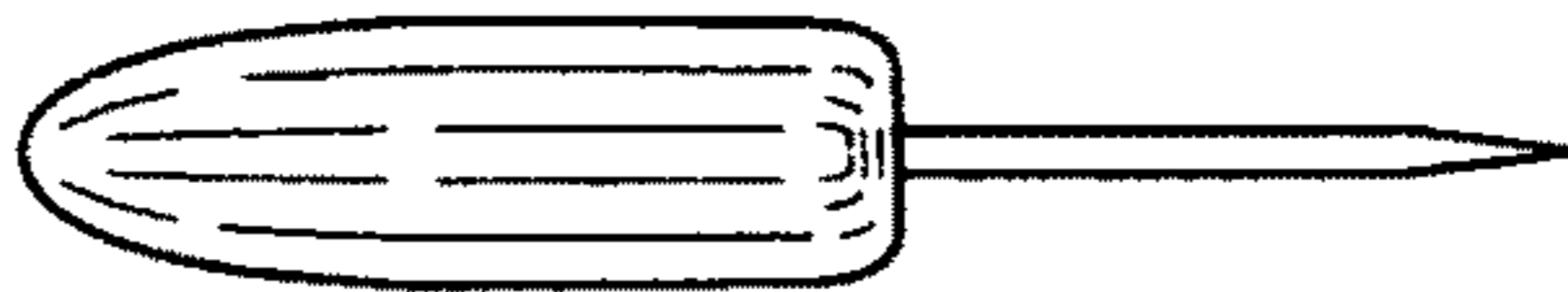


FIG. 3

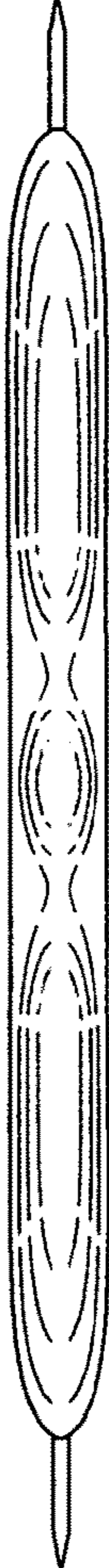


FIG. 4