



US00D904849S

(12) **United States Design Patent**
Nemoto

(10) **Patent No.:** **US D904,849 S**

(45) **Date of Patent:** **** Dec. 15, 2020**

(54) **WIRE INSULATION STRIPPING TOOL**

(71) Applicant: **Hakko Corporation**, Osaka (JP)

(72) Inventor: **Hisao Nemoto**, Osaka (JP)

(73) Assignee: **HAKKO CORPORATION**, Osaka (JP)

(**) Term: **15 Years**

(21) Appl. No.: **29/682,050**

(22) Filed: **Mar. 1, 2019**

(30) **Foreign Application Priority Data**

Sep. 3, 2018 (JP) 2018-019207

(51) **LOC (12) Cl.** **08-05**

(52) **U.S. Cl.**
USPC **D8/98**

(58) **Field of Classification Search**
USPC D8/14, 30, 98
See application file for complete search history.

(56) **References Cited**

U.S. PATENT DOCUMENTS

- 3,752,017 A * 8/1973 Lloyd B23K 3/0307
81/9.44
- 4,932,291 A * 6/1990 Potesta H02G 1/1278
219/233
- 5,257,555 A * 11/1993 Saunders H02G 1/1278
219/221
- 5,351,580 A * 10/1994 Potesta H02G 1/1275
219/233
- D381,880 S * 8/1997 LaValley D8/29.2
- 5,690,847 A * 11/1997 LaValley B23K 3/0369
219/233

- 6,750,431 B2 * 6/2004 Miyazaki H05K 13/0491
219/227
- 6,972,396 B2 * 12/2005 Miyazaki B23K 3/033
219/229
- D548,554 S * 8/2007 Miyazaki D8/51
- D564,318 S * 3/2008 Miyazaki D8/29.1
- D576,468 S * 9/2008 Lipscomb D8/107
- D641,221 S * 7/2011 Miyazaki D8/29.1
- 8,013,276 B2 * 9/2011 Carlomagno B23K 3/0476
219/221
- D817,135 S * 5/2018 Huesman D8/57

* cited by examiner

Primary Examiner — Philip S Hyder

(74) *Attorney, Agent, or Firm* — Squire Patton Boggs (US) LLP

(57) **CLAIM**

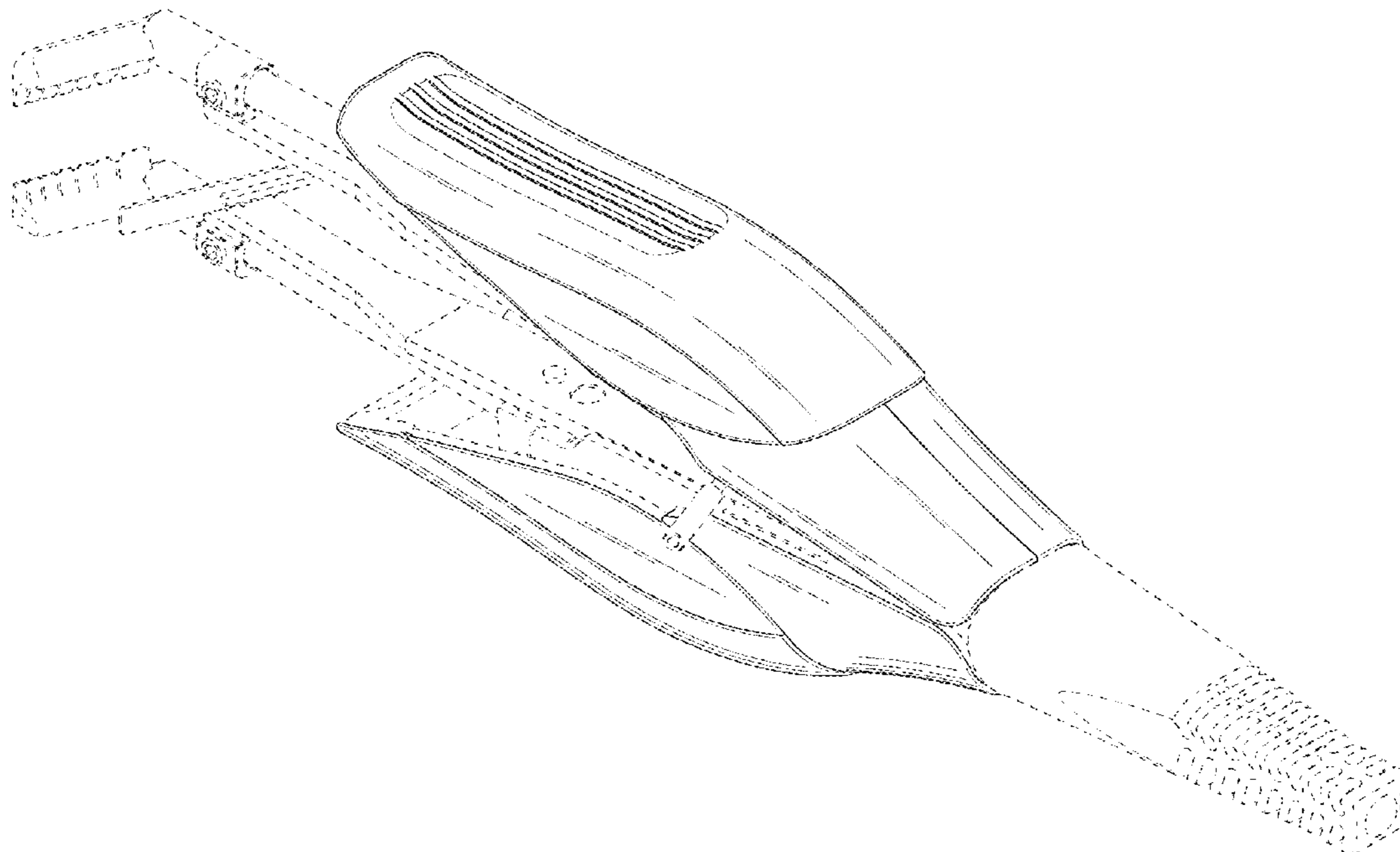
The ornamental design for a wire insulation stripping tool, as shown and described.

DESCRIPTION

FIG. 1 is a first perspective view of a wire insulation stripping tool;
FIG. 2 is a second perspective view thereof;
FIG. 3 is a front view thereof;
FIG. 4 is a rear view thereof;
FIG. 5 is a left side view thereof;
FIG. 6 is a right side view thereof;
FIG. 7 is a top view thereof; and,
FIG. 8 is a bottom view thereof.

The broken lines depict portions of the wire insulation stripping tool in which the design is embodied that are not considered part of the claimed design.

1 Claim, 6 Drawing Sheets



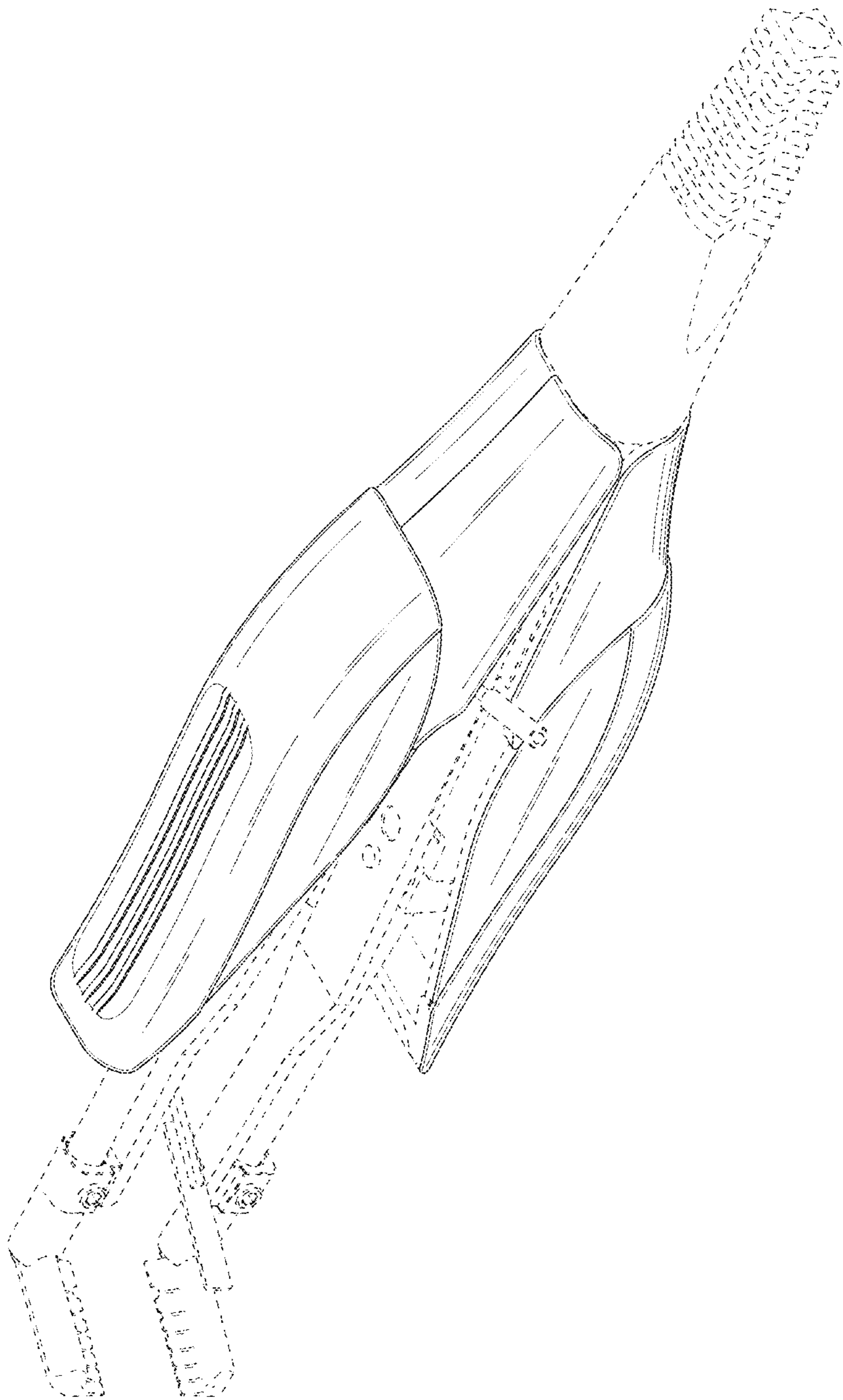


FIG.1

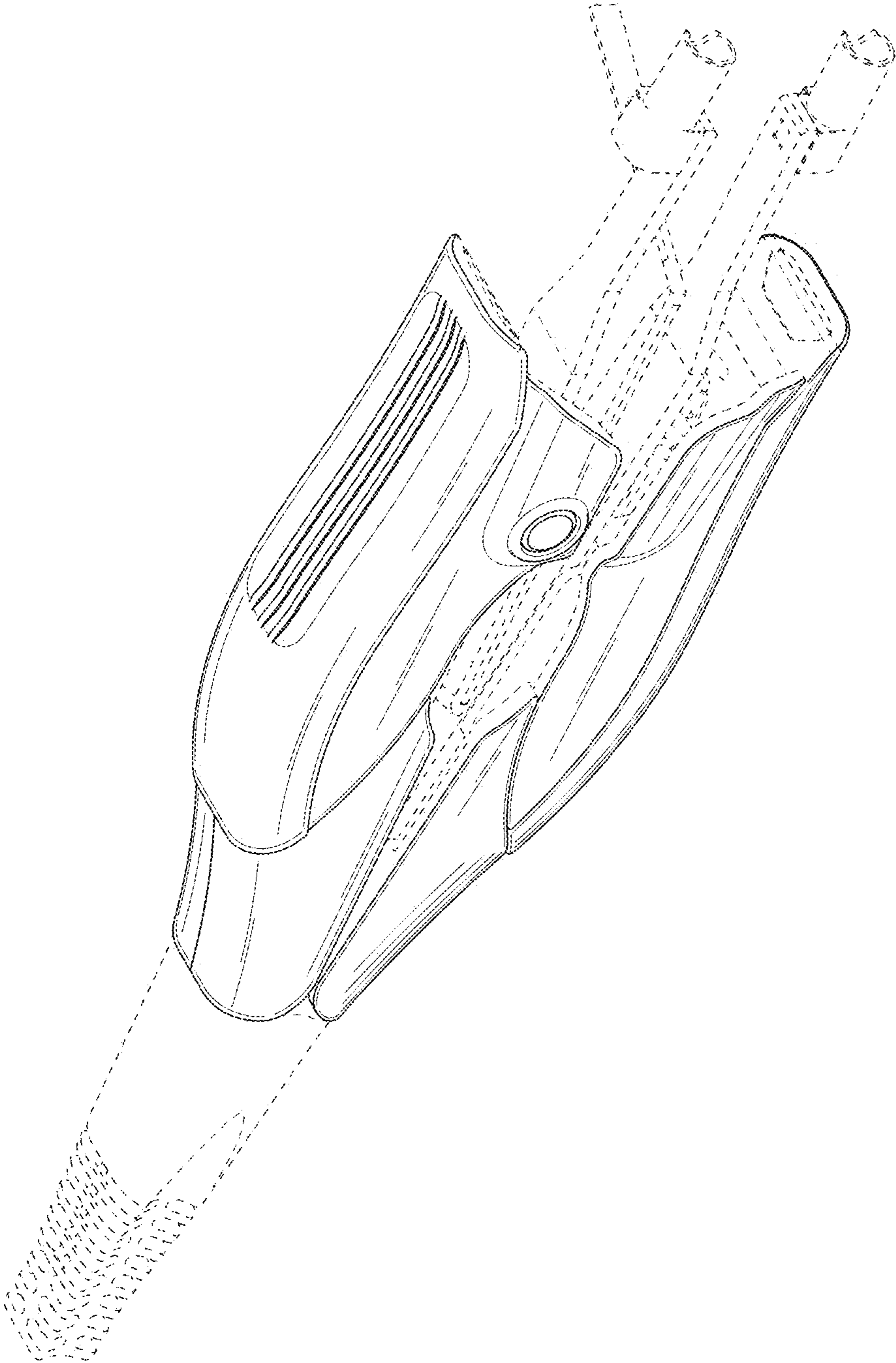


FIG. 2

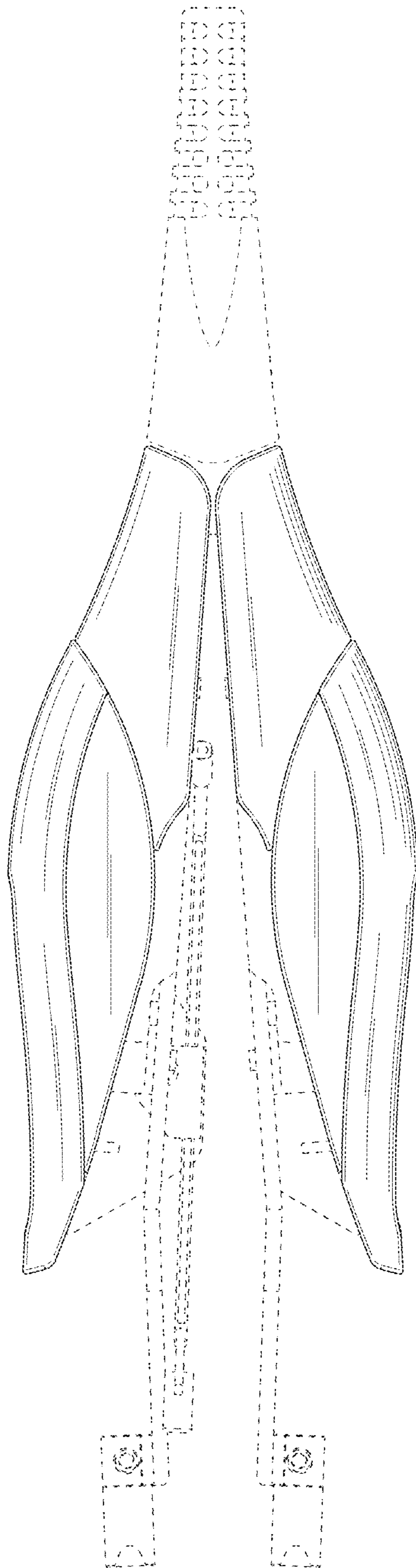


FIG. 3

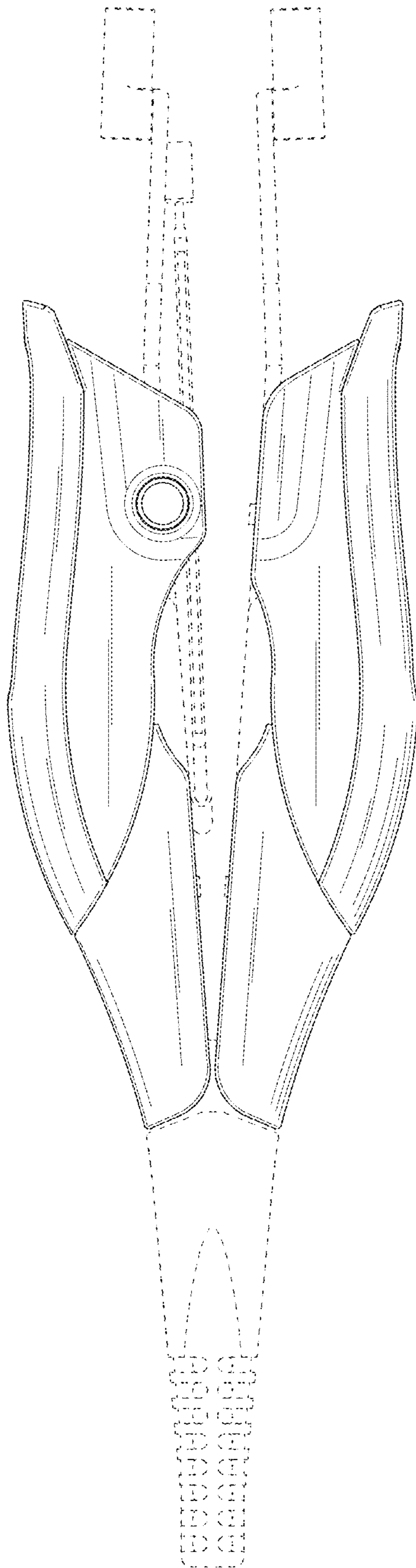


FIG.4

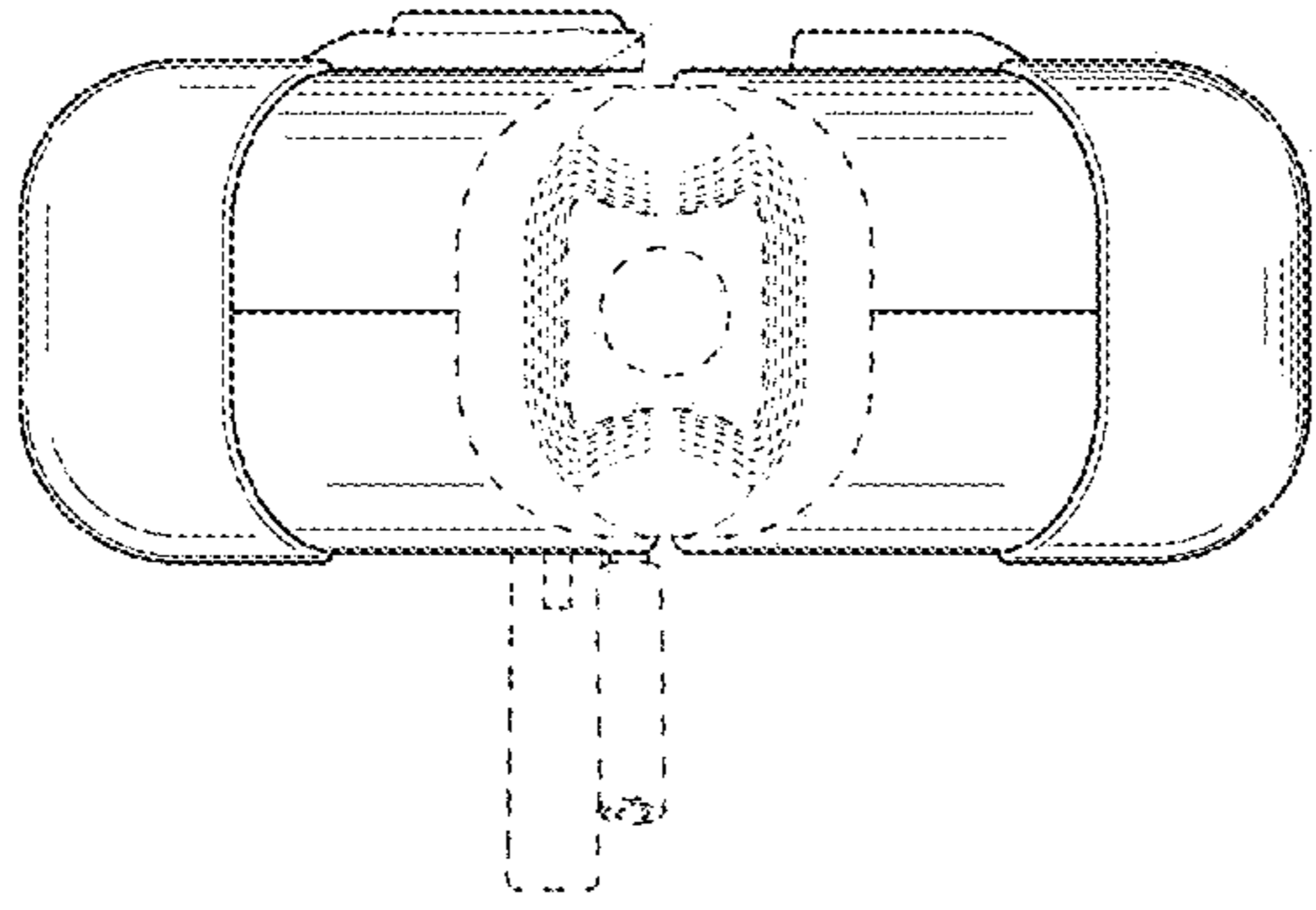


FIG. 6

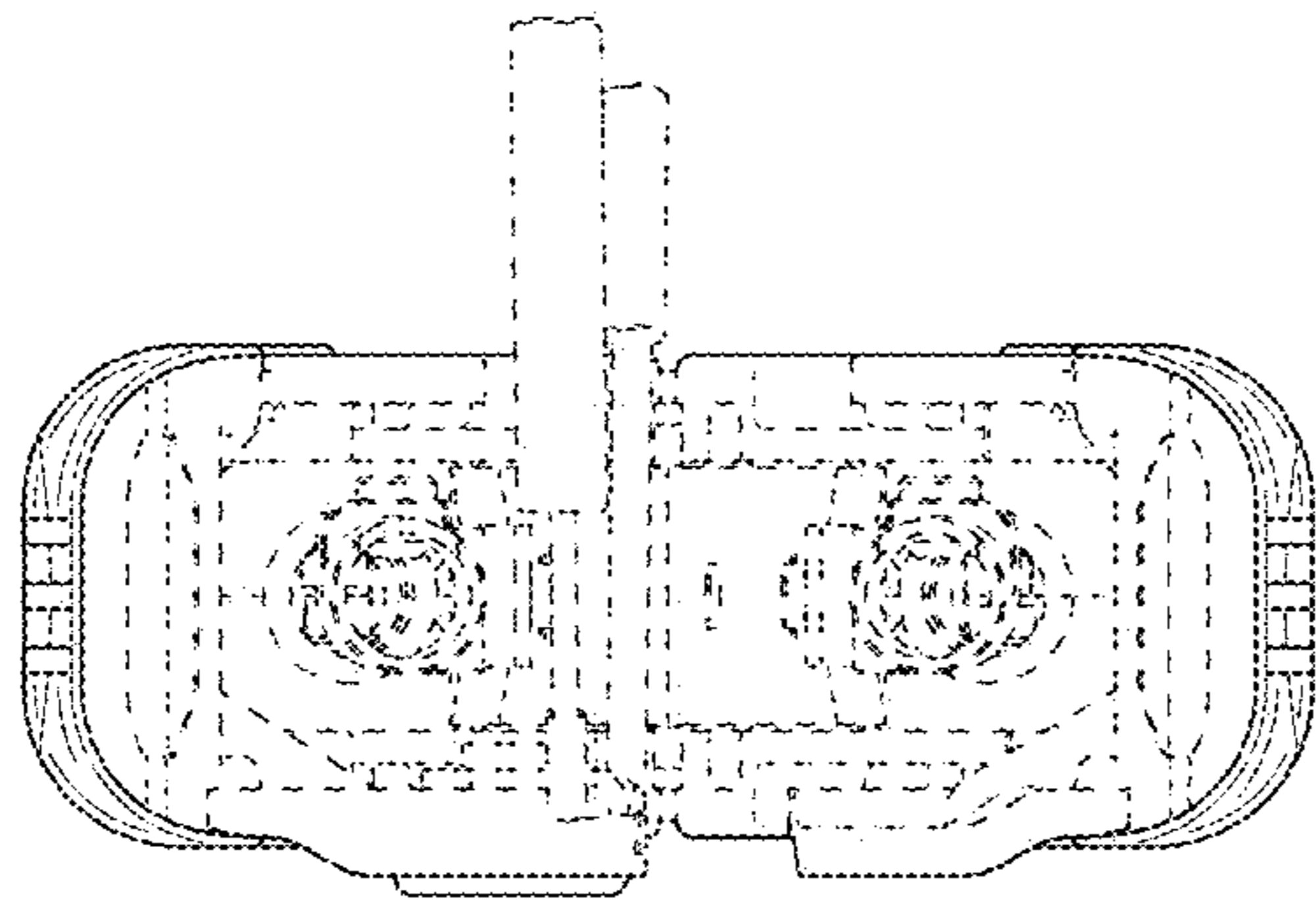


FIG. 5

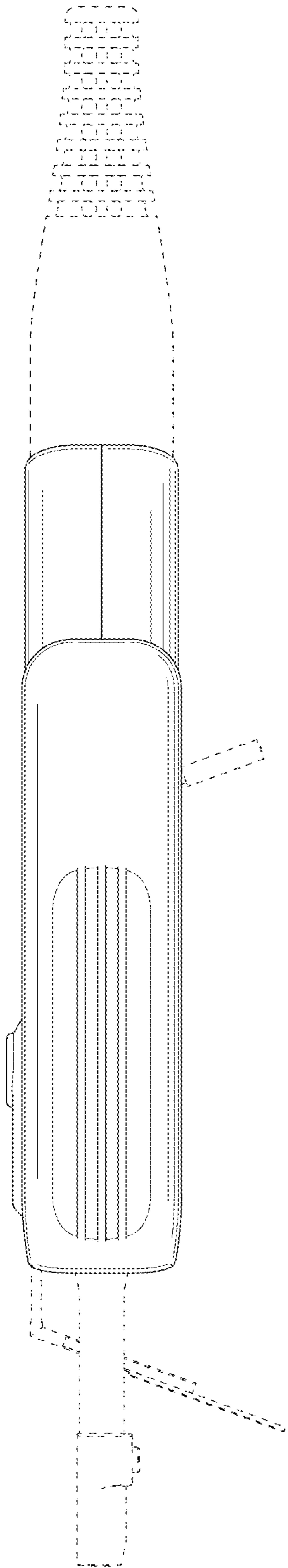


FIG. 7

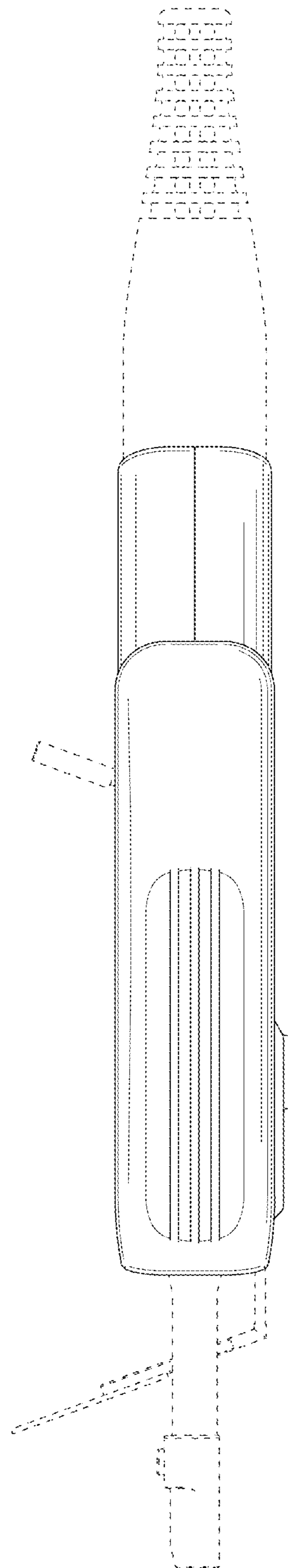


FIG. 8