



US00D904848S

(12) **United States Design Patent** (10) **Patent No.:** **US D904,848 S**
Ware (45) **Date of Patent:** **** Dec. 15, 2020**

(54) **NIPPER**
(71) Applicant: **Joseph Ware**, Rumford, RI (US)
(72) Inventor: **Joseph Ware**, Rumford, RI (US)
(**) Term: **15 Years**
(21) Appl. No.: **29/674,111**
(22) Filed: **Dec. 19, 2018**
(51) **LOC (12) Cl.** **08-03**
(52) **U.S. Cl.**
USPC **D8/98**
(58) **Field of Classification Search**
USPC D8/14, 51, 52, 98, 4; D15/139
CPC B26B 17/00; B26B 17/003; B26B 17/006;
B26B 17/02
See application file for complete search history.

(56) **References Cited**
U.S. PATENT DOCUMENTS
2,961,670 A * 11/1960 Frame A01K 97/00
7/106
3,825,961 A * 7/1974 Klein A01K 95/02
7/106
4,731,927 A 3/1988 Wilson
D349,636 S * 8/1994 White D8/52
D386,658 S * 11/1997 Jansson D8/52
5,960,504 A * 10/1999 Dougherty A01K 97/00
15/104.001
6,941,657 B2 9/2005 Choi et al.
7,144,128 B2 12/2006 Brauner
7,194,806 B2 3/2007 Kuzuu
D558,013 S * 12/2007 Sykes, II D8/52
D610,754 S * 2/2010 White D30/158
D625,979 S * 10/2010 Lai D8/52
8,176,636 B2 5/2012 Bush
D708,029 S * 7/2014 Kleiber, Jr. D8/394
8,984,754 B1 3/2015 Kaidi et al.
D740,634 S * 10/2015 Descombes D8/58
9,192,218 B1 11/2015 Kaidi et al.

D811,661 S * 2/2018 Hussain D28/55
D814,607 S * 4/2018 Kim D22/149
D818,560 S * 5/2018 Combs D22/149
2005/0115075 A1 * 6/2005 Brauner A01K 97/00
30/123
2005/0178008 A1 * 8/2005 Foster F23D 3/16
30/179
2009/0211098 A1 8/2009 Childs, II
2009/0308211 A1 * 12/2009 McBride B25B 7/04
81/342
2010/0236079 A1 * 9/2010 Bush B26B 17/02
30/180

OTHER PUBLICATIONS

Image from simmsfishing.com/guide-nipper, published prior to Jan. 2018.
Images from abelreels.com/nipper, published prior to Jan. 2018.

* cited by examiner

Primary Examiner — Philip S Hyder
(74) *Attorney, Agent, or Firm* — Douglas Denninger

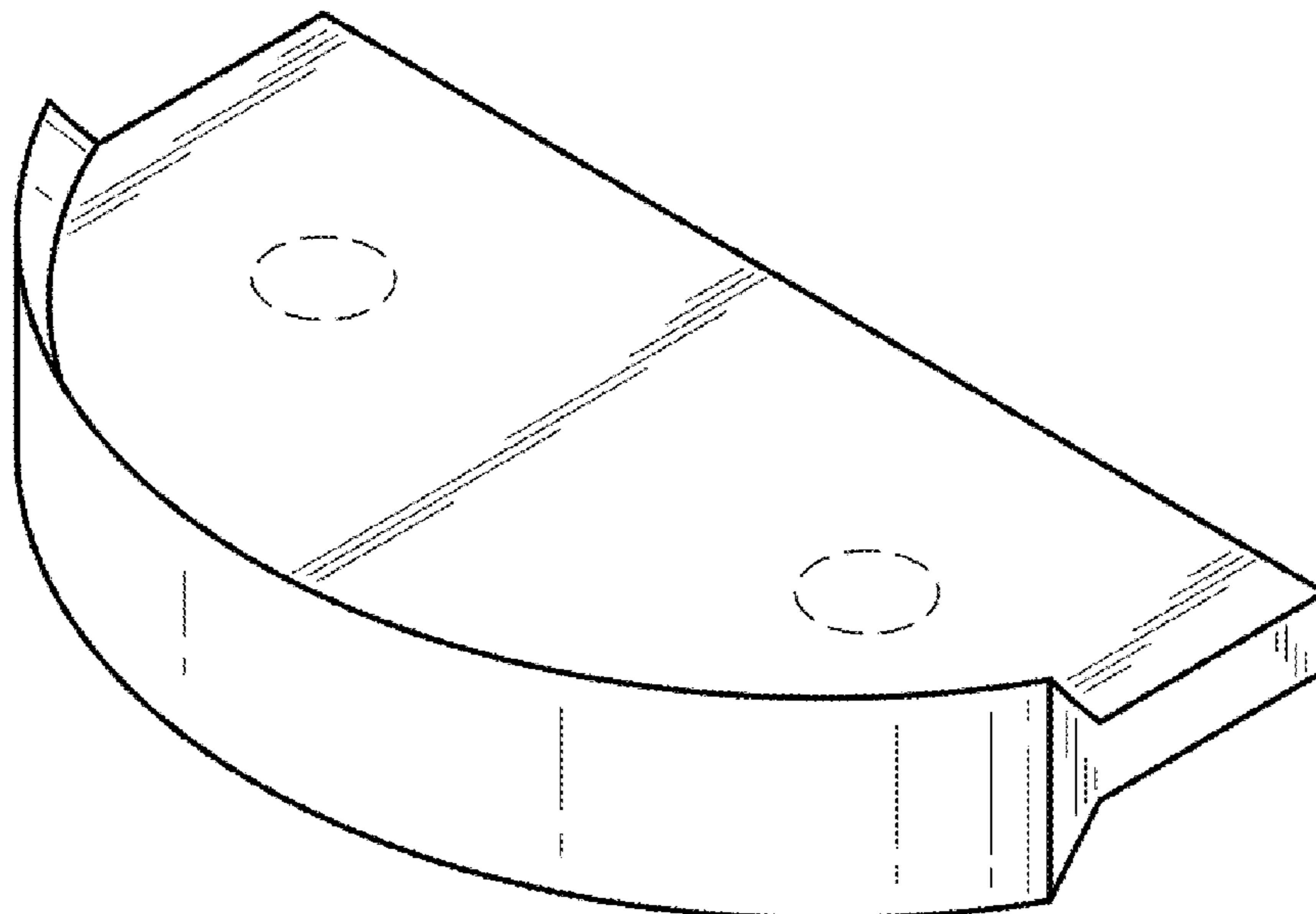
(57) **CLAIM**

I claim the ornamental design for a nipper, as shown and described.

DESCRIPTION

FIG. 1 is a perspective view of a nipper showing my new design;
FIG. 2 is a front elevation view thereof;
FIG. 3 is a rear elevation view thereof;
FIG. 4 is a left-side elevation view thereof, wherein the right-side view is a mirror image; and,
FIG. 5 is a top plan view thereof, wherein the bottom plan view is a mirror image.
The broken lines shown represent unclaimed subject matter and form no part of the claimed design.

1 Claim, 1 Drawing Sheet



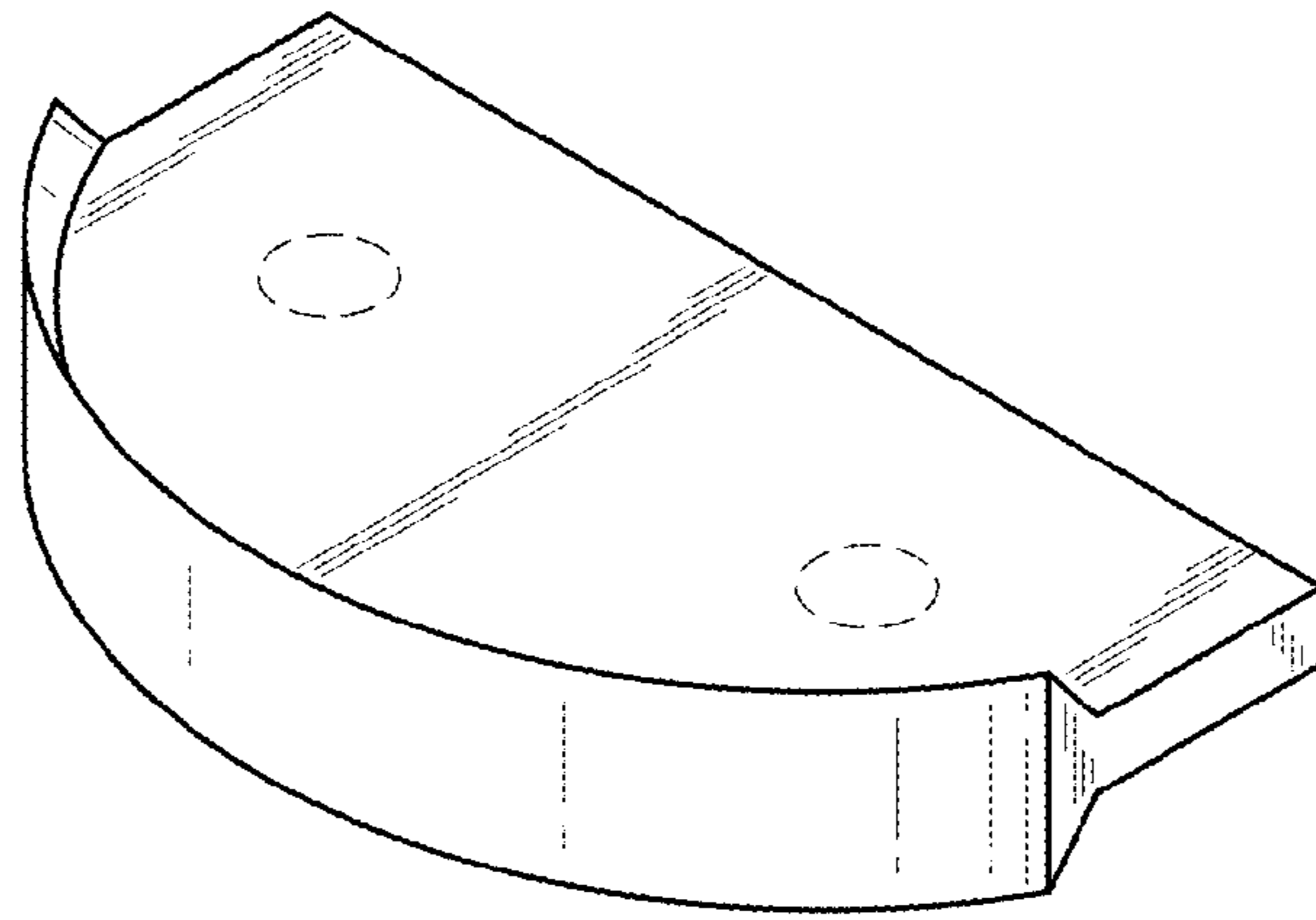


FIG. 1



FIG. 2

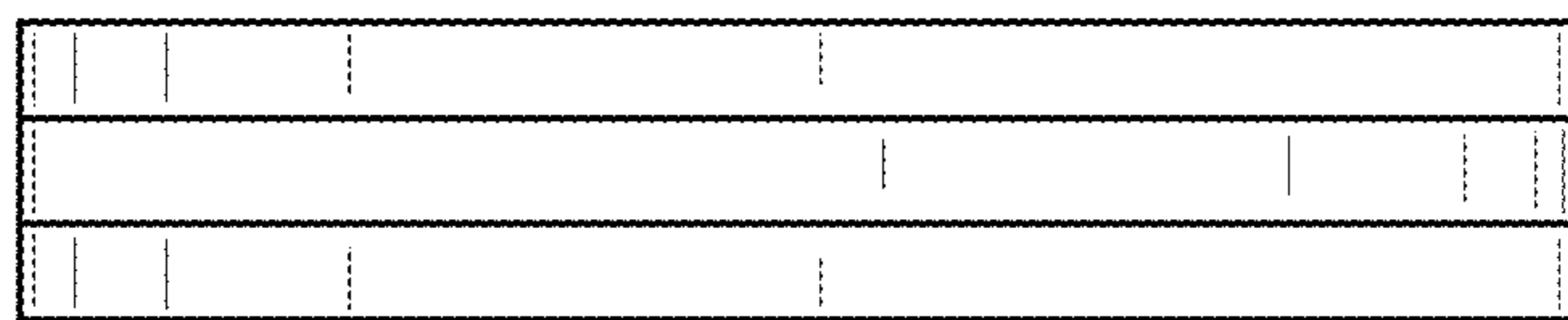


FIG. 3

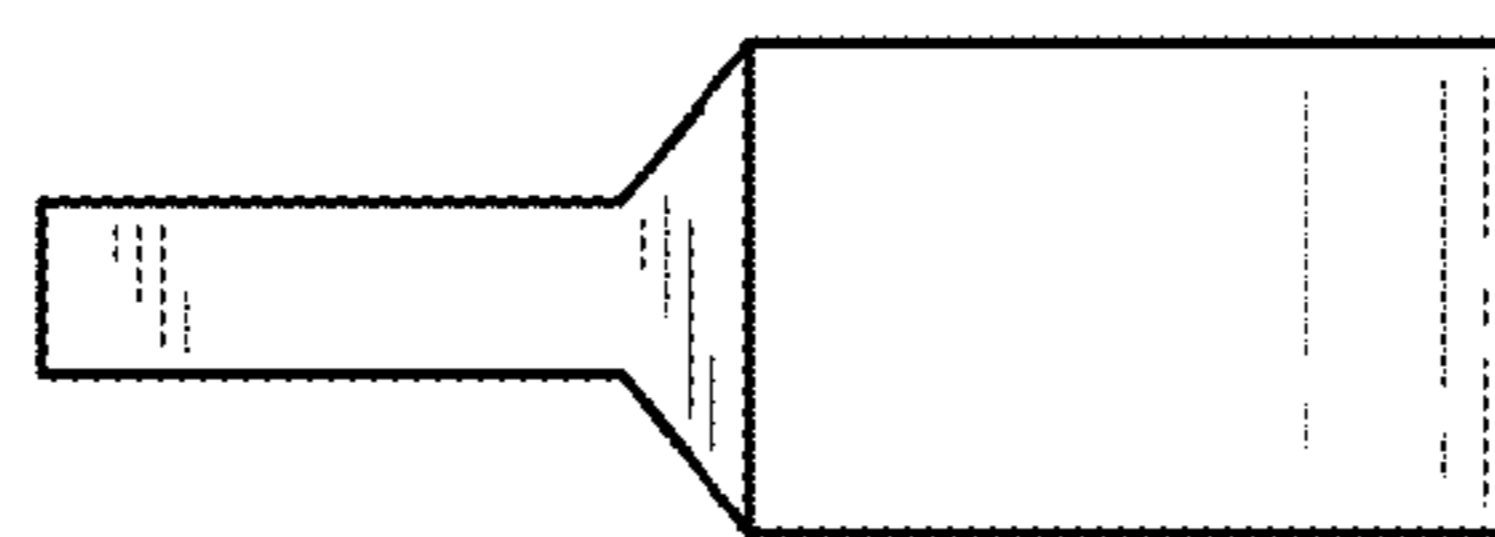


FIG. 4

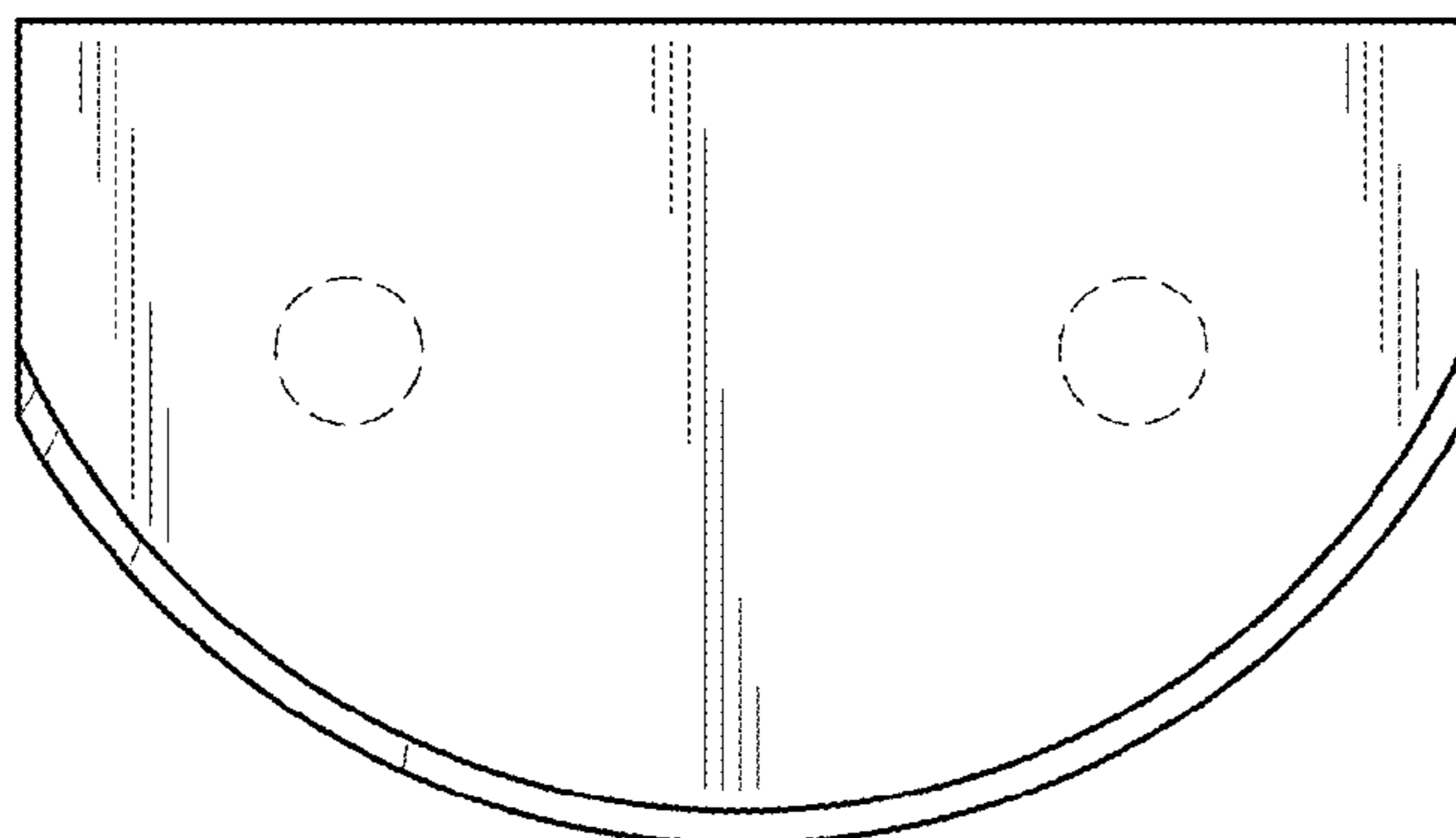


FIG. 5