



US00D904847S

(12) **United States Design Patent** (10) **Patent No.:** **US D904,847 S**
Hogg (45) **Date of Patent:** **** Dec. 15, 2020**

(54) **WEARABLE CUTTING APPARATUS**

- (71) Applicant: **Jeff Hogg**, Calgary (CA)
- (72) Inventor: **Jeff Hogg**, Calgary (CA)
- (**) Term: **15 Years**
- (21) Appl. No.: **29/670,342**
- (22) Filed: **Nov. 15, 2018**
- (51) **LOC (12) Cl.** **08-03**
- (52) **U.S. Cl.**
USPC **D8/98**
- (58) **Field of Classification Search**
USPC D8/98, 99, 100, 101, 105, 107; D22/118
CPC B26B 27/00; B26B 27/007; B26B 1/08;
B26B 3/00; B26B 5/006
See application file for complete search history.

(56) **References Cited**

U.S. PATENT DOCUMENTS

2,989,807	A	6/1961	Florence	
4,422,131	A	12/1983	Clanton et al.	
D575,182	S *	8/2008	Rubin	D10/104.1
D699,542	S *	2/2014	Rubin	D8/105
D713,233	S *	9/2014	Rubin	D8/105
D720,197	S *	12/2014	Oldham	D8/98
D839,709	S *	2/2019	Halvorson	D8/99
2010/0251552	A1 *	10/2010	Gazcon	B26B 1/08 30/162
2012/0180324	A1 *	7/2012	Caldwell	B26B 27/007 30/298
2012/0304471	A1 *	12/2012	Jones	B26B 5/001 30/162
2017/0334084	A1 *	11/2017	Hogg	B26B 1/08

FOREIGN PATENT DOCUMENTS

GB	1113367	A	5/1968
KR	101003938	B1	12/2010

OTHER PUBLICATIONS

D&D Wiki, Finger Blade (3.5e Equipment)—Oct. 13, 2013 (Oct. 13, 2013), [online] retrieved on Aug. 10, 2017 (Oct. 8, 2017). Retrieved from the Internet: <[http://www.dandwiki.com/wiki/Finger_Blade_\(3.5e_Equipment\)](http://www.dandwiki.com/wiki/Finger_Blade_(3.5e_Equipment))>.

(Continued)

Primary Examiner — Philip S Hyder

(74) *Attorney, Agent, or Firm* — Daniel R. Polonenko

(57) **CLAIM**

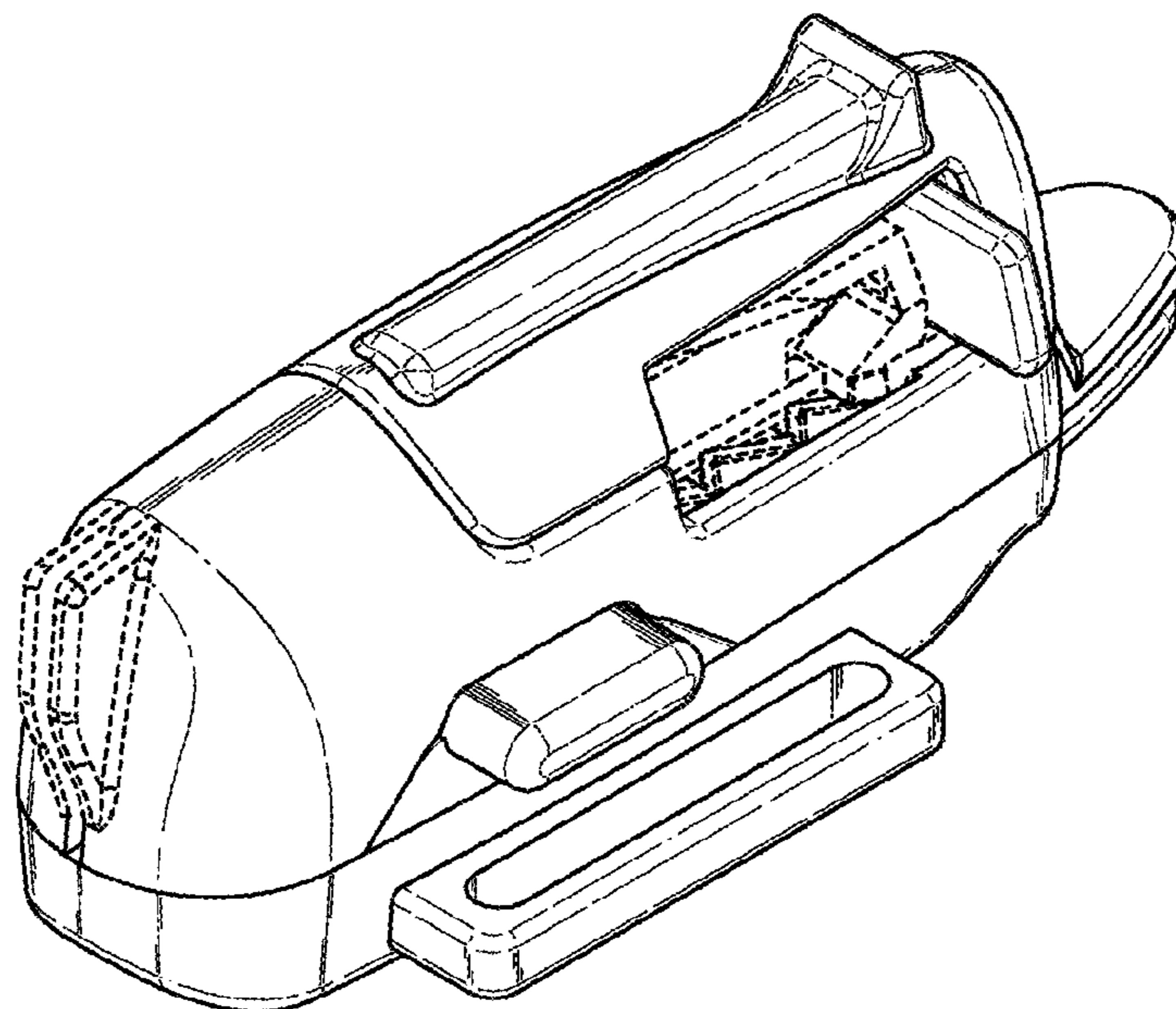
I claim the ornamental design for a wearable cutting apparatus, as shown and described.

DESCRIPTION

FIG. 1 is a top, front and right side perspective view of a wearable cutting apparatus embodying the new design; FIG. 2 is a top and left side perspective view thereof; FIG. 3 is a bottom rear, and right side perspective view thereof; FIG. 4 is a bottom rear and left side perspective view thereof; FIG. 5 is a plan view thereof in the first configuration; FIG. 6 is a bottom view thereof in the first configuration; FIG. 7 is a front view thereof in the first configuration; FIG. 8 is a rear view thereof in the first configuration; FIG. 9 is a right-side view thereof in the first configuration; FIG. 10 is a left-side view thereof in the first configuration; FIG. 11 is a left-side view thereof in a second configuration, wherein the blade thereof is extended outside the housing thereof; and, FIG. 12 is a front perspective view thereof shown in an environment of use.

The broken lines illustrating the environment of the wearable cutting apparatus form no part of the claimed design.

1 Claim, 6 Drawing Sheets



(56)

References Cited

OTHER PUBLICATIONS

ISA/CA—Canadian Intellectual Property Office—International Search Report and Written Opinion dated Sep. 7, 2017—PCT/CA2017/050616 Filed May 19, 2017.

Lollipop Gallery, “Iron Reaver Claw MC-1026” Aug. 16, 2013 (Aug. 16, 2013), [online] [retrieved on Aug. 10, 2017 (Oct. 8, 2017)]. Retrieved from the Internet: <<https://www.youtube.com/watch?v=jaYNBmD-VRM>>.

* cited by examiner

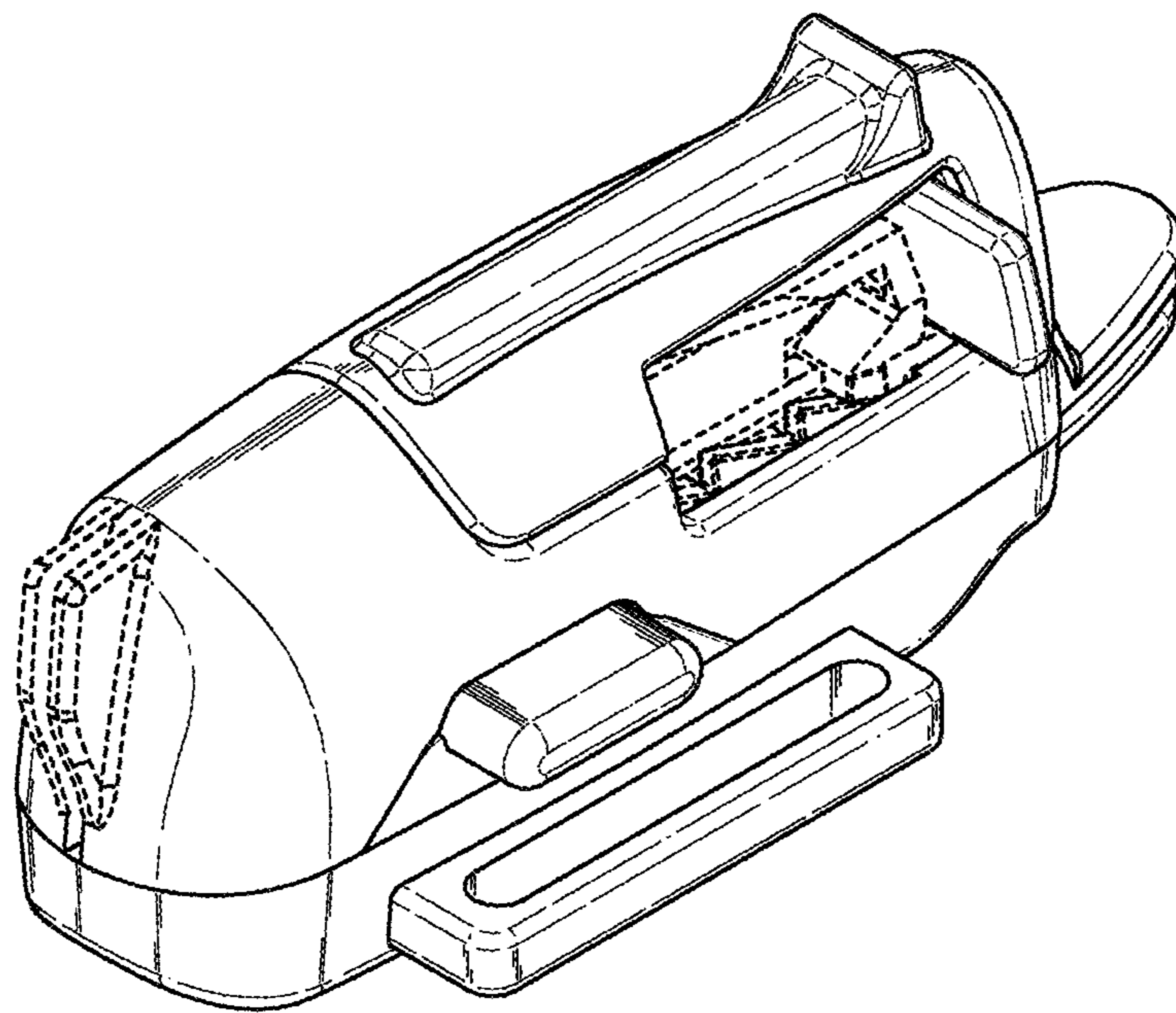


FIG. 1

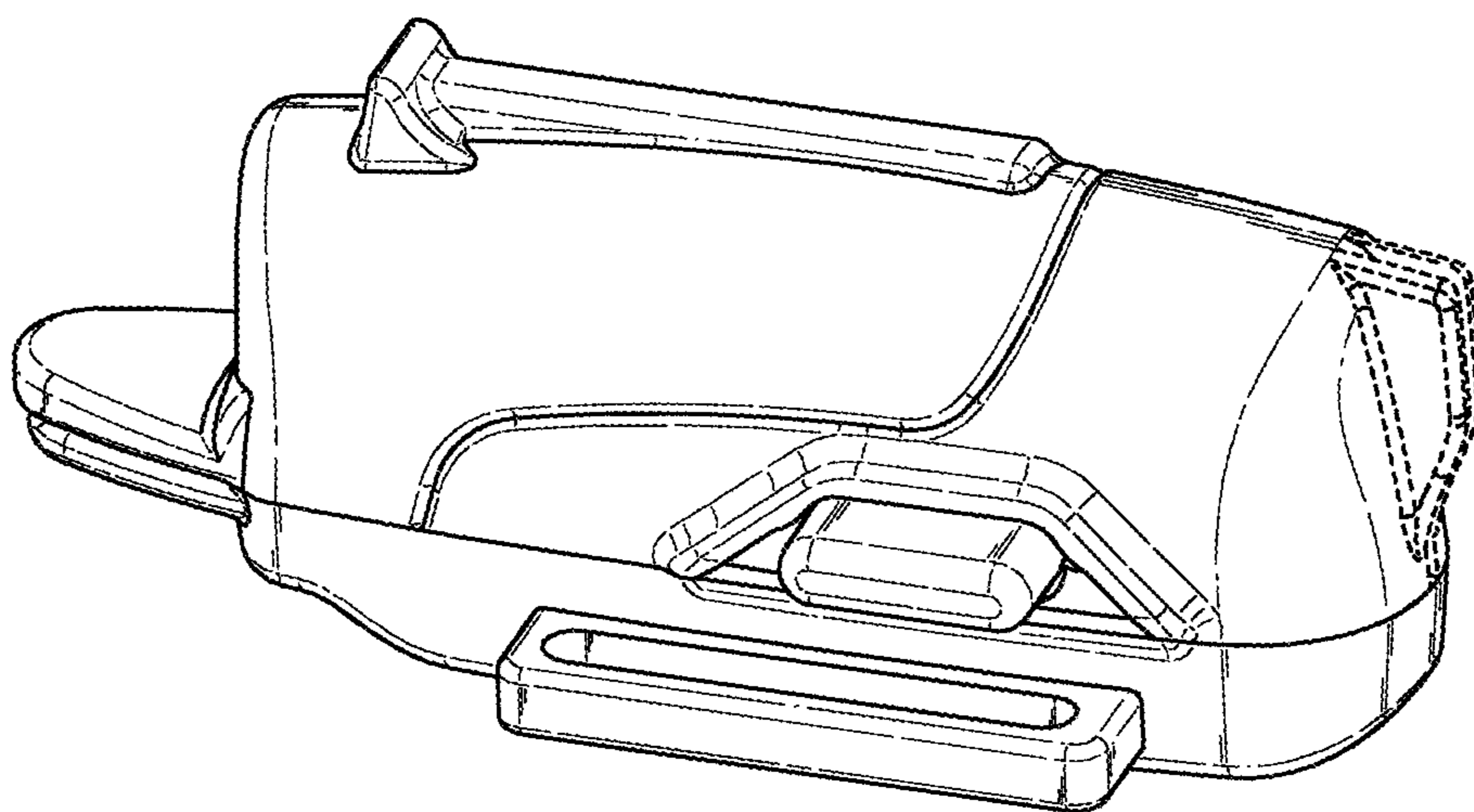


FIG. 2

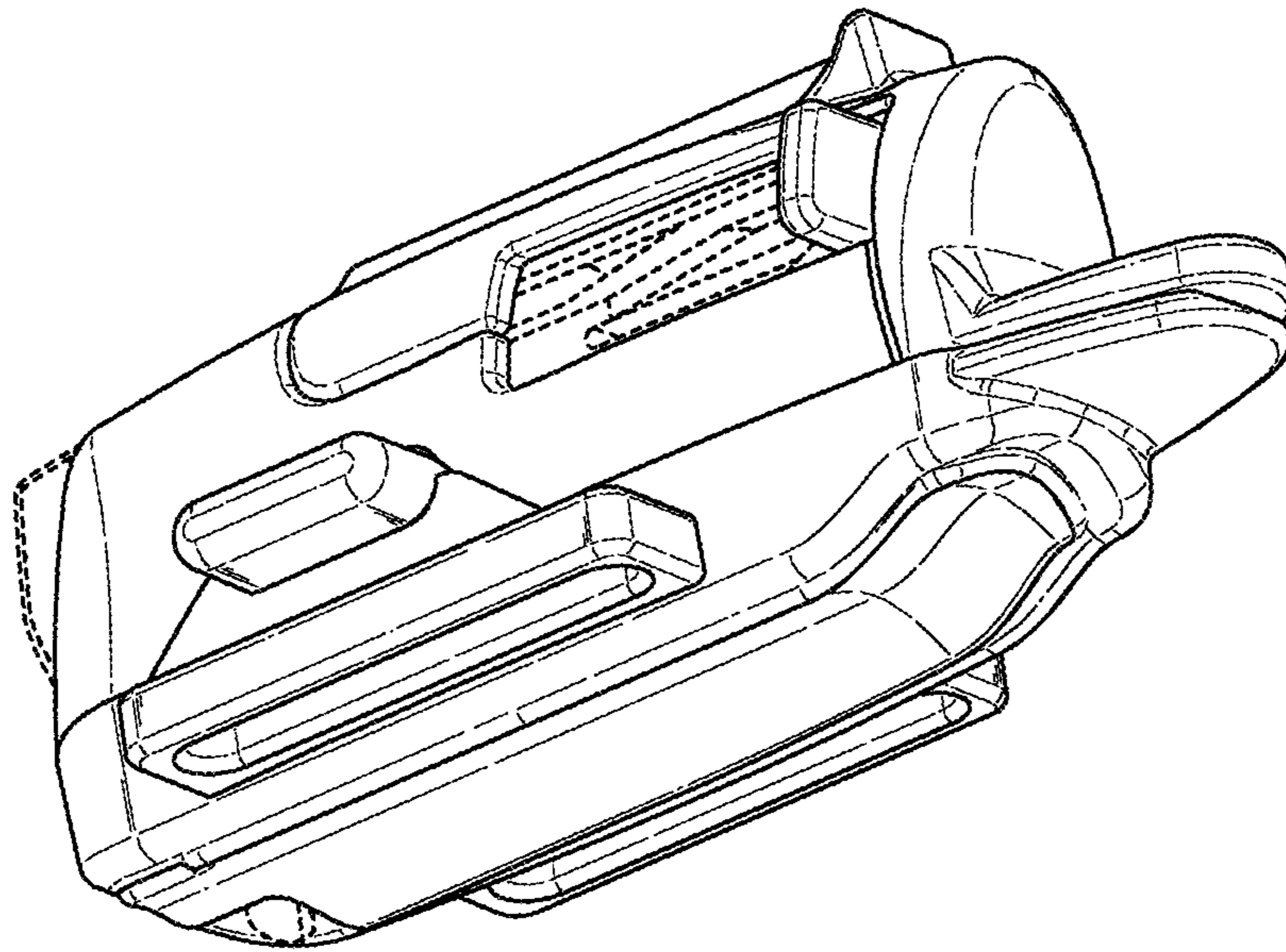


FIG. 3

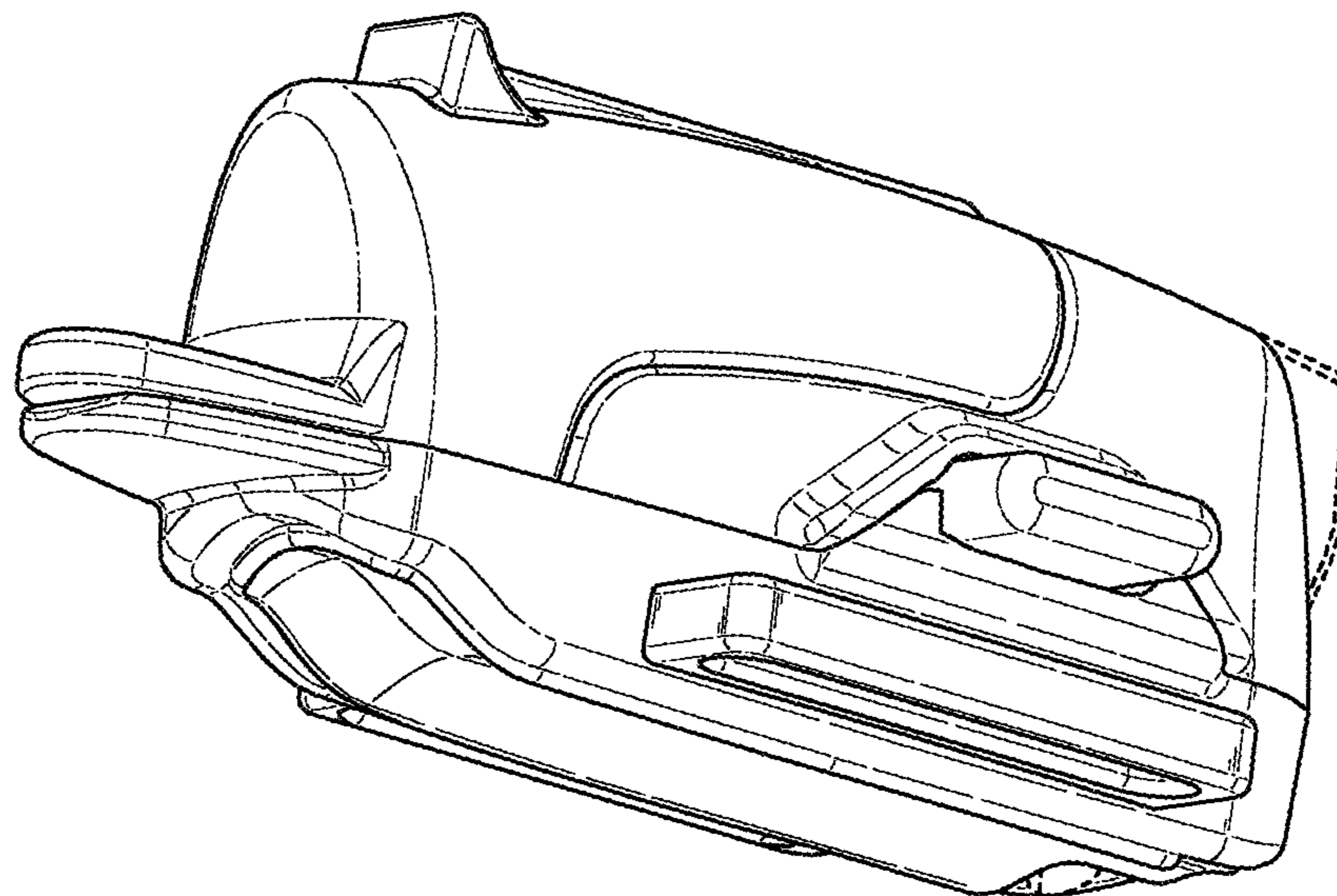


FIG. 4

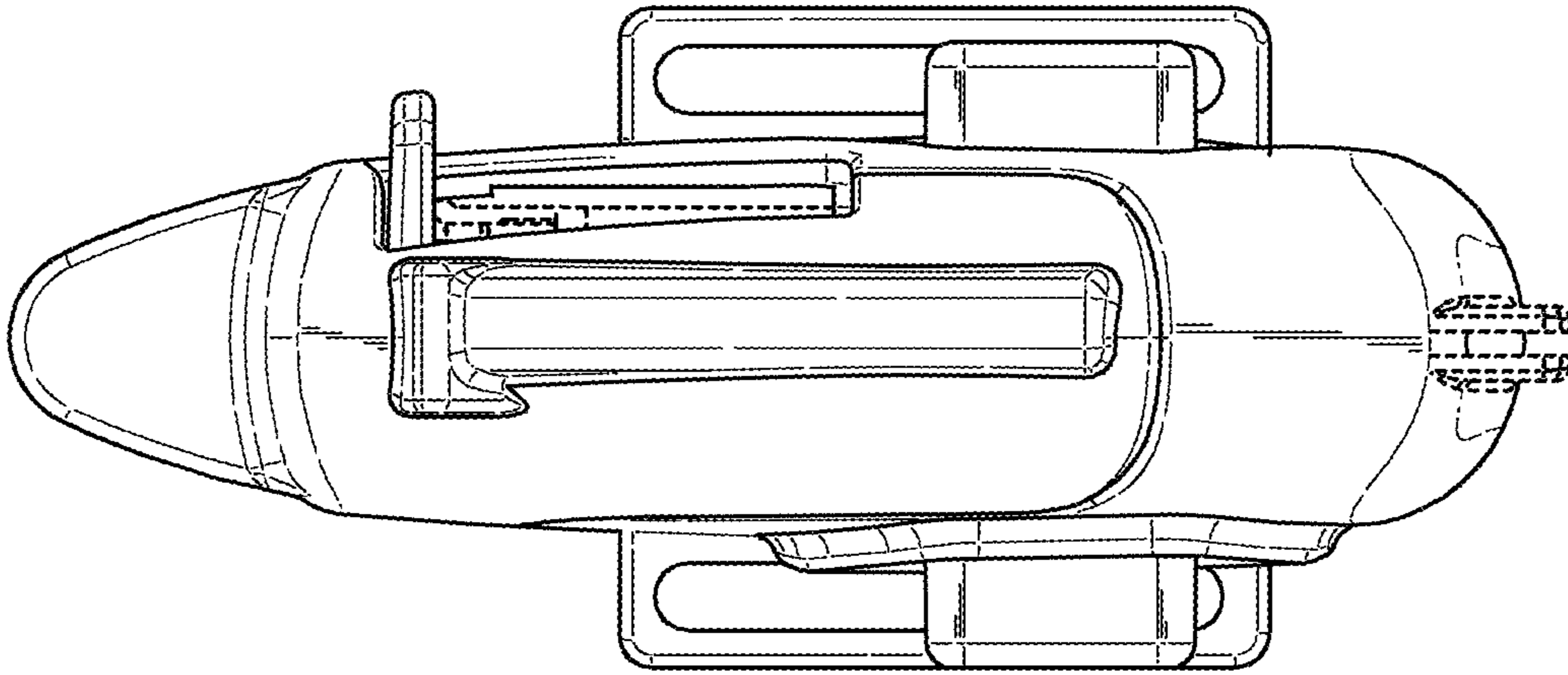


FIG. 5

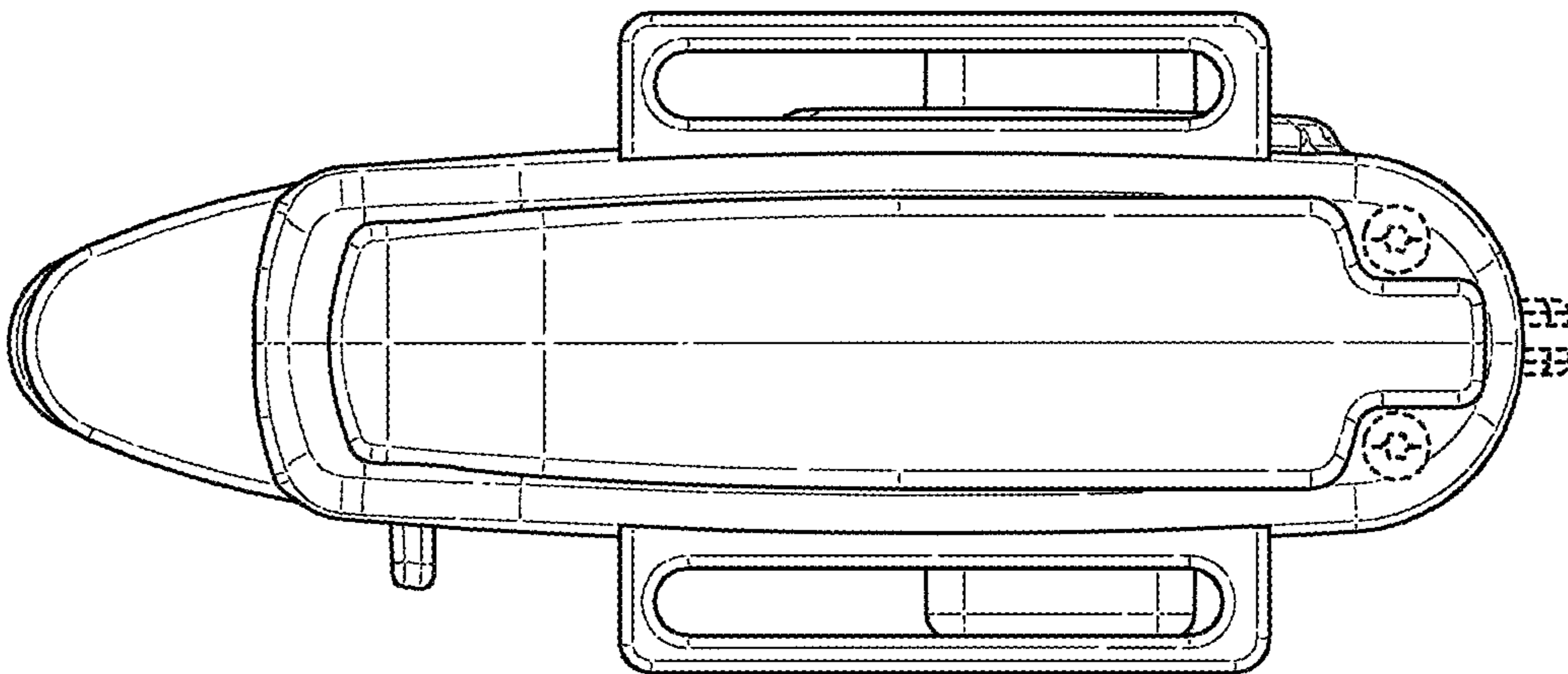


FIG. 6

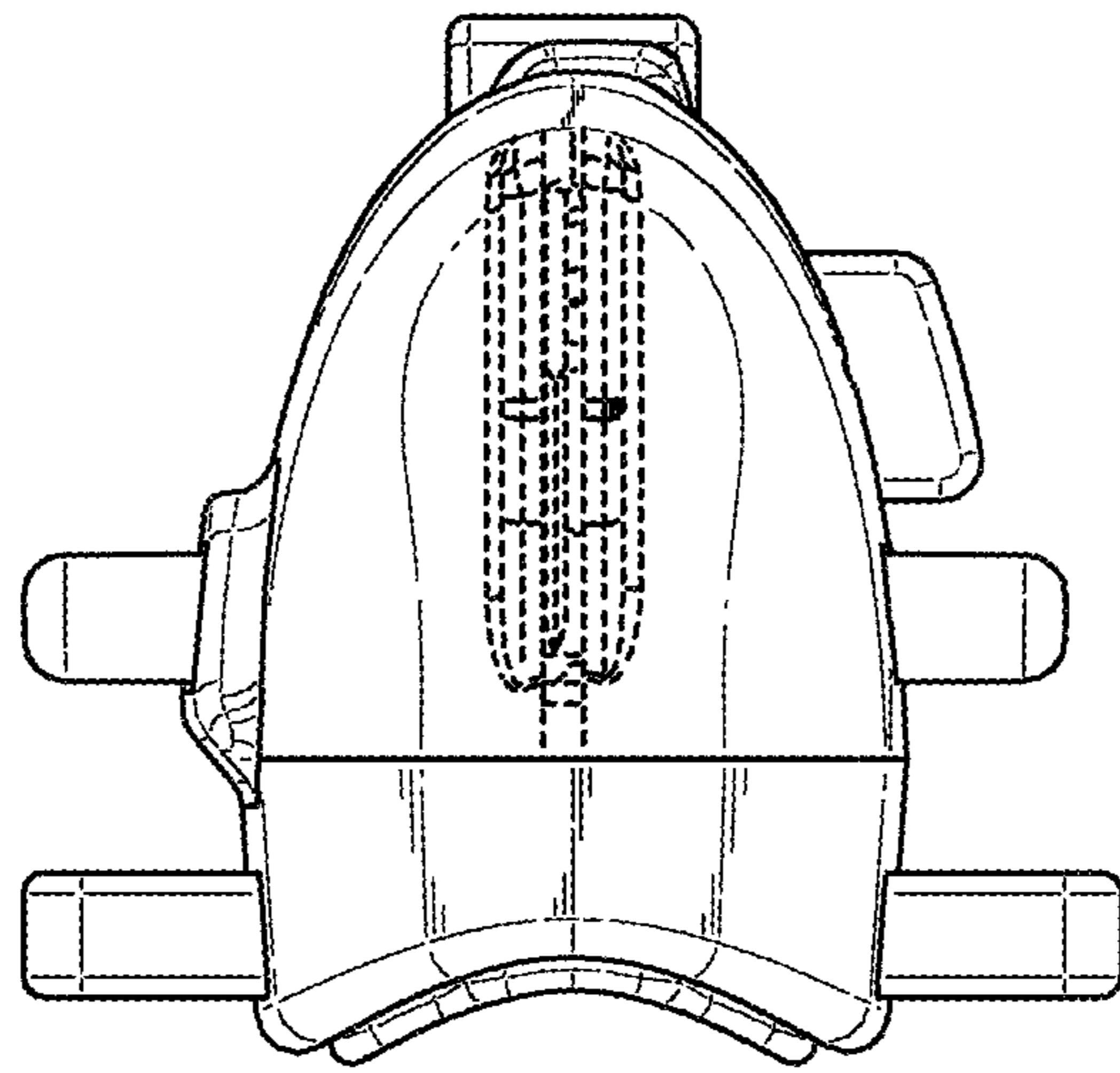


FIG. 7

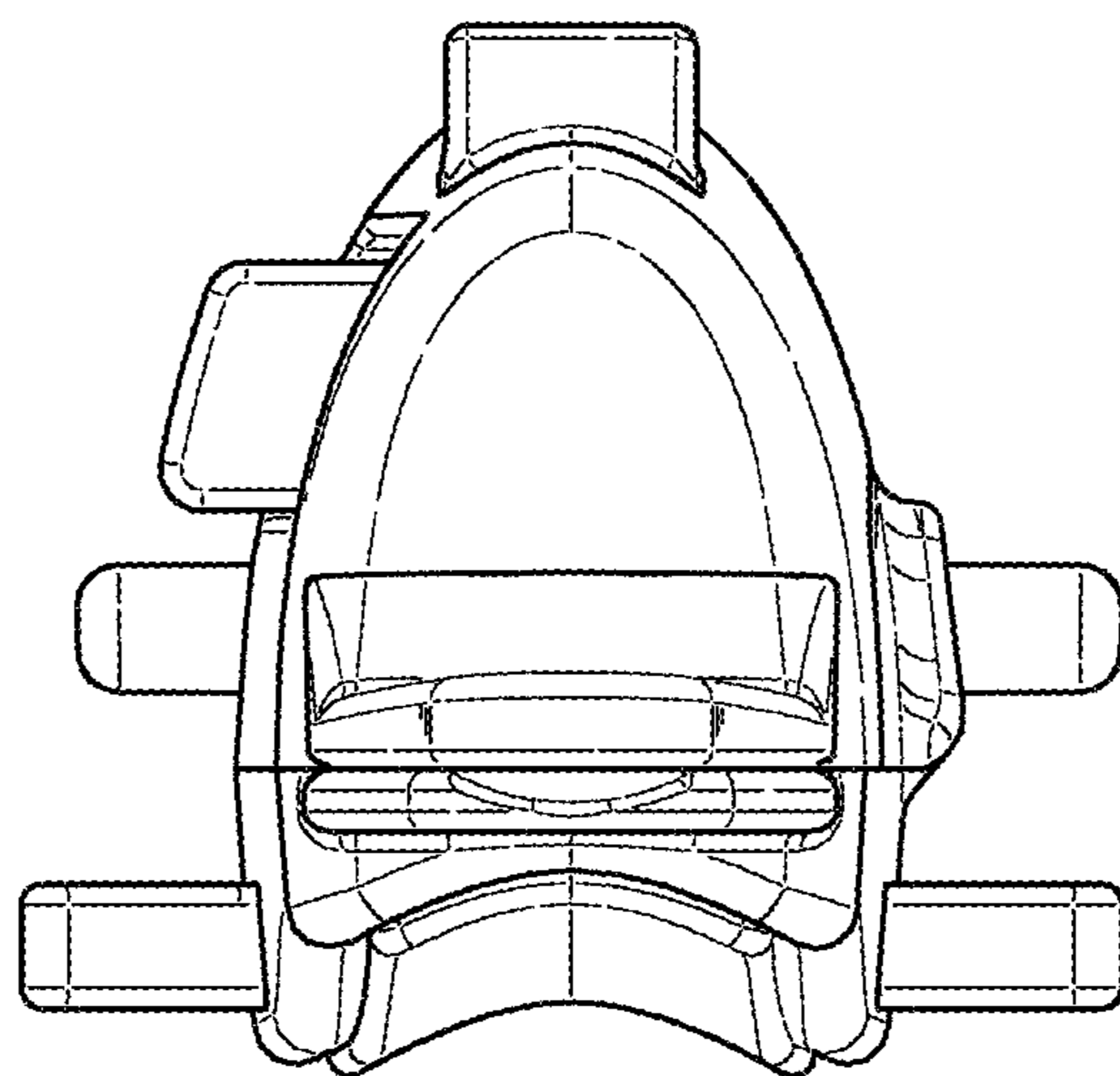


FIG. 8

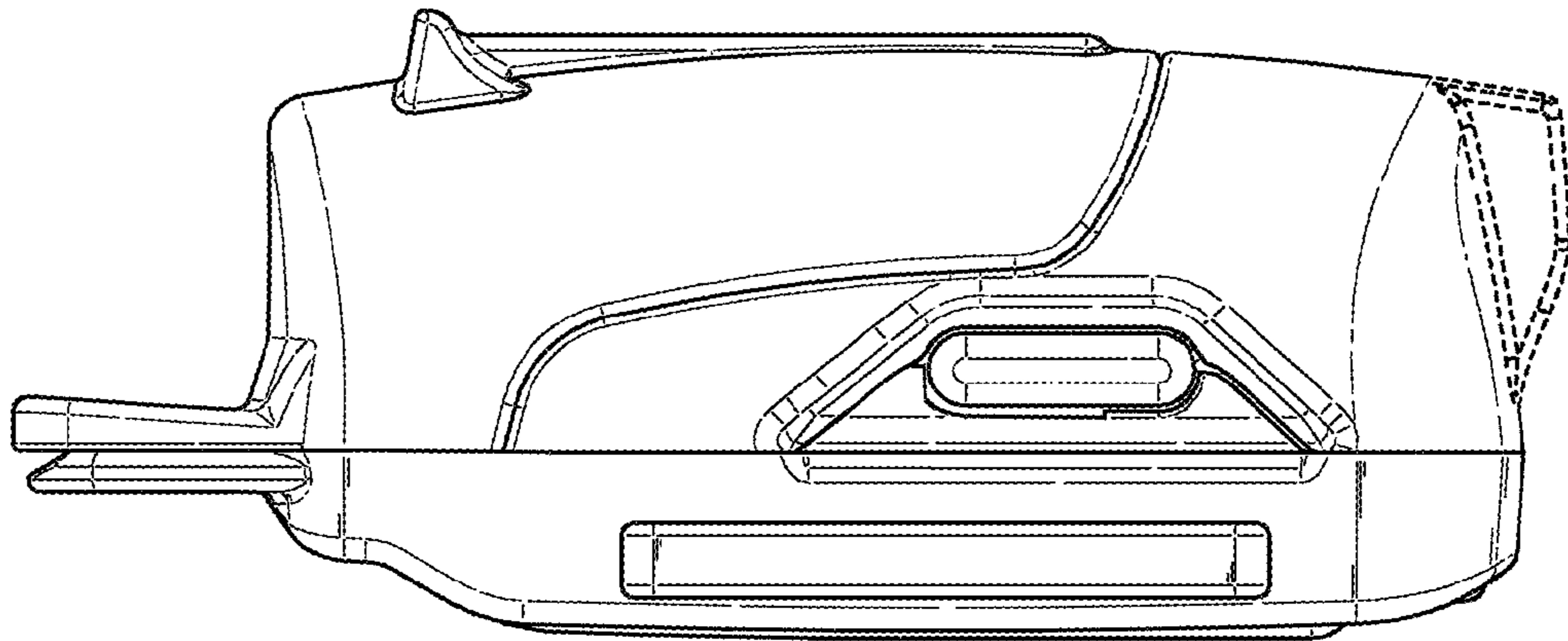


FIG. 9

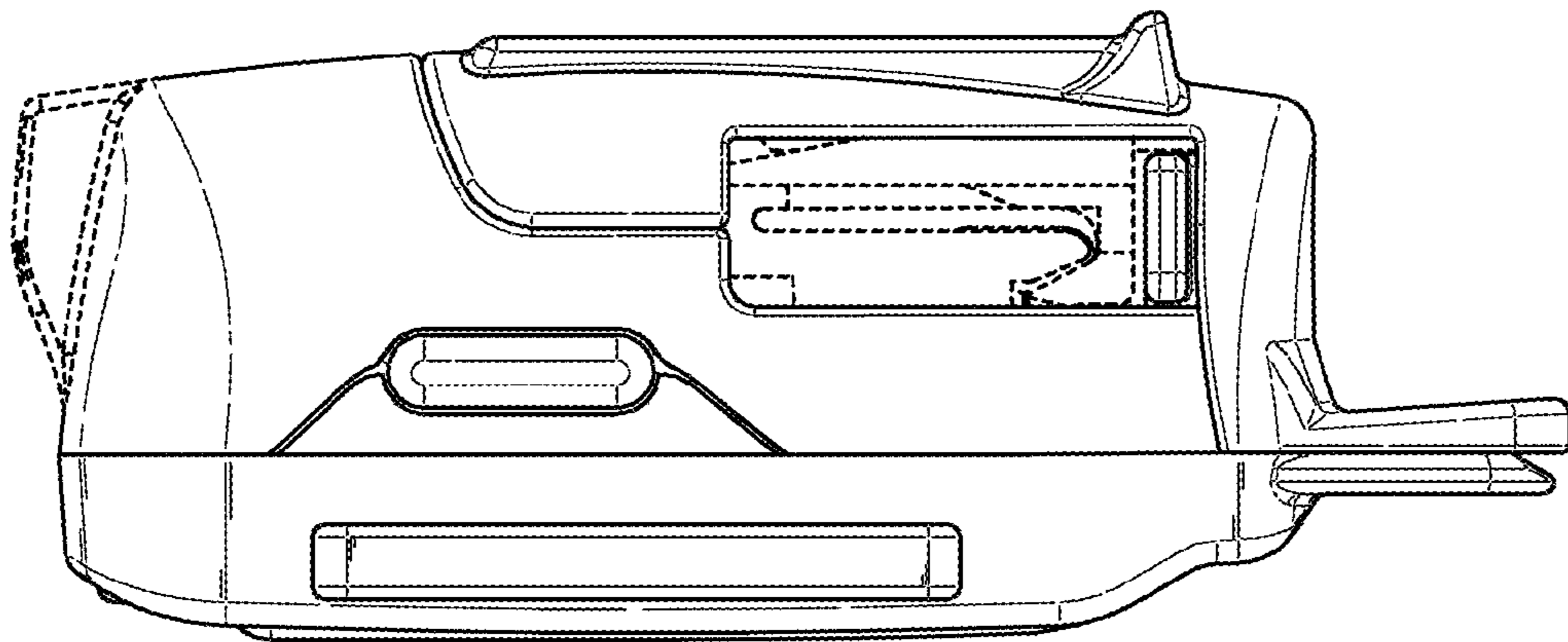


FIG. 10

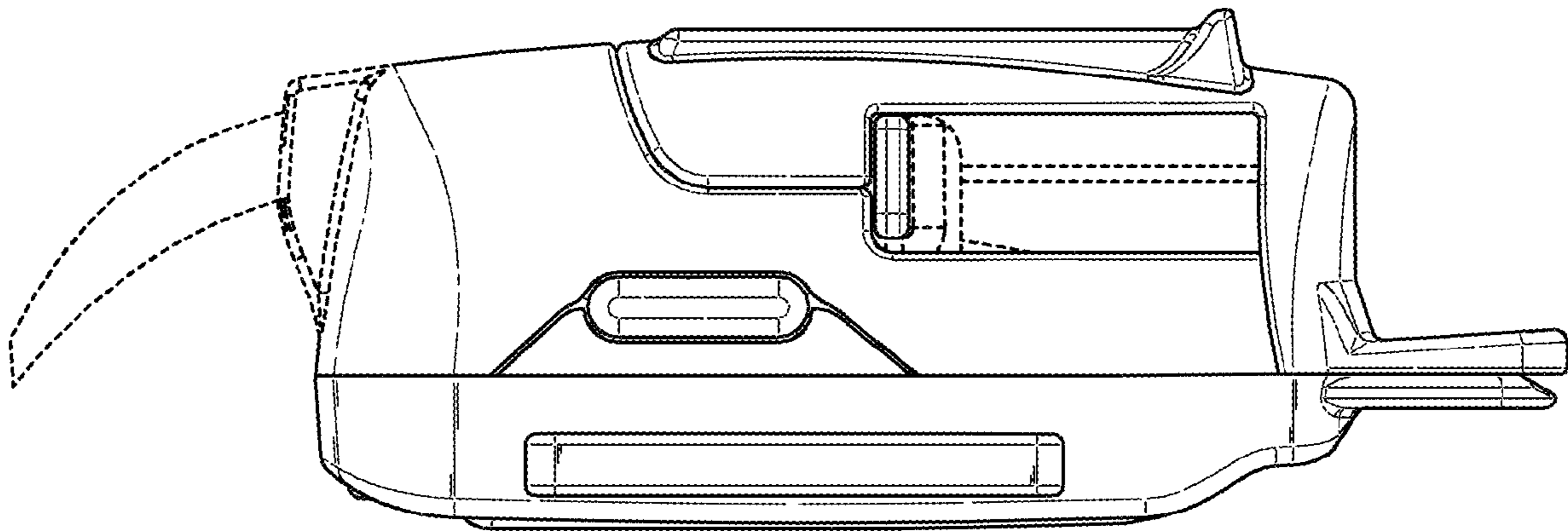


FIG. 11

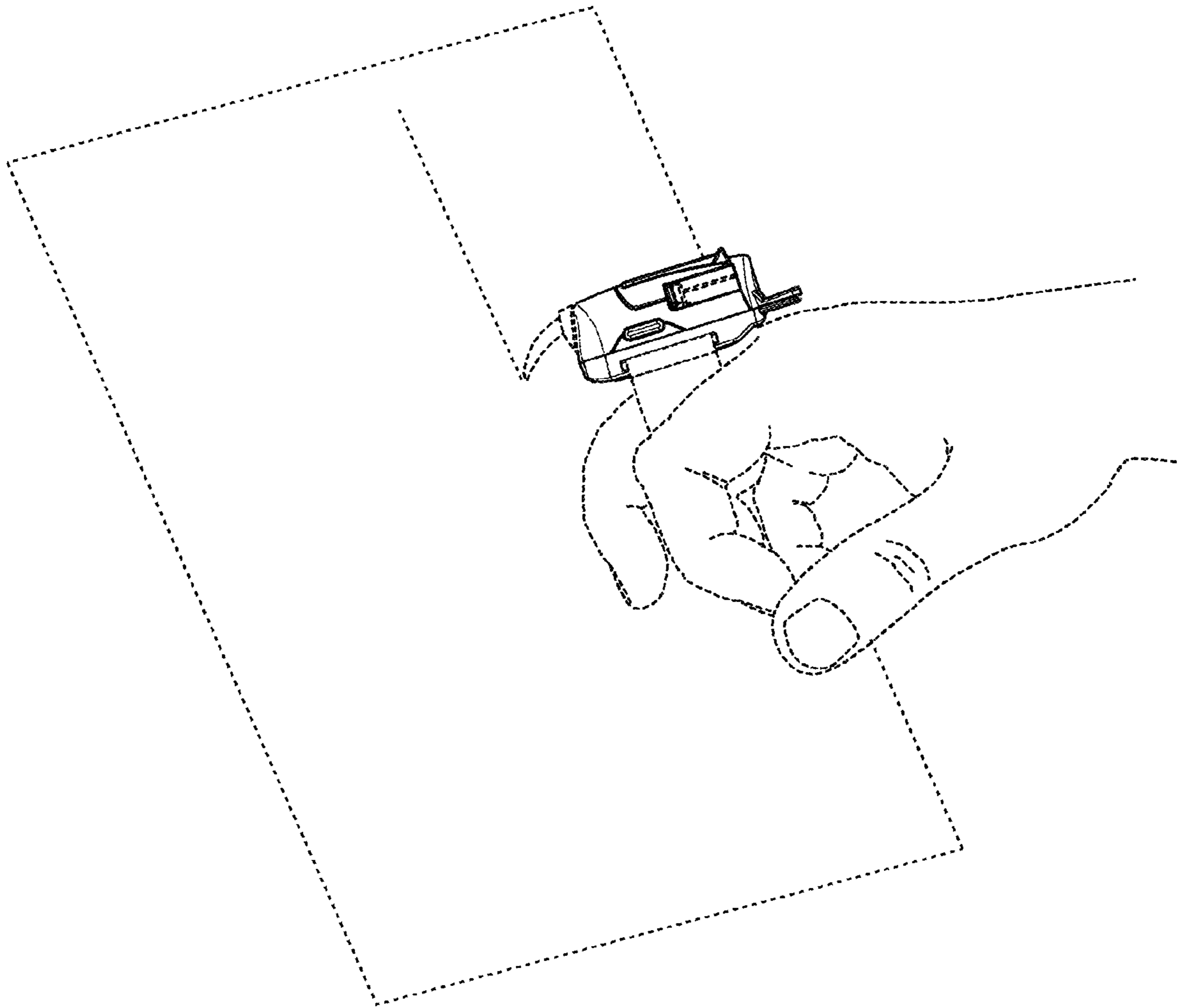


FIG. 12