



US00D904846S

(12) **United States Design Patent**
Fleming et al.

(10) **Patent No.:** **US D904,846 S**
(45) **Date of Patent:** **** Dec. 15, 2020**

(54) **INSULATED EXTERNAL PARKING BUSHING**

(71) Applicants: **Shad Patrick Fleming**, San Diego, CA (US); **Anthony Christopher Simmons**, El Cajon, CA (US)

(72) Inventors: **Shad Patrick Fleming**, San Diego, CA (US); **Anthony Christopher Simmons**, El Cajon, CA (US)

(**) Term: **15 Years**

(21) Appl. No.: **29/705,899**

(22) Filed: **Sep. 16, 2019**

Related U.S. Application Data

(63) Continuation of application No. 15/965,824, filed on Apr. 27, 2018, now abandoned.

(51) **LOC (12) Cl.** **08-05**

(52) **U.S. Cl.**
USPC **D8/71; D8/354**

(58) **Field of Classification Search**
USPC D8/71, 396, 364, 354, 349; D23/259, D23/262
CPC F16L 3/01; F16L 3/12; F16L 3/123; F16L 3/133; F16L 3/1025; F16B 2/065; F16B 7/04; F16B 7/0446; F16B 7/0486; F16M 13/022; H01R 4/26; H01R 4/28; H01R 13/53; H01R 43/26; H01R 4/2429; H01R 13/73; H01R 13/741; H01R 13/743; H01R 13/745; H01R 13/746; H01R 13/748

See application file for complete search history.

(56) **References Cited**

U.S. PATENT DOCUMENTS

D283,100 S * 3/1986 Porter D8/396
D293,204 S * 12/1987 Trubiano 248/303
D302,518 S * 8/1989 Ellison D8/354

D307,650 S * 5/1990 Murdock D29/129
D330,630 S * 11/1992 Loden D3/10
5,221,220 A * 6/1993 Roscizewski H01R 13/53
439/843
D352,390 S * 11/1994 Shrum D3/10
D354,491 S * 1/1995 Ditch D14/229
D364,555 S * 11/1995 Neiert D8/396
D384,710 S * 10/1997 Pahel D21/694
D389,334 S * 1/1998 Attridge D3/10
D396,185 S * 7/1998 Fraser D3/10
D448,717 S * 10/2001 Hanson D12/162
D479,117 S * 9/2003 Mercier D8/354
D490,768 S * 6/2004 Baynes D12/407

(Continued)

Primary Examiner — Sandra Snapp

Assistant Examiner — Ieisha N Price

(74) *Attorney, Agent, or Firm* — White-Welker & Welker, LLC

(57) **CLAIM**

The ornamental design for an insulated external parking bushing, as shown and described.

DESCRIPTION

FIG. 1 is the Front Perspective view of the insulated external parking bushing.

FIG. 2 is the rear perspective view of the insulated external parking bushing.

FIG. 3 is the rear elevation view of the insulated external parking bushing of FIG. 1.

FIG. 4 is the front elevation view of the insulated external parking bushing of FIG. 1.

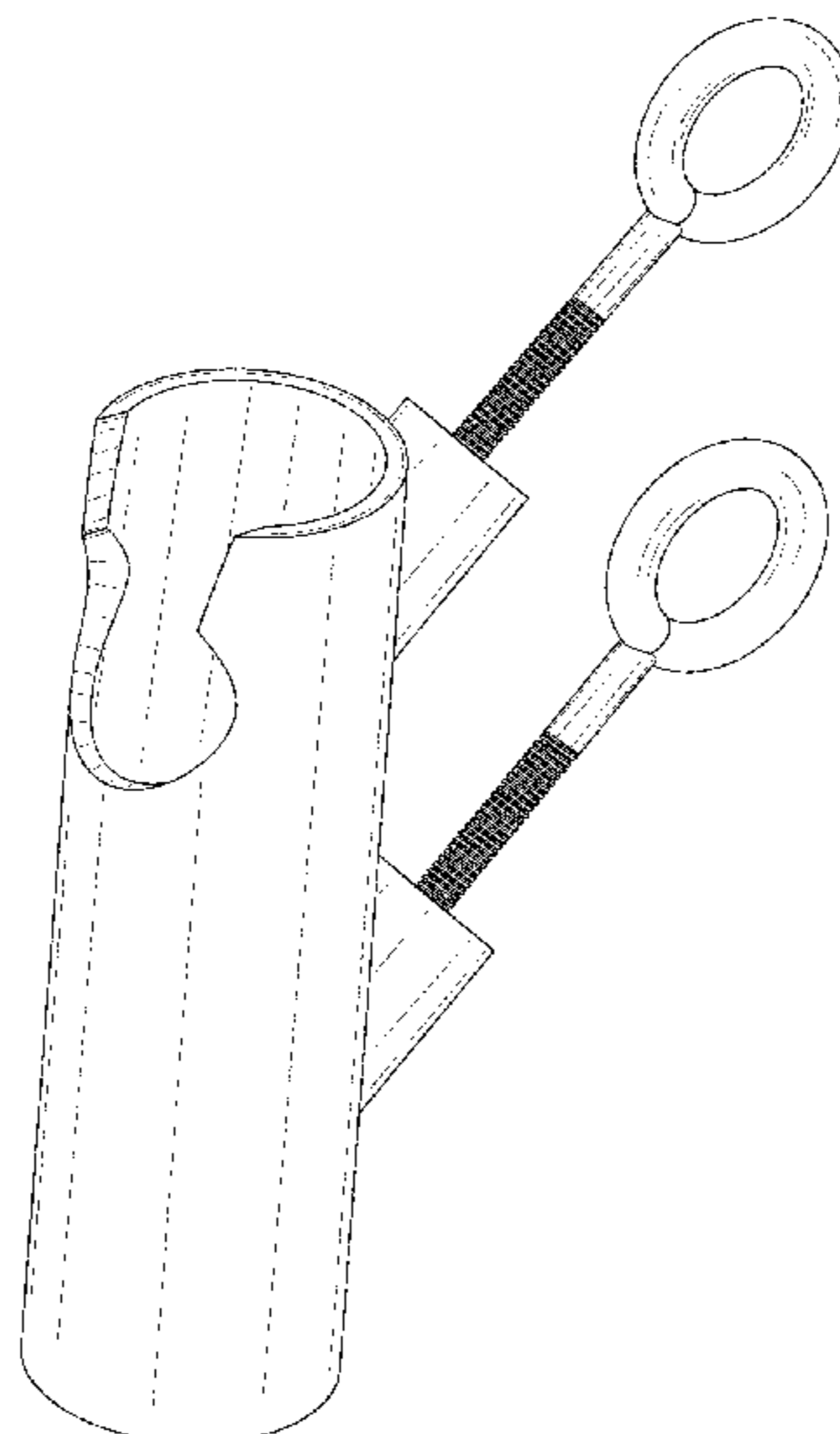
FIG. 5 is the right side elevation view of the insulated external parking bushing of FIG. 1.

FIG. 6 is the left side elevation view of the insulated external parking bushing of FIG. 1.

FIG. 7 is the top plan view of the insulated external parking bushing of FIG. 1; and,

FIG. 8 is the bottom plan view side of the insulated external parking bushing of FIG. 1.

1 Claim, 6 Drawing Sheets



(56)

References Cited

U.S. PATENT DOCUMENTS

D543,694	S	*	6/2007	Wang	D3/218
D587,097	S	*	2/2009	Smith	D8/354
D761,085	S	*	7/2016	Cox	D8/354
D801,415	S	*	10/2017	Howry	D16/242
D828,007	S	*	9/2018	Tallarida	D3/10
D845,110	S	*	4/2019	Cox	D8/354
D850,780	S	*	6/2019	Bird	D3/10
D859,952	S	*	9/2019	Ulloa	D8/71
D869,919	S	*	12/2019	Tipton	D8/8
2011/0092088	A1	*	4/2011	Siebens	H01R 31/06 439/181
2018/0316124	A1	*	11/2018	Fleming	H01R 13/53
2020/0176896	A1	*	6/2020	Fleming	H01R 4/28

* cited by examiner

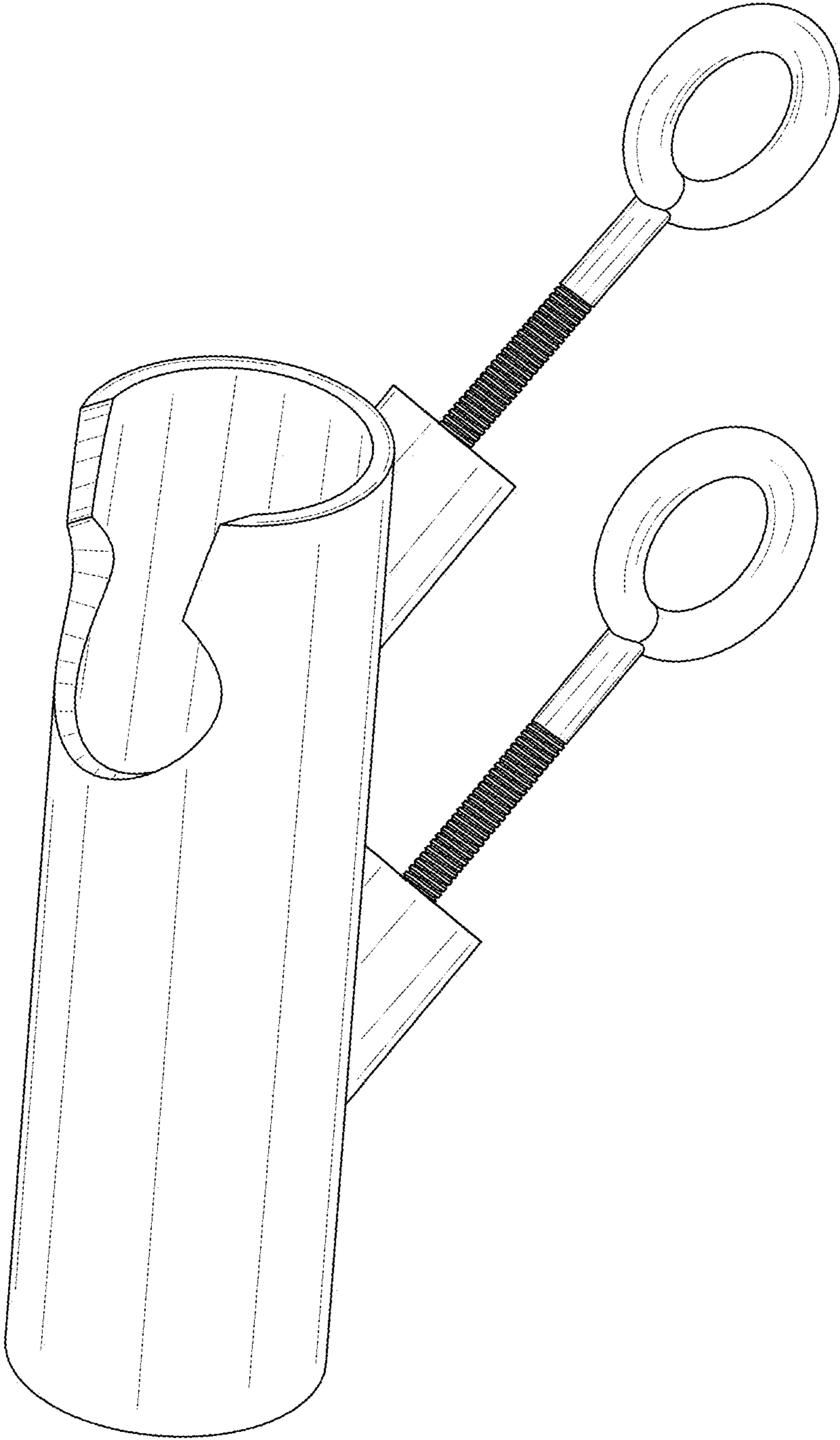


FIG. 1

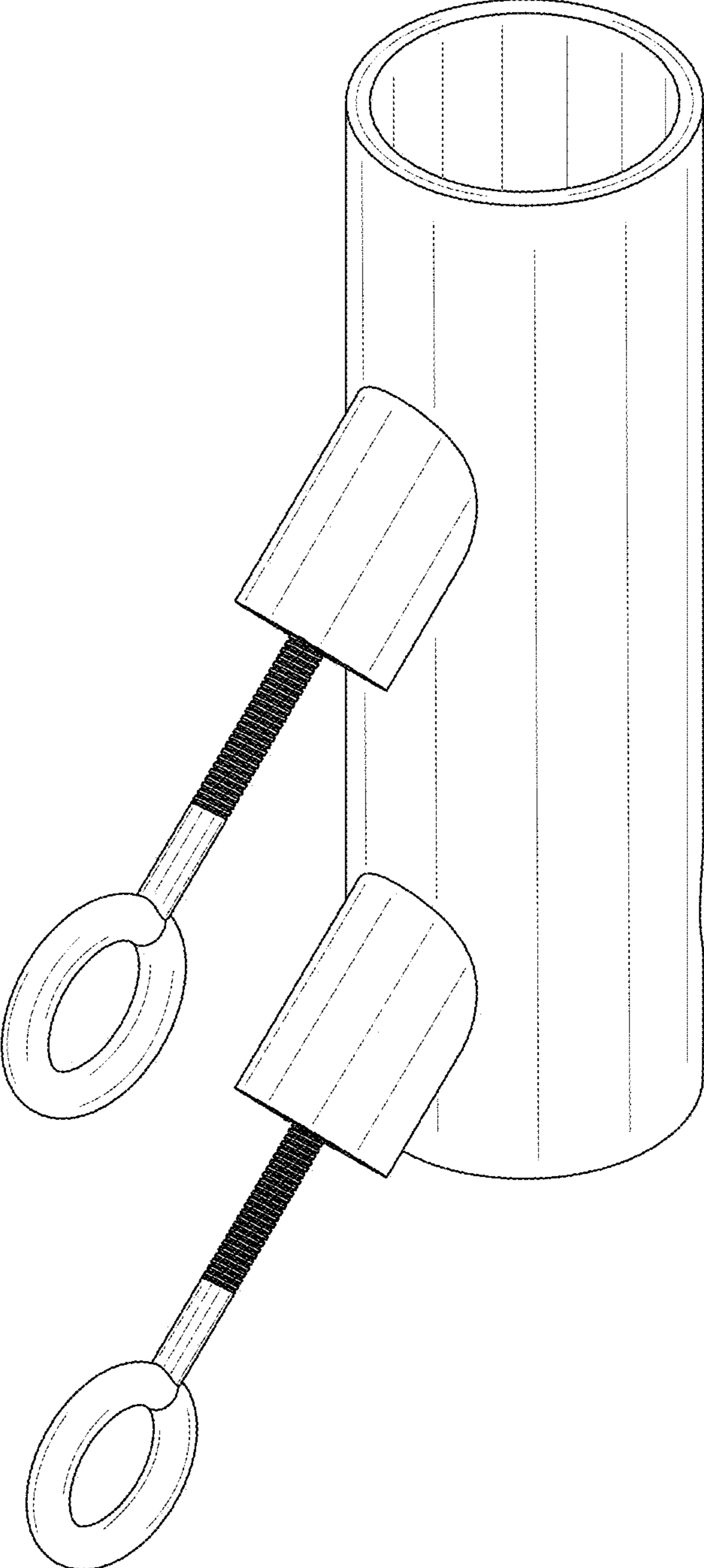


FIG. 2

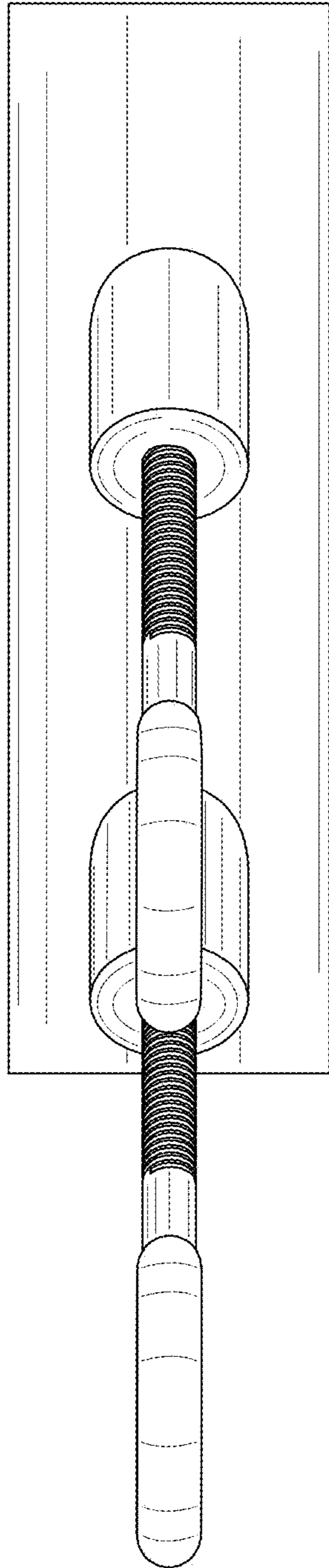


FIG. 3

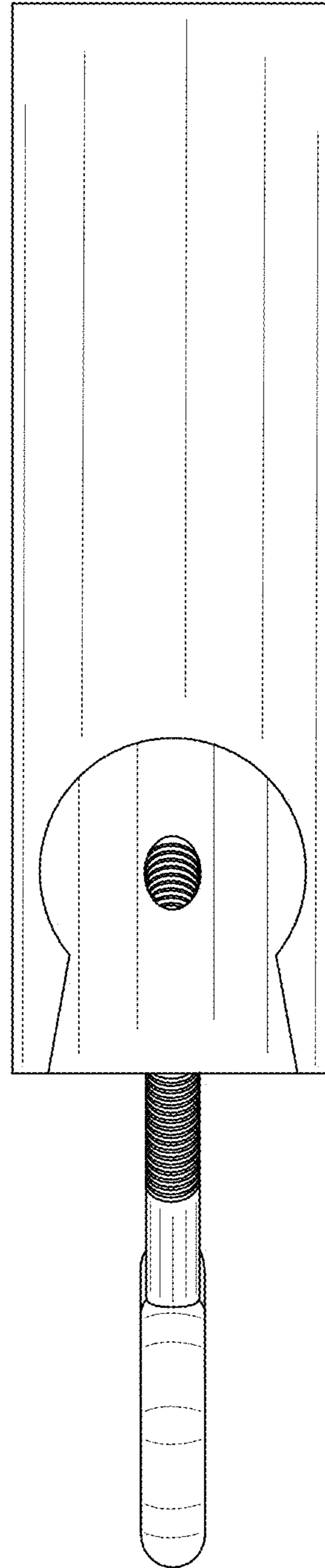


FIG. 4

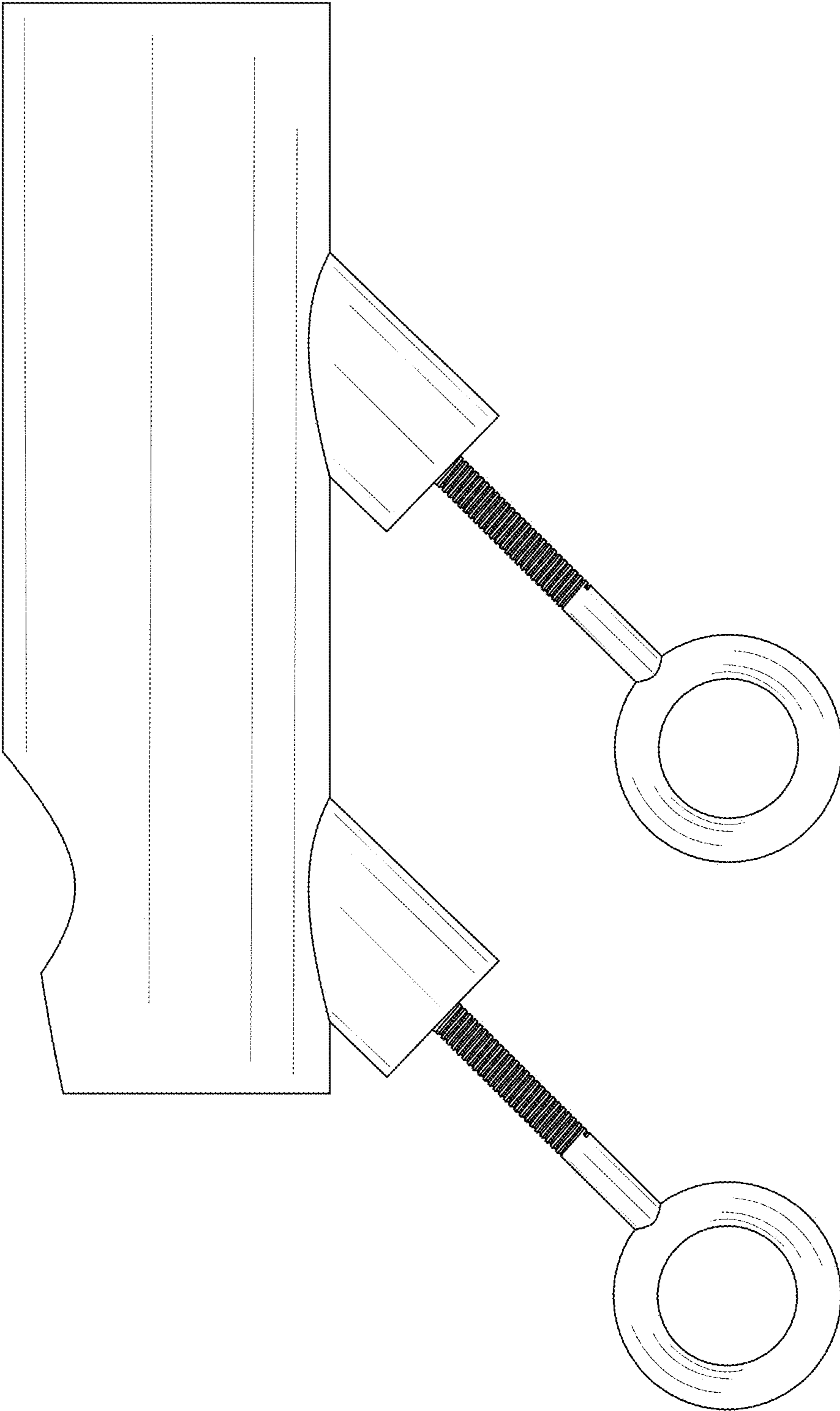


FIG. 5

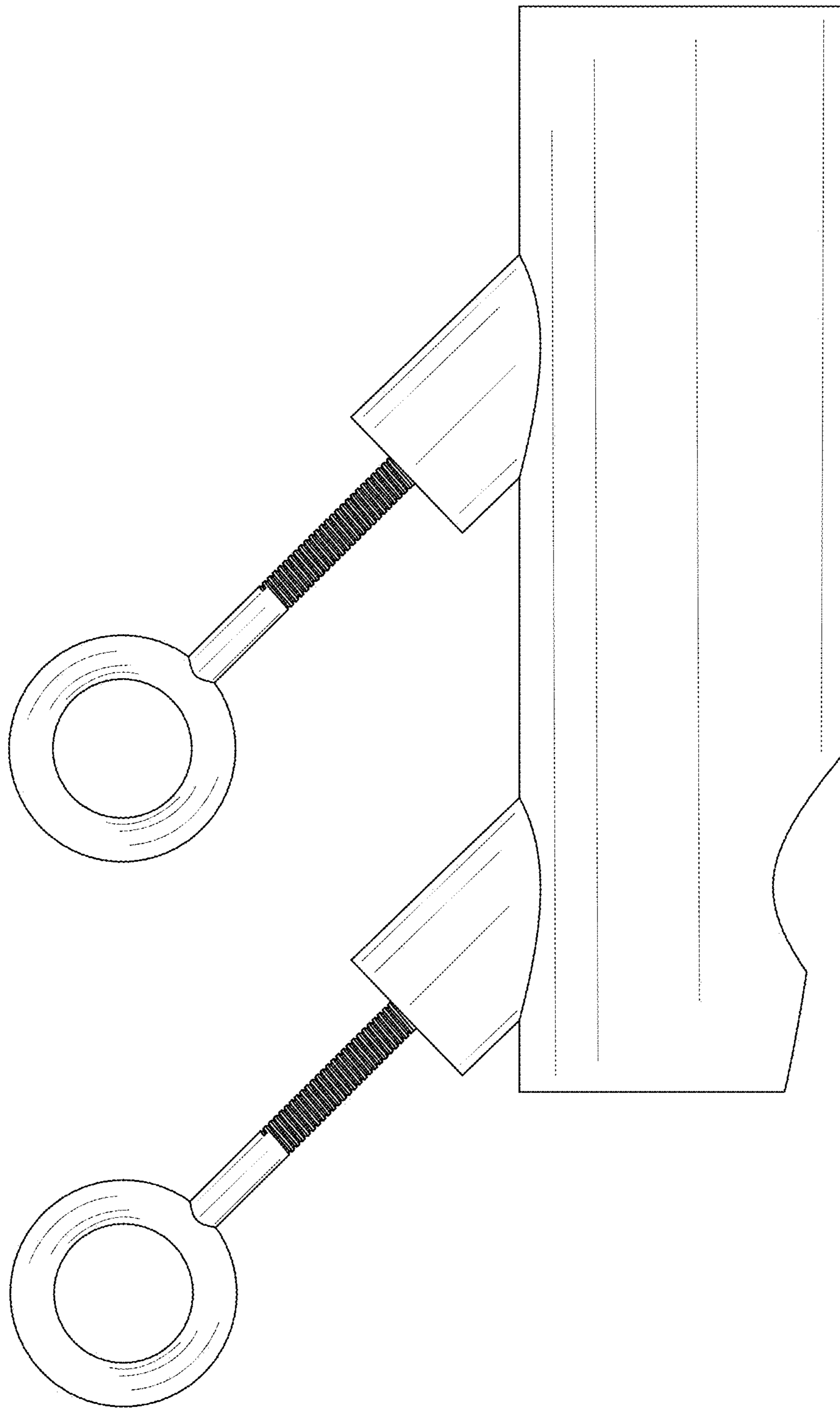


FIG. 6

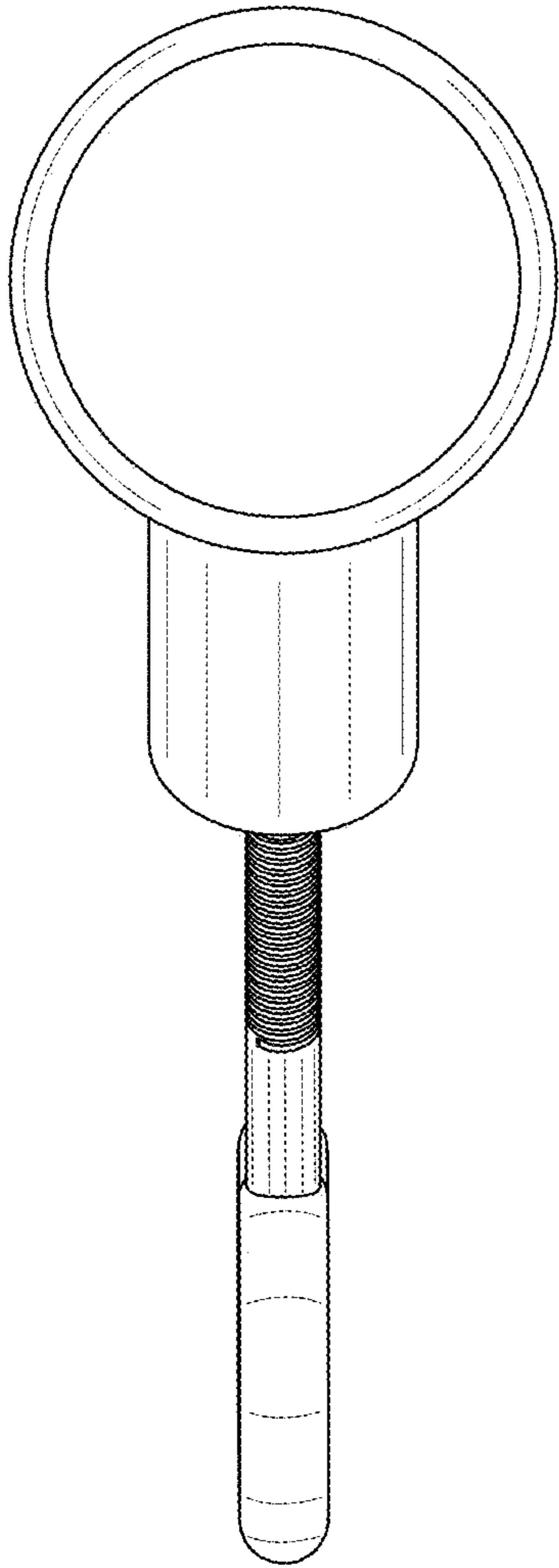


FIG. 7

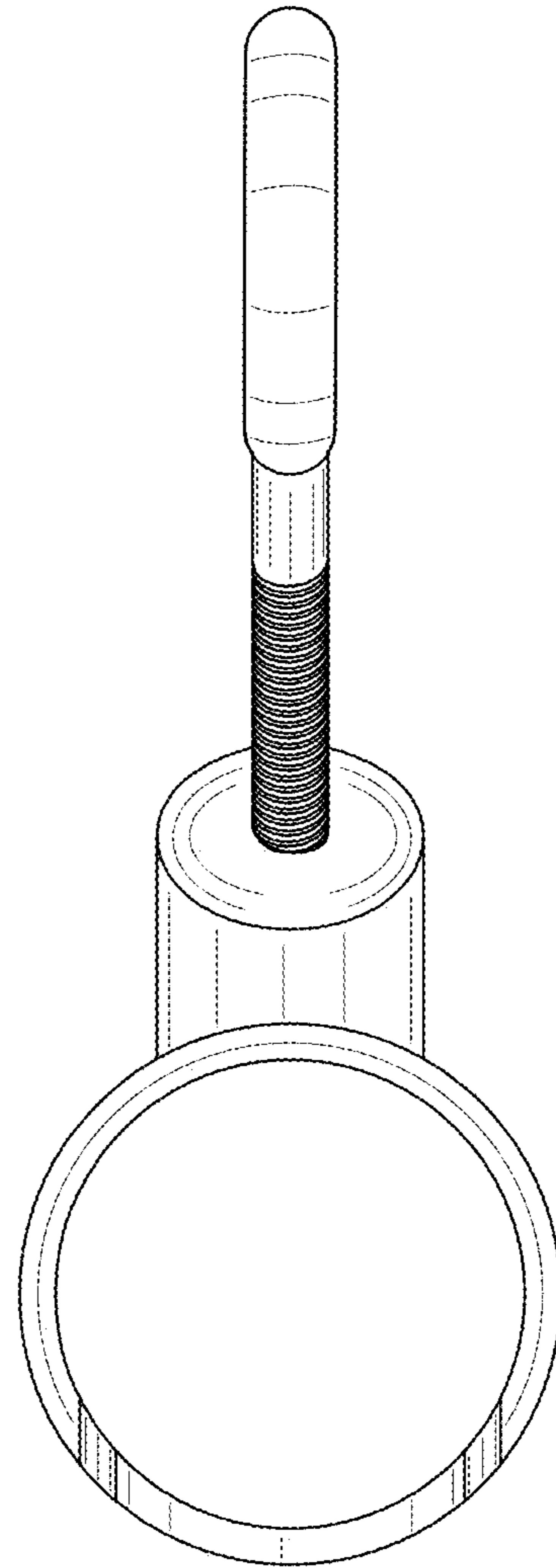


FIG. 8