



US00D904845S

(12) **United States Design Patent** (10) **Patent No.:** **US D904,845 S**
Scimone (45) **Date of Patent:** **** Dec. 15, 2020**

(54) **CHISEL BLADE**
(71) Applicant: **SLICE, INC.**, San Jose, CA (US)
(72) Inventor: **Thomas John Scimone**, San Jose, CA (US)
(**) Term: **15 Years**
(21) Appl. No.: **29/685,271**
(22) Filed: **Mar. 27, 2019**
(51) **LOC (12) Cl.** **08-05**
(52) **U.S. Cl.**
USPC **D8/47**
(58) **Field of Classification Search**
USPC D8/14, 16, 17, 20, 45, 47, 98, 105, 11;
D32/46; D7/688; D15/139; D24/133
CPC B44D 3/164; A47L 13/02; A47L 13/08;
E04F 21/00
See application file for complete search history.

6,735,840 B2 * 5/2004 Gibbs B44D 3/162
15/236.07
D496,231 S * 9/2004 Germany D7/688
D537,589 S * 2/2007 Huddleston D32/47
7,257,896 B2 * 8/2007 Kurtz B25D 3/00
30/167
D663,591 S * 7/2012 Madren D7/688
D677,847 S * 3/2013 Thompson D32/46
D687,202 S * 7/2013 Motsenbocker D32/46
D740,625 S * 10/2015 Audette, Jr. D7/696
D802,238 S * 11/2017 McBrady D32/43
D835,370 S * 12/2018 Thompson D32/46
D861,443 S * 10/2019 Sheiner D8/16
D865,308 S * 10/2019 Mizutani D32/46
D867,094 S * 11/2019 Rowley D8/88
2002/0157328 A1 * 10/2002 Holder E04F 13/0853
52/126.1

* cited by examiner

Primary Examiner — Philip S Hyder
(74) *Attorney, Agent, or Firm* — Ellenoff Grossman & Schole LLP; James M. Smedley; Alex Korona

(57) **CLAIM**

I claim the ornamental design for a chisel blade, as shown and described.

DESCRIPTION

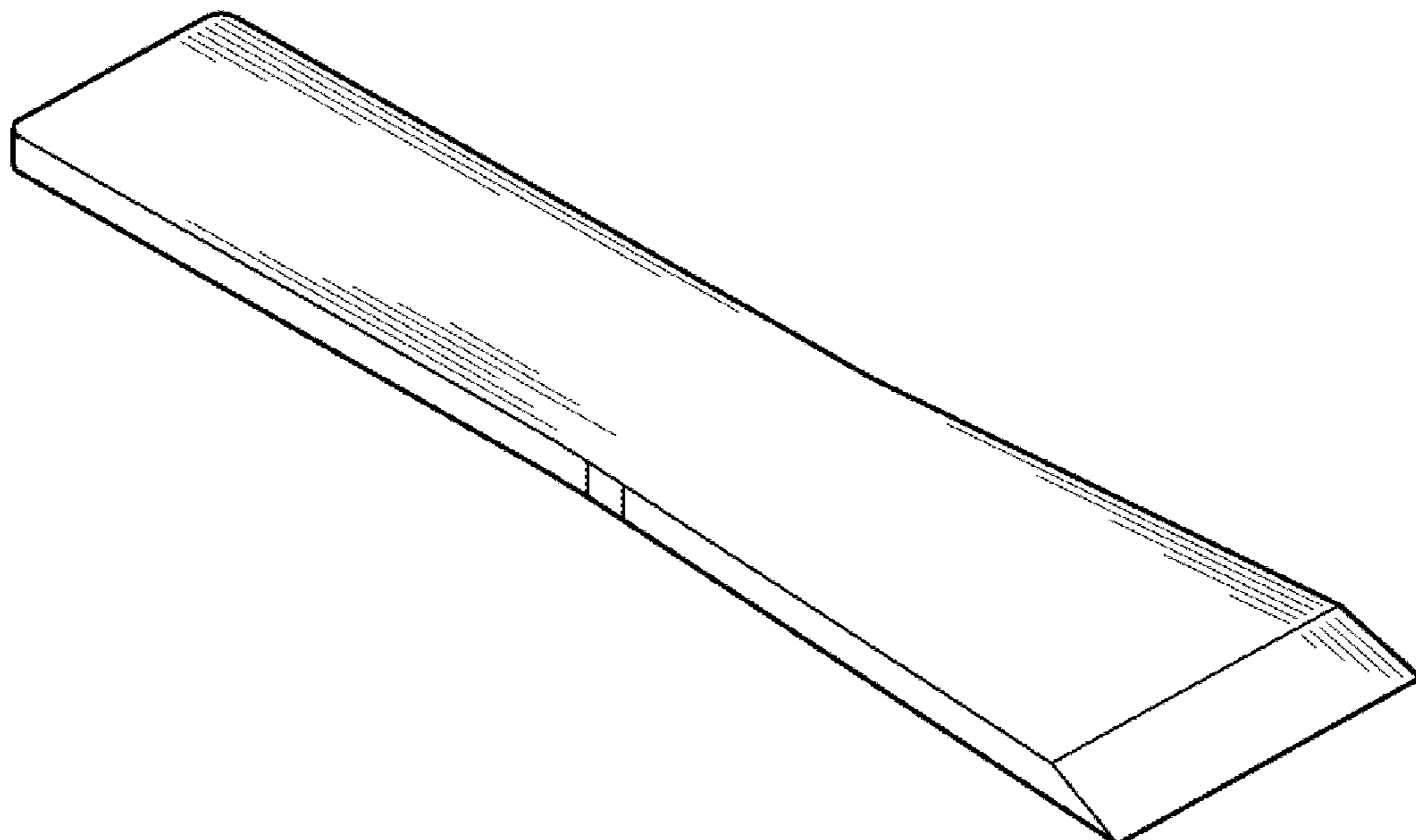
FIG. 1 is a perspective view showing the new design.
FIG. 2 is a top view showing the new design.
FIG. 3 is a bottom view showing the new design.
FIG. 4 is side view showing the new design.
FIG. 5 is a front view showing the new design; and,
FIG. 6 is a rear view showing the new design.
The shading lines shown in the drawings represent the approximate three-dimensional contour of the design, and are not intended to indicate surface decoration.
The broken lines shown in the drawings are for illustrative purposes only and form no part of the claimed design.

1 Claim, 1 Drawing Sheet

(56) **References Cited**

U.S. PATENT DOCUMENTS

3,465,508 A * 9/1969 Edwards A01D 34/73
56/295
4,040,140 A * 8/1977 Hopkins B60S 3/045
15/236.02
4,349,961 A * 9/1982 Pendleton B25G 3/08
30/168
D269,944 S * 8/1983 Young D32/40
4,524,514 A * 6/1985 Mallalieu B25G 3/26
16/430
4,538,320 A * 9/1985 Batt B60S 3/045
15/105
4,683,592 A * 8/1987 Strongwater A41D 13/085
15/227
D379,256 S * 5/1997 Tipp D32/46
D435,408 S * 12/2000 Panfili D8/105



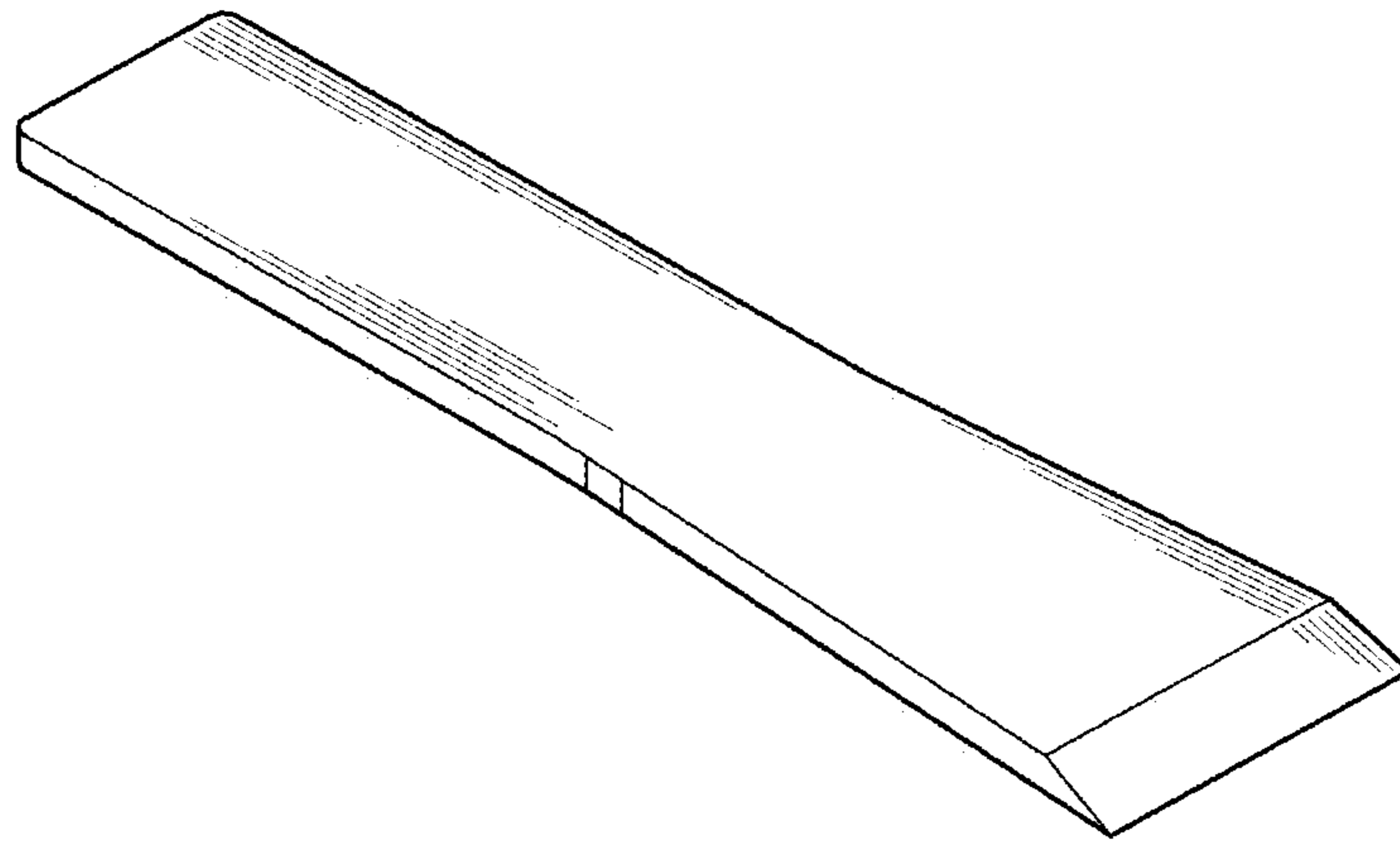


FIG. 1

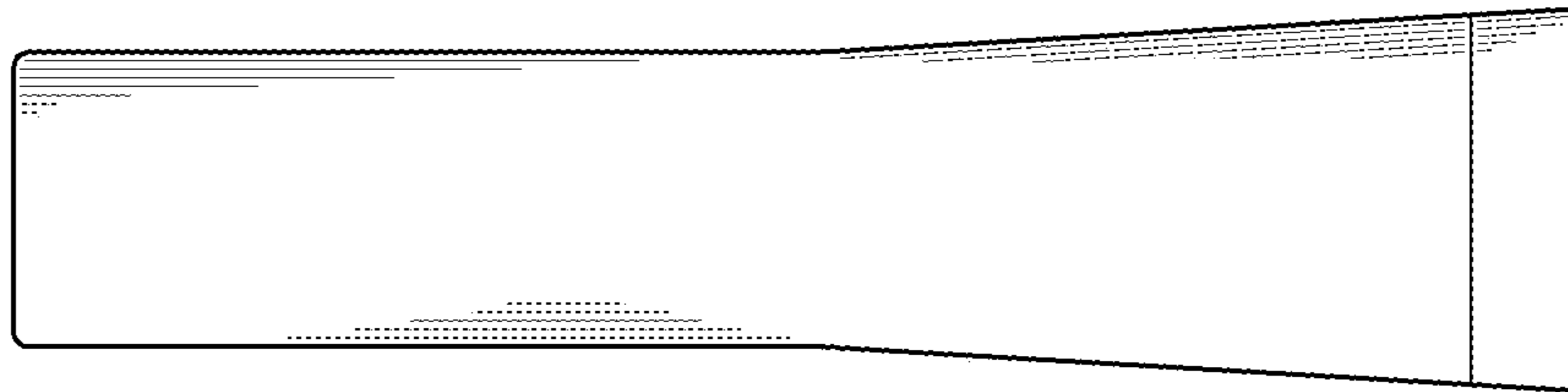


FIG. 2

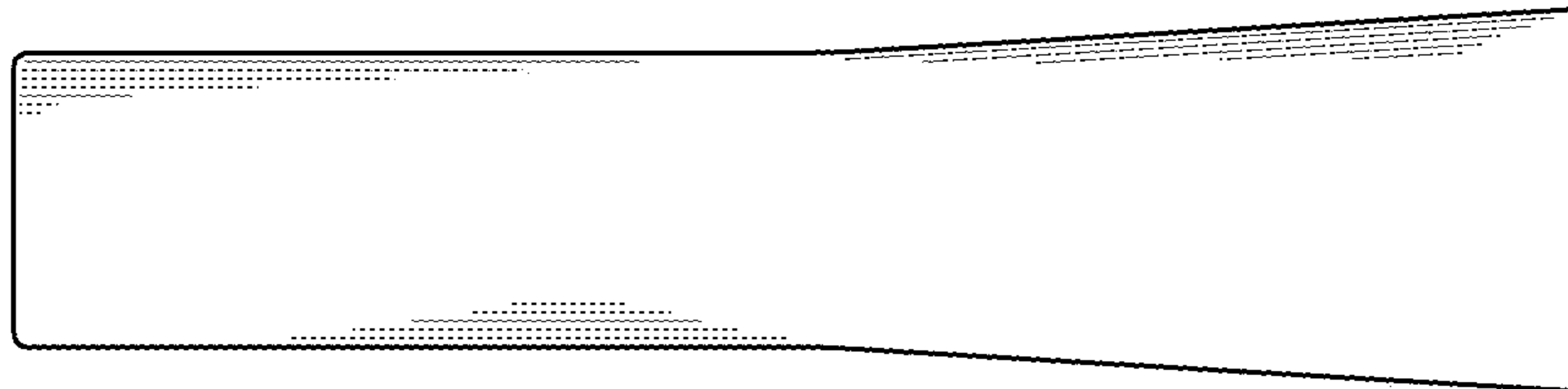


FIG. 3



FIG. 4



FIG. 5



FIG. 6