



US00D904844S

(12) **United States Design Patent**
Sweeting

(10) **Patent No.:** **US D904,844 S**

(45) **Date of Patent:** **** Dec. 15, 2020**

- (54) **BOTTLE OPENER AND PIPE**
- (71) Applicant: **PSS Innovations LLC**, Brooklyn, NY (US)
- (72) Inventor: **Philip Sweeting**, Brooklyn, NY (US)
- (73) Assignee: **PSS INNOVATIONS LLC**, Brooklyn, NY (US)
- (**) Term: **15 Years**
- (21) Appl. No.: **29/694,911**
- (22) Filed: **Jun. 14, 2019**
- (51) **LOC (12) Cl.** **07-99**
- (52) **U.S. Cl.**
USPC **D8/34; D27/163**
- (58) **Field of Classification Search**
USPC D8/18, 33-43, 88, 89; D27/125, 163, D27/164, 175, 180
CPC B67B 7/00; B67B 7/02; B67B 7/12; B67B 7/14; B67B 7/16; B67B 7/162; B67B 7/18; B67B 7/20; B67B 7/40; B67B 7/44
See application file for complete search history.

(56) **References Cited**

U.S. PATENT DOCUMENTS

- 1,676,648 A * 7/1928 Hardiman B67B 7/16 81/3.57
- 2,018,083 A * 10/1935 Murdock B67B 7/16 81/3.57
- D102,406 S * 12/1936 Altizer et al. D27/163
- D143,233 S * 12/1945 Moore D8/43
- D155,314 S * 9/1949 Pessina D8/18
- 2,750,662 A * 6/1956 Kubik B67B 7/24 30/450
- 3,142,903 A * 8/1964 Stiller B67B 7/44 30/450
- D223,753 S * 6/1972 Seals D12/400

- D245,393 S * 8/1977 Madsen D8/18
- D254,834 S * 4/1980 Madsen D8/18
- D255,773 S * 7/1980 Raske D15/9.1
- 4,653,354 A * 3/1987 Clapp B22F 3/1017 76/101.1
- D301,196 S * 5/1989 Price D8/18
- 4,949,600 A * 8/1990 Tricinella B67B 7/44 81/3.09
- D356,237 S * 3/1995 White D8/34
- D390,434 S * 2/1998 Agüero D8/33
- D442,328 S * 5/2001 Barmes D27/163
- D448,552 S * 10/2001 Richards D3/210
- D454,287 S * 3/2002 Wolf D8/40
- D472,435 S * 4/2003 Kelleghan D8/38
- D497,087 S * 10/2004 Gallo D3/211
- D504,289 S * 4/2005 Kelleghan D8/38
- D624,376 S * 9/2010 Wysopal D8/34
- D693,202 S * 11/2013 Berman D8/105
- D718,588 S * 12/2014 Gutierrez D8/34
- D731,272 S * 6/2015 Salvat D8/34
- D732,913 S * 6/2015 Lozano D8/18

(Continued)

Primary Examiner — Elizabeth A. Albert
(74) *Attorney, Agent, or Firm* — Rossi, Kimms & McDowell LLP

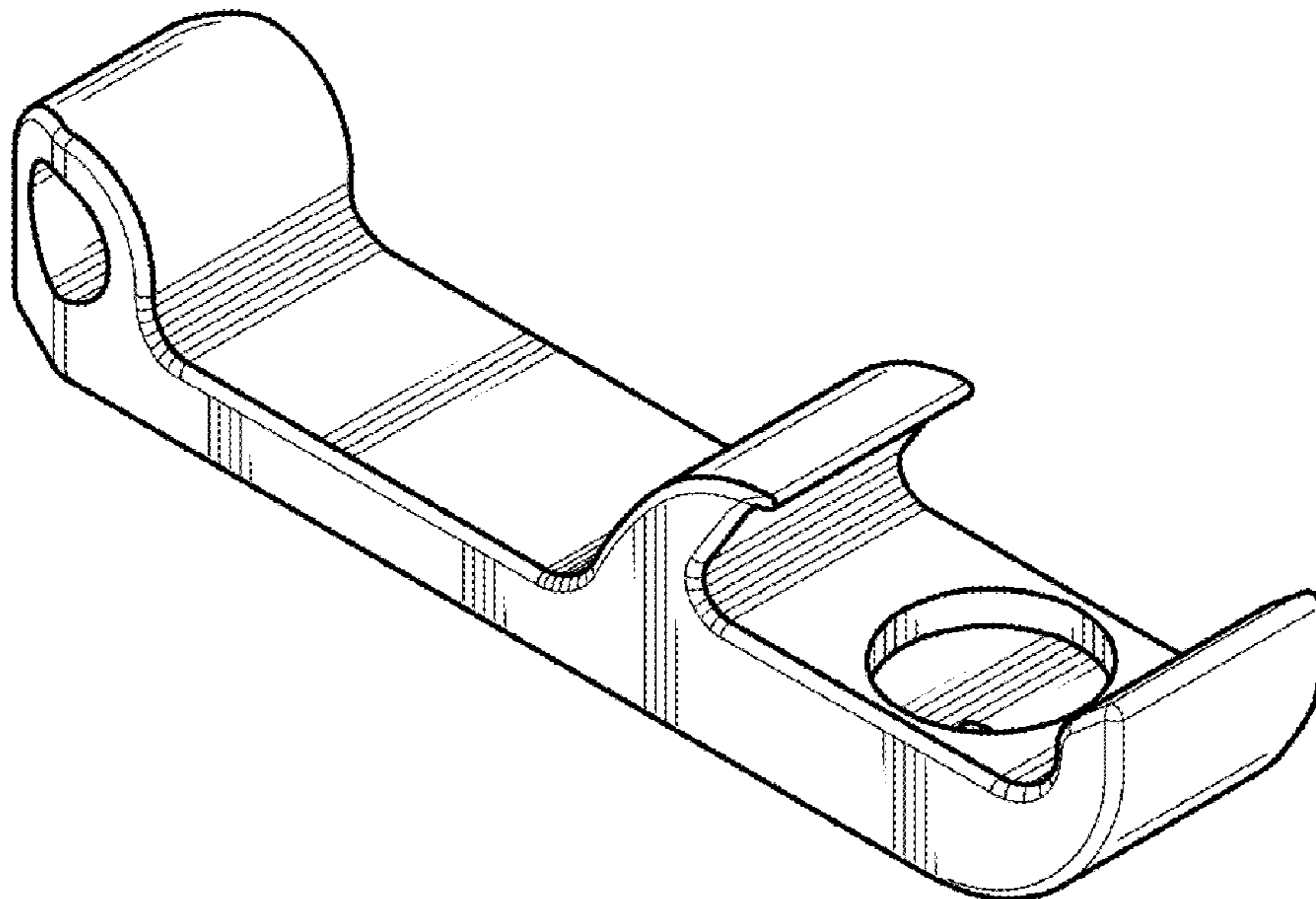
(57) **CLAIM**

The ornamental design for a bottle opener and pipe, as shown and described.

DESCRIPTION

FIG. 1 is a top, front, right perspective view of a bottle opener and pipe showing my new design.
FIG. 2 is a top, rear, left perspective view thereof.
FIG. 3 is a right side view thereof.
FIG. 4 is a left side view thereof.
FIG. 5 is a top view thereof.
FIG. 6 is a bottom view thereof.
FIG. 7 is a front view thereof; and,
FIG. 8 is a back view thereof.

1 Claim, 2 Drawing Sheets



(56)

References Cited

U.S. PATENT DOCUMENTS

2012/0285297 A1 * 11/2012 Rozmus B67B 7/403
81/3.57

* cited by examiner

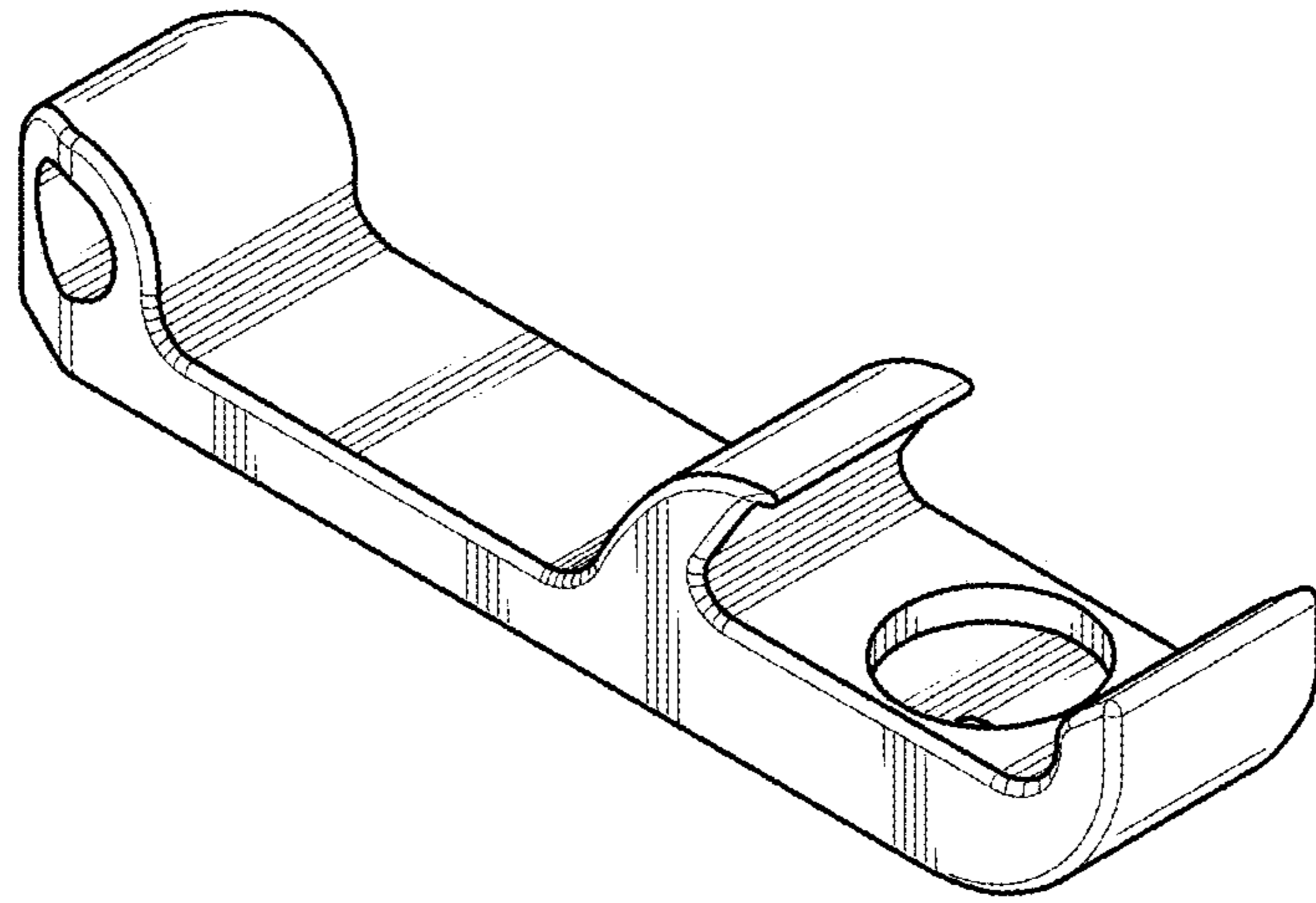


FIG. 1

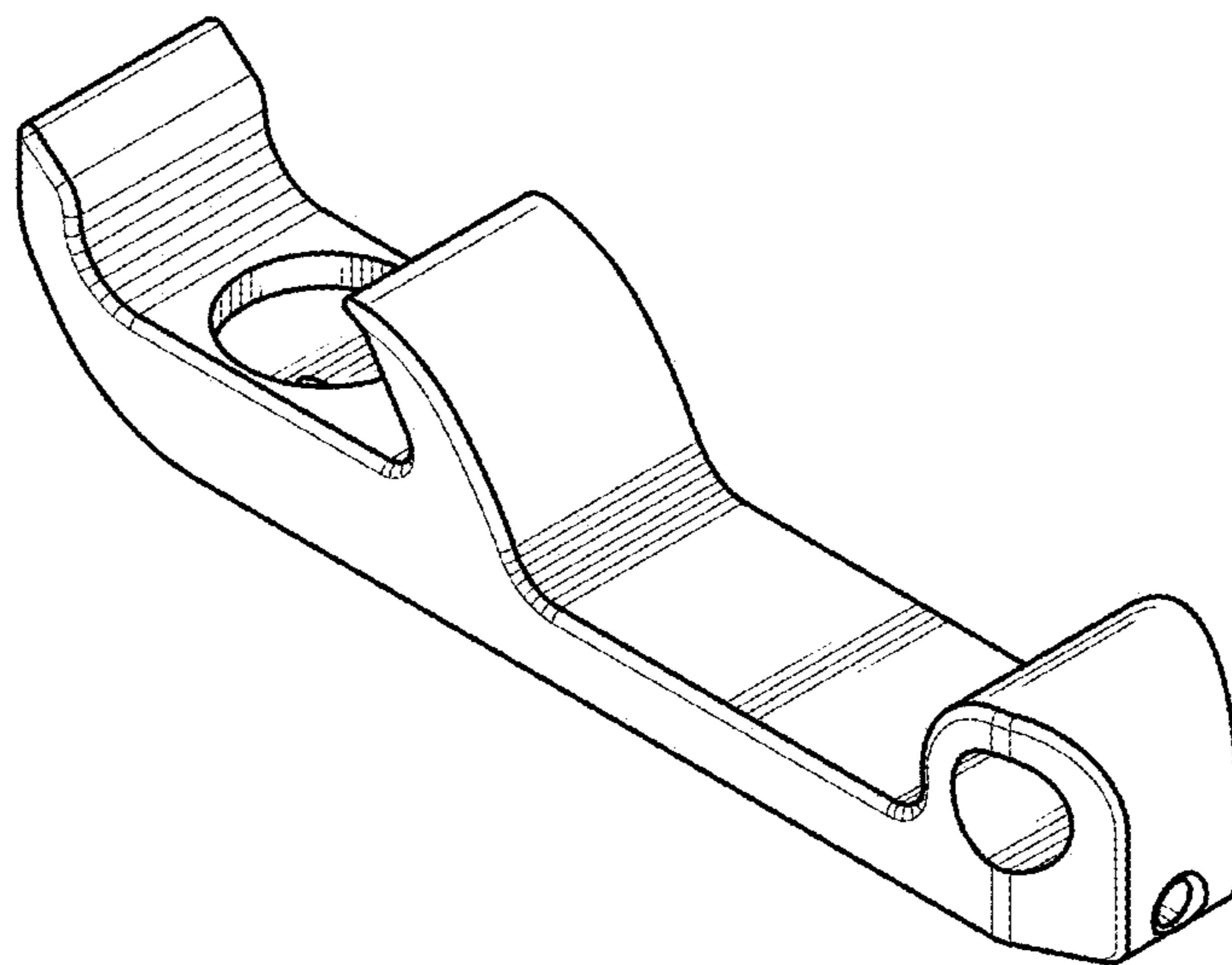


FIG. 2

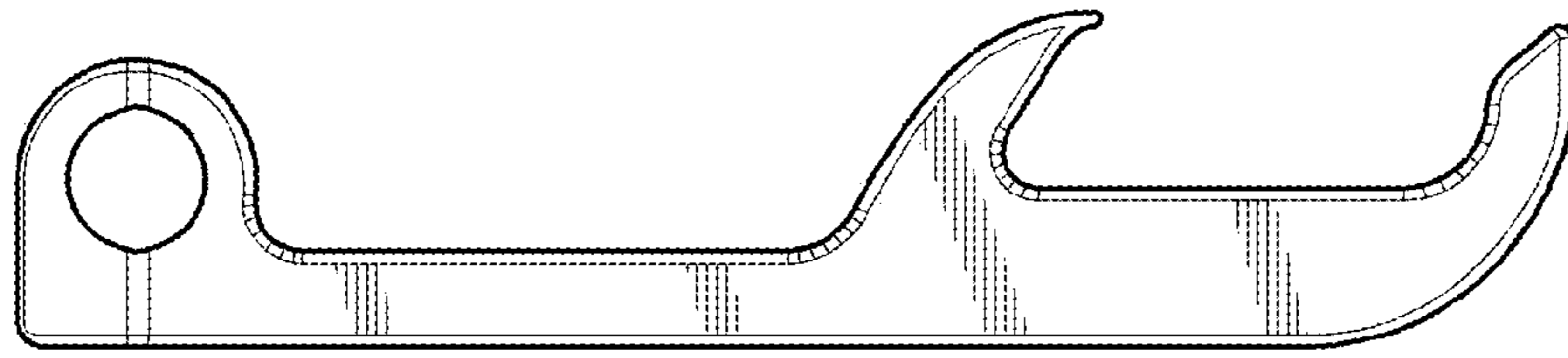


FIG. 3

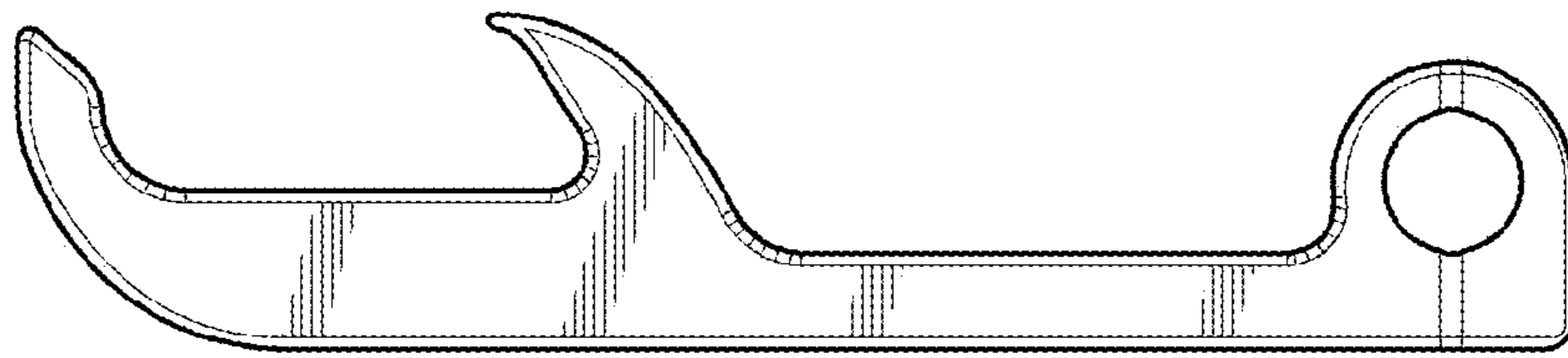


FIG. 4

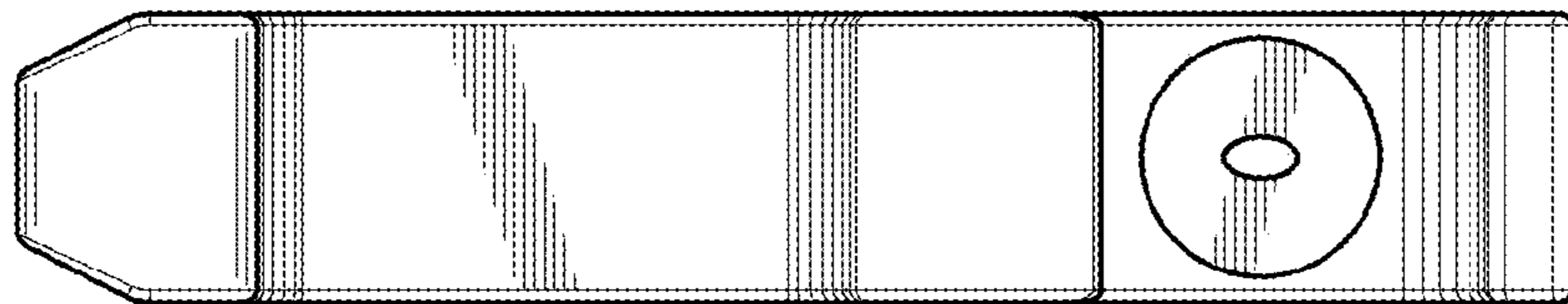


FIG. 5

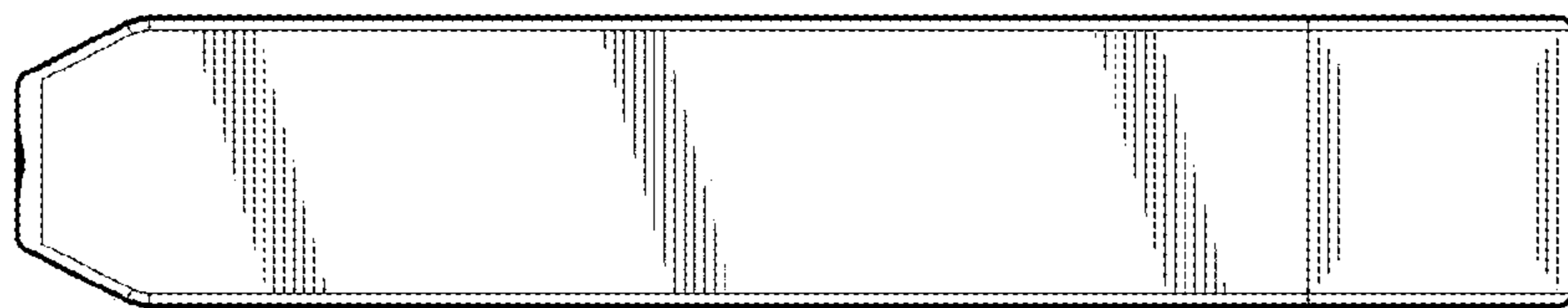


FIG. 6

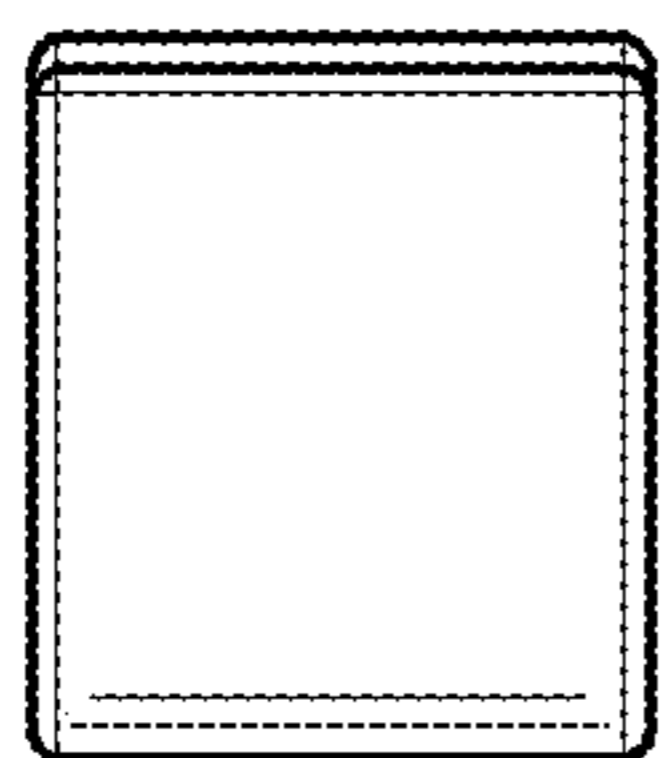


FIG. 7

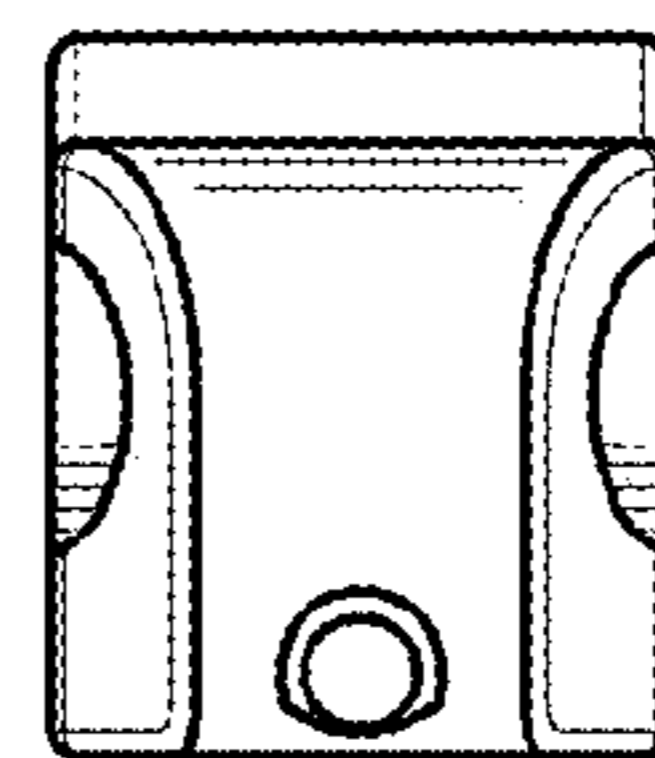


FIG. 8