



US00D904843S

(12) **United States Design Patent** (10) **Patent No.:** **US D904,843 S**
Hollinger (45) **Date of Patent:** **** Dec. 15, 2020**

(54) **HANDHELD HEAT IRON**
(71) Applicant: **E. MISHAN & SONS, INC.**, New York, NY (US)
(72) Inventor: **Fred Hollinger**, Monroe Township, NJ (US)
(73) Assignee: **E. Mishan & Sons, Inc.**, New York, NY (US)

D722,256 S * 2/2015 Kita D8/30
D739,696 S 9/2015 Miyazaki et al.
D743,324 S 11/2015 Deng et al.
D803,658 S * 11/2017 Perez D8/107
D829,520 S 10/2018 Miyazaki
D830,683 S 10/2018 Hollinger
10,232,456 B2 * 3/2019 Kataoka B23K 3/033
D846,966 S * 4/2019 Buckley B08B 1/00
D847,233 S * 4/2019 Gou D15/144
(Continued)

(**) Term: **15 Years**

OTHER PUBLICATIONS

(21) Appl. No.: **29/717,873**
(22) Filed: **Dec. 19, 2019**
(51) **LOC (12) Cl.** **08-05**
(52) **U.S. Cl.**
USPC **D8/30; D15/144**
(58) **Field of Classification Search**
USPC D8/14, 29.1, 29.2, 30, 47, 60, 98, 107;
D15/144, 144.1, 144.2; D24/152
CPC B23K 3/021; B23K 3/022; B23K 3/023;
B23K 3/033; B23K 3/046; B23K 3/0338
See application file for complete search history.

Andrew Heinzman. "The 5 Best Soldering Irons for Beginners and Experts." Review Geek., Nov. 18, 2019 [online], [retrieved on Nov. 2, 2020]. Retrieved from the Internet <URL: <https://www.reviewgeek.com/27865/the-5-best-soldering-irons-for-beginners-and-experts/>>.*

(Continued)

Primary Examiner — Darlington Ly
(74) *Attorney, Agent, or Firm* — Notaro, Michalos & Zaccaria P.C.

(57) **CLAIM**

The ornamental design for a handheld heat iron, as shown and described.

(56) **References Cited**

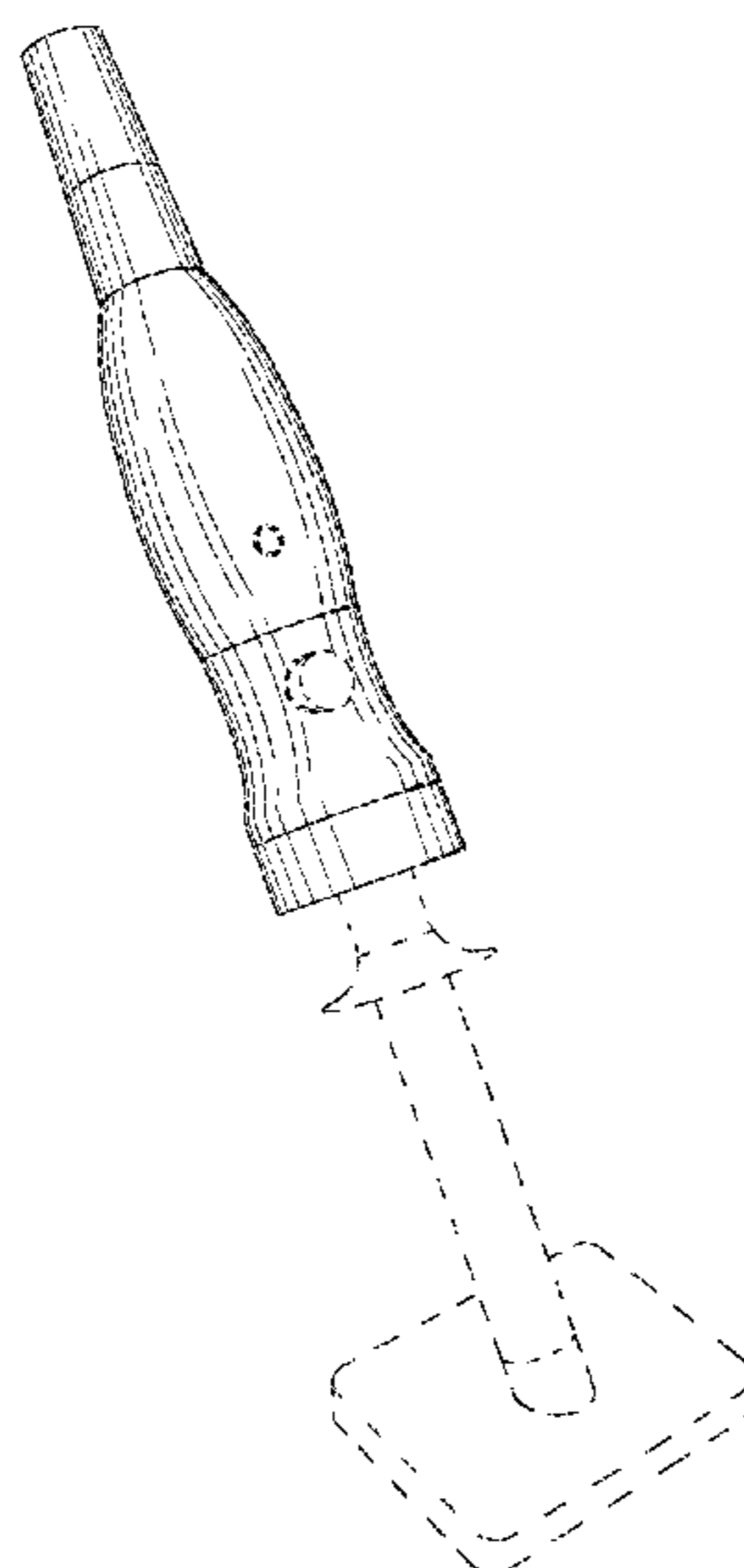
DESCRIPTION

U.S. PATENT DOCUMENTS

D269,493 S 6/1983 Koturov et al.
D317,704 S * 6/1991 Zaborowski D8/30
D328,163 S 7/1992 Mishan
D330,998 S * 11/1992 Watmore D8/30
D451,142 S 11/2001 Saito
6,513,697 B1 * 2/2003 Sines B23K 3/0338
228/51
6,989,511 B1 * 1/2006 Tsai B23K 3/0338
219/229
D522,328 S * 6/2006 Miyazaki D8/30
D530,168 S 10/2006 Doi et al.
D620,322 S 7/2010 Hollinger
D626,809 S * 11/2010 Louet-Feisser D8/30
D633,362 S * 3/2011 Ayala D8/107
D660,667 S * 5/2012 Miyazaki D8/30

FIG. 1 is a top, right perspective view of a handheld heat iron showing my/our design therefor;
FIG. 2 is a top plan view thereof;
FIG. 3 is a bottom plan view thereof;
FIG. 4 is a front elevational view thereof;
FIG. 5 is a rear elevational view thereof;
FIG. 6 is a right side elevational view thereof; and,
FIG. 7 is a left side elevational view thereof.
Throughout the drawings the broken lines form no part of the design.

1 Claim, 7 Drawing Sheets



(56)

References Cited

U.S. PATENT DOCUMENTS

D847,234 S * 4/2019 Gou D15/144
D847,235 S * 4/2019 Gou D15/144
D848,232 S * 5/2019 Tsai D8/30
D862,547 S * 10/2019 Xie D15/144.2
D865,014 S * 10/2019 Xu D15/144.2
D887,801 S * 6/2020 Li D8/30
D891,209 S * 7/2020 Gou D8/30
10,722,963 B2 * 7/2020 Shigekawa B23K 3/033
D892,579 S * 8/2020 Cheng D8/30
D897,172 S * 9/2020 Kita D8/30
D897,173 S * 9/2020 Ding D8/30

OTHER PUBLICATIONS

Tiffany J. Vera. "Best Soldering Irons Reviews in 2019." Wire Vibes., May 9, 2019 [online], [retrieved on Nov. 2, 2020]. Retrieved from the Internet <URL: <https://wirevibes.com/best-soldering-irons/>>.*

* cited by examiner

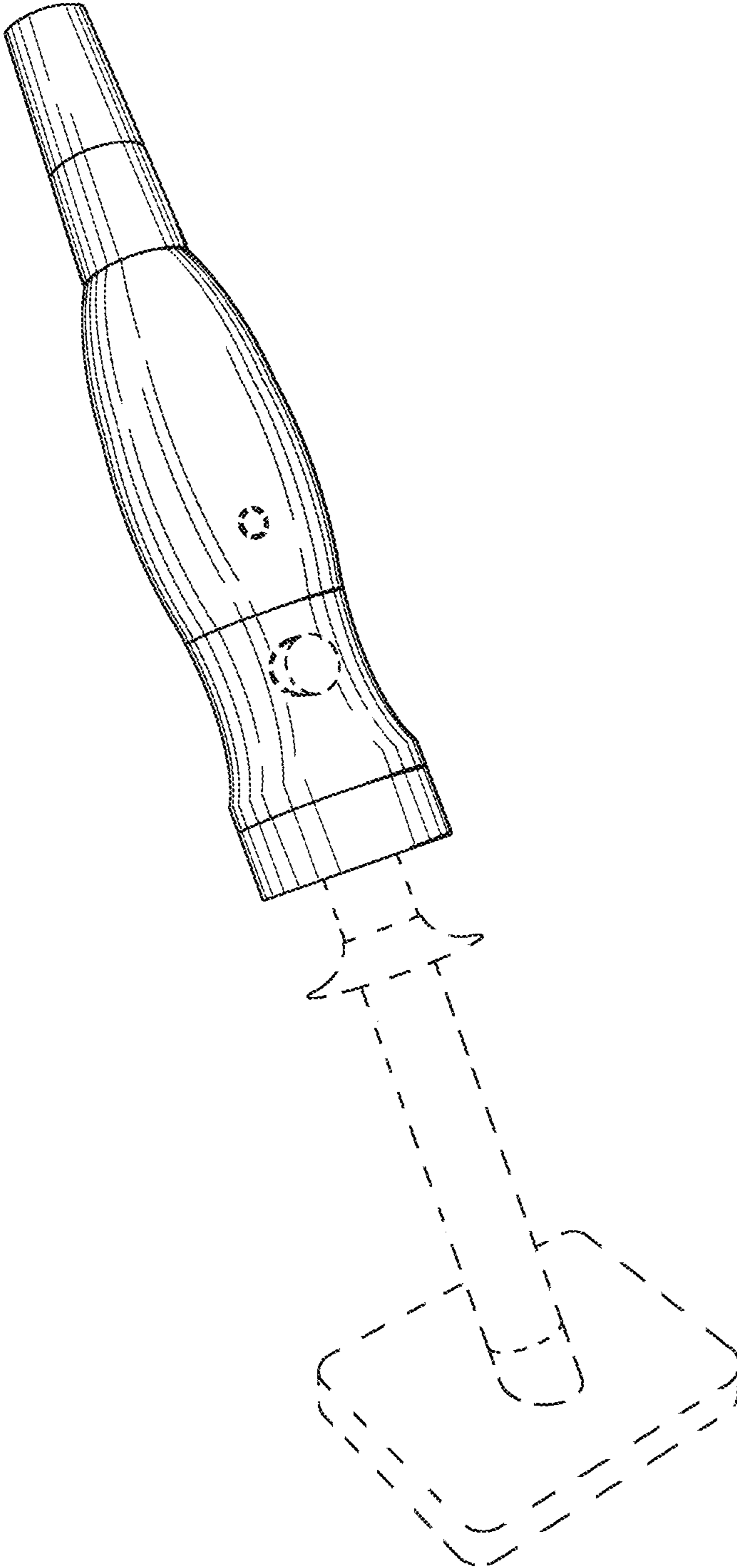


Fig.1

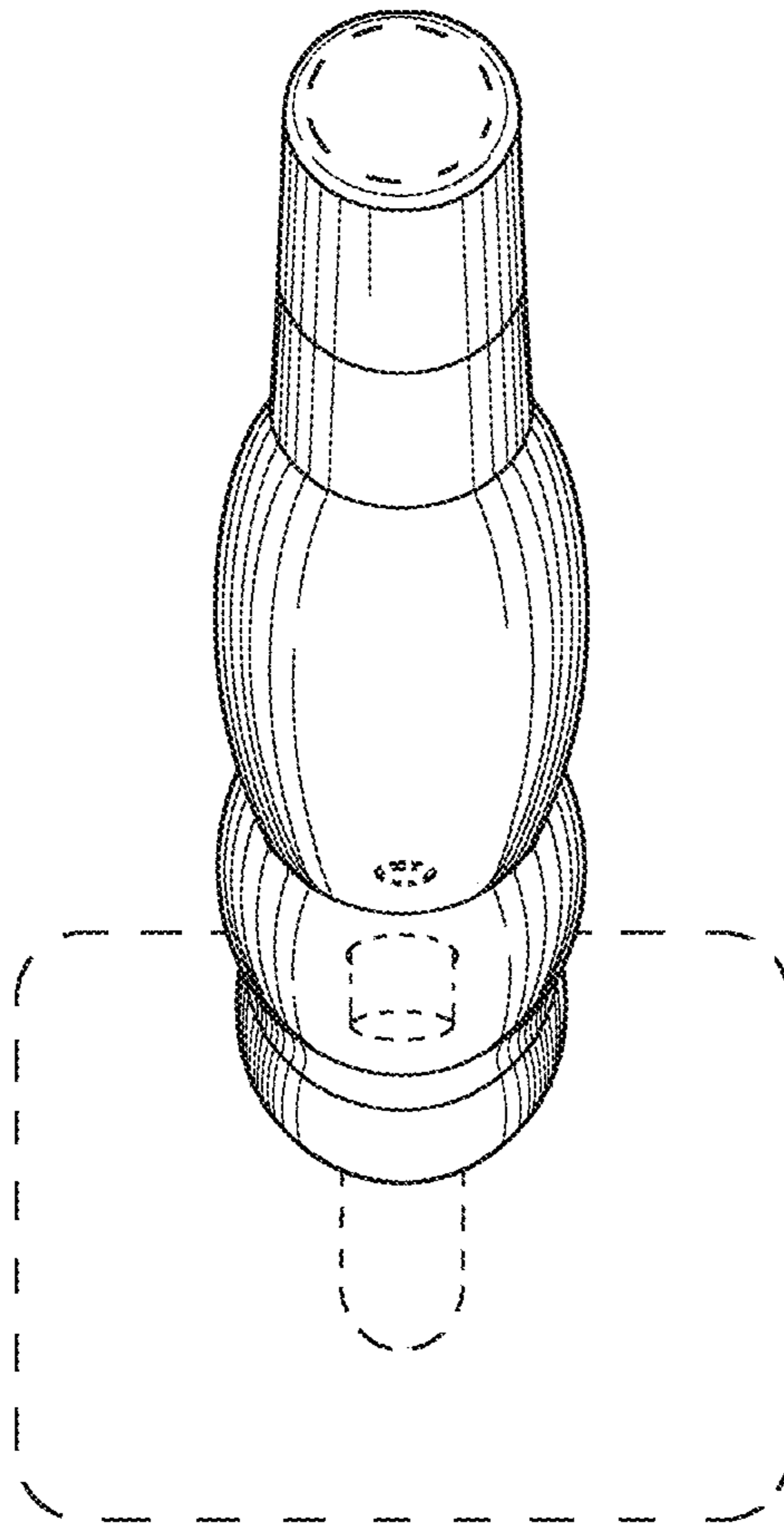


Fig.2

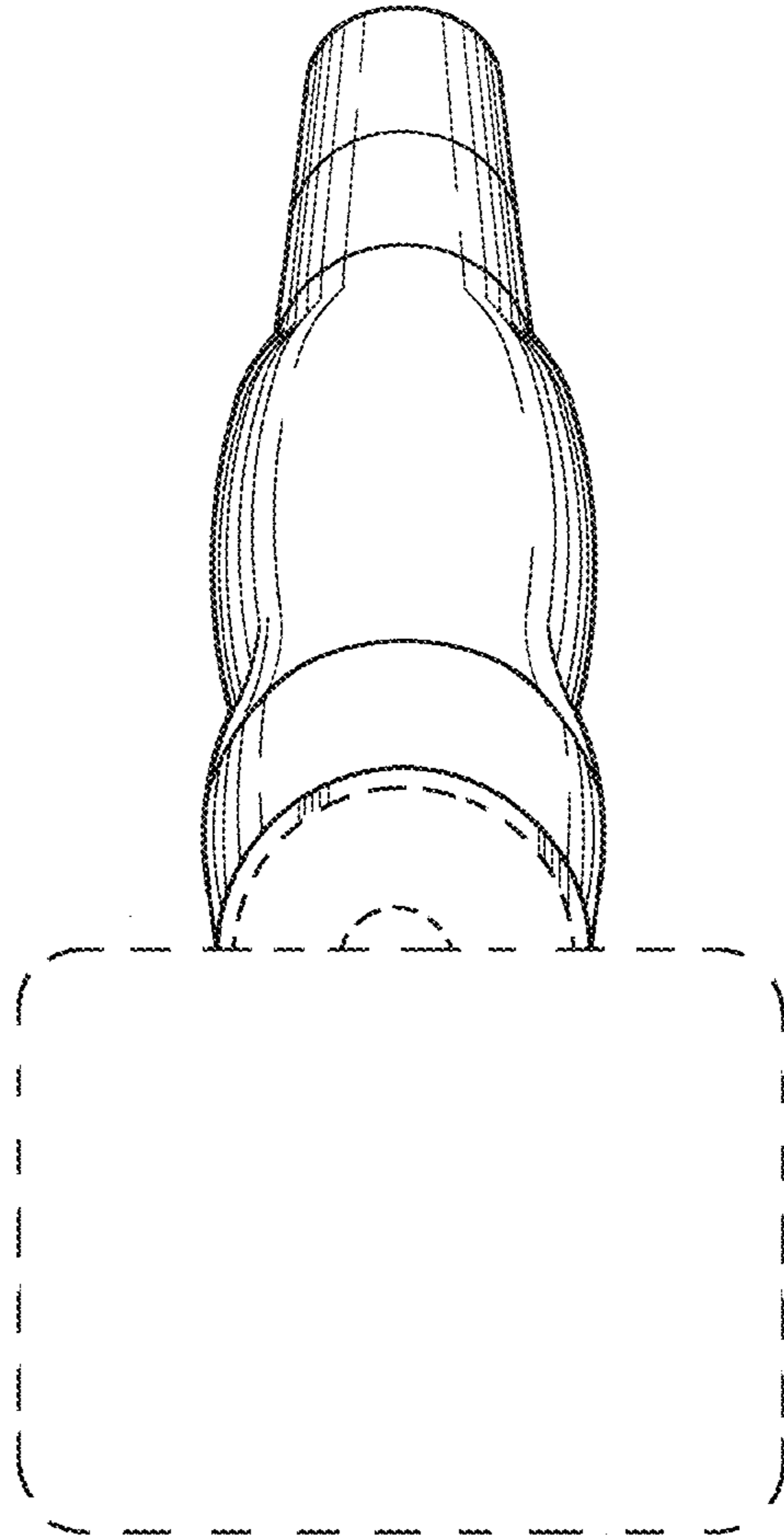


Fig.3

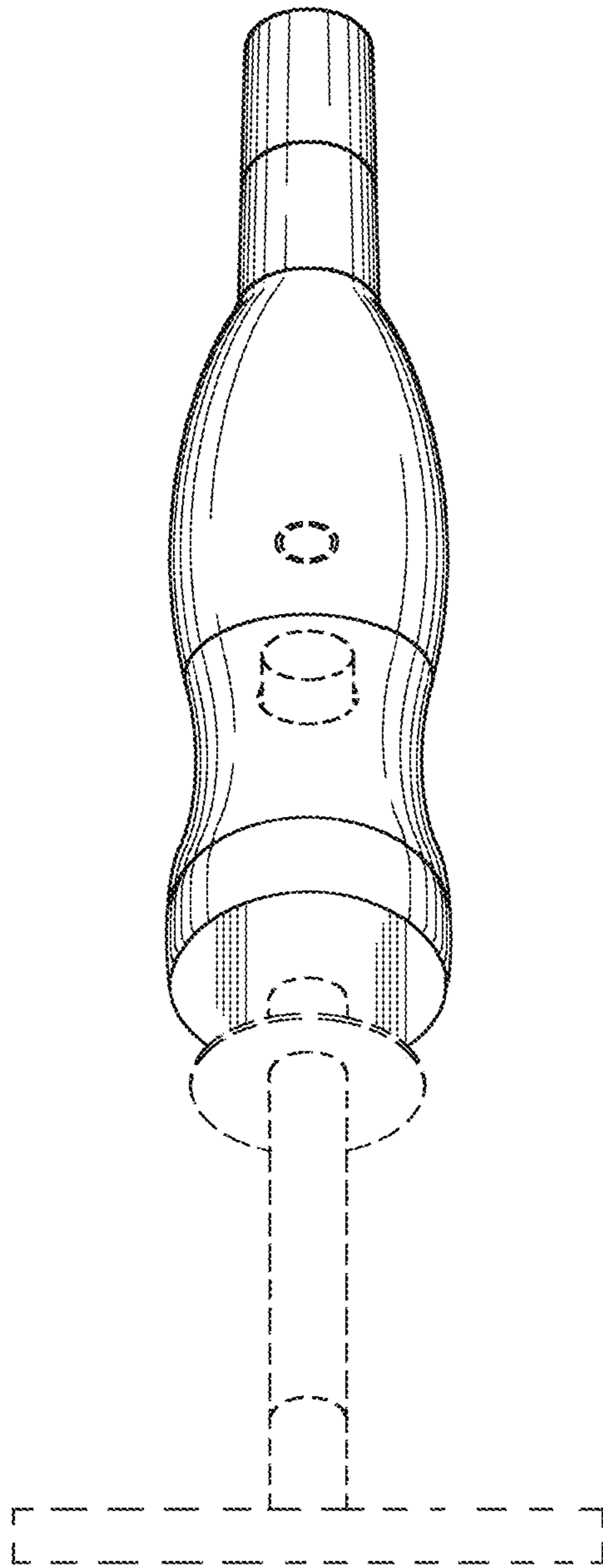


Fig. 4

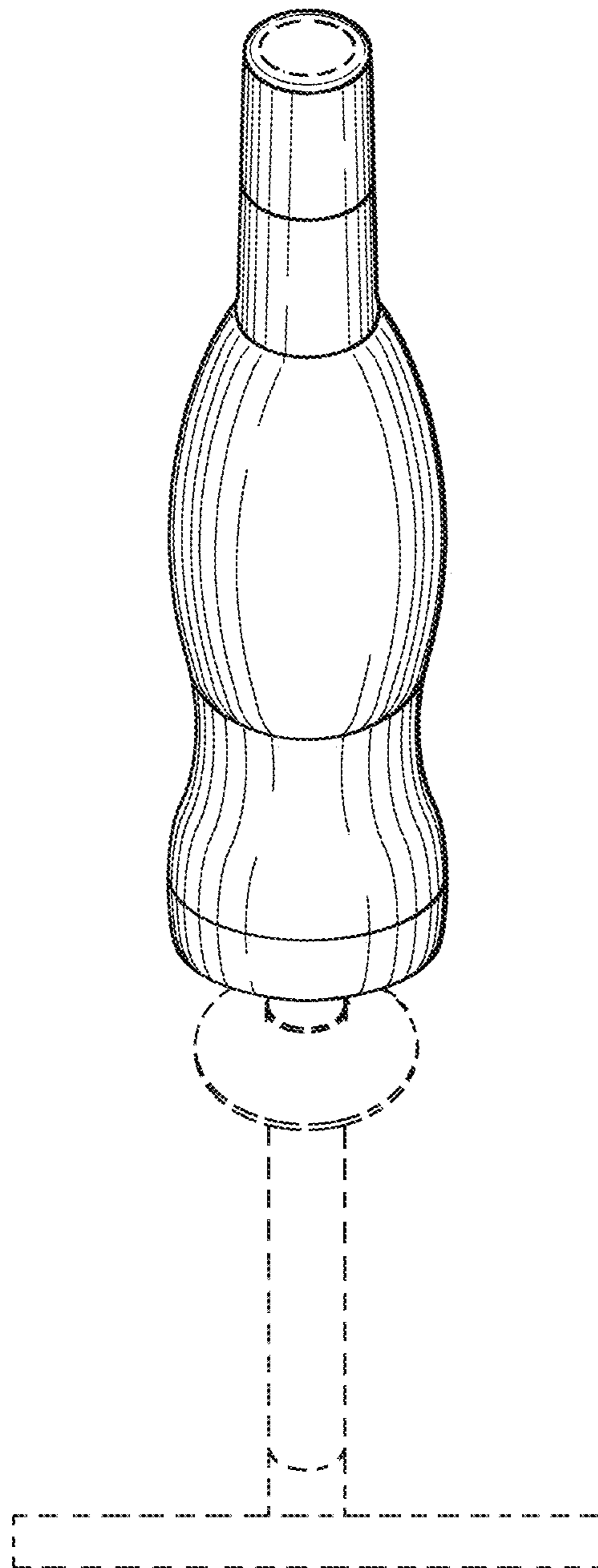


Fig. 5

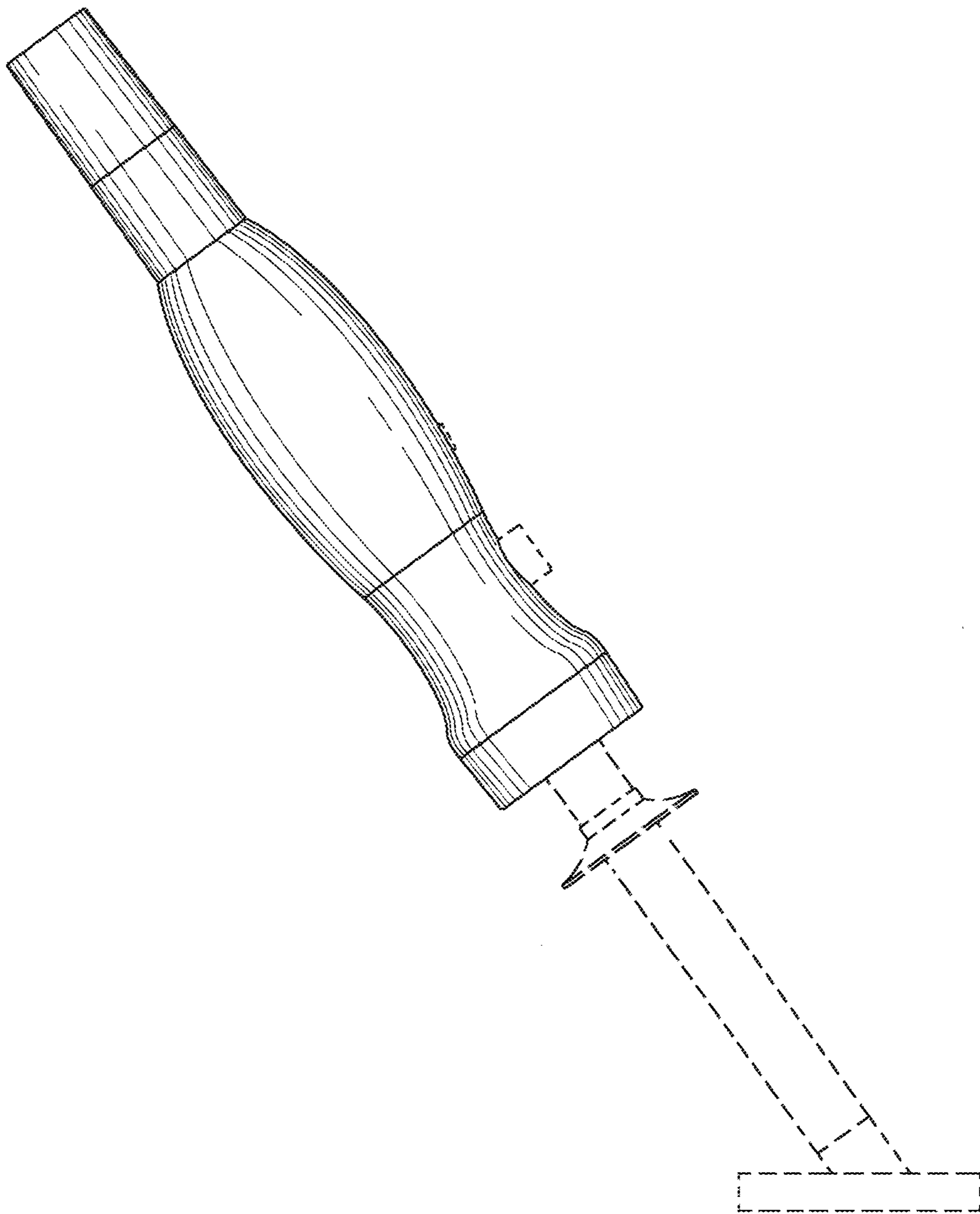


Fig. 6

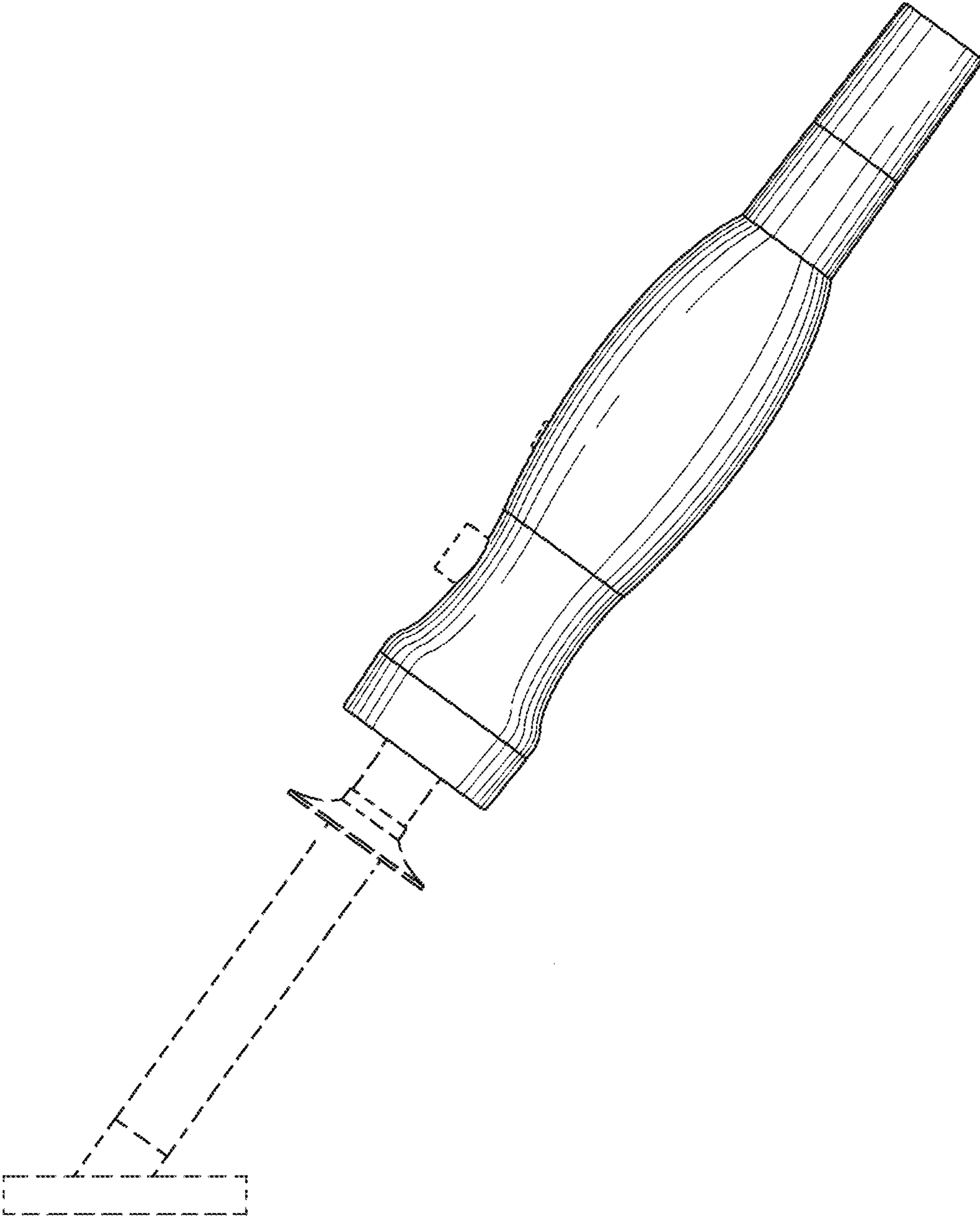


Fig. 7