



US00D904842S

(12) **United States Design Patent** (10) **Patent No.:** **US D904,842 S**  
**Hsieh** (45) **Date of Patent:** **\*\* Dec. 15, 2020**

(54) **SOCKET CLIP**  
(71) Applicant: **Chih-Chien Hsieh**, Taichung (TW)  
(72) Inventor: **Chih-Chien Hsieh**, Taichung (TW)  
(\*\*) Term: **15 Years**  
(21) Appl. No.: **29/687,710**  
(22) Filed: **Apr. 15, 2019**  
(51) **LOC (12) Cl.** ..... **08-05**  
(52) **U.S. Cl.**  
USPC ..... **D8/29**  
(58) **Field of Classification Search**  
USPC ..... D8/29, 22, 24, 25, 26, 36, 14, 71, 72,  
D8/349, 354, 355, 371, 380, 381, 382,  
D8/394, 396, 499  
CPC . B25B 1/00; B25B 19/00; B25B 27/00; F16B  
2/12; F16B 2/065; F16B 7/00; F16B  
7/04; F16B 7/0446; F16B 7/0486; F16L  
3/02; F16L 3/10; F16L 3/1016; F16L  
3/1091; F16M 13/022; H01Q 1/12; H01Q  
1/1207; H01Q 1/1228; H01Q 1/125  
See application file for complete search history.

(56) **References Cited**  
U.S. PATENT DOCUMENTS  
D334,815 S \* 4/1993 Bunger ..... D21/501  
D400,428 S \* 11/1998 Sabounjian ..... D8/382  
D483,237 S \* 12/2003 Matney ..... D8/14  
D504,304 S \* 4/2005 Hancock ..... D12/223  
D524,613 S \* 7/2006 Chen ..... D8/21  
D524,615 S \* 7/2006 Albertson ..... D8/29  
D550,049 S \* 9/2007 Peng ..... D8/29  
D625,984 S \* 10/2010 McGrath ..... D8/355  
D679,143 S \* 4/2013 Wegzyn ..... D7/515  
D709,343 S \* 7/2014 Huang ..... D8/29  
D719,820 S \* 12/2014 McGrath ..... D8/382  
D720,608 S \* 1/2015 Yamaguchi ..... D8/382  
D742,720 S \* 11/2015 Perry ..... D8/349

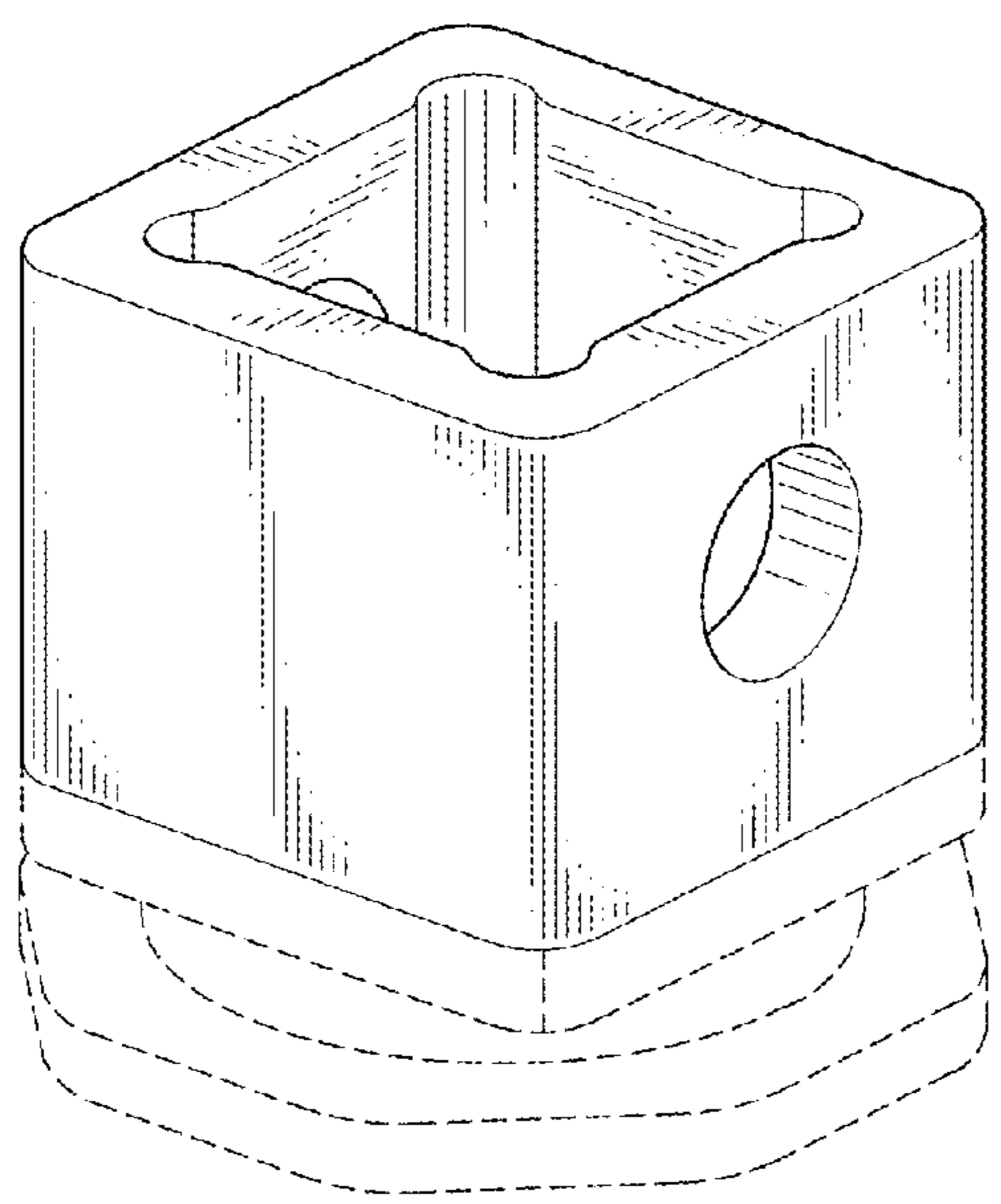
D756,180 S \* 5/2016 Chen ..... D8/25  
D758,838 S \* 6/2016 Symons ..... D8/383  
D789,622 S \* 6/2017 Kellogg ..... D30/160  
D801,795 S \* 11/2017 Huang ..... D8/382  
D821,835 S \* 7/2018 Arndt ..... D8/29  
D822,293 S \* 7/2018 Ting ..... D30/160  
D832,068 S \* 10/2018 Liu ..... D8/29  
D835,483 S \* 12/2018 Liu ..... D8/29  
D853,665 S \* 7/2019 Itzhak-Sigron ..... D30/160  
D858,910 S \* 9/2019 Itzhak-Sigron ..... D30/160  
D859,129 S \* 9/2019 Park ..... D8/354  
(Continued)

*Primary Examiner* — Mark A Goodwin  
*Assistant Examiner* — Benjamin M Weeks  
(74) *Attorney, Agent, or Firm* — Egbert Law Offices,  
PLLC

(57) **CLAIM**  
The ornamental design for a socket clip, as shown and  
described.

**DESCRIPTION**  
FIG. 1 is a perspective view of a socket clip showing my  
new design;  
FIG. 2 is a front view thereof;  
FIG. 3 is a rear view thereof;  
FIG. 4 is a side view thereof;  
FIG. 5 is an opposite side view thereof;  
FIG. 6 is a top plan view thereof;  
FIG. 7 is a bottom plan view thereof;  
FIG. 8 is a cross-sectional view of lines 8-8 shown in FIG.  
2 thereof; and,  
FIG. 9 illustrates socket clips of the present design in a  
condition of use.  
The features presented in broken lines represent environ-  
mental structure and unclaimed portions of the socket clip  
and form no part of the claimed design. The double S shaped  
broken line shown in FIG. 9 represents indeterminate length  
and forms no part of the claimed design.

**1 Claim, 6 Drawing Sheets**



(56)

**References Cited**

U.S. PATENT DOCUMENTS

D860,025	S	*	9/2019	Illouz .....	D10/106.2
D862,203	S	*	10/2019	Beagen .....	D8/354
D866,293	S	*	11/2019	Gibb .....	D8/349
D882,879	S	*	4/2020	Lara .....	D30/118
D885,867	S	*	6/2020	Chapman .....	D8/349
D887,233	S	*	6/2020	Kukucka .....	D8/29
2012/0009013	A1	*	1/2012	Evitt .....	E04B 1/5831 403/349

\* cited by examiner

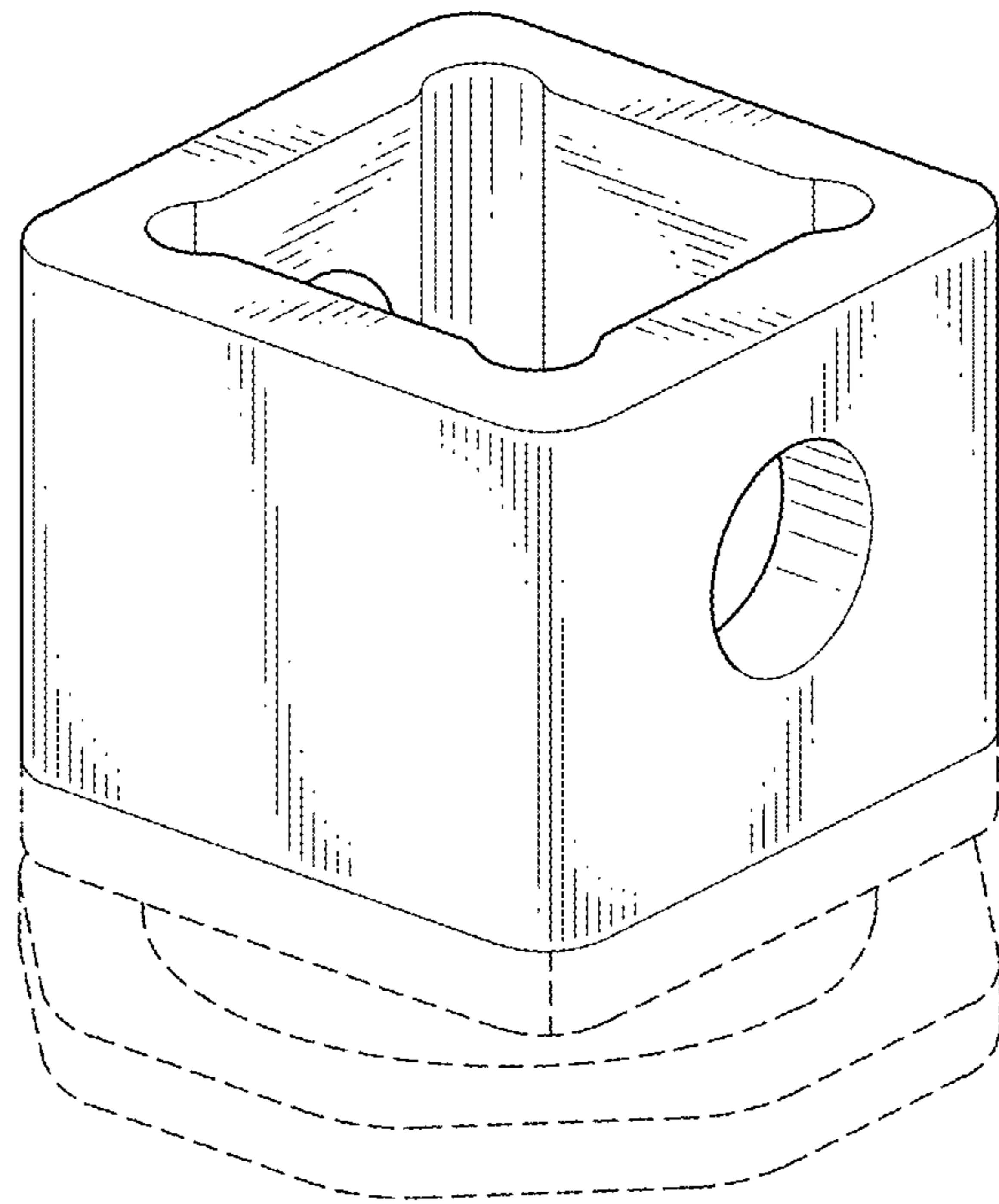


FIG. 1

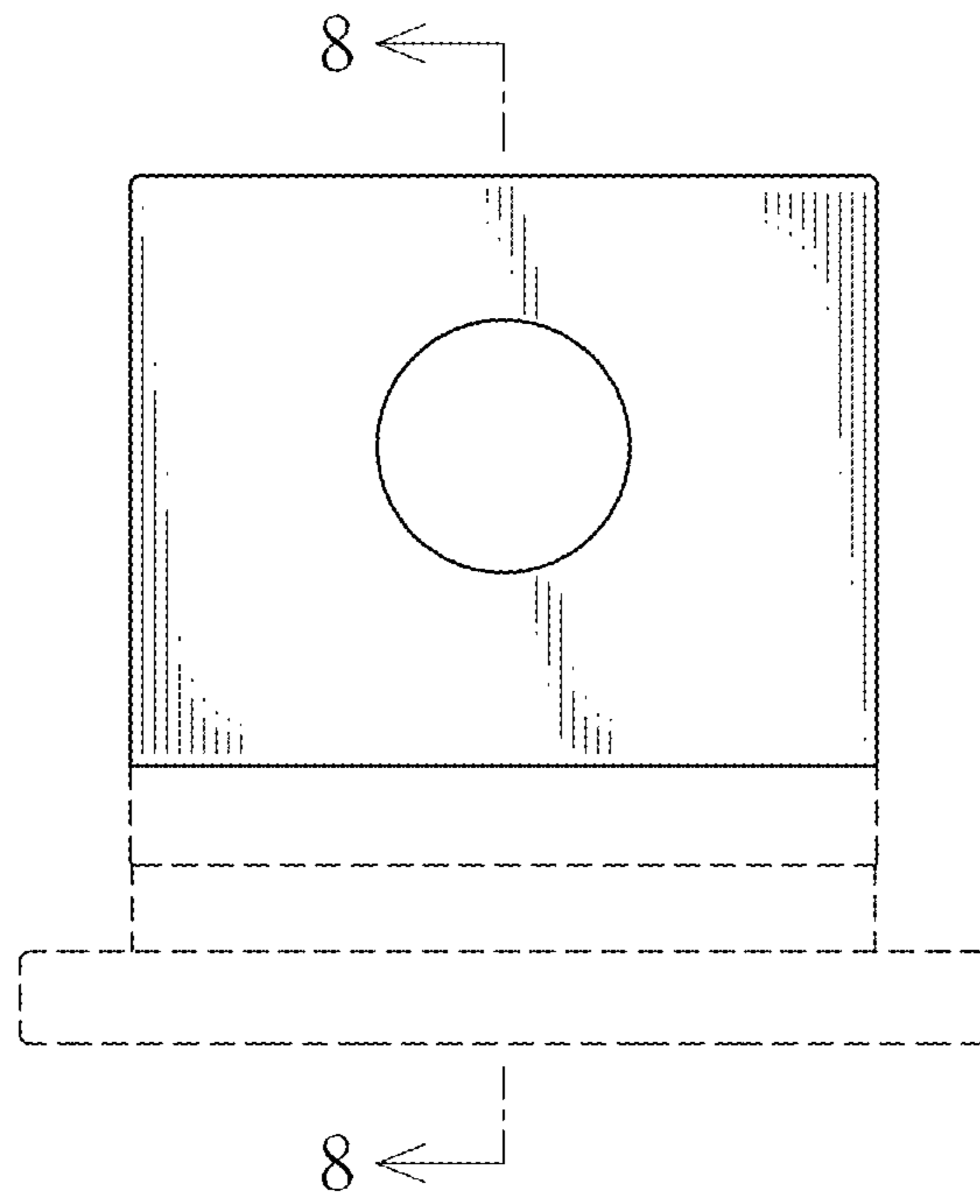


FIG. 2

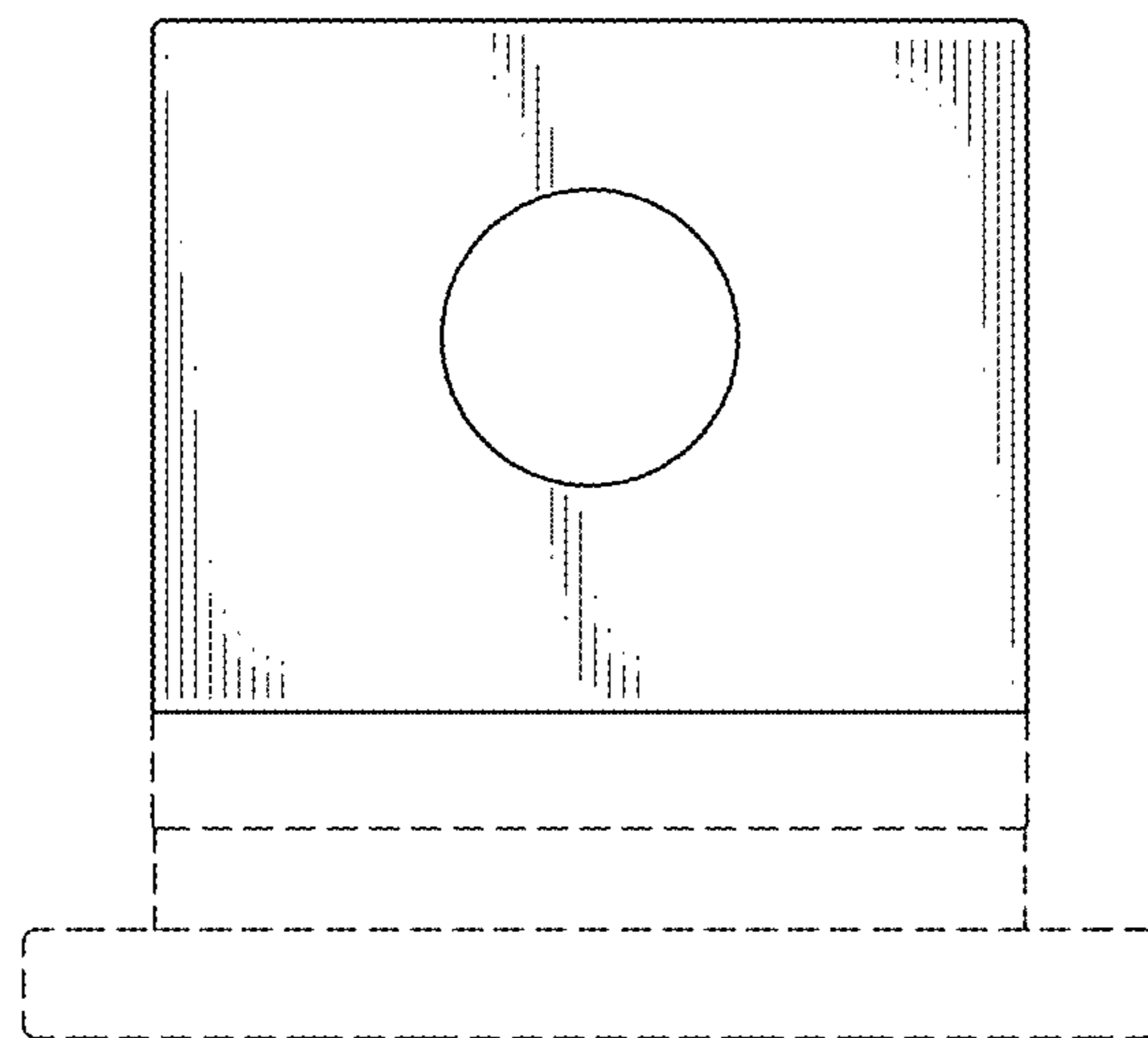


FIG. 3

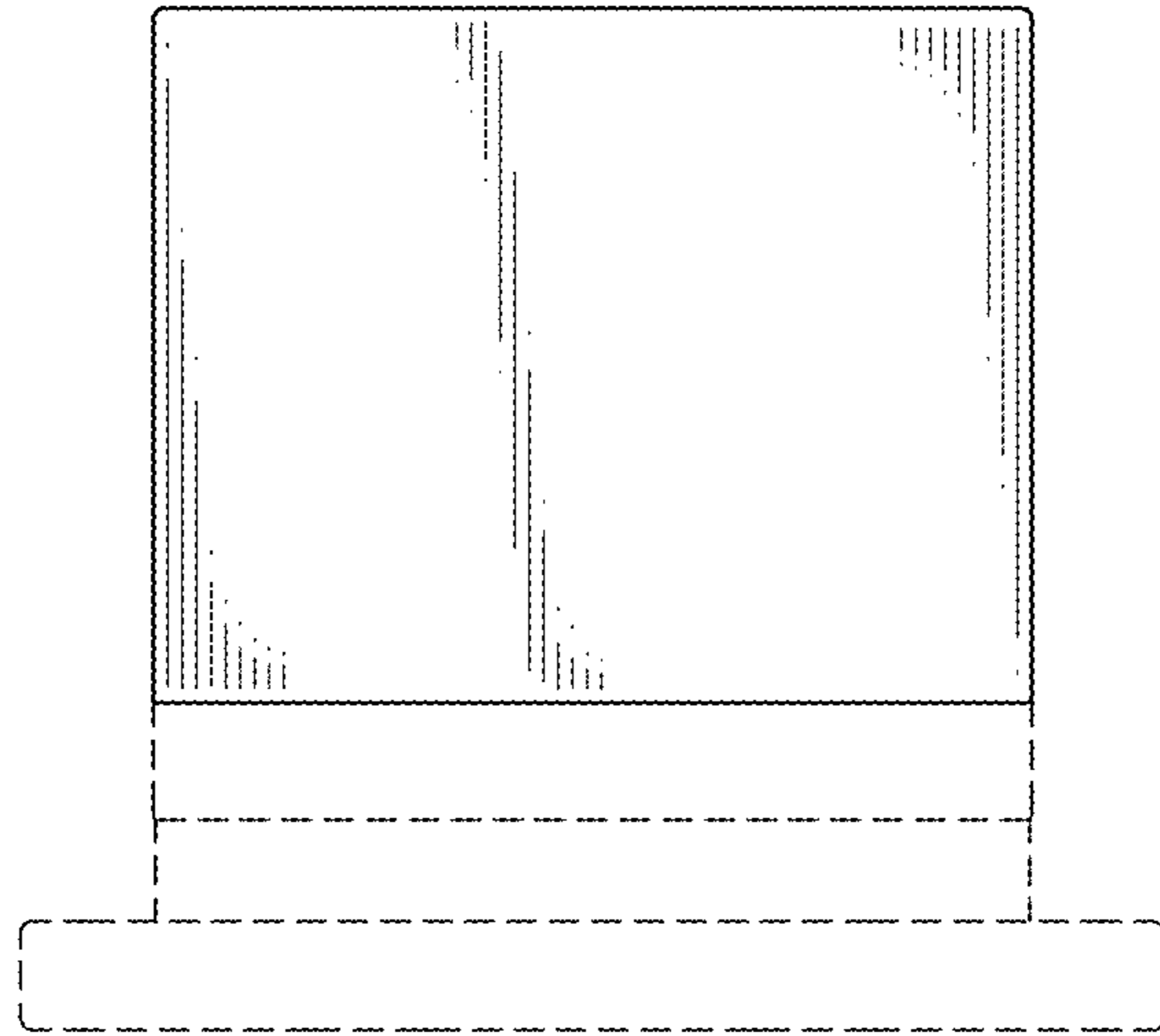


FIG. 4

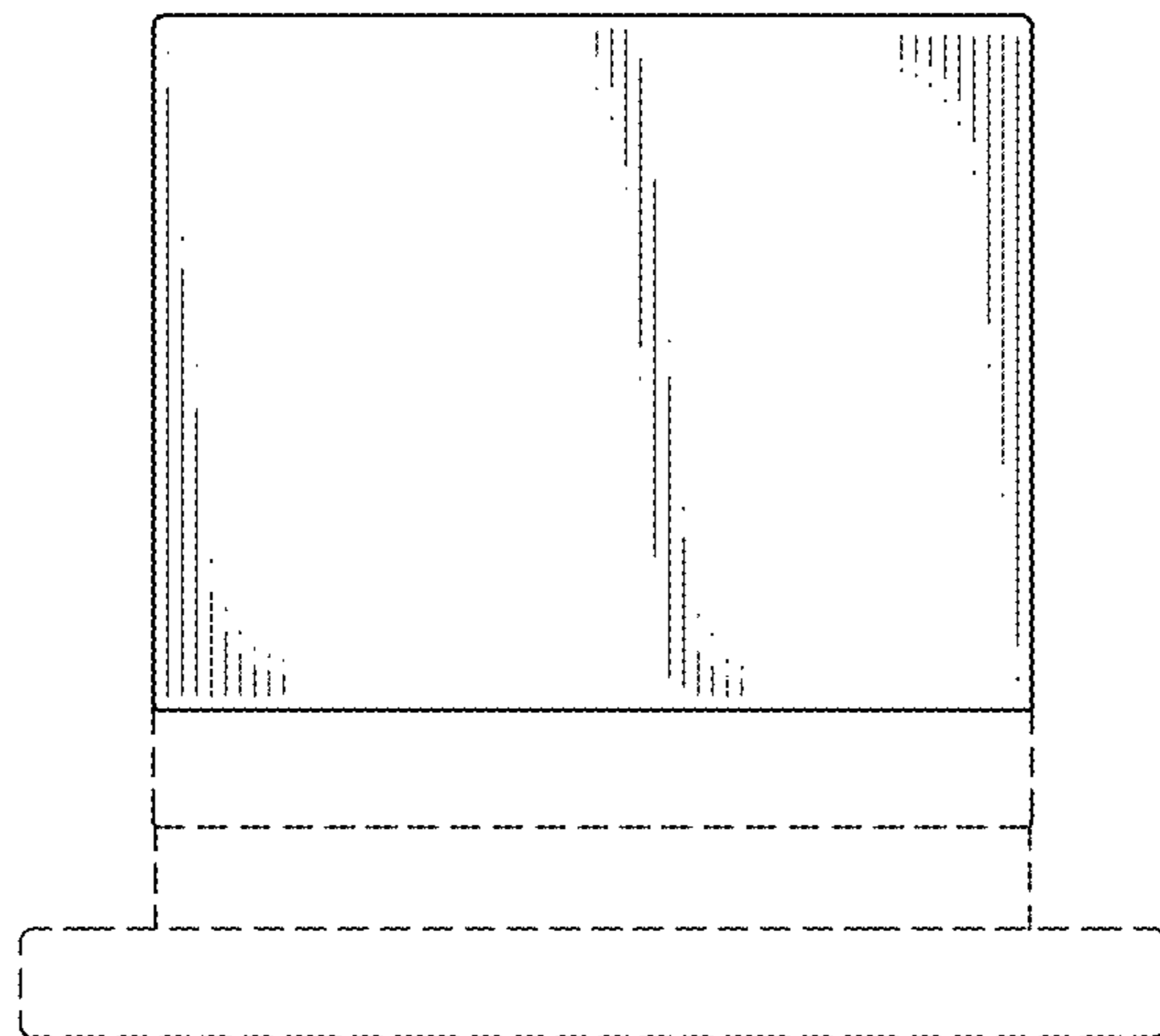


FIG. 5

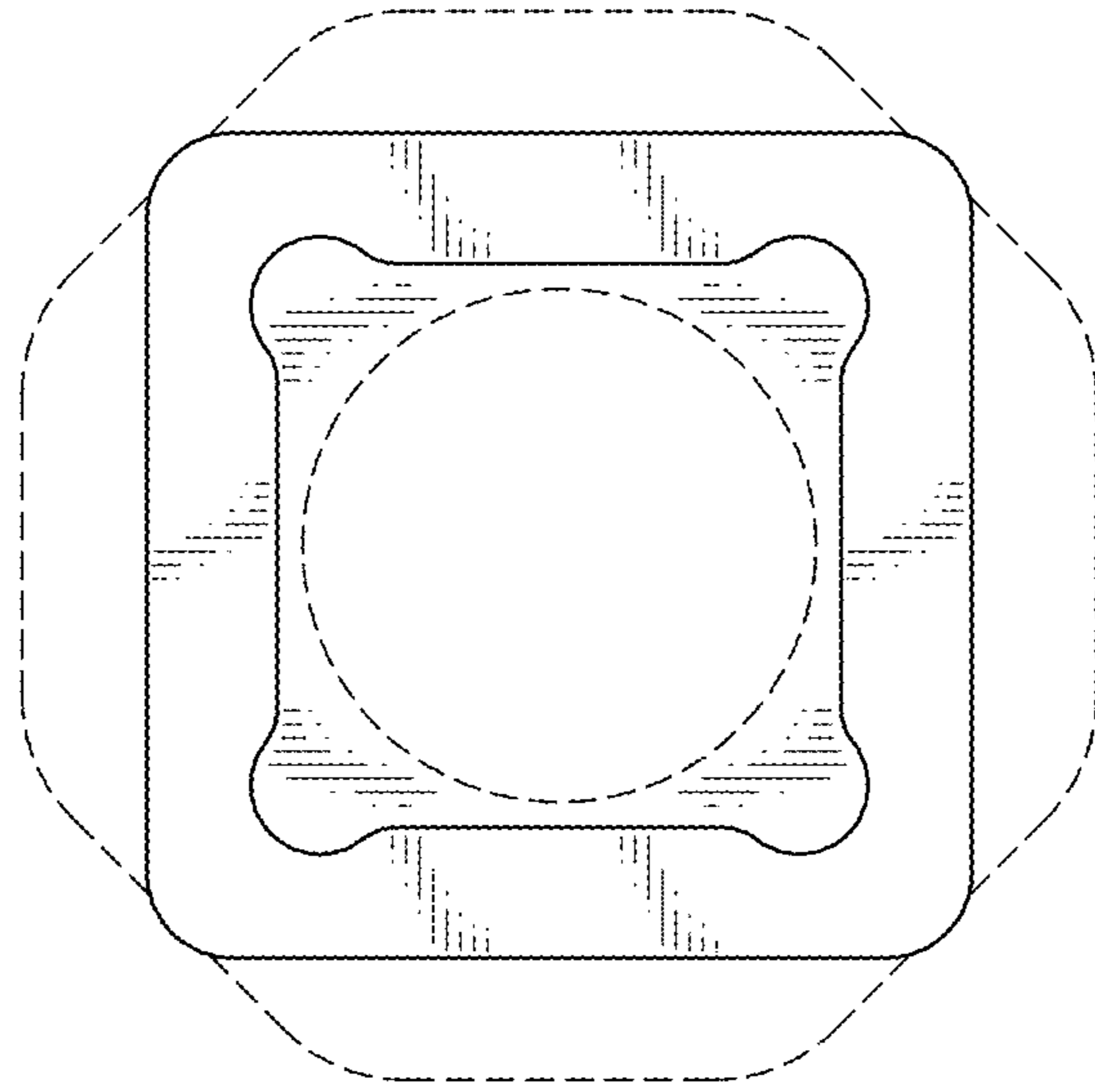


FIG. 6

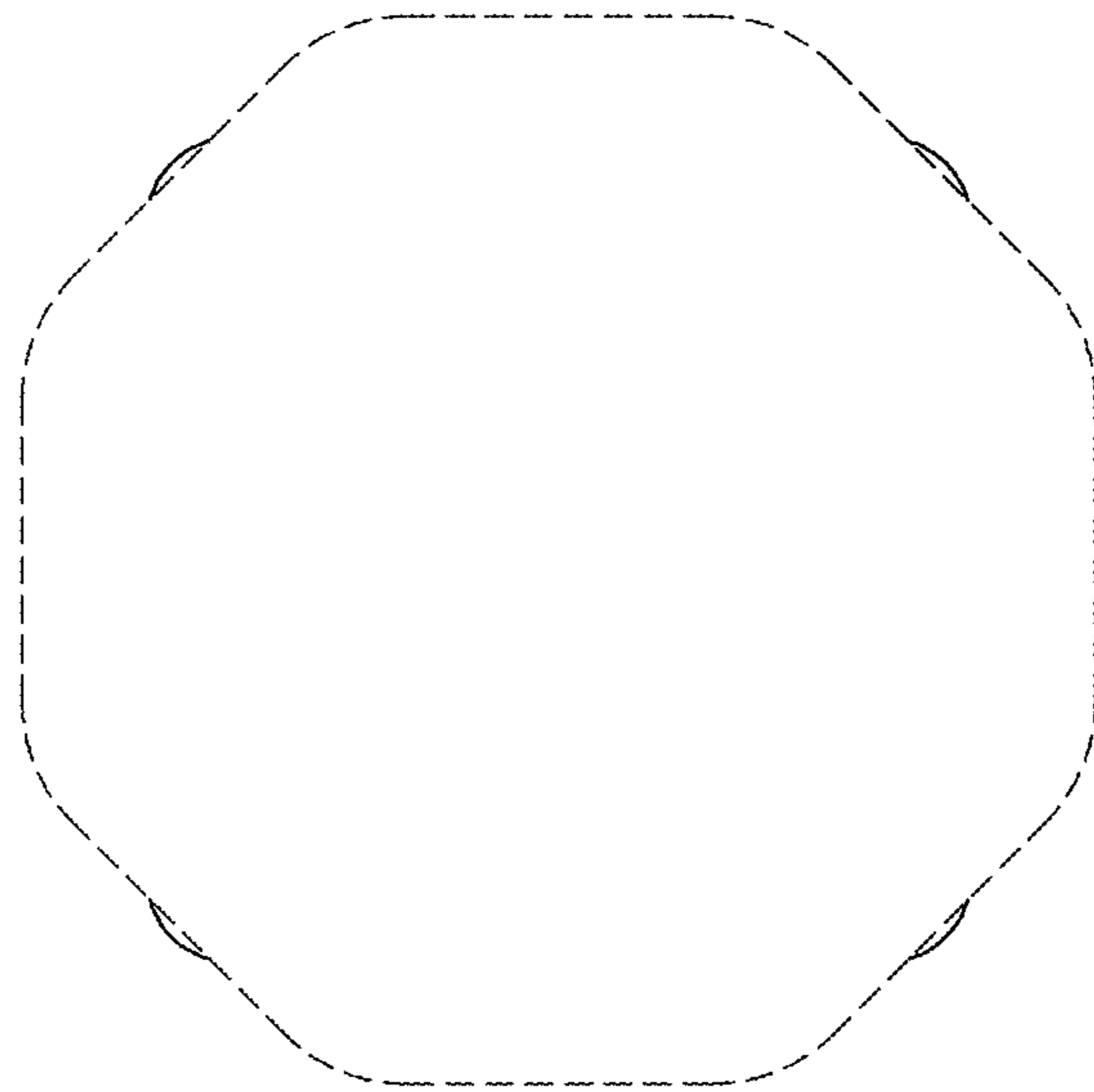


FIG. 7

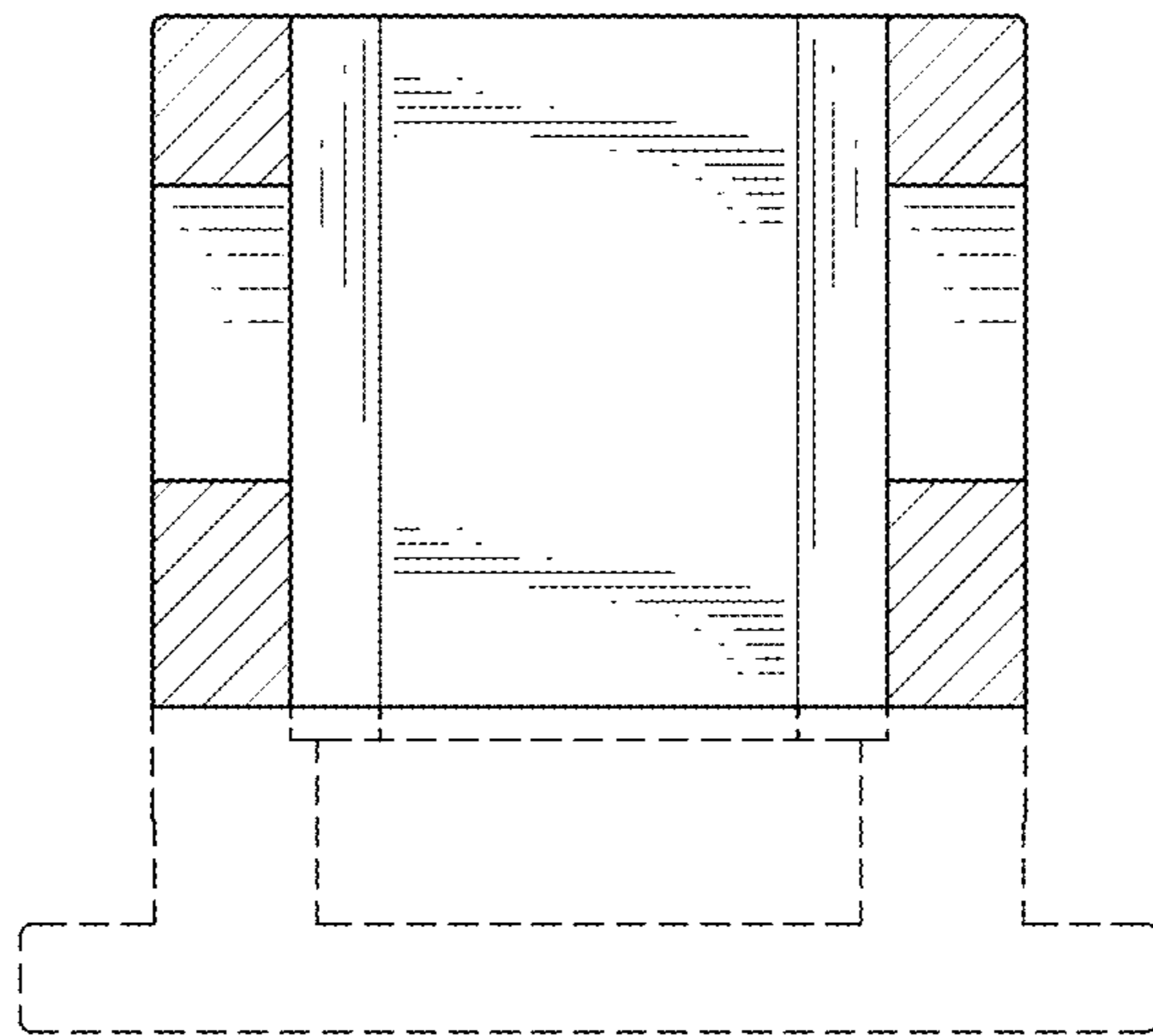


FIG. 8

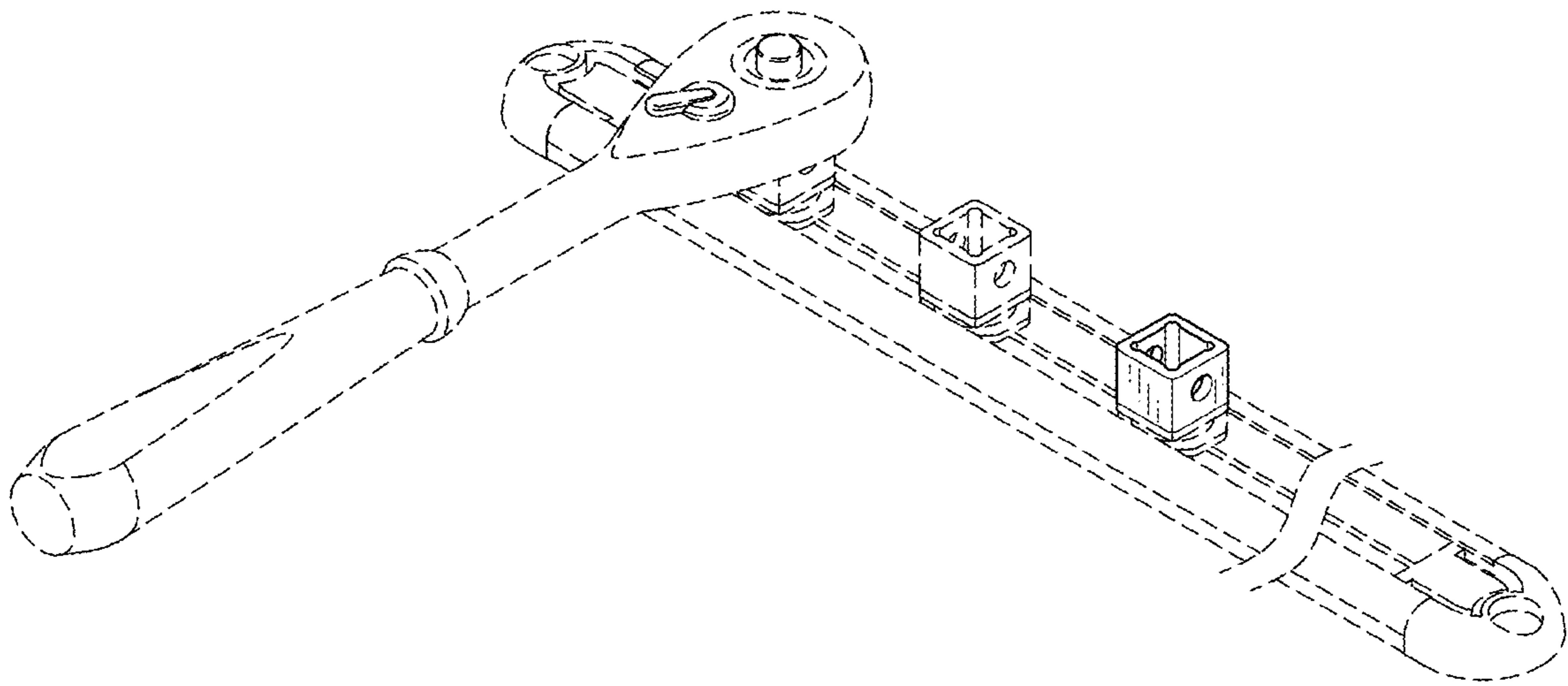


FIG. 9