



US00D904839S

(12) **United States Design Patent** (10) **Patent No.:** **US D904,839 S**
Browne et al. (45) **Date of Patent:** **** Dec. 15, 2020**

(54) **REACHING TOOL**
(71) Applicant: **Otis Elevator Company**, Farmington, CT (US)
(72) Inventors: **Benjamin Alan Browne**, Stuart, FL (US); **Robert Rodriguez**, Phoenix, AZ (US); **Paul Hegele**, Grand Rapids, MI (US)

2,868,051 A 1/1959 Dupre et al.
3,182,960 A 5/1965 French
3,473,837 A 10/1969 Goodman
3,474,833 A 10/1969 Garrette, Jr. et al.
3,863,145 A 1/1975 Kelly et al.
4,004,834 A 1/1977 Podpaly
4,047,821 A 9/1977 Hoke et al.

(Continued)

FOREIGN PATENT DOCUMENTS

(73) Assignee: **OTIS ELEVATOR COMPANY**, Farmington, CT (US)

CN 104989932 A 10/2015
DE 20005517 U1 2/2001
GB 2412346 A 9/2005

(**) Term: **15 Years**

OTHER PUBLICATIONS

(21) Appl. No.: **29/701,266**

European Patent Office, Extended European Search Report, Application No. 18201243.5-1019, dated Mar. 29, 2019 (9 pp.).

(22) Filed: **Aug. 9, 2019**

(Continued)

Related U.S. Application Data

(62) Division of application No. 29/622,915, filed on Oct. 20, 2017, now Pat. No. Des. 862,183.

Primary Examiner — Philip S Hyder

(51) **LOC (12) Cl.** **08-03**

(74) *Attorney, Agent, or Firm* — Cantor Colburn LLP

(52) **U.S. Cl.**

(57) **CLAIM**

USPC **D8/14**

We claim, the ornamental design for a reaching tool, as shown and described.

(58) **Field of Classification Search**

DESCRIPTION

USPC D8/14, 51, 367, 394
CPC ... A47G 33/10; B25G 1/04; F21S 4/10; F21V 19/04; F21V 21/08

See application file for complete search history.

FIG. 1 is a perspective view of reaching tool, showing our new design;

(56) **References Cited**

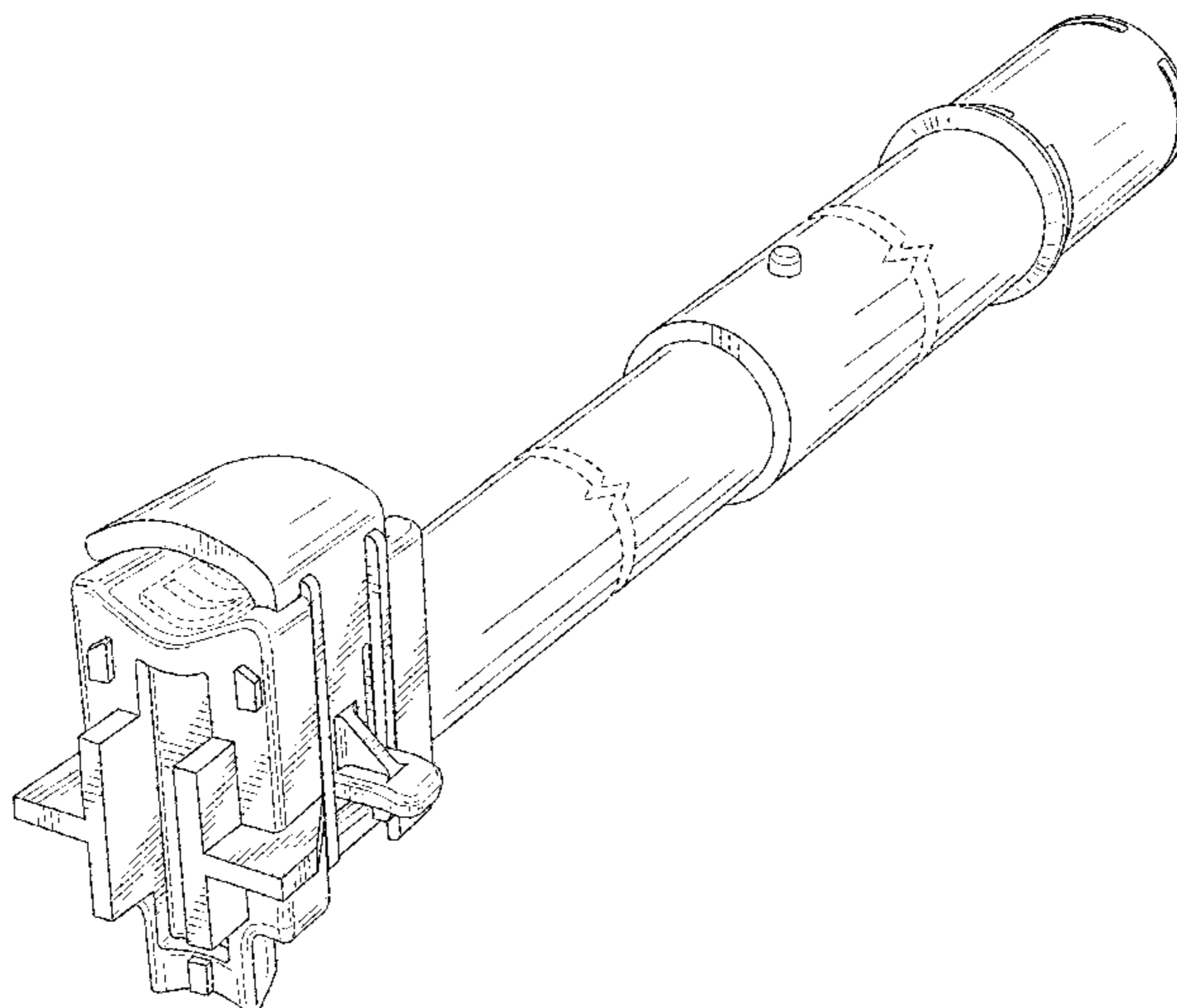
U.S. PATENT DOCUMENTS

D28,940 S 6/1898 Miller
854,578 A 5/1907 Heath
942,490 A 12/1909 Dunn
1,724,435 A 8/1929 Studwell
1,741,970 A 12/1929 Bodendieck
1,744,356 A 1/1930 Bodendieck
1,920,168 A 8/1933 Bodendieck
2,291,593 A 7/1942 Hubbard
2,316,204 A 4/1943 Williams
2,538,006 A 1/1951 Keppler

FIG. 2 is another perspective view thereof;
FIG. 3 is a side elevation view thereof;
FIG. 4 is another side elevation view thereof;
FIG. 5 is a top plan view thereof;
FIG. 6 is a bottom plan view thereof;
FIG. 7 is a front elevation view thereof; and,
FIG. 8 is a rear elevation view thereof.

The broken-line disclosure depicts portions of the reaching tool in which the design is embodied that are not considered part of the claimed design.

1 Claim, 5 Drawing Sheets



(56)

References Cited

U.S. PATENT DOCUMENTS

4,079,978 A 3/1978 McMullin
 D248,209 S 6/1978 Holleman
 4,132,441 A 1/1979 Watkins
 4,246,436 A 1/1981 Hoffman et al.
 4,470,328 A 9/1984 Landis
 4,911,039 A 3/1990 Lubbock et al.
 5,171,052 A 12/1992 Cunningham
 5,299,464 A 4/1994 Bennett
 D368,748 S 4/1996 Kellersohn
 5,593,196 A 1/1997 Baum et al.
 5,730,033 A 3/1998 Mitrowski
 D396,392 S 7/1998 Moskalik
 6,283,519 B1 9/2001 Dutton et al.
 6,450,557 B1 9/2002 Martinez
 6,473,953 B1 11/2002 Portnoff
 6,725,745 B1 4/2004 Palmieri
 D497,086 S 10/2004 Lopes
 D500,433 S 1/2005 Klaas
 D505,052 S 5/2005 Dinh
 D522,326 S 6/2006 Chance et al.
 7,478,851 B2 1/2009 Geller
 D605,912 S 12/2009 Gonzalez
 7,721,459 B2 5/2010 Niles
 7,909,376 B1 3/2011 McKinley
 7,984,665 B1 7/2011 Robertson
 8,056,445 B2 11/2011 Jackson, III

8,061,751 B2 11/2011 Hatcher
 D656,373 S 3/2012 Martin
 8,459,712 B2 6/2013 Thrasher
 8,752,877 B2 6/2014 Spindler et al.
 D711,706 S 8/2014 Votolato
 D719,423 S 12/2014 Rowe
 9,380,857 B2 7/2016 Davis
 D772,027 S 11/2016 Chi Man
 9,656,381 B2 5/2017 Niles et al.
 9,702,503 B2 7/2017 Man
 9,853,426 B2 12/2017 Hendricks
 2005/0034884 A1 2/2005 Lee
 2008/0265593 A1 10/2008 Woodworth
 2011/0101716 A1 5/2011 Nolte et al.
 2012/0284997 A1 11/2012 Morin et al.

OTHER PUBLICATIONS

J. Harlen, Co., Lineman Tool Supply, [online]; [retrieved on Oct. 11, 2017]; retrieved from the Internet <https://www.harlen.com/p-11928-blue-stripe-fiberglass-35ft-telescopic-measuring-stick.aspx>. J. Harlen Co., Lineman Tool Supply, "Blue Stripe Fiberglass 35Ft Telescopic Measuring Stick," J. Harlen Co., Aug. 7, 2017, pp. 1-5.
 Standard Electric Works Co., Ltd., [online]; [retrieved on Oct. 11, 2017]; retrieved from the Internet <http://www.sew.com.tw/front/bin/ptlist.phtml?Category=435515>. Standard Electric Works Co., Ltd., "SEW, Standard, TEST, Measuring Instruments, Telescopic Hot Stick, Test Lead, Mini Appliance Checker," Standard Electric Works, Aug. 7, 2017, pp. 1-1.

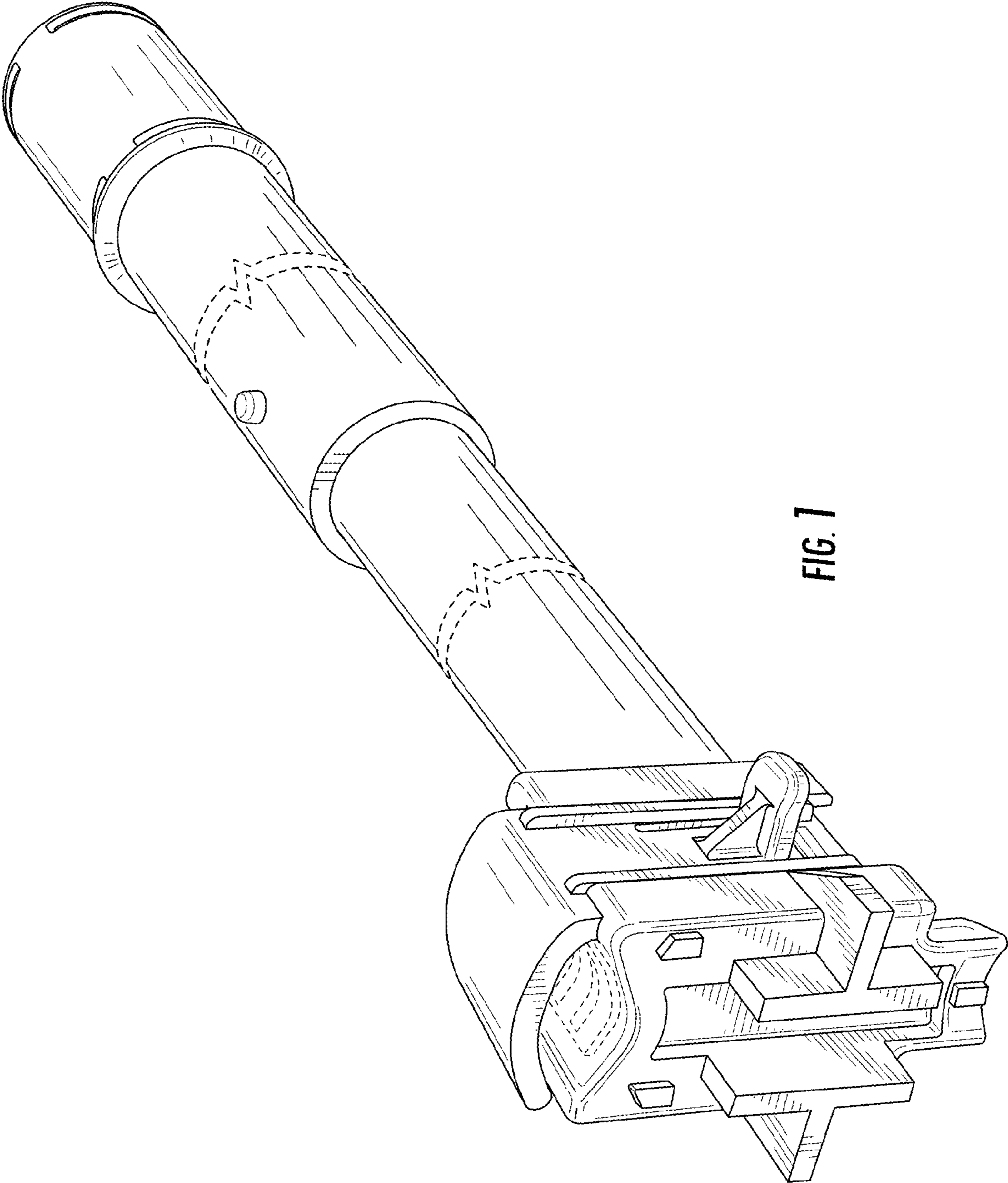


FIG. 7

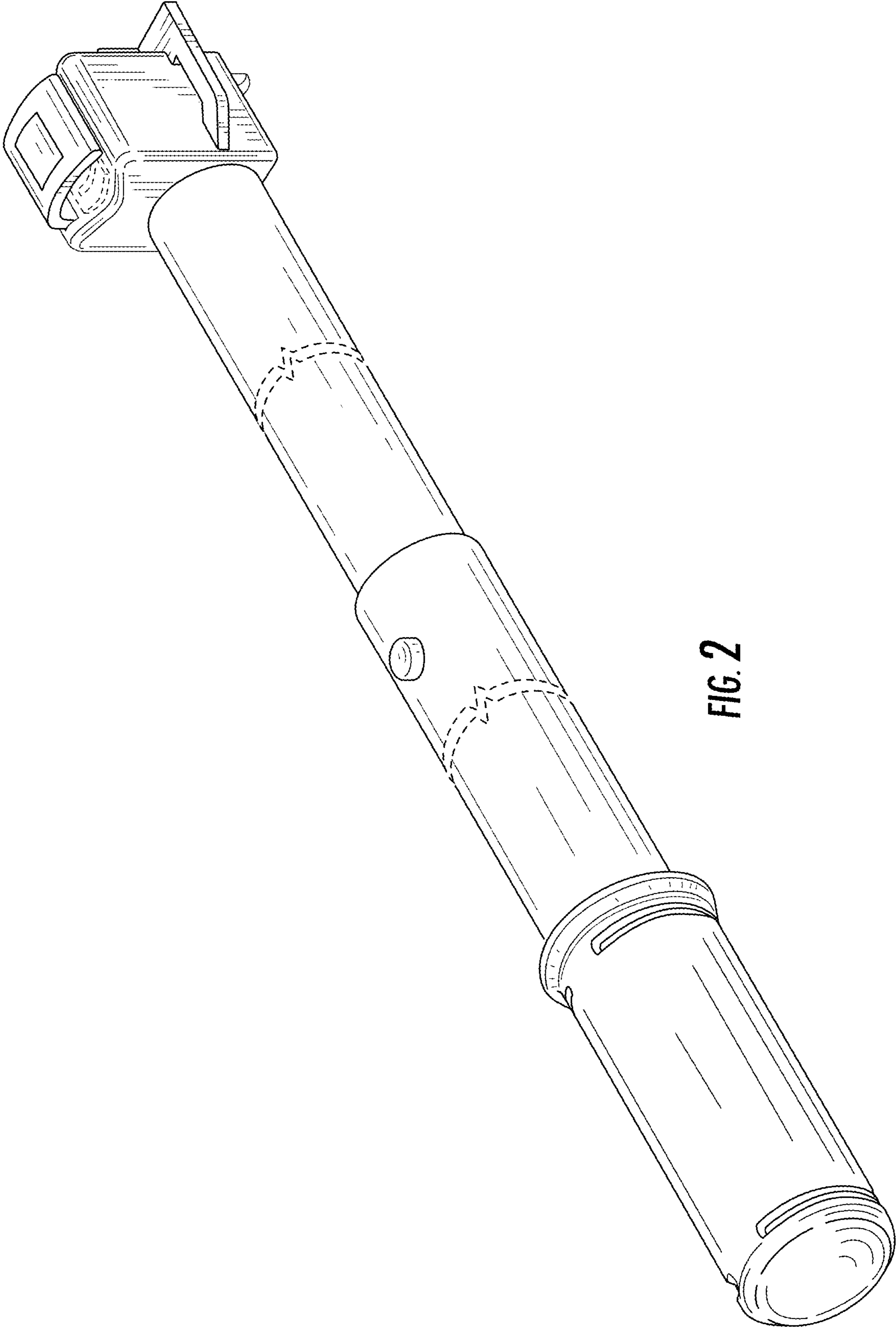


FIG. 2

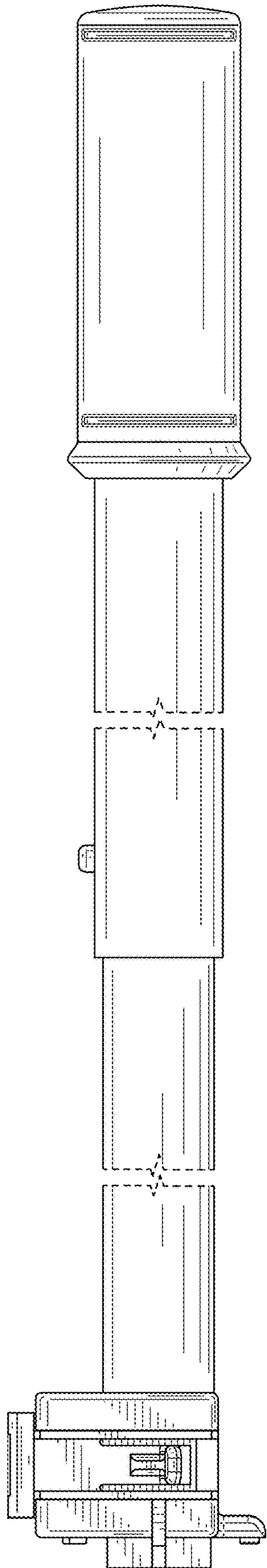


FIG. 3

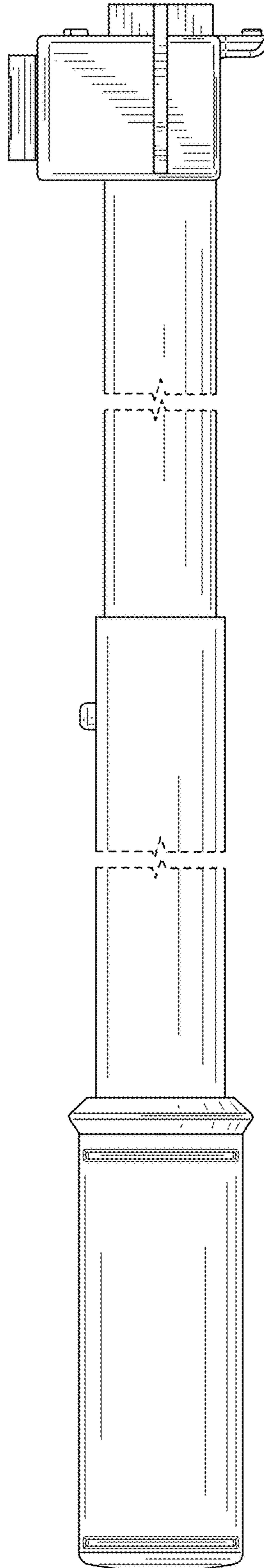
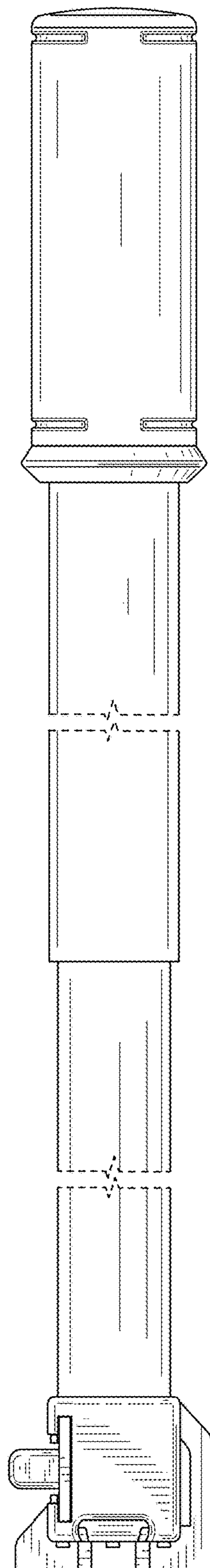
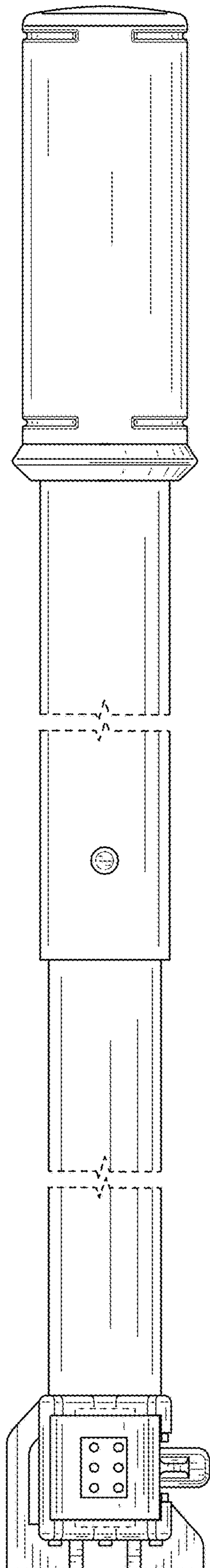


FIG. 4



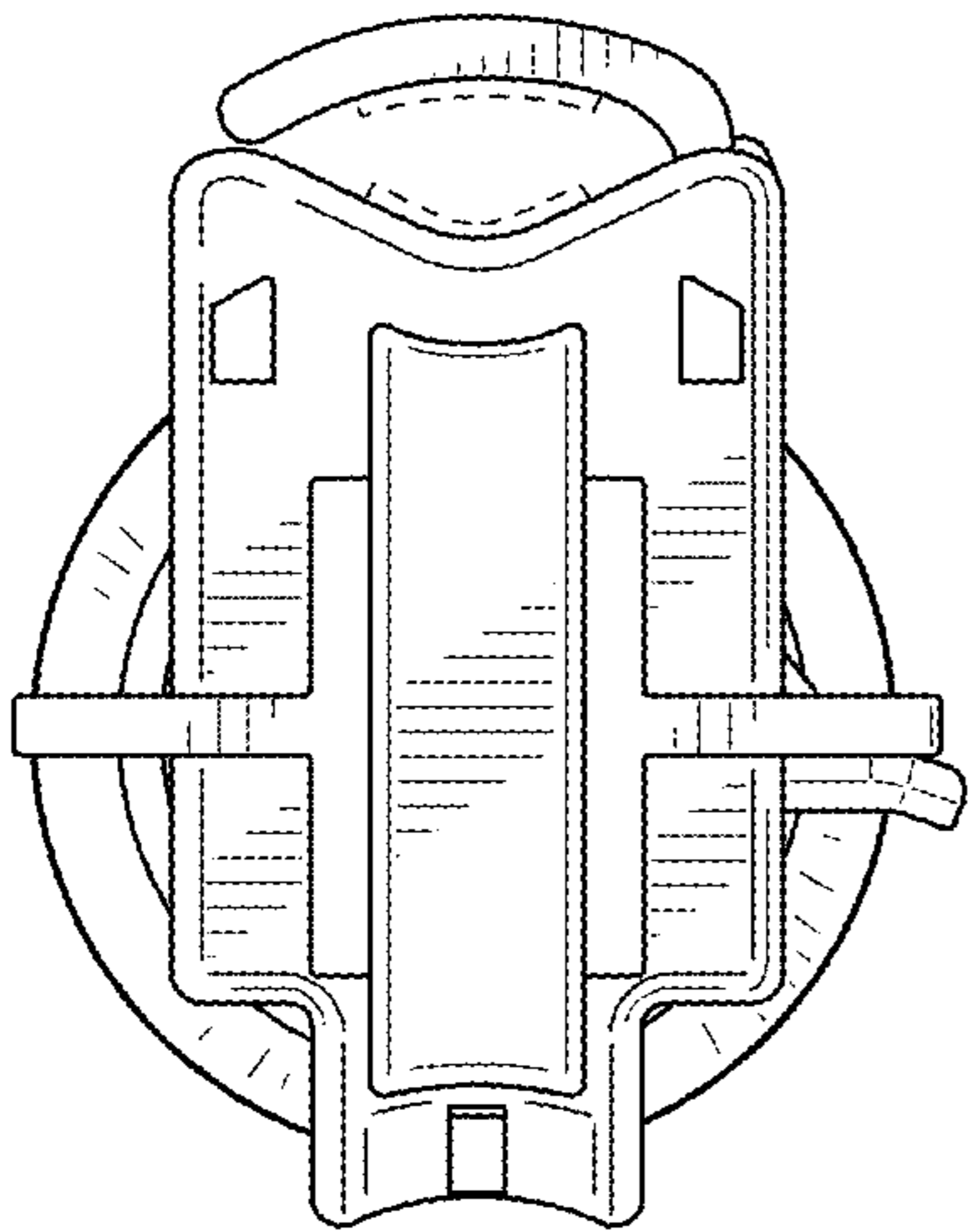


FIG. 7

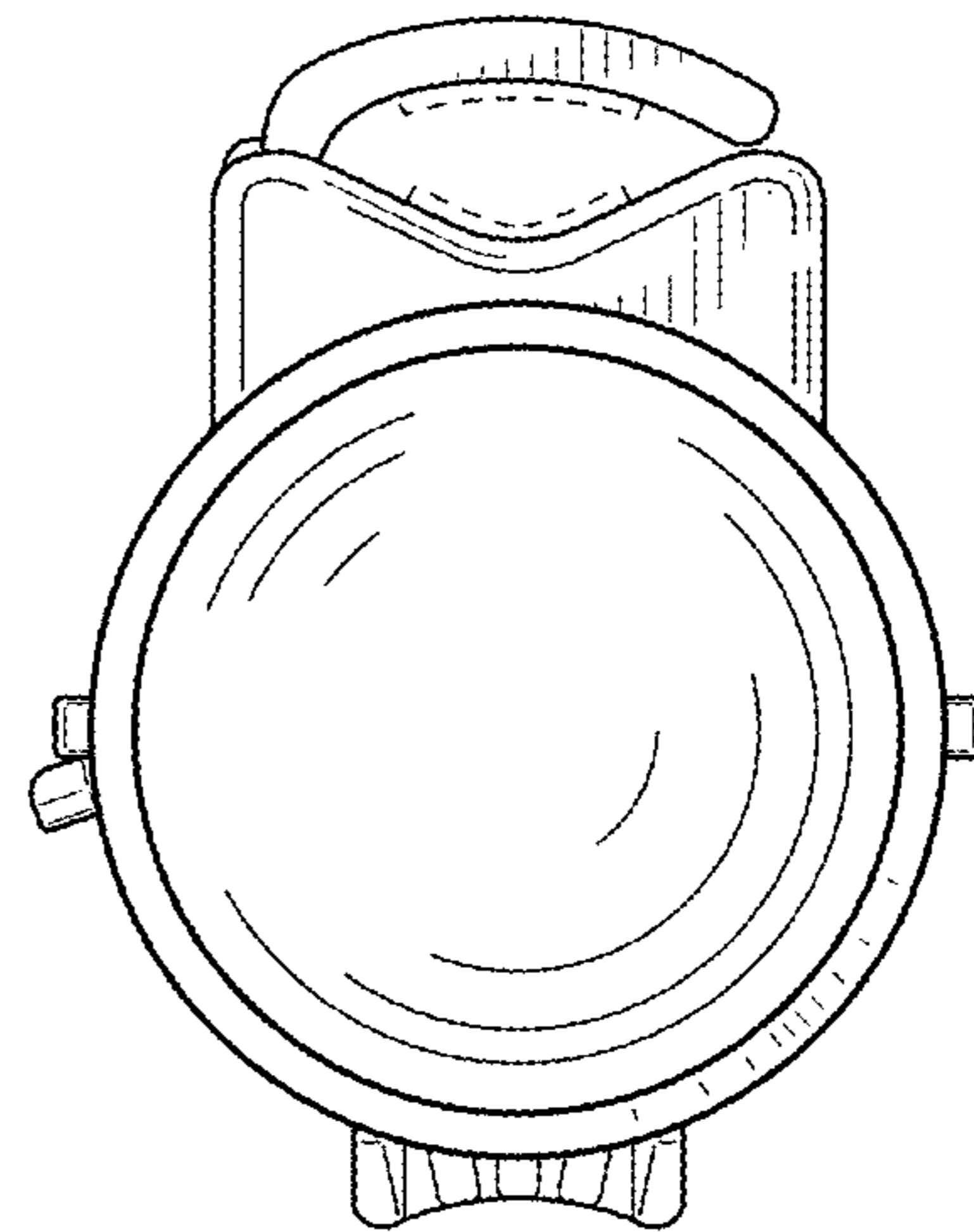


FIG. 8