



US00D904838S

(12) **United States Design Patent**  
**Gordon**

(10) **Patent No.:** **US D904,838 S**

(45) **Date of Patent:** **\*\* Dec. 15, 2020**

(54) **RAKING DEVICE**  
(71) Applicant: **Neptune Rake Ltd**, Glasgow (GB)  
(72) Inventor: **Calum Gordon**, Glasgow (GB)  
(73) Assignee: **Neptune Rake Limited**, Glasgow (GB)  
(\*\*) Term: **15 Years**

4,042,995 A \* 8/1977 Varon ..... A46B 3/005  
15/142  
4,768,331 A 9/1988 Jones  
6,748,728 B2 6/2004 Hay  
8,220,232 B1 \* 7/2012 Marvin ..... A01D 7/06  
56/8  
D807,717 S \* 1/2018 Tia ..... A46B 3/005  
D8/13  
D836,413 S \* 12/2018 Fragale ..... D8/13  
2012/0180713 A1 7/2012 Cornwell

(21) Appl. No.: **29/704,405**

\* cited by examiner

(22) Filed: **Sep. 4, 2019**

*Primary Examiner* — Sheryl Lane

(51) **LOC (12) Cl.** ..... **08-01**

*Assistant Examiner* — Calvin E Vansant

(52) **U.S. Cl.**

(74) *Attorney, Agent, or Firm* — Craft Chu PLLC;

USPC ..... **D8/13**

Andrew W. Chu

(58) **Field of Classification Search**

(57) **CLAIM**

USPC ..... D8/1, 7-13, 107, 499  
CPC .... A01B 1/04; A01B 1/02; A01B 1/12; A01B  
1/18; A01B 13/00; A01B 45/02; A01B  
45/023; A01B 45/026; A01D 34/412;  
A01D 34/416; A01G 3/00; A01G 3/053;  
A01G 3/062; A01G 3/0535; B25F 5/02

The ornamental design for a raking device, as shown and described.

See application file for complete search history.

**DESCRIPTION**

(56) **References Cited**

FIG. 1 is an upper perspective view of the raking device showing my design.

**U.S. PATENT DOCUMENTS**

2,635,911 A \* 4/1953 Szillage ..... A01B 1/16  
294/50  
2,770,056 A \* 11/1956 Hawkins ..... E02F 3/7604  
37/301  
3,132,364 A \* 5/1964 Oxley ..... E04H 4/1609  
15/1.7  
3,367,048 A \* 2/1968 Doughty ..... A01K 80/00  
37/316  
3,538,533 A \* 11/1970 Woods ..... A47L 11/4036  
15/236.09  
D223,696 S \* 5/1972 Roughsedge ..... A01B 1/16  
D8/13  
3,863,237 A 1/1975 Doerr  
D243,438 S \* 2/1977 Batley ..... A01K 80/00  
D8/16

FIG. 2 is front elevation view thereof;

FIG. 3 is a back elevation view thereof;

FIG. 4 is a side elevation view thereof;

FIG. 5 is an opposite side elevation view thereof;

FIG. 6 is a top plan view thereof;

FIG. 7 is a bottom plan view thereof;

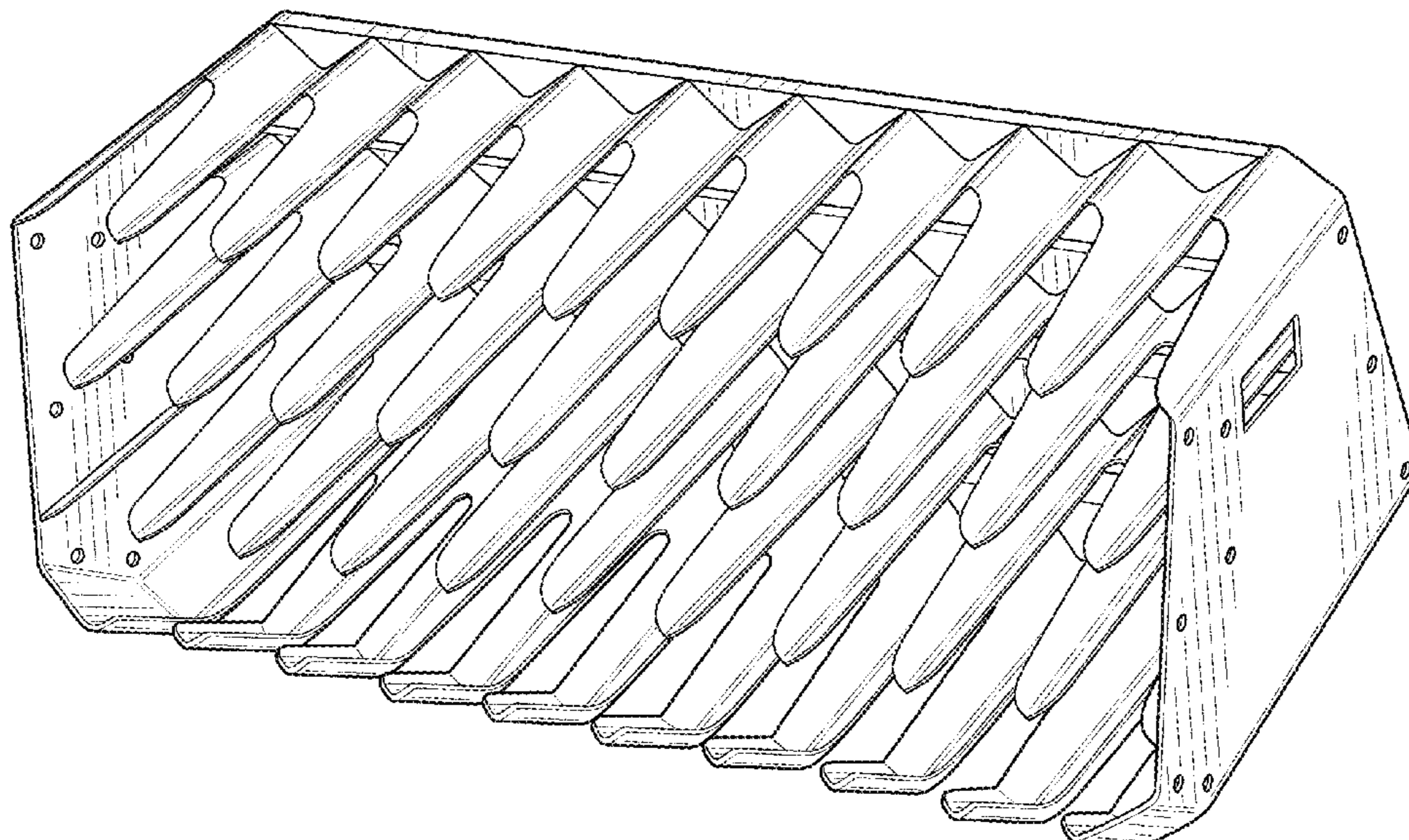
FIG. 8 is another upper perspective view thereof, showing another raking device in broken lines; and

FIG. 9 is a rear perspective view thereof, showing a guide rail in broken lines as attached to one side; and,

FIG. 10 is another rear perspective view thereof, showing another guide rail in broken lines as attached to another side.

The portions in broken lines indicate environment and form no part of the claimed design.

**1 Claim, 5 Drawing Sheets**



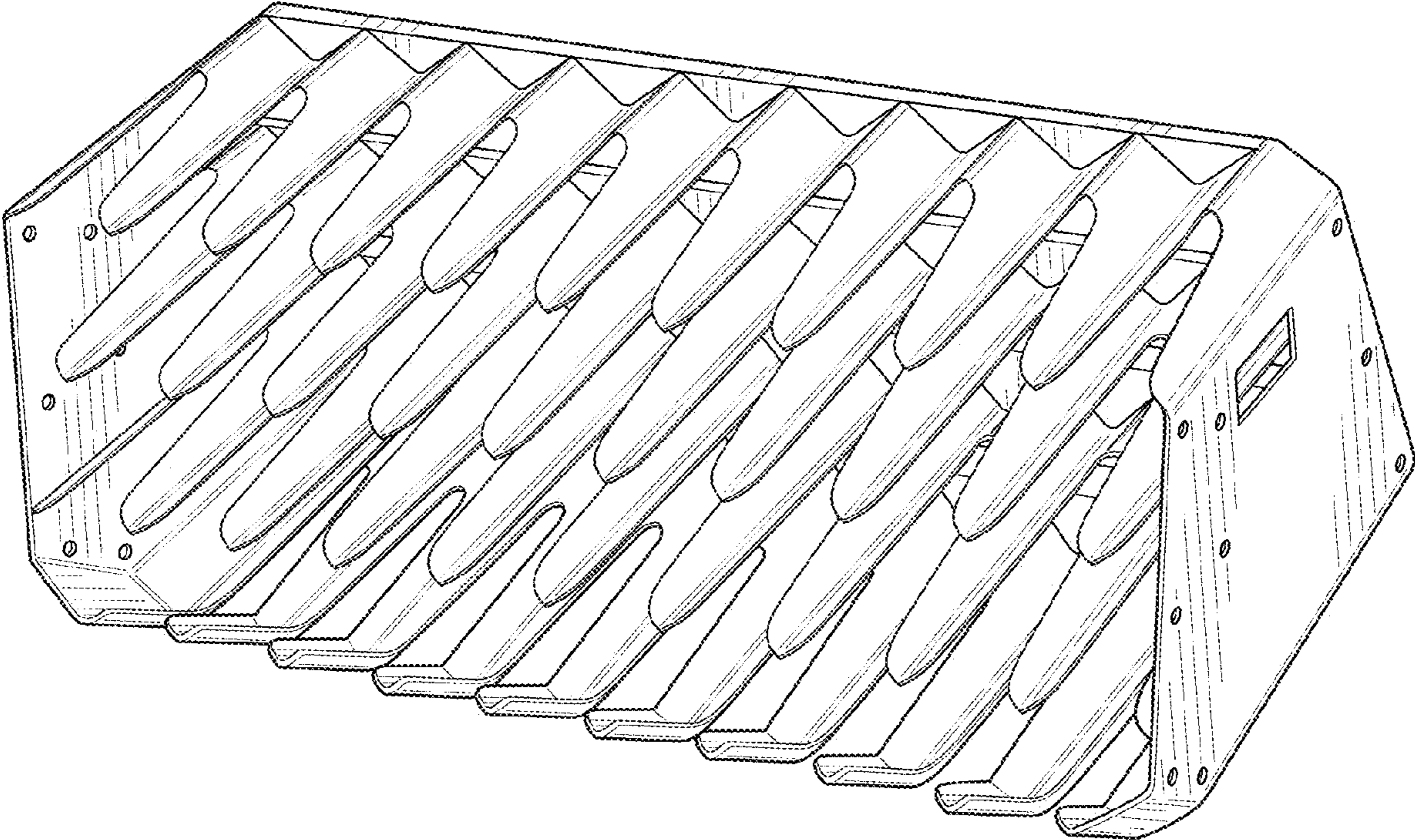


FIG. 1

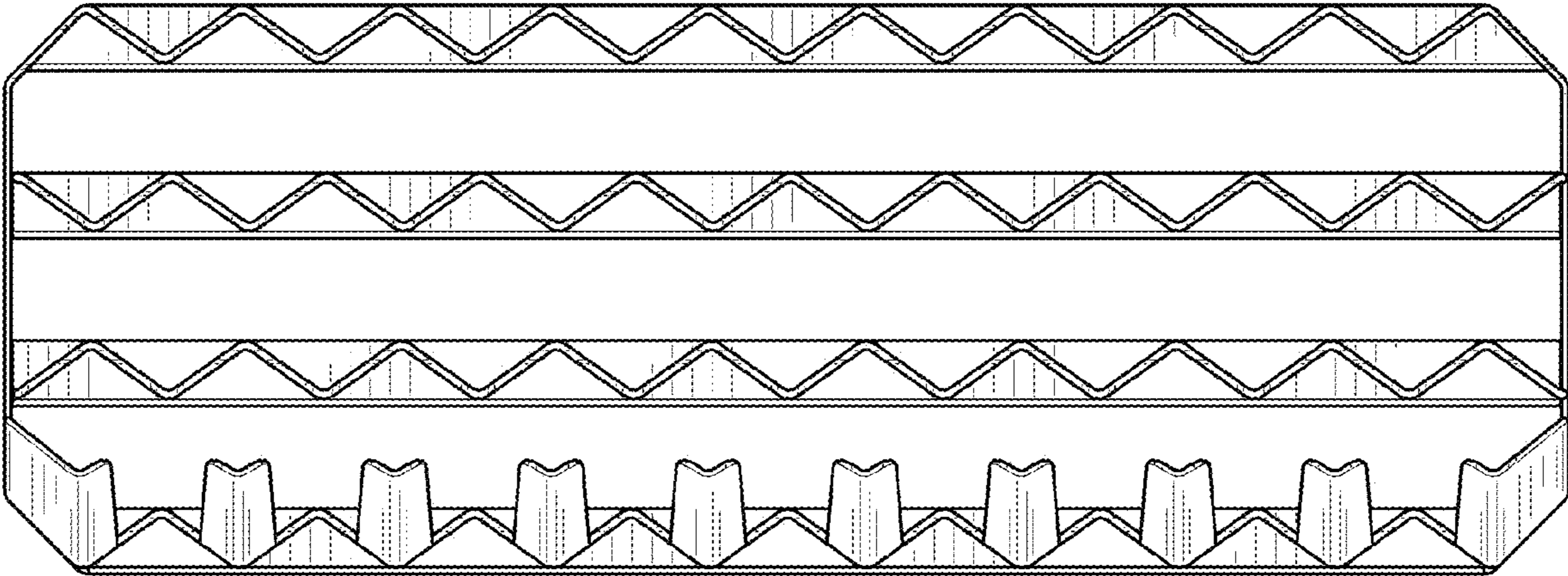


FIG. 2

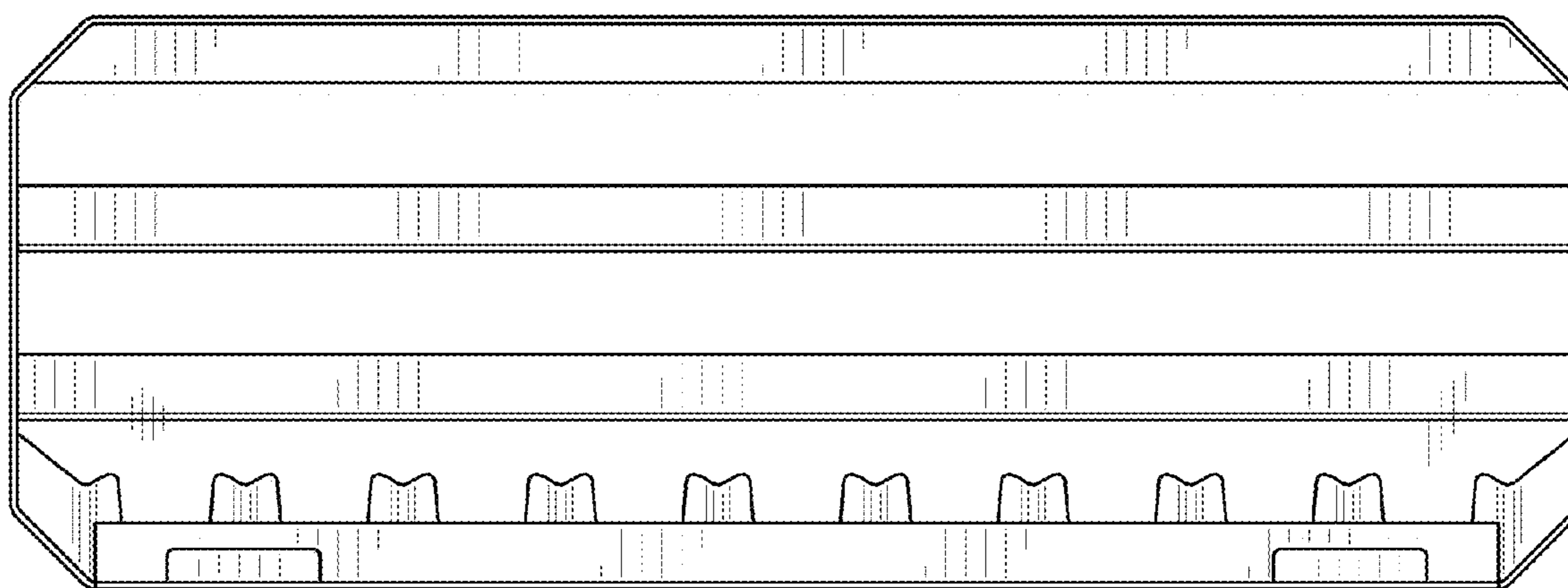


FIG. 3

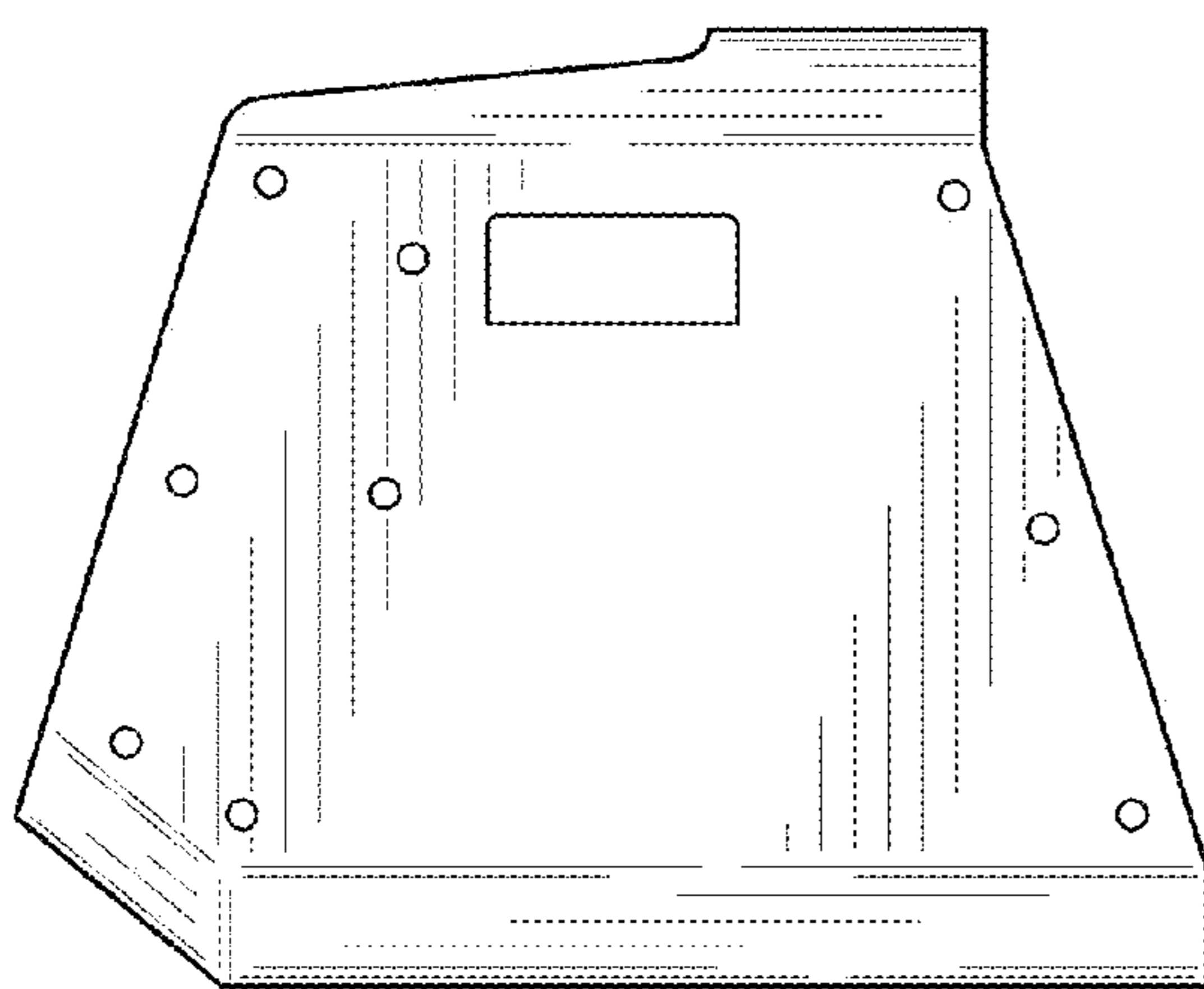


FIG. 4

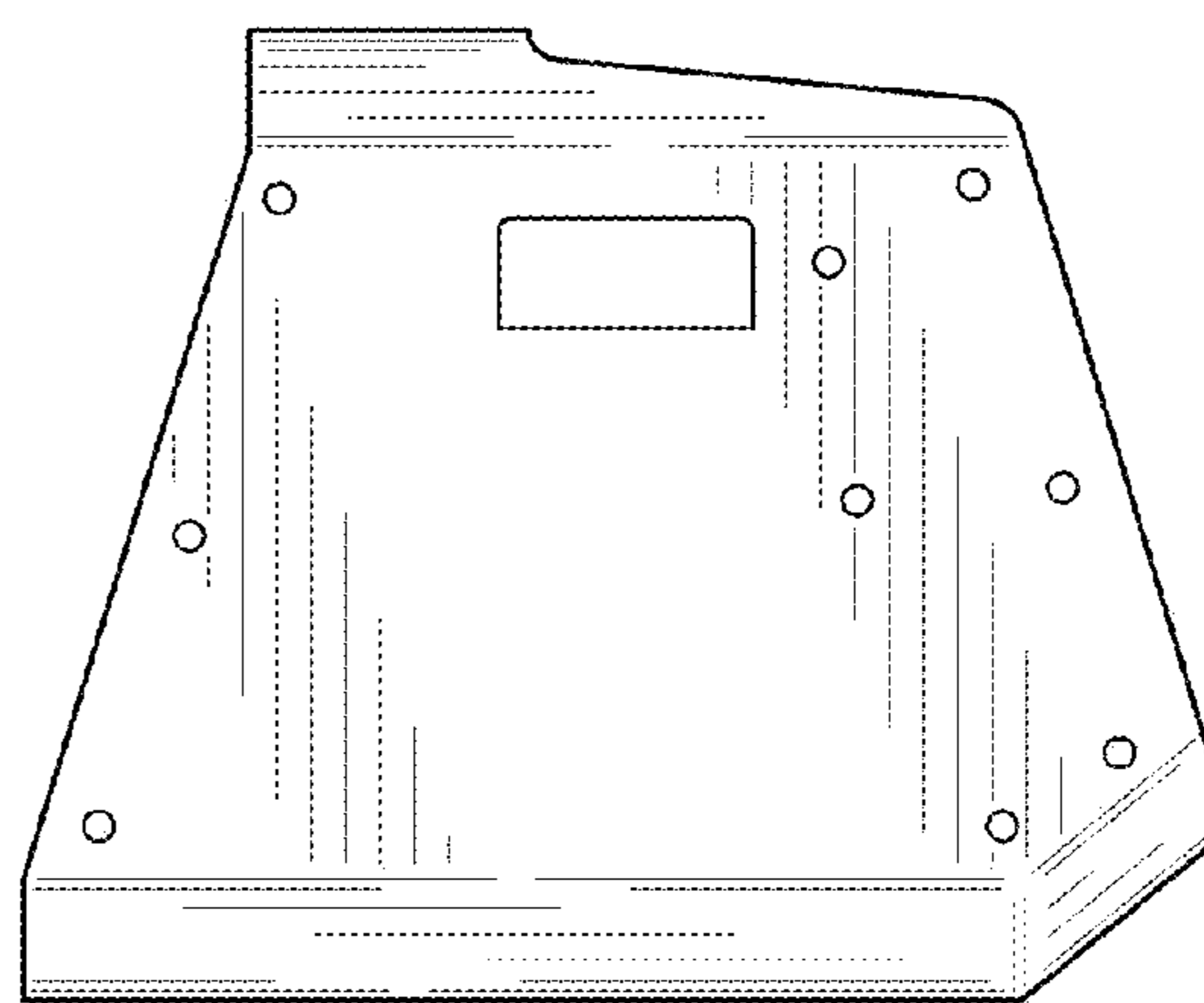
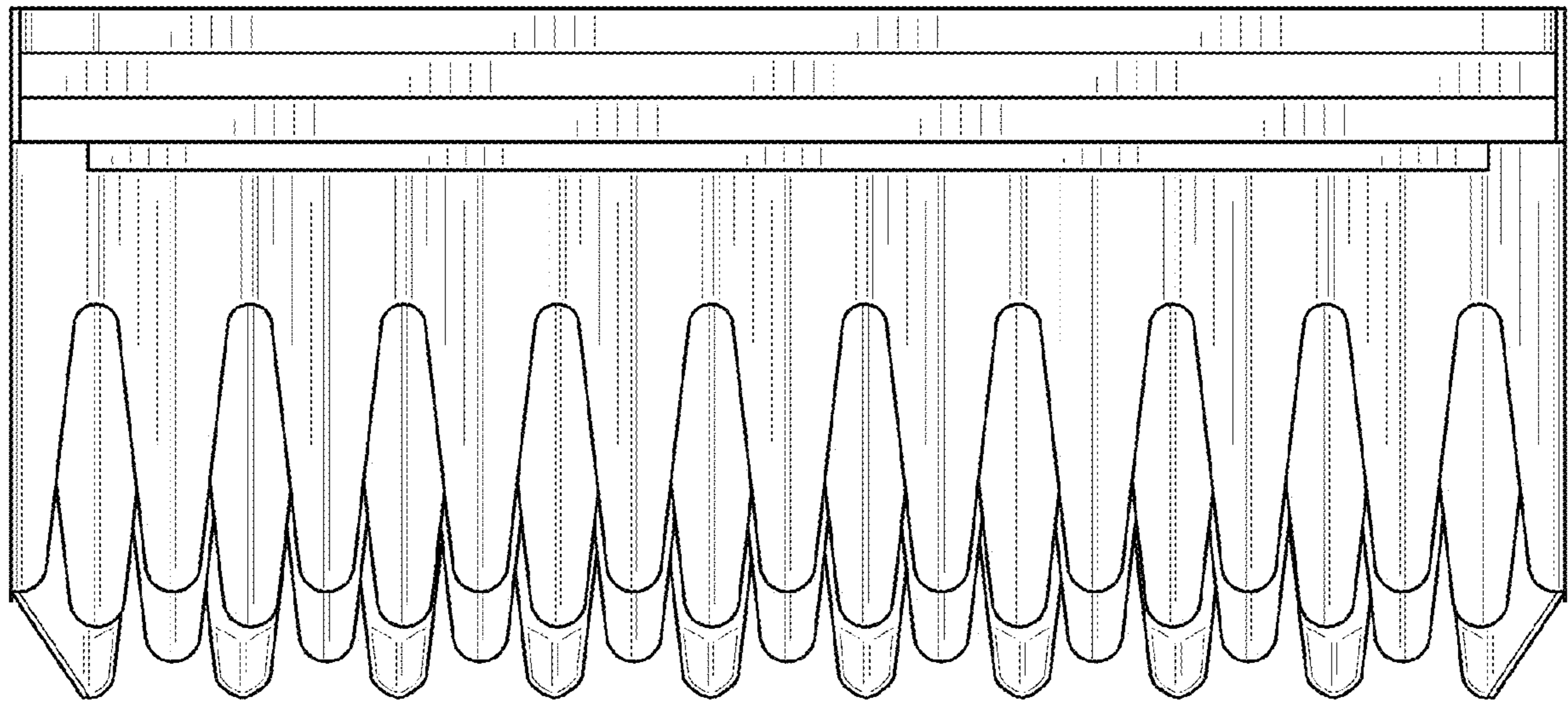
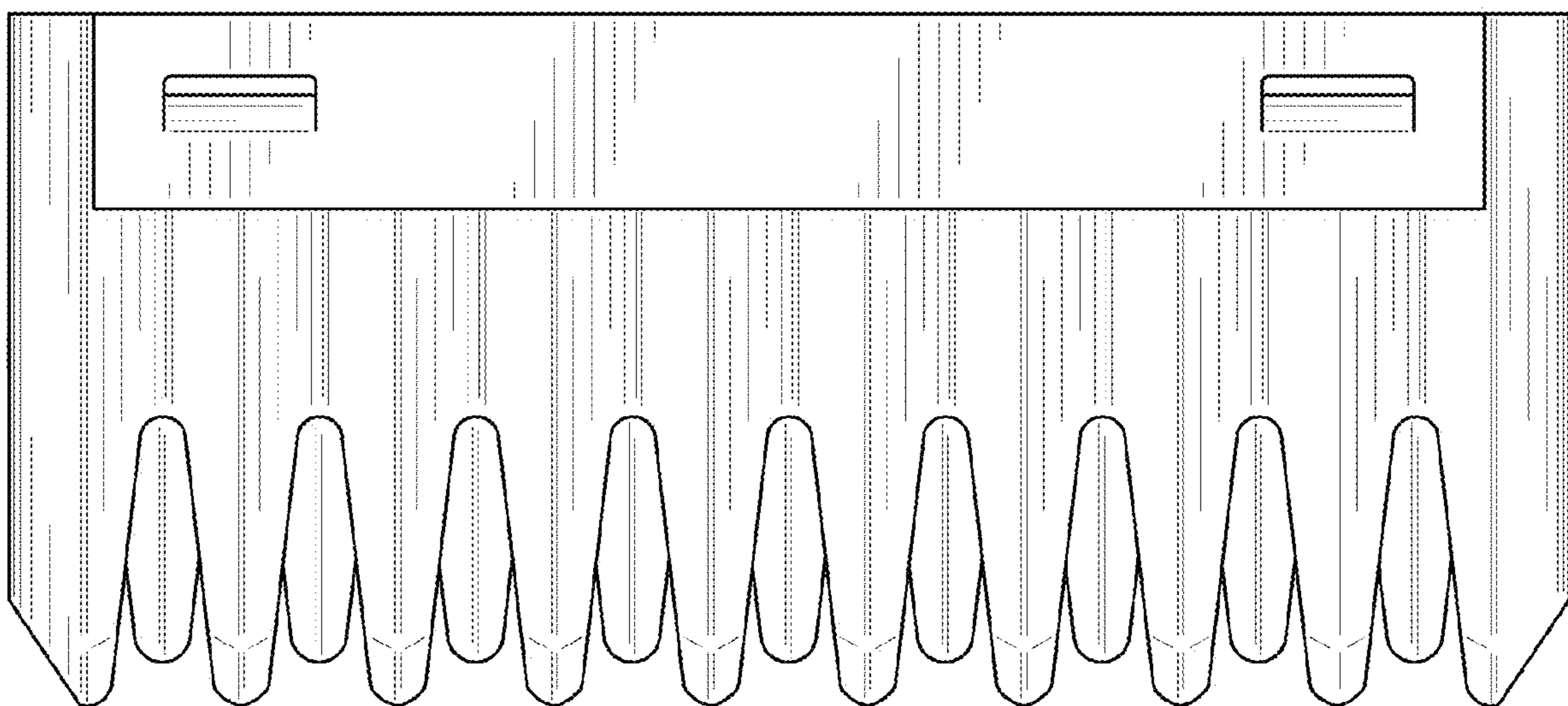


FIG. 5



*FIG. 6*



*FIG. 7*

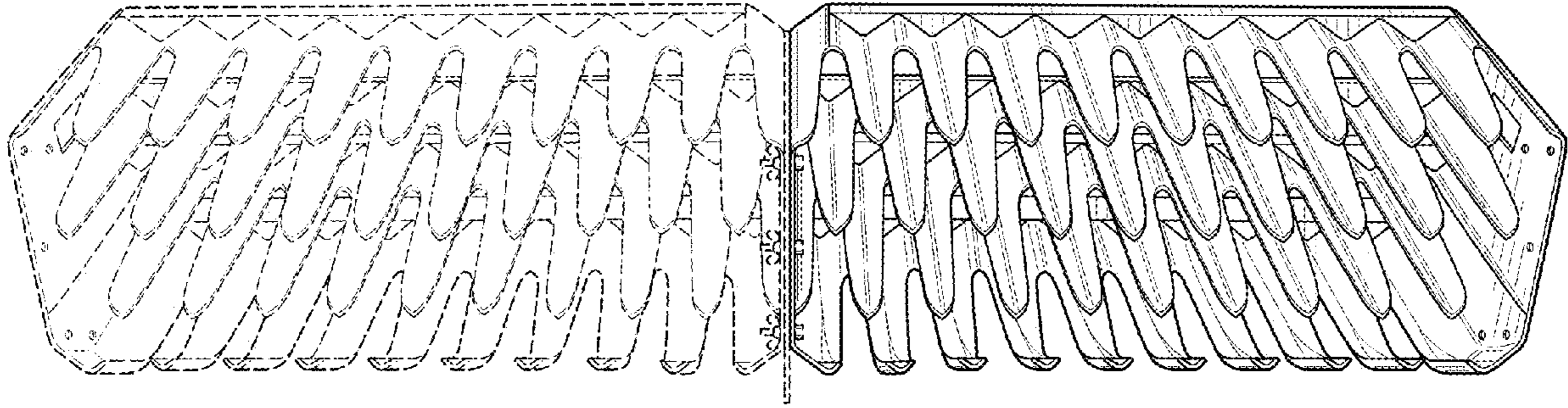


FIG. 8

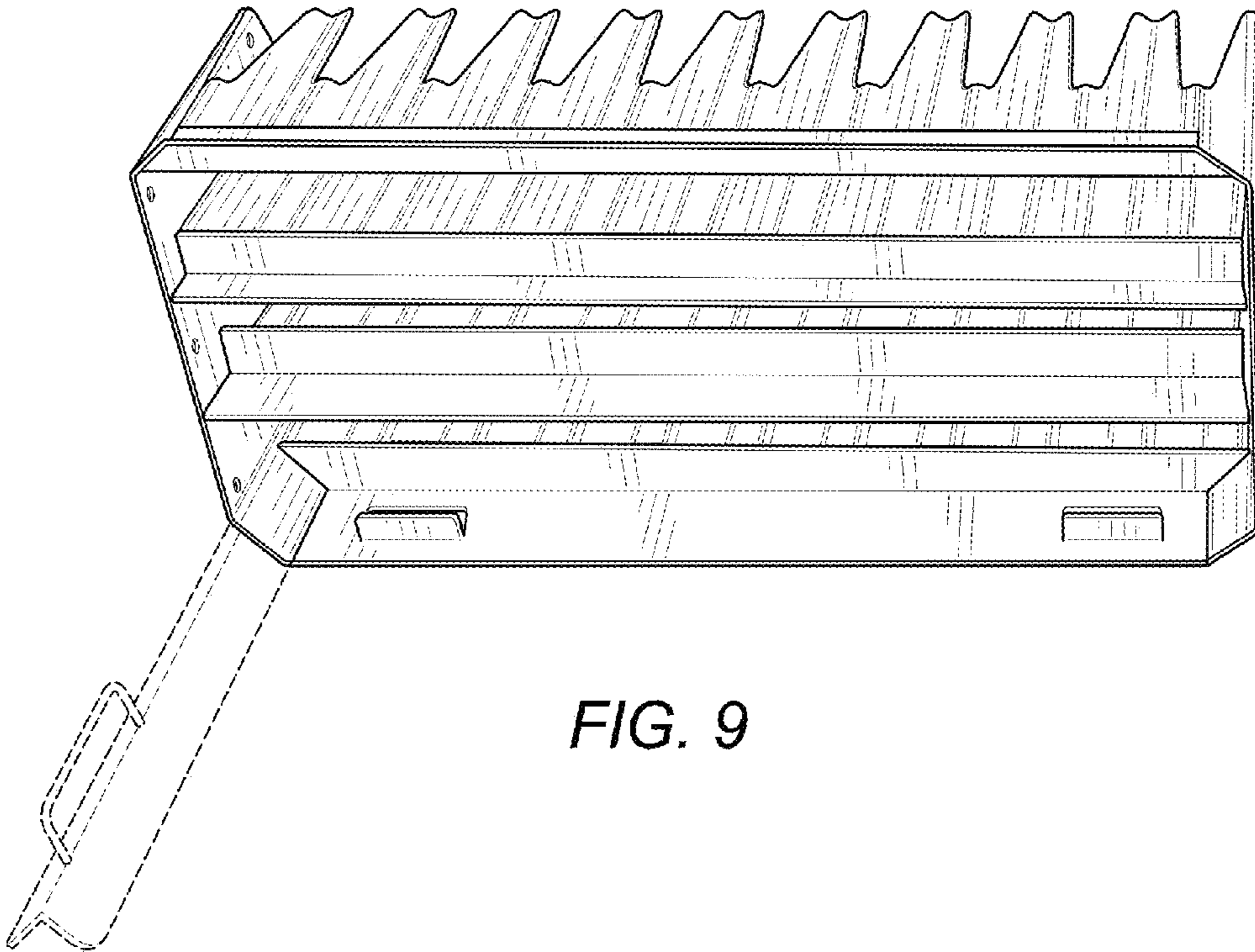


FIG. 9

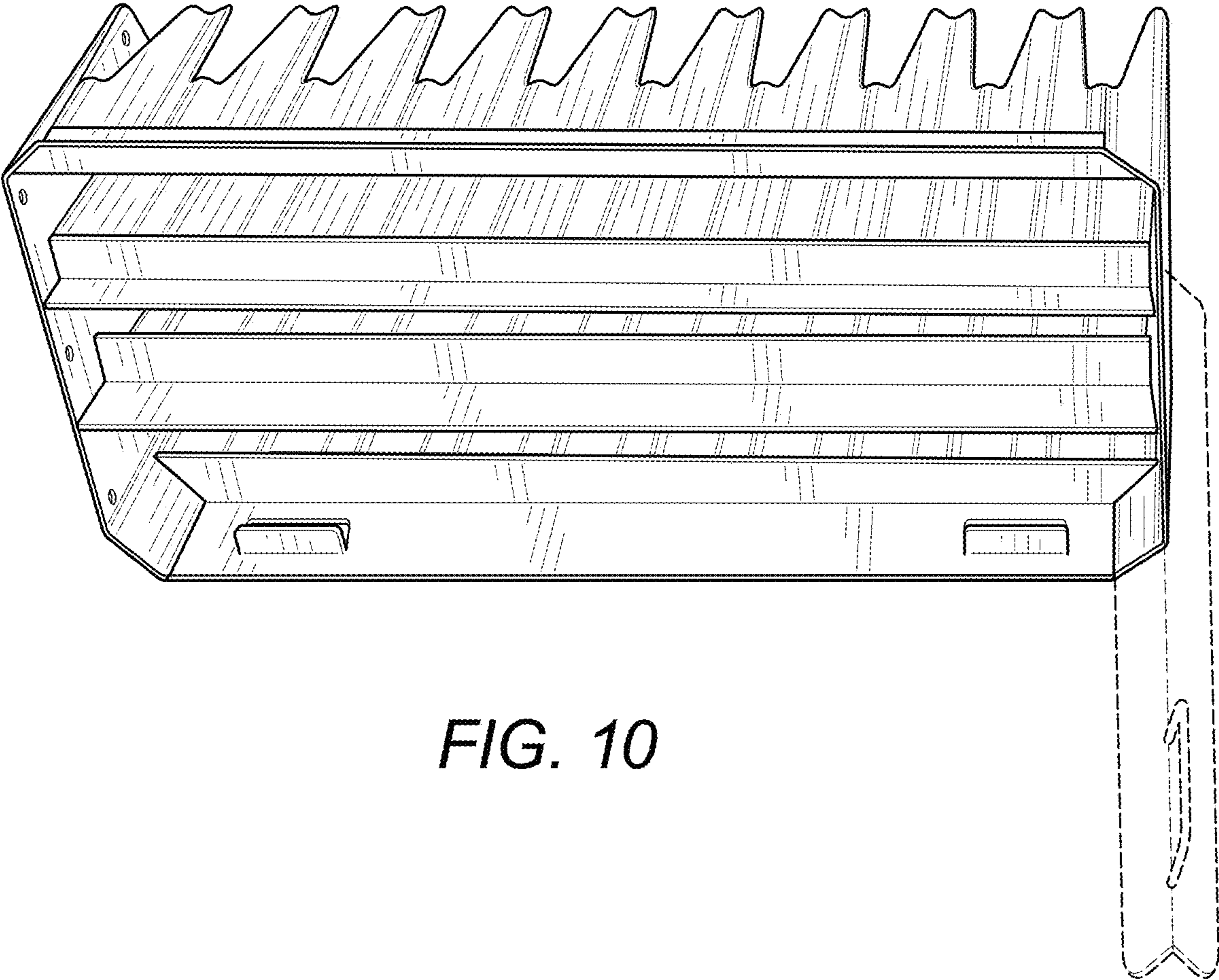


FIG. 10