



US00D904835S

(12) **United States Design Patent**  
**Chen**

(10) **Patent No.:** **US D904,835 S**

(45) **Date of Patent:** **\*\* Dec. 15, 2020**

(54) **FOLDABLE FOOD SLICER**

(71) Applicant: **Cuihong Chen**, Taizhou (CN)

(72) Inventor: **Cuihong Chen**, Taizhou (CN)

(\*\*) Term: **15 Years**

(21) Appl. No.: **29/673,581**

(22) Filed: **Dec. 17, 2018**

(51) **LOC (12) Cl.** ..... **07-04**

(52) **U.S. Cl.**  
USPC ..... **D7/673**

(58) **Field of Classification Search**  
USPC ..... D7/672–674, 693–696, 381–385  
See application file for complete search history.

(56) **References Cited**

U.S. PATENT DOCUMENTS

D400,767 S *	11/1998	de Saint-Genois	.....	D7/673
D505,301 S *	5/2005	Wong	.....	D7/673
7,066,071 B2 *	6/2006	Zeder	.....	B26D 3/283
				30/278
D532,261 S *	11/2006	Mellen	.....	D7/673
D559,635 S *	1/2008	Wong	.....	D7/673
D578,836 S *	10/2008	Hood	.....	D7/673
D580,234 S *	11/2008	Hood	.....	D7/673
D650,642 S *	12/2011	Fung	.....	D7/673
D775,499 S *	1/2017	Yamamoto	.....	D7/673

D812,997 S *	3/2018	Cabrita	.....	D7/673
D858,217 S *	9/2019	Byeon	.....	D7/673
2010/0263514 A1 *	10/2010	Mah	.....	B26D 3/283
				83/856
2014/0366699 A1 *	12/2014	Wong	.....	B26D 3/283
				83/698.11
2017/0021515 A1 *	1/2017	Colburn	.....	B26D 3/283

\* cited by examiner

*Primary Examiner* — Brett Miller

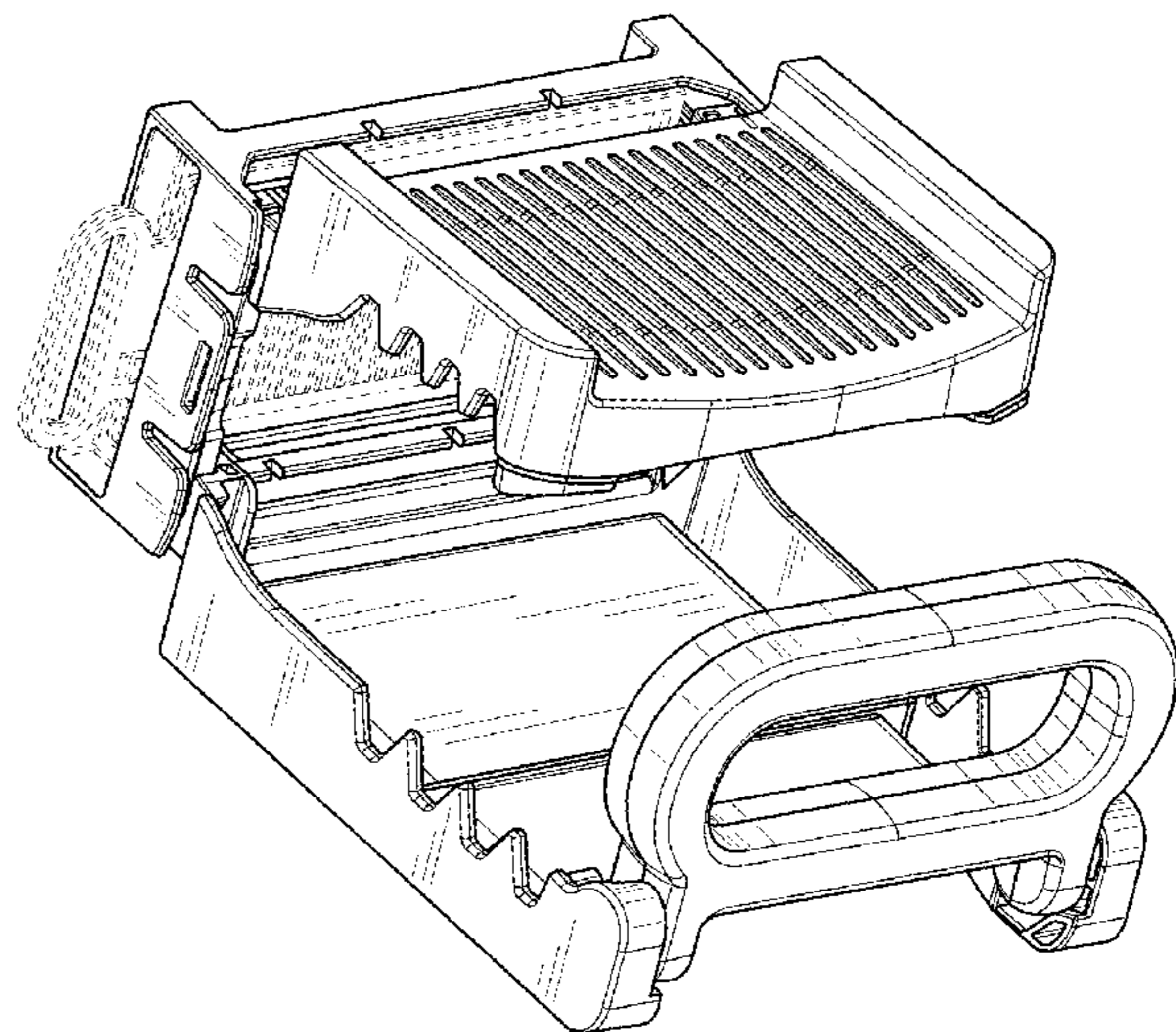
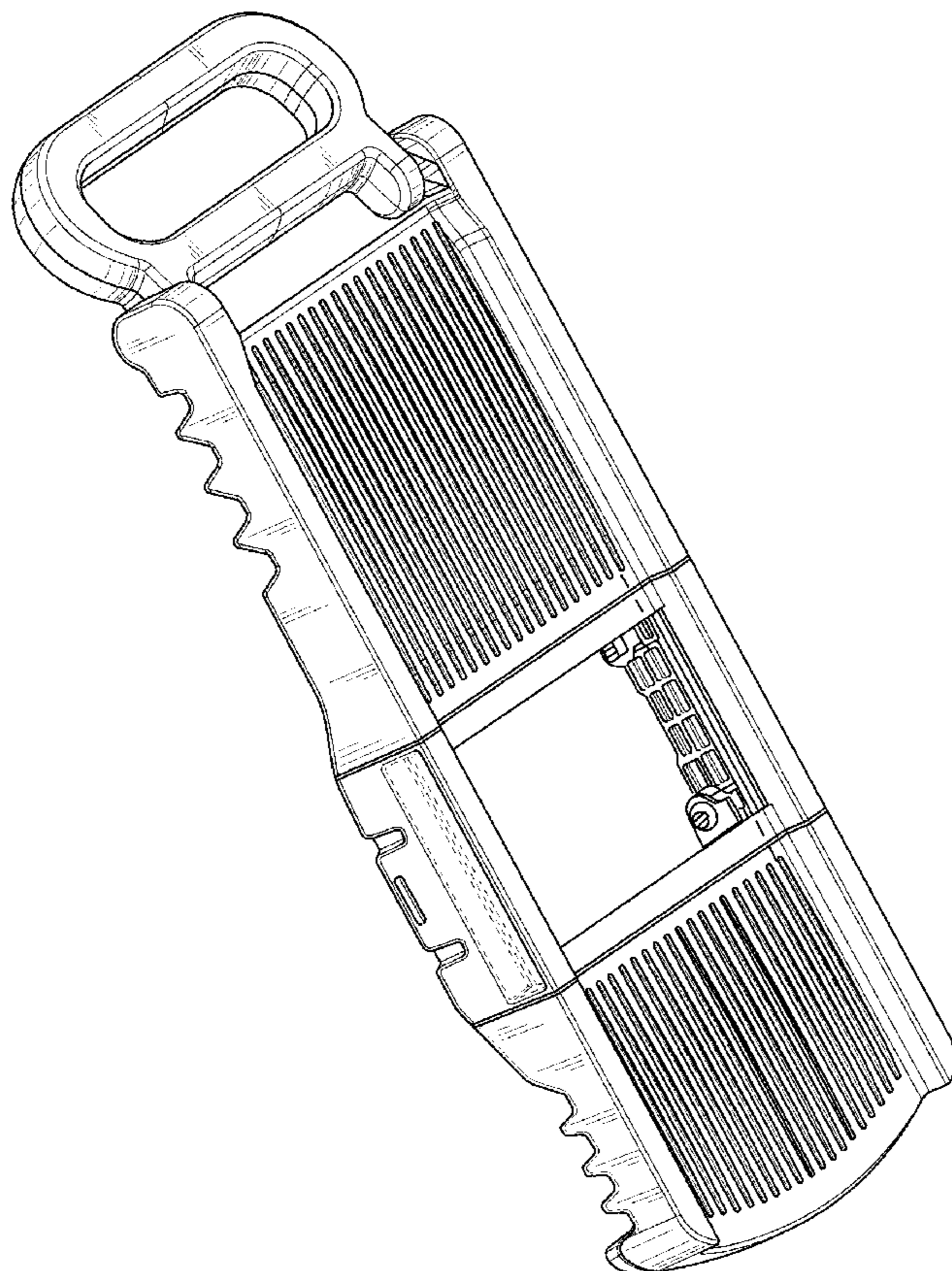
(57) **CLAIM**

The ornamental design for a foldable food slicer, as shown and described.

**DESCRIPTION**

FIG. 1 is a perspective view of a foldable food slicer showing my new design;  
 FIG. 2 is a Rear view thereof;  
 FIG. 3 is a Front view thereof;  
 FIG. 4 is a left view thereof;  
 FIG. 5 is a right view thereof;  
 FIG. 6 is a bottom view thereof;  
 FIG. 7 is a top view thereof; and,  
 FIG. 8 is a perspective view of a foldable food slicer in a folded state.  
 The broken lines depict portions of the foldable food slicer that form no part of the claimed design.

**1 Claim, 8 Drawing Sheets**





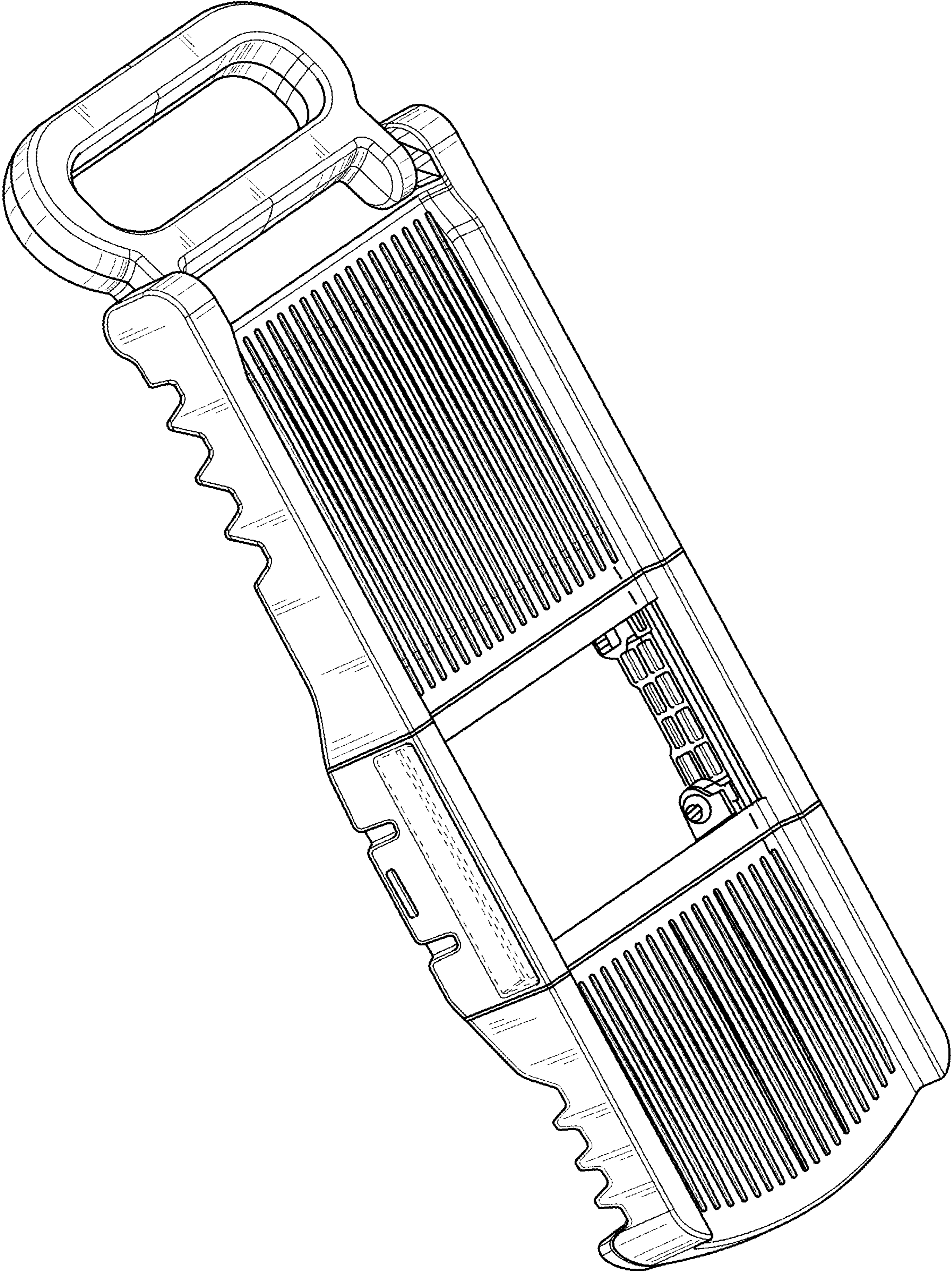


FIG. 1

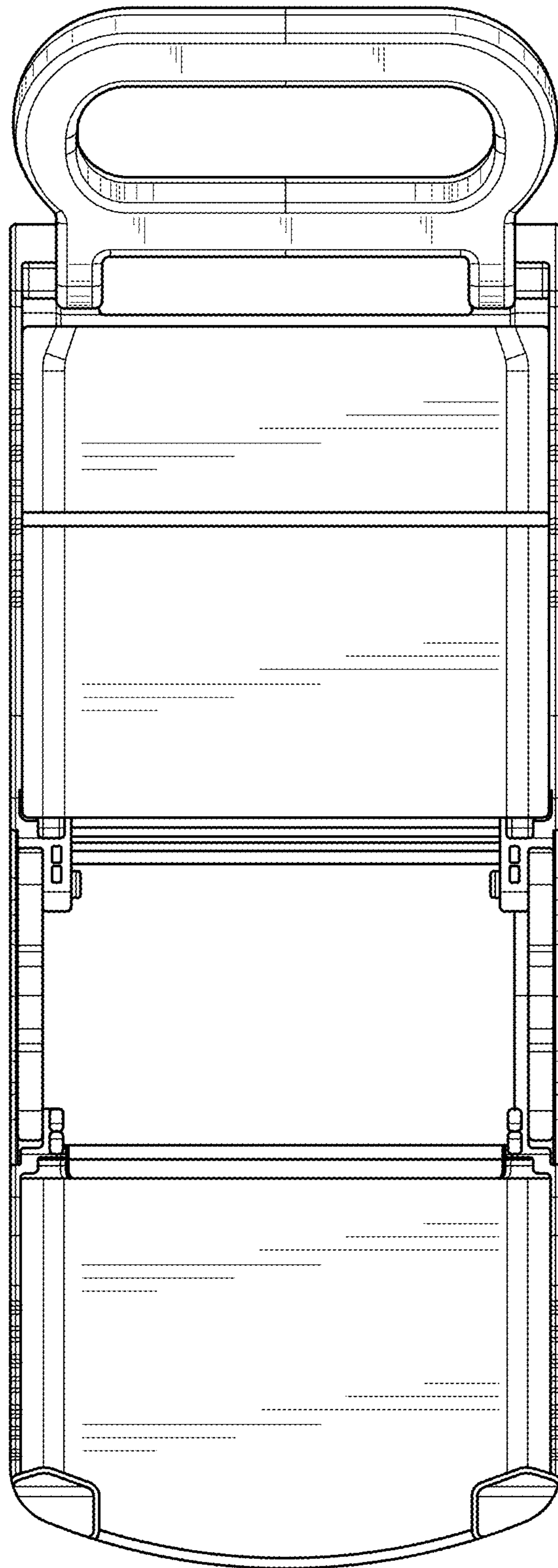


FIG. 2



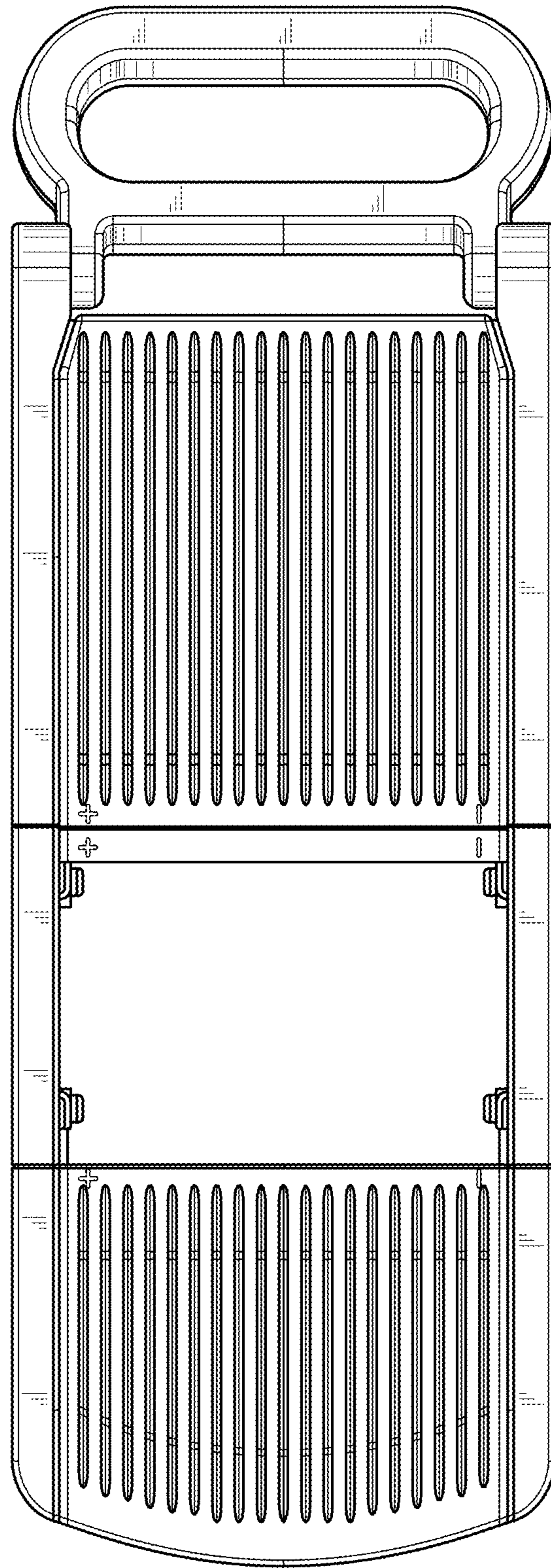


FIG. 3

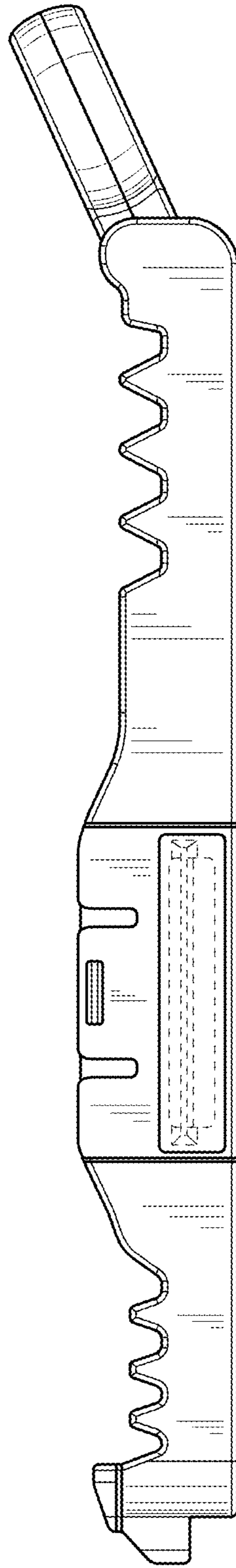


FIG. 4

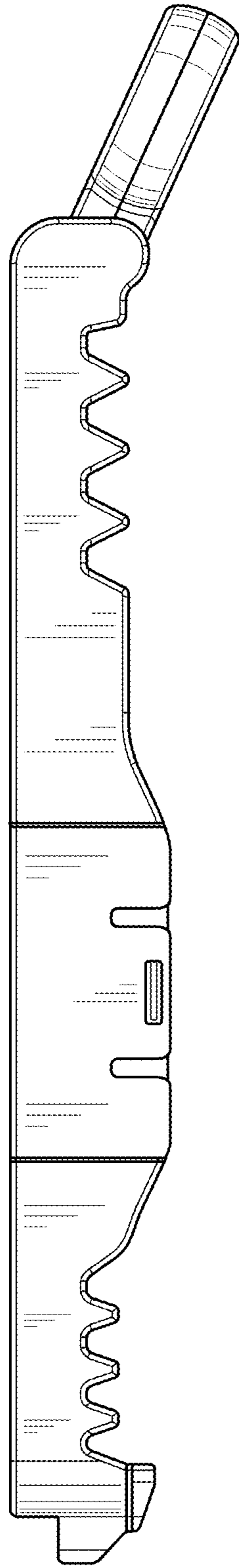


FIG. 5

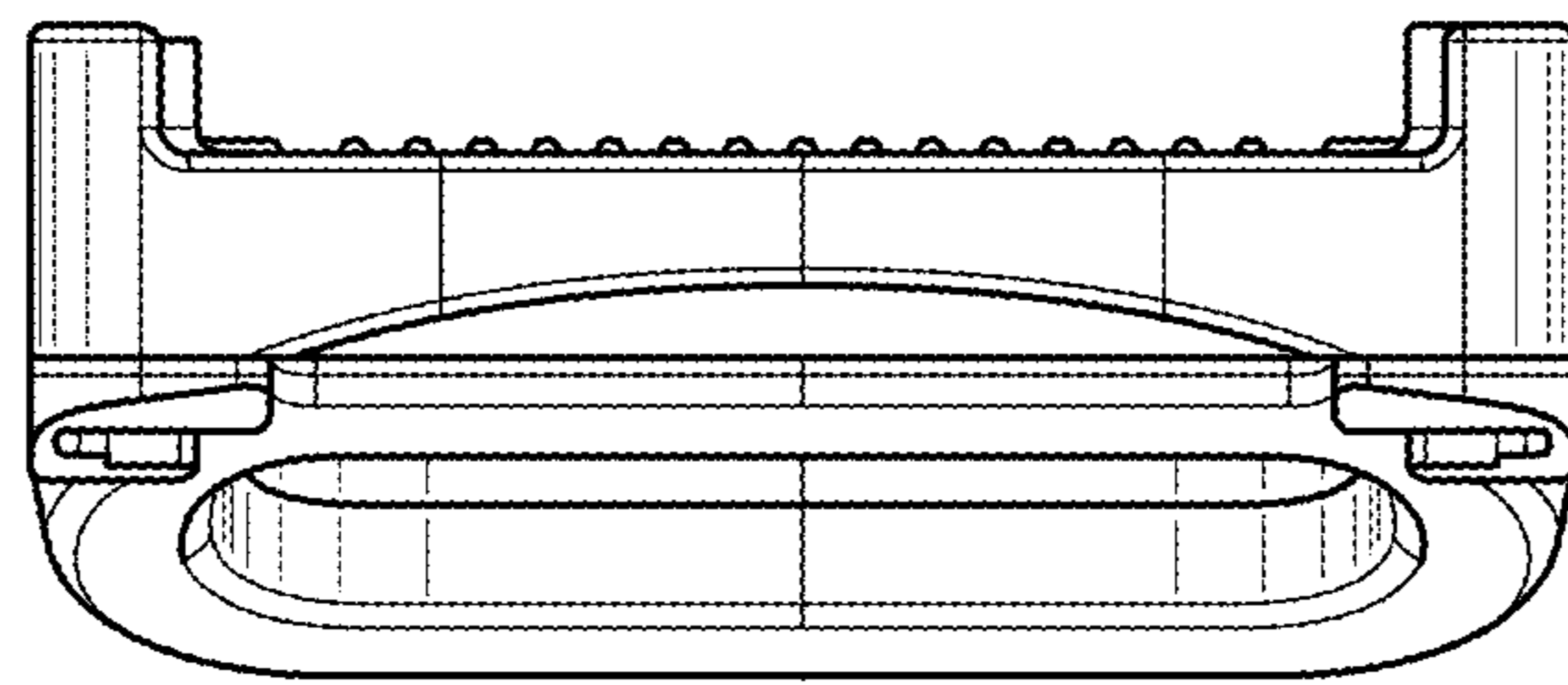


FIG. 6

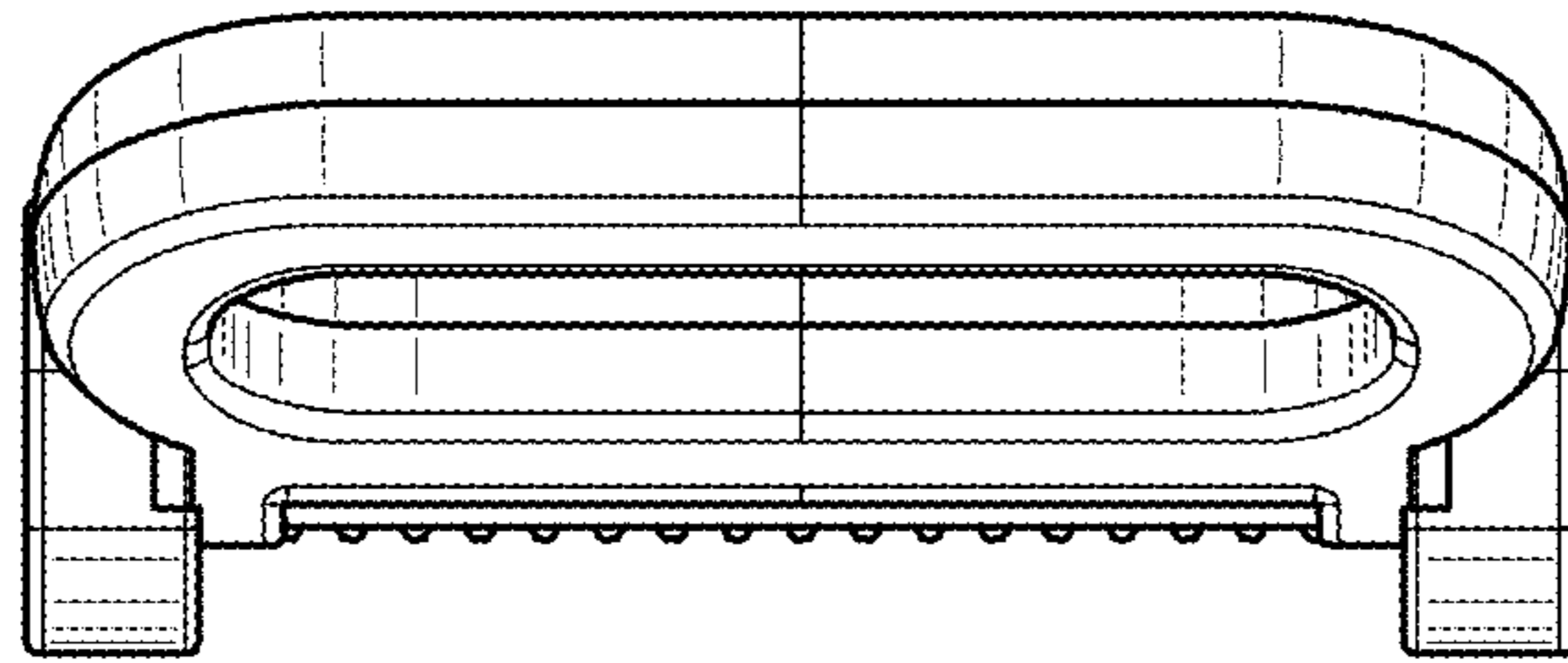


FIG. 7



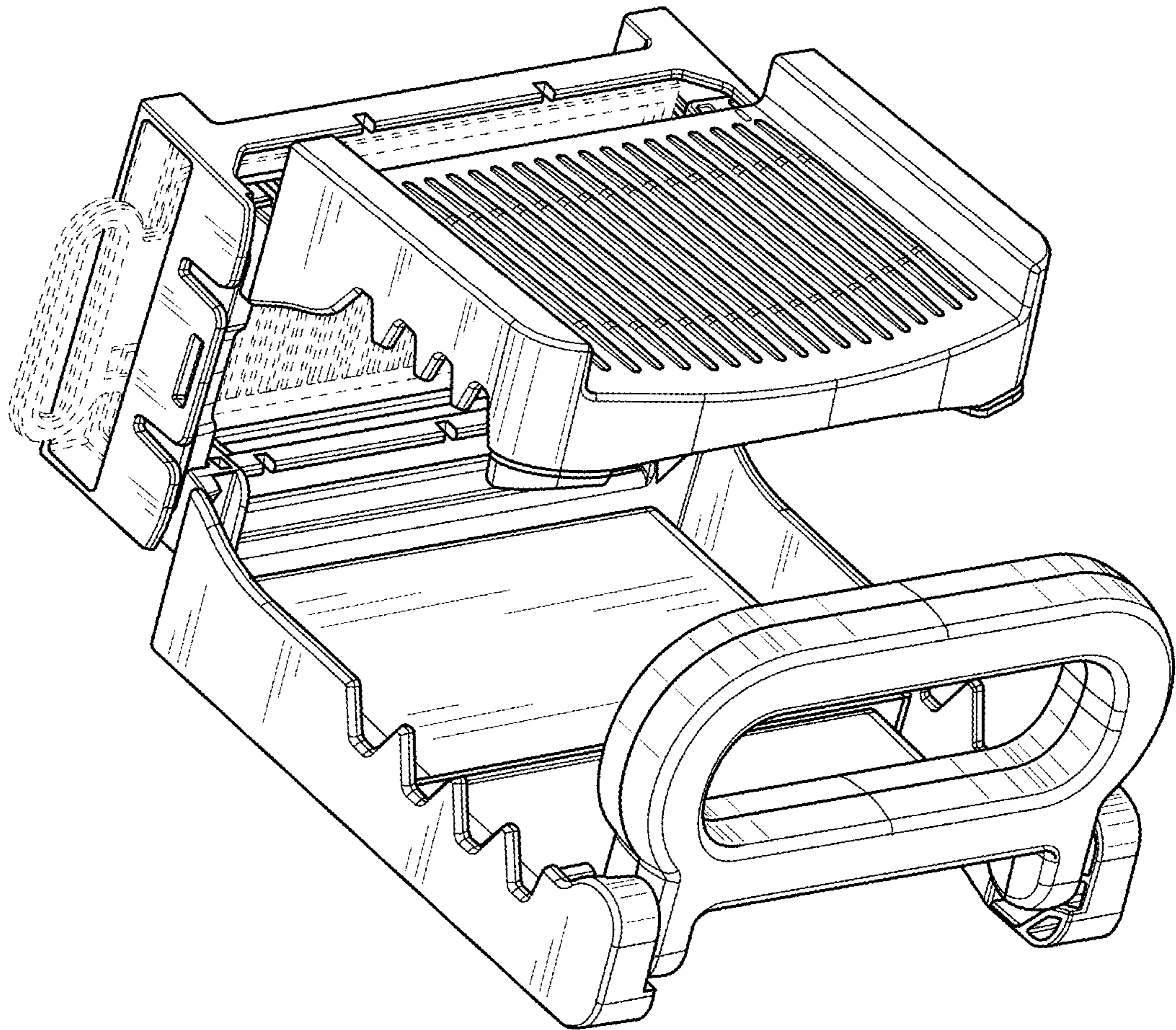


FIG. 8