



US00D904834S

(12) **United States Design Patent**
Krus

(10) **Patent No.:** **US D904,834 S**

(45) **Date of Patent:** **** Dec. 15, 2020**

(54) **JUICER**

(71) Applicant: **Lifetime Brands, Inc.**, Garden City,
NY (US)

(72) Inventor: **Matt Krus**, Seattle, WA (US)

(73) Assignee: **LIFETIME BRANDS, INC.**, Garden
City, NY (US)

(**) Term: **15 Years**

(21) Appl. No.: **29/690,613**

(22) Filed: **May 9, 2019**

(51) **LOC (12) Cl.** **07-04**

(52) **U.S. Cl.**
USPC **D7/665**

(58) **Field of Classification Search**

USPC D7/665-667, 412, 368, 669, 376-386,
D7/372; D10/46.2-46.3

CPC A47J 19/02; A47J 19/022; A47J 19/027;
A47J 19/06; A47J 19/00; A47J 19/30;
A47J 19/023; A47J 36/06; A47J 43/14;
A23N 1/00; A23N 1/003

See application file for complete search history.

(56) **References Cited**

U.S. PATENT DOCUMENTS

D251,405 S * 3/1979 Ackeret D7/665
5,088,392 A * 2/1992 Ancona A47J 19/023
99/499

D428,311 S * 7/2000 Thackray D7/665
D465,386 S * 11/2002 Wang D7/665
D534,826 S * 1/2007 Jossem D7/665
2003/0005832 A1 * 1/2003 Wang A47J 19/023
100/213
2010/0170406 A1 * 7/2010 Chuang A47J 19/023
100/126

* cited by examiner

Primary Examiner — Terry A Wallace

(74) *Attorney, Agent, or Firm* — Tutunjian & Bitetto, P.C.

(57) **CLAIM**

The ornamental design for a juicer, as shown and described.

DESCRIPTION

FIG. 1 is a perspective view of the juicer showing my new design;

FIG. 2 is a front view thereof;

FIG. 3 is a right side view thereof;

FIG. 4 is rear view thereof;

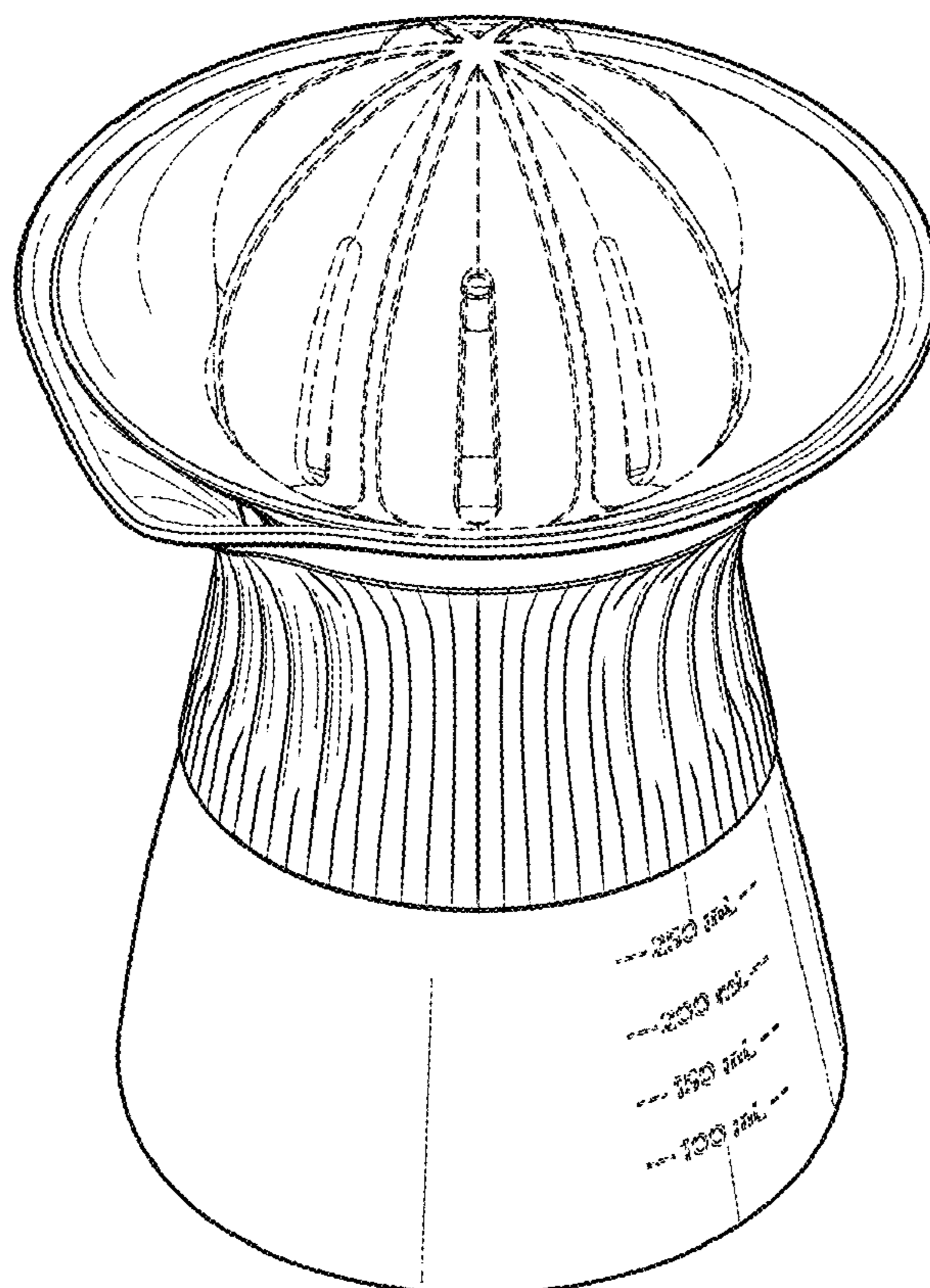
FIG. 5 is a left side view thereof;

FIG. 6 is a top view thereof; and,

FIG. 7 is a bottom view thereof.

The broken lines are for purposes of showing environmental structure and make up no part of the claimed design.

1 Claim, 3 Drawing Sheets



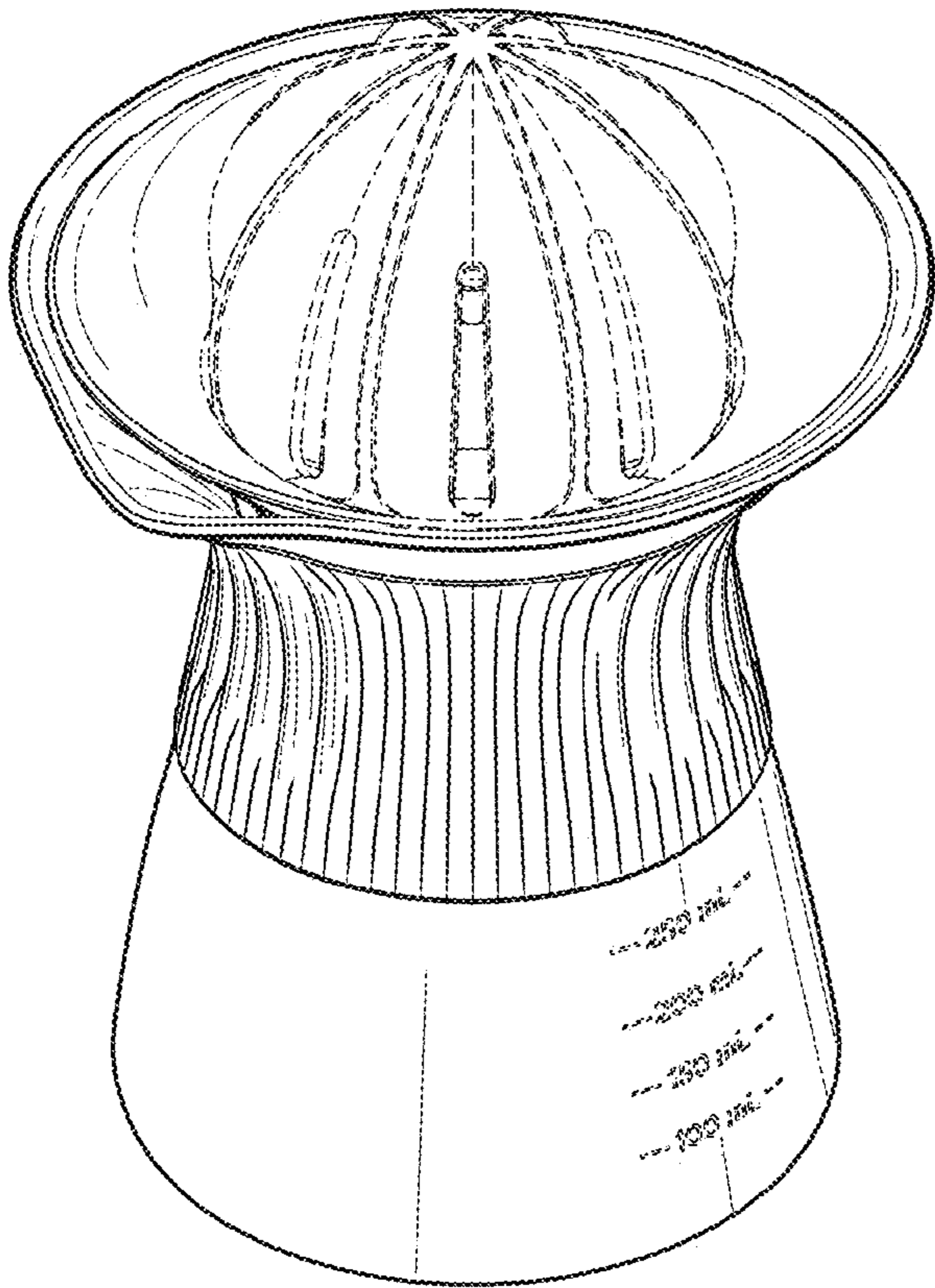


FIG. 1

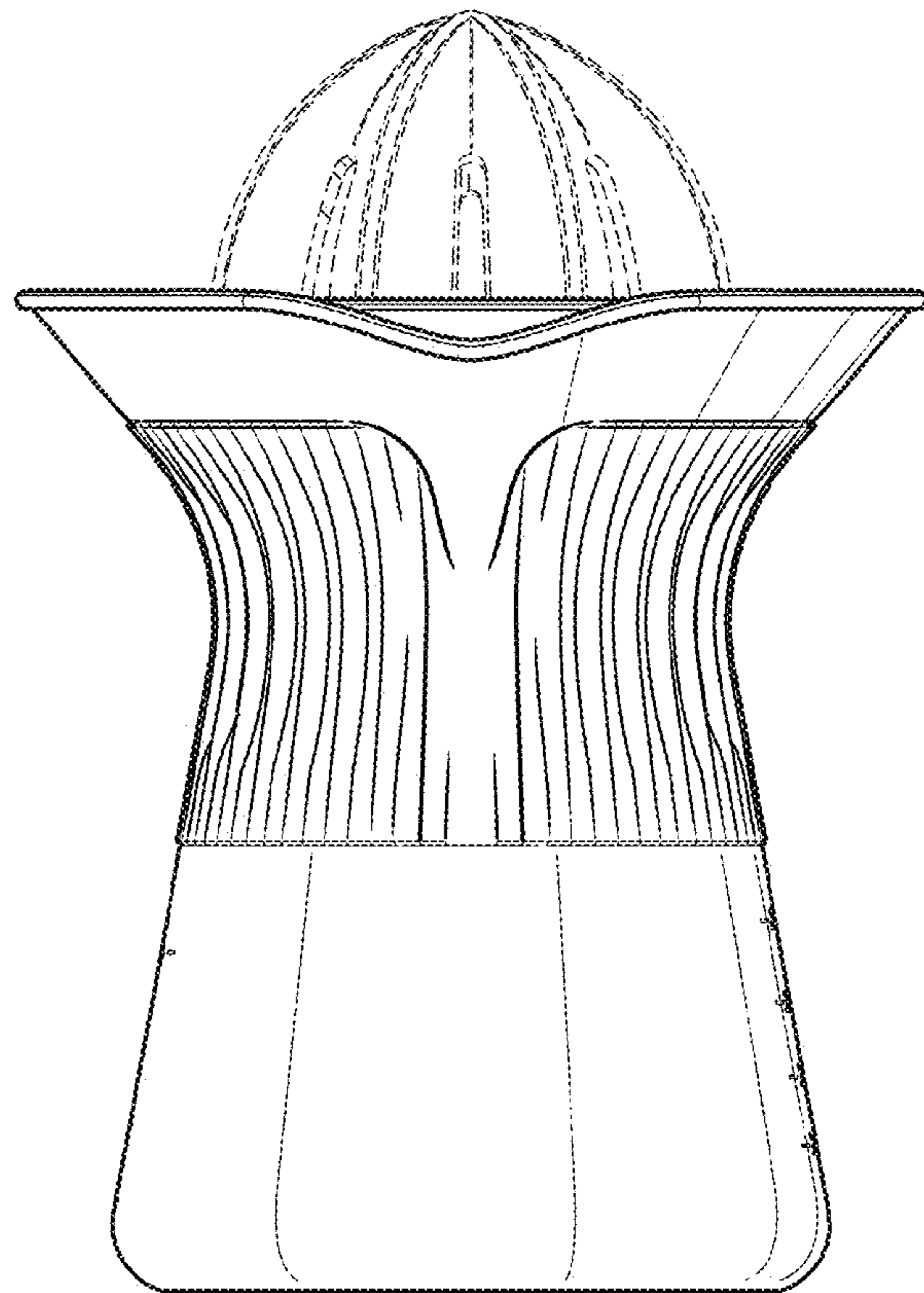


FIG. 2

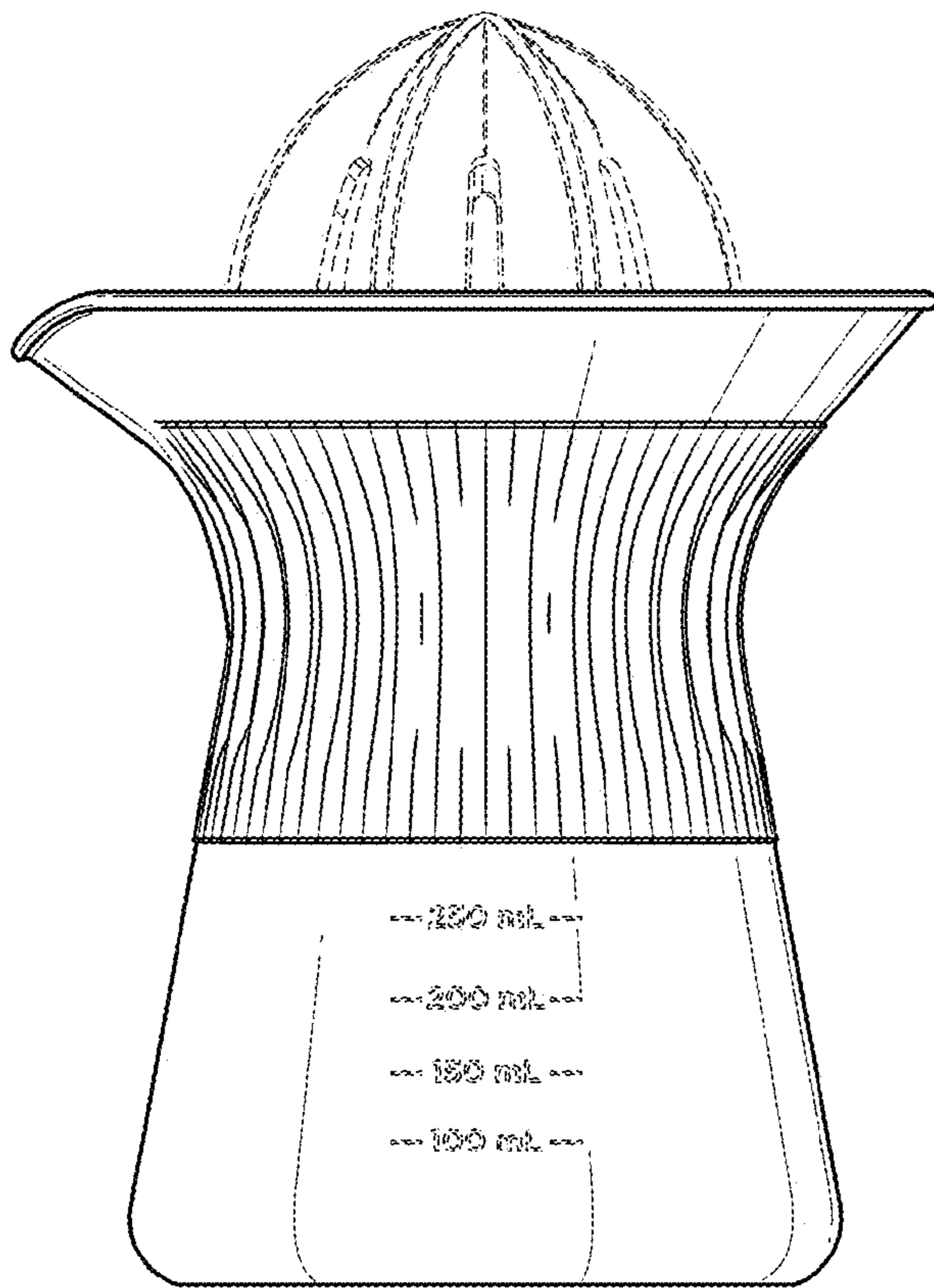


FIG. 3

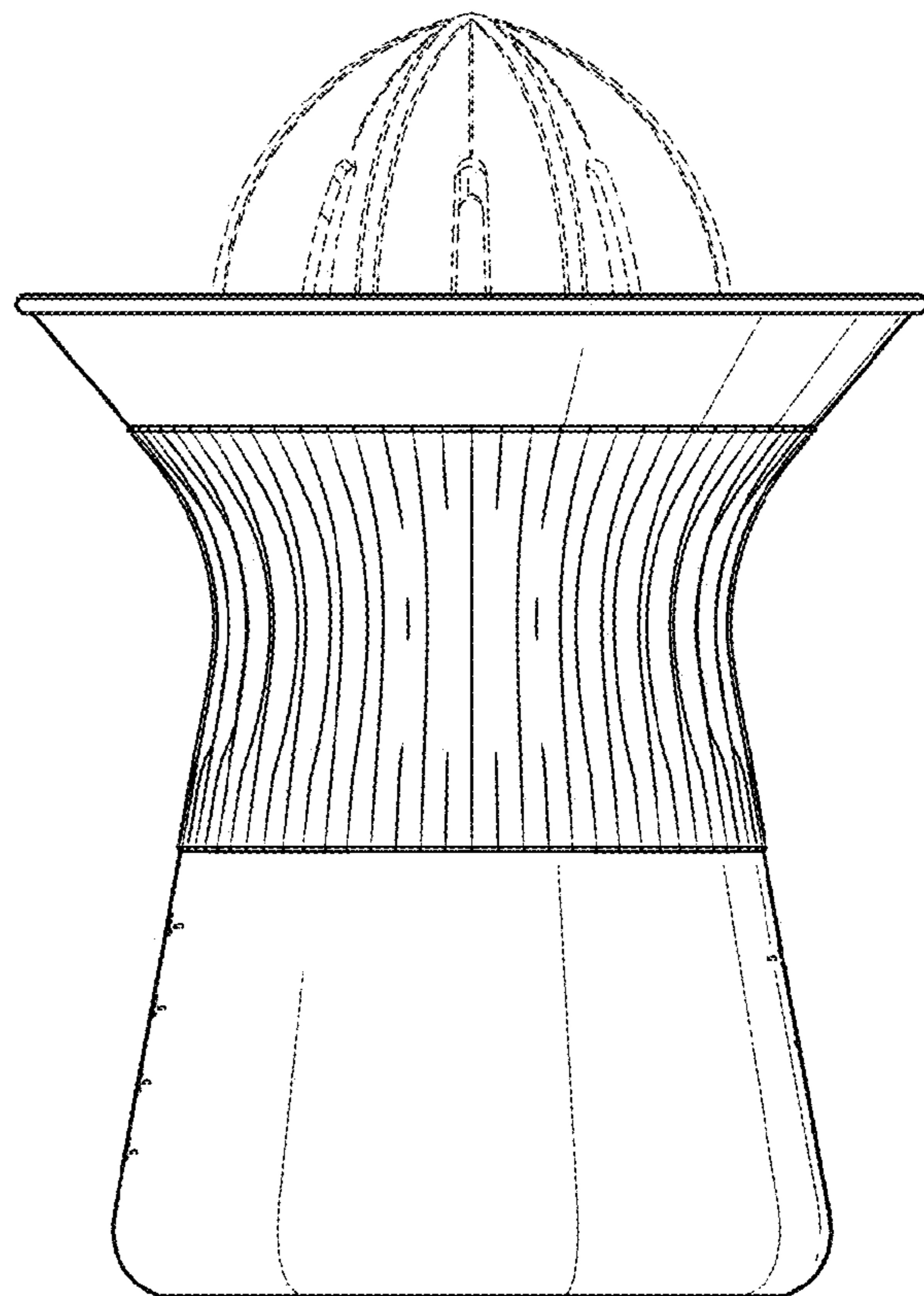


FIG. 4

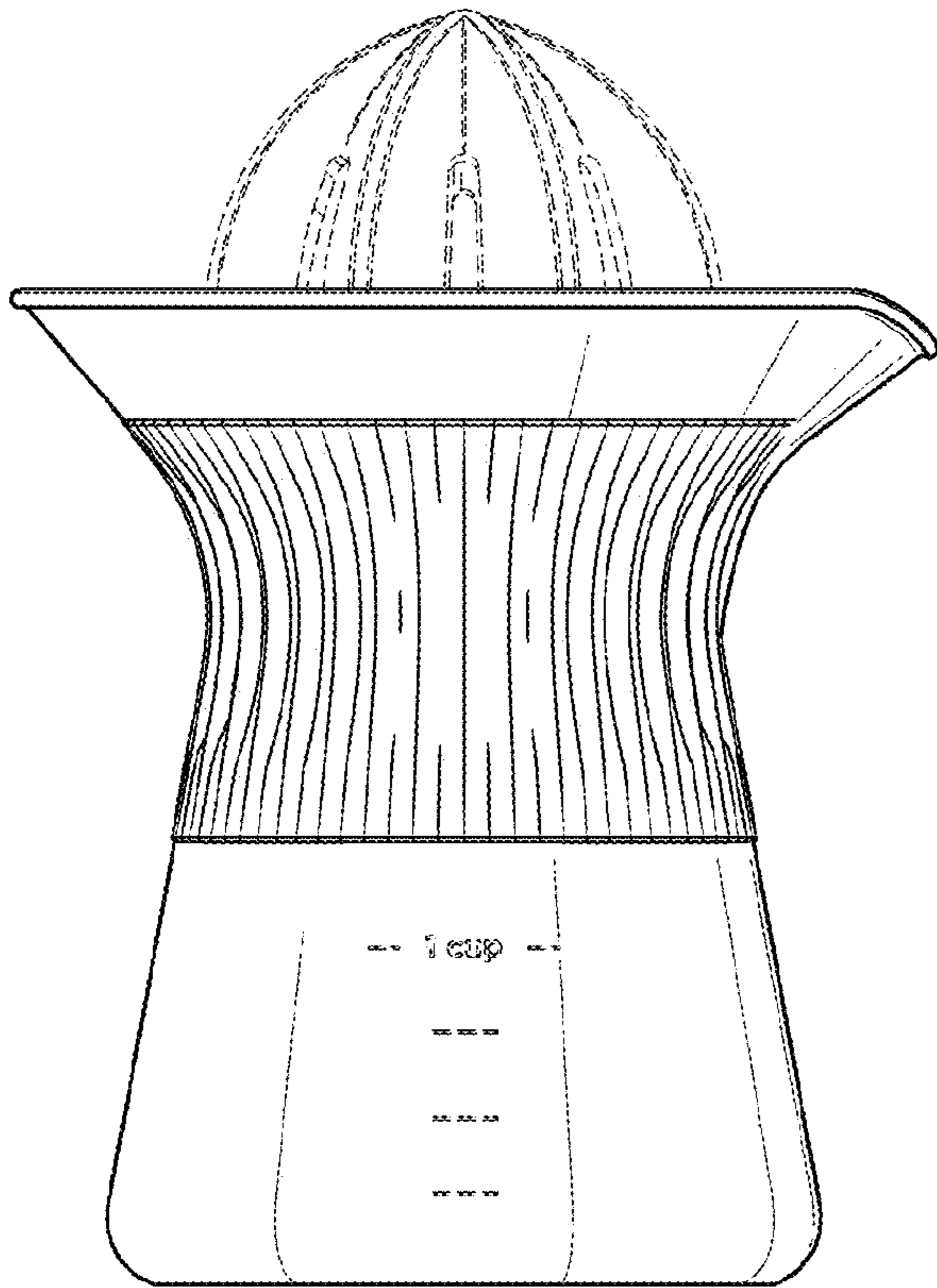


FIG. 5

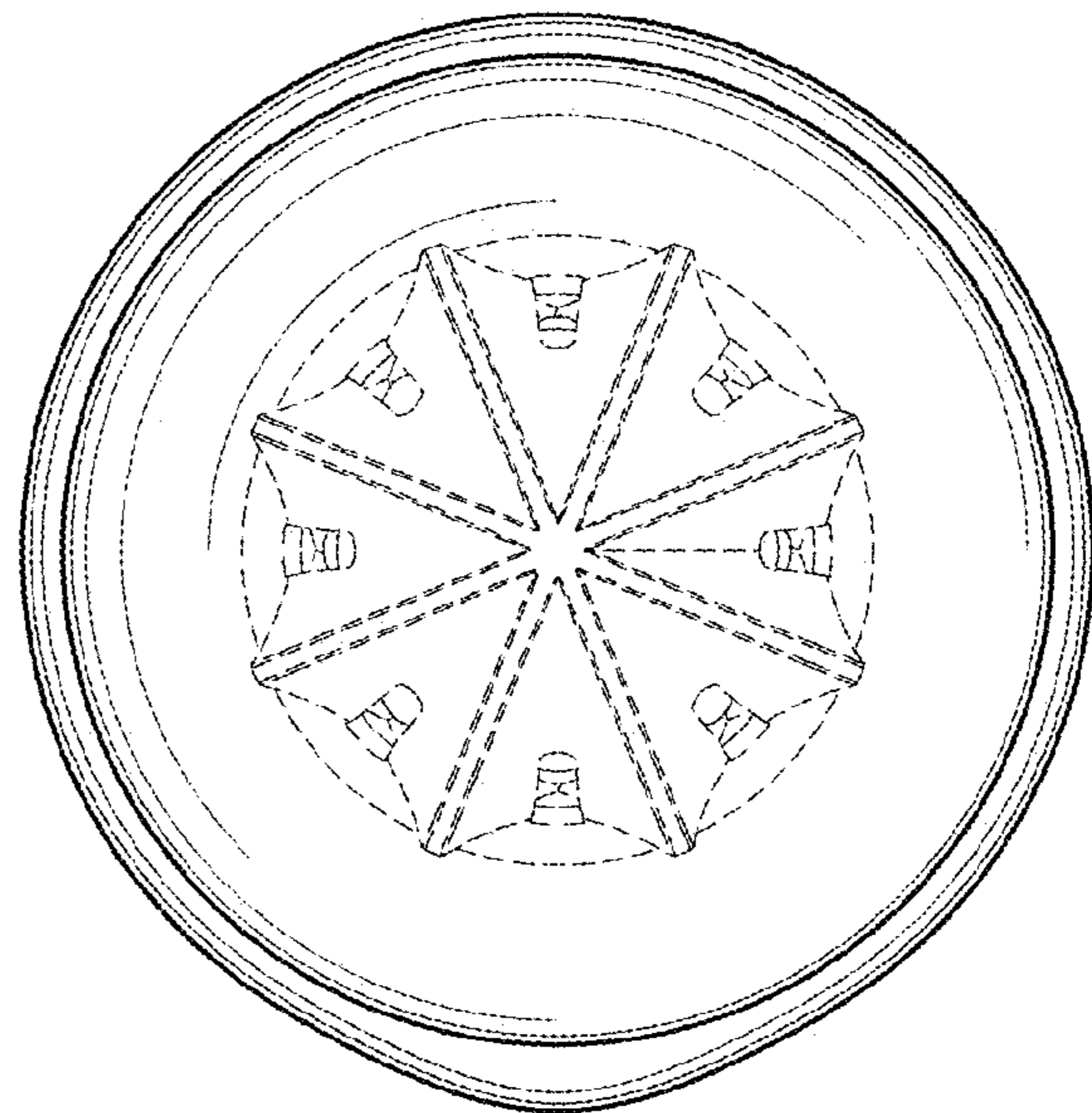


FIG. 6

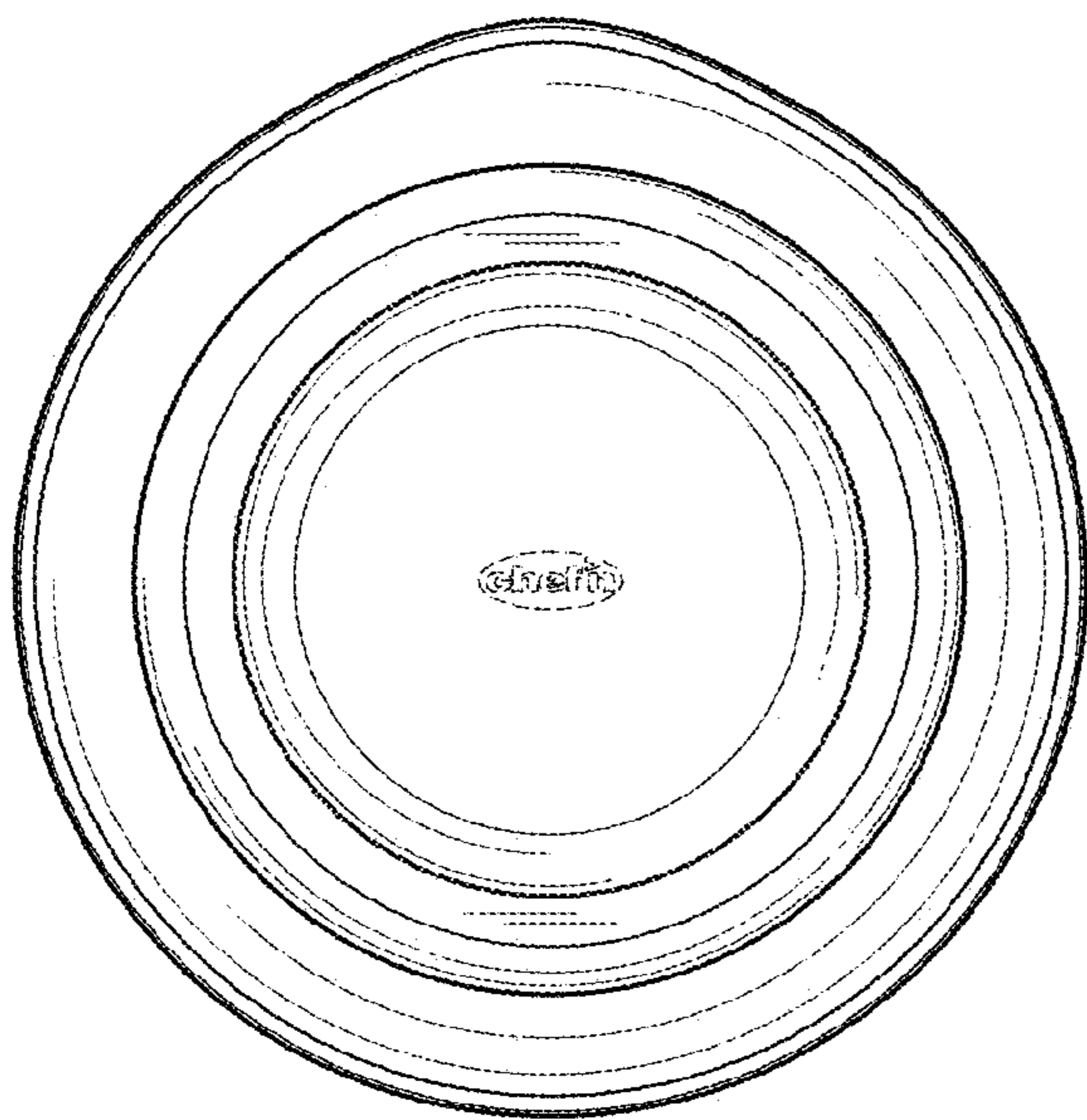


FIG. 7