



US00D904832S

(12) **United States Design Patent**
Medeiros Santos et al.

(10) **Patent No.:** **US D904,832 S**
(45) **Date of Patent:** **** Dec. 15, 2020**

(54) **UTENSIL REST**
(71) Applicant: **Vacu Vin Innovations Ltd.**, Delfgauw (NL)
(72) Inventors: **Rui Medeiros Santos**, Rotterdam (NL); **Sandra van Oosterbaan-Rijnen**, Barendrecht (NL); **Delphine Buyse**, Voorburg (NL)

7,975,857 B2 * 7/2011 Restis A47L 19/02
206/553
D689,744 S * 9/2013 Tarantino D19/86
8,668,171 B2 * 3/2014 Tarantino A47G 21/14
220/500
D723,875 S * 3/2015 Elattrache D7/637
D740,619 S * 10/2015 Elliott D7/637
2002/0158031 A1 * 10/2002 Powers A47J 47/16
211/41.11

* cited by examiner

(**) Term: **15 Years**

Primary Examiner — Derrick E Holland
Assistant Examiner — Janice Patyk

(21) Appl. No.: **29/625,265**

(22) Filed: **Nov. 8, 2017**

(51) **LOC (12) Cl.** **07-07**

(57) **CLAIM**

(52) **U.S. Cl.**
USPC **D7/637**

The ornamental design for a “utensil rest,” as shown and described.

(58) **Field of Classification Search**
USPC D3/273, 274; D7/631, 637–641, 550.1;
D9/420–426, 432; D19/77, 81–86;
206/553, 557, 562, 564; 211/60.1, 70.1,
211/70.7; 220/23.83
CPC A47G 21/06; A47G 21/14; A47G 29/08;
B65D 43/169; B65D 45/00; B67B 7/16;
B67B 7/44

DESCRIPTION

See application file for complete search history.

FIG. 1 is a top perspective view of a utensil rest, showing our new design;
FIG. 2 is a front view thereof;
FIG. 3 is a right side view thereof;
FIG. 4 is a left side view thereof;
FIG. 5 is a top view thereof;
FIG. 6 is a bottom view thereof; and,
FIG. 7 is a back view thereof.

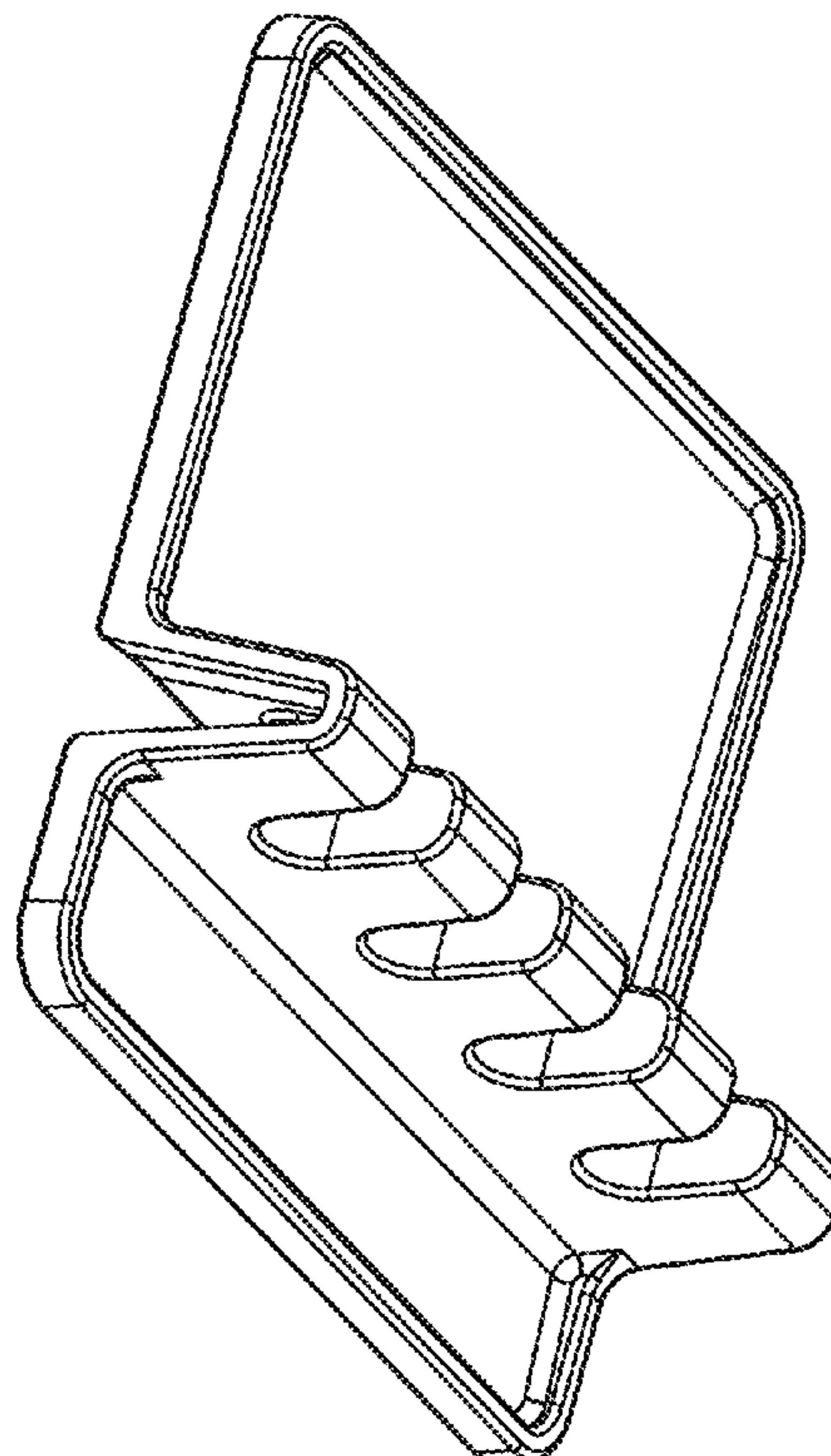
The broken lines in the figures illustrate the portions of the design that form no part of the claimed design.

(56) **References Cited**

U.S. PATENT DOCUMENTS

6,604,714 B1 * 8/2003 Hall A47F 7/0035
206/232
D504,587 S * 5/2005 Root D6/534

1 Claim, 7 Drawing Sheets



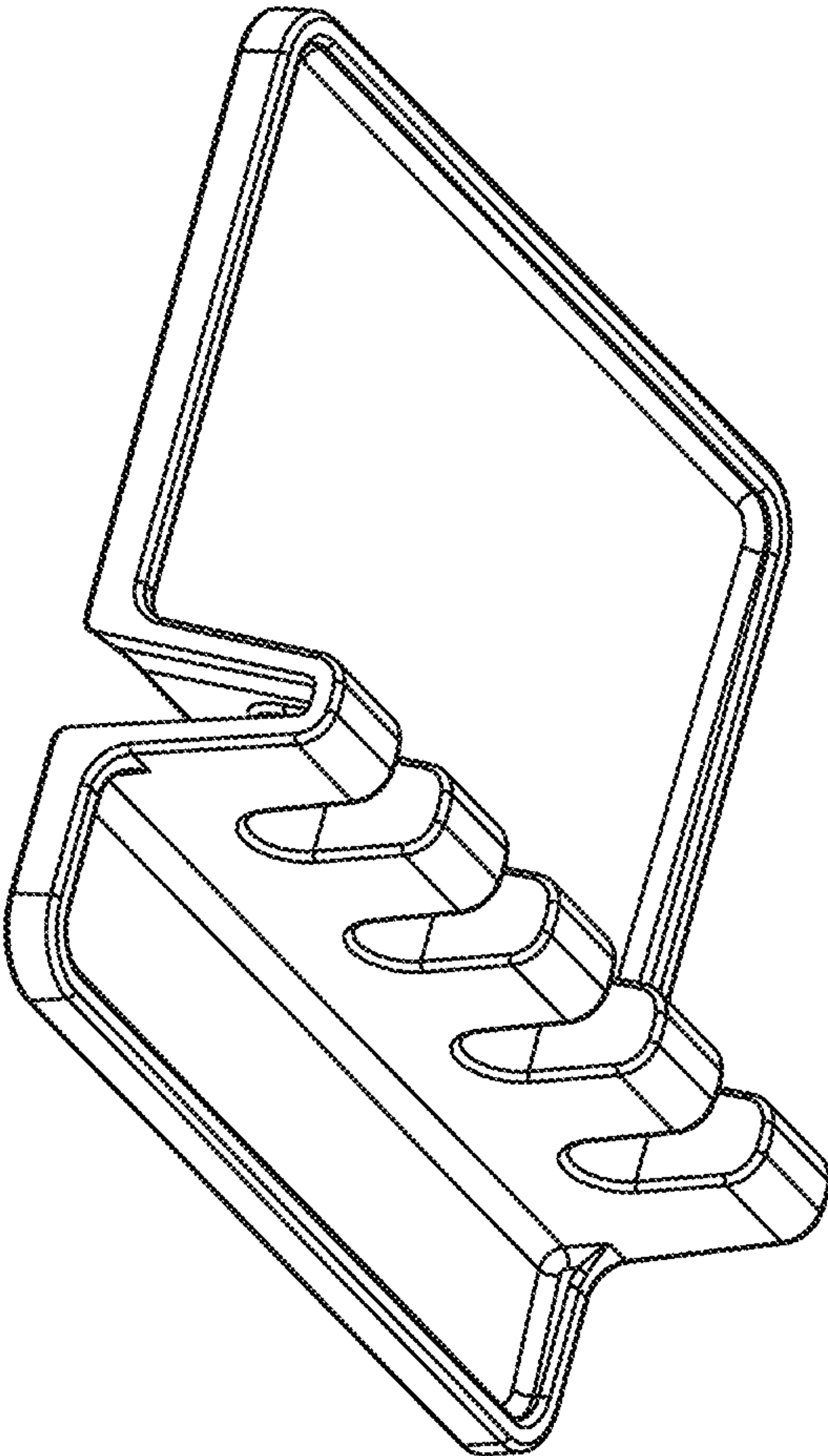


FIGURE 1

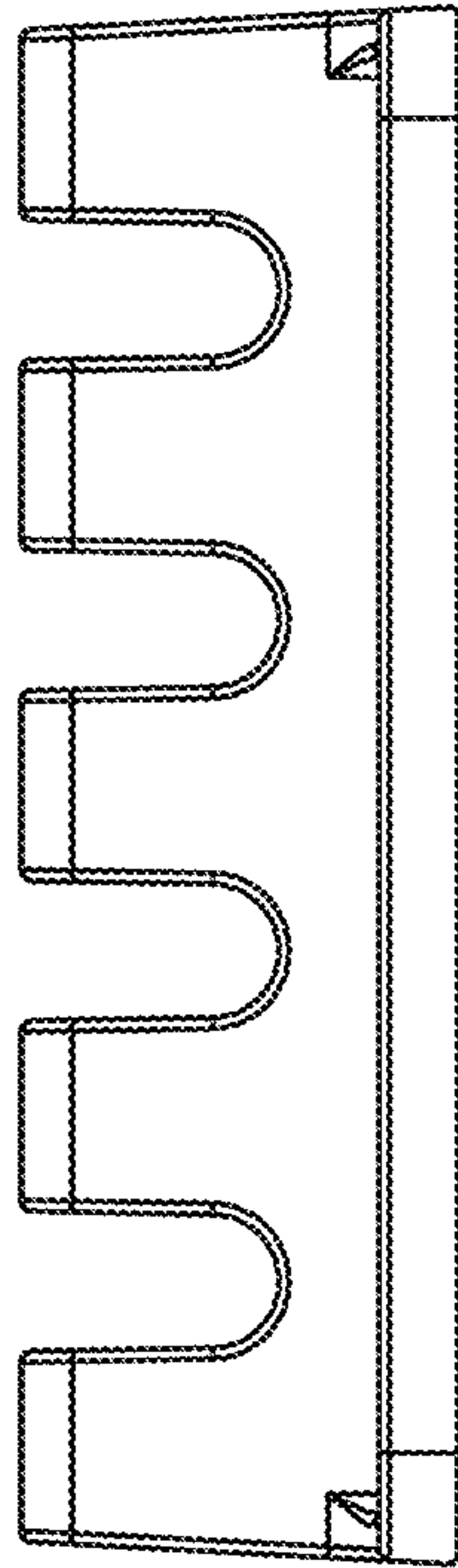


FIGURE 2

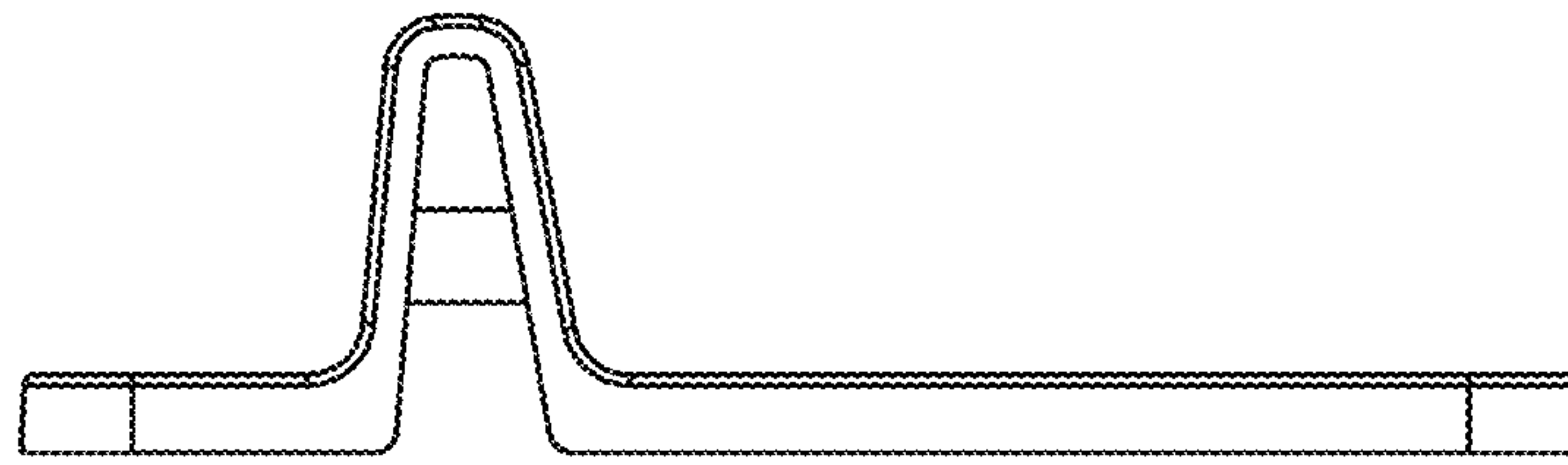


FIGURE 3

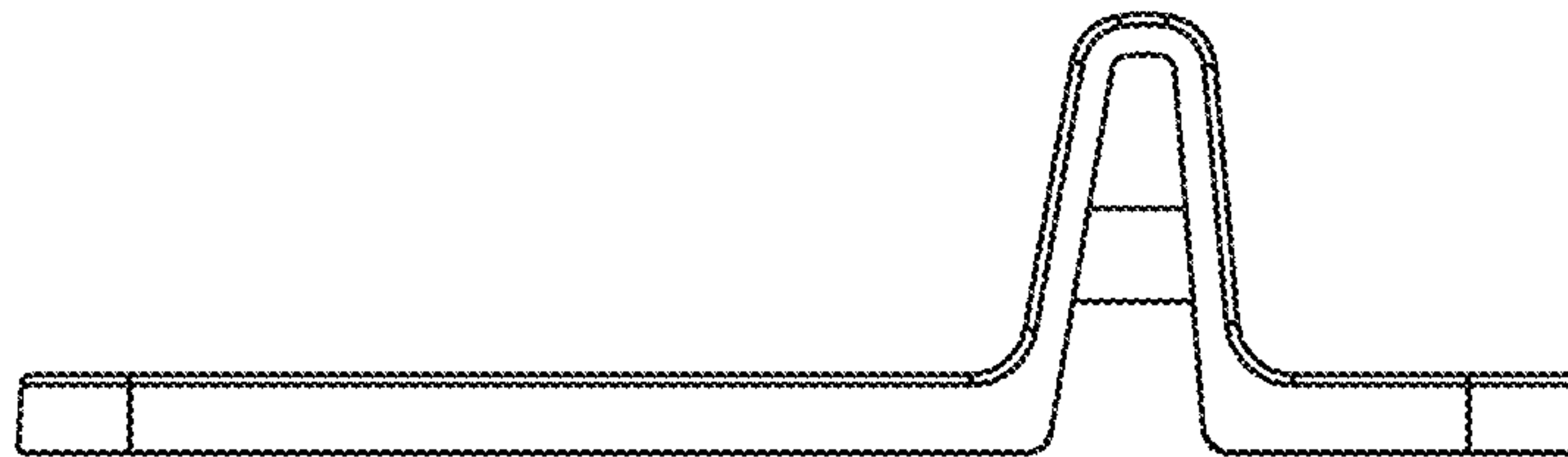


FIGURE 4

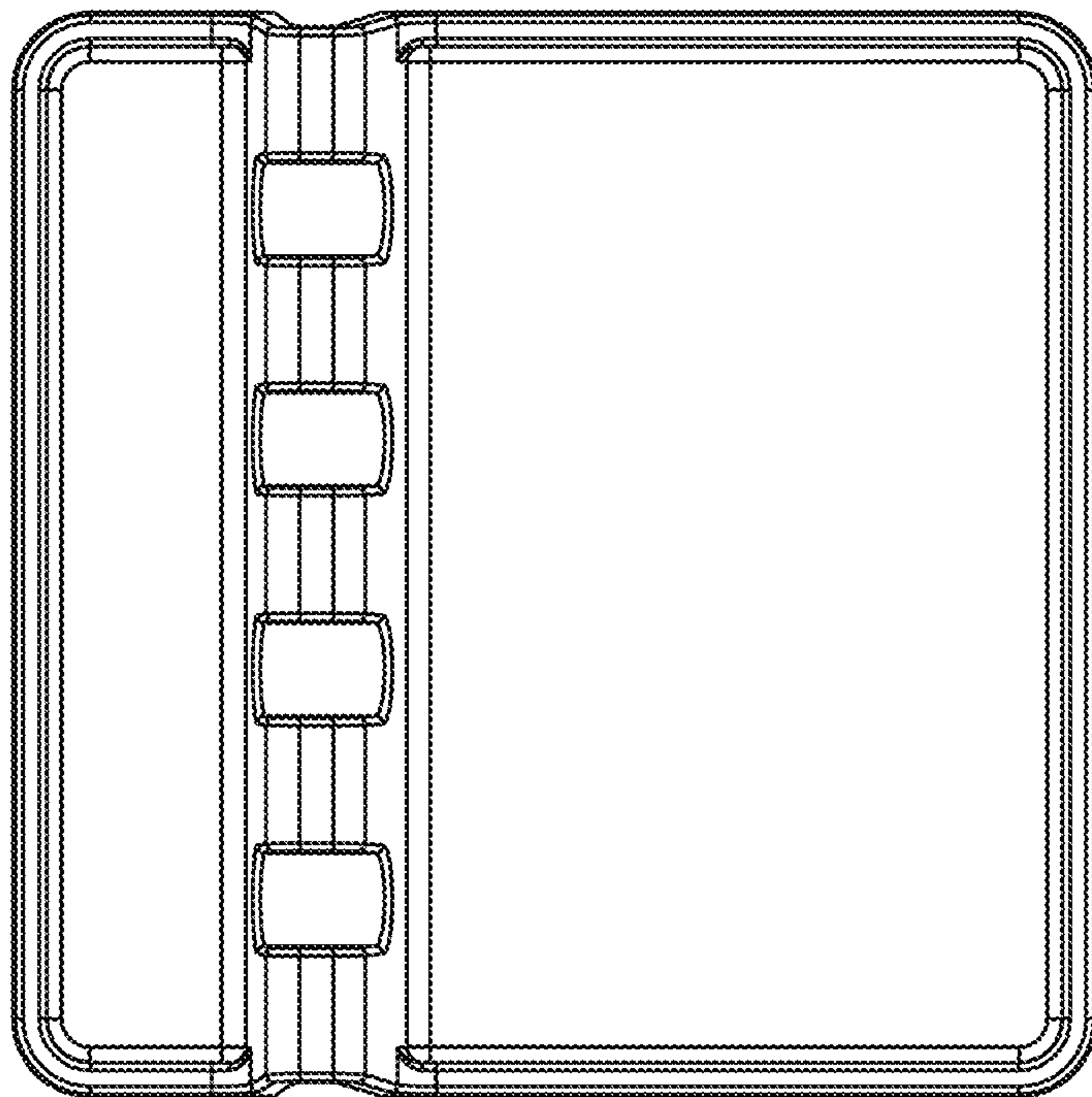


FIGURE 5

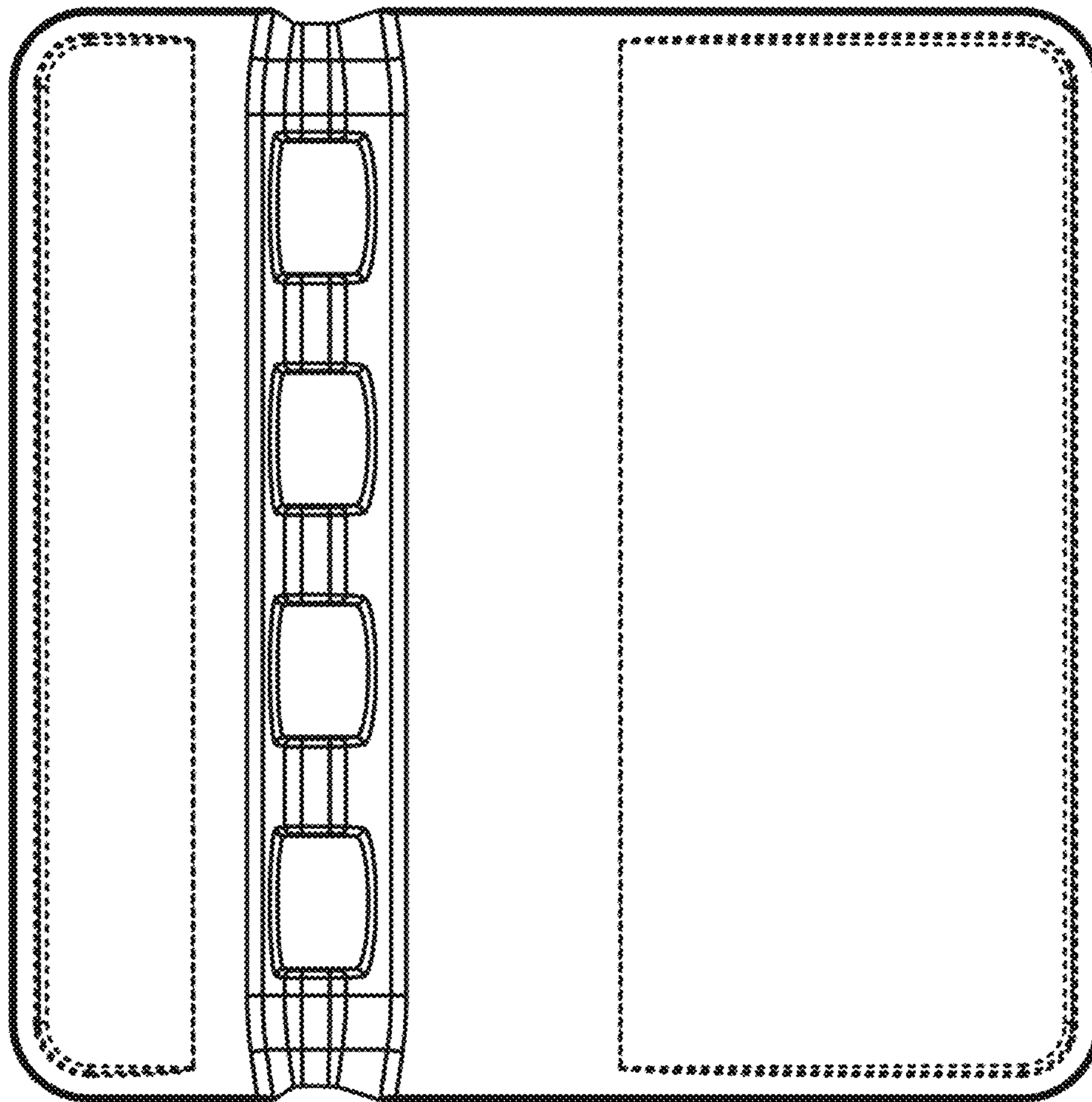


FIGURE 6

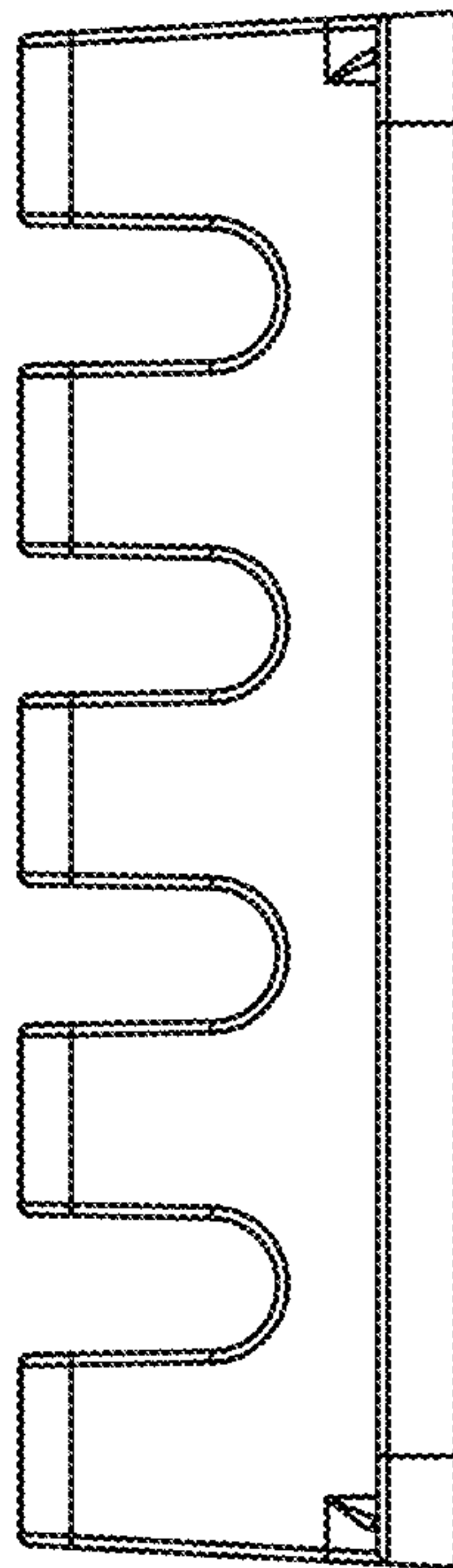


FIGURE 7