



US00D904831S

(12) **United States Design Patent** (10) **Patent No.:** **US D904,831 S**
Shah (45) **Date of Patent:** **** Dec. 15, 2020**

(54) **WATER JUG**

(71) Applicant: **Tokyo Plast International Ltd.,**
Mumbai (IN)

(72) Inventor: **Haresh Shah,** Mumbai (IN)

(73) Assignee: **TOKYO PLAST INTERNATIONAL LTD.,** Mumbai (IN)

(**) Term: **15 Years**

(21) Appl. No.: **29/695,631**

(22) Filed: **Jun. 20, 2019**

(51) **LOC (12) Cl.** **07-01**

(52) **U.S. Cl.**
USPC **D7/608**

(58) **Field of Classification Search**
USPC D7/605-608, 300, 312, 313
CPC B65D 81/3837; B65D 81/3839; B65D
81/3841; B65D 81/3844; B65D 81/3846;
B65D 81/3869; B65D 23/104; A47J
41/0005; A47J 41/0083; A47J 41/02;
A47J 41/024; A47J 41/026; A47J 41/028;
A47J 41/0077; A47J 41/00; A47J 41/022;
F25D 2331/803; F25D 3/08; A45C 11/20

See application file for complete search history.

(56) **References Cited**

U.S. PATENT DOCUMENTS

D261,088 S *	10/1981	Akimov	D7/608
4,537,044 A *	8/1985	Putnam	A45C 11/20 220/902
D551,895 S *	10/2007	Allen	D34/39
D710,653 S *	8/2014	Goto	D7/608
2015/0107293 A1 *	4/2015	Encinas	F25D 3/08 62/457.7

* cited by examiner

Primary Examiner — Terry A Wallace

(74) *Attorney, Agent, or Firm* — Notaro, Michalos & Zaccaria P.C.

(57) **CLAIM**

The ornamental design for a water jug, as shown and described.

DESCRIPTION

FIG. 1 is a front elevational view of a water jug as shown and described;

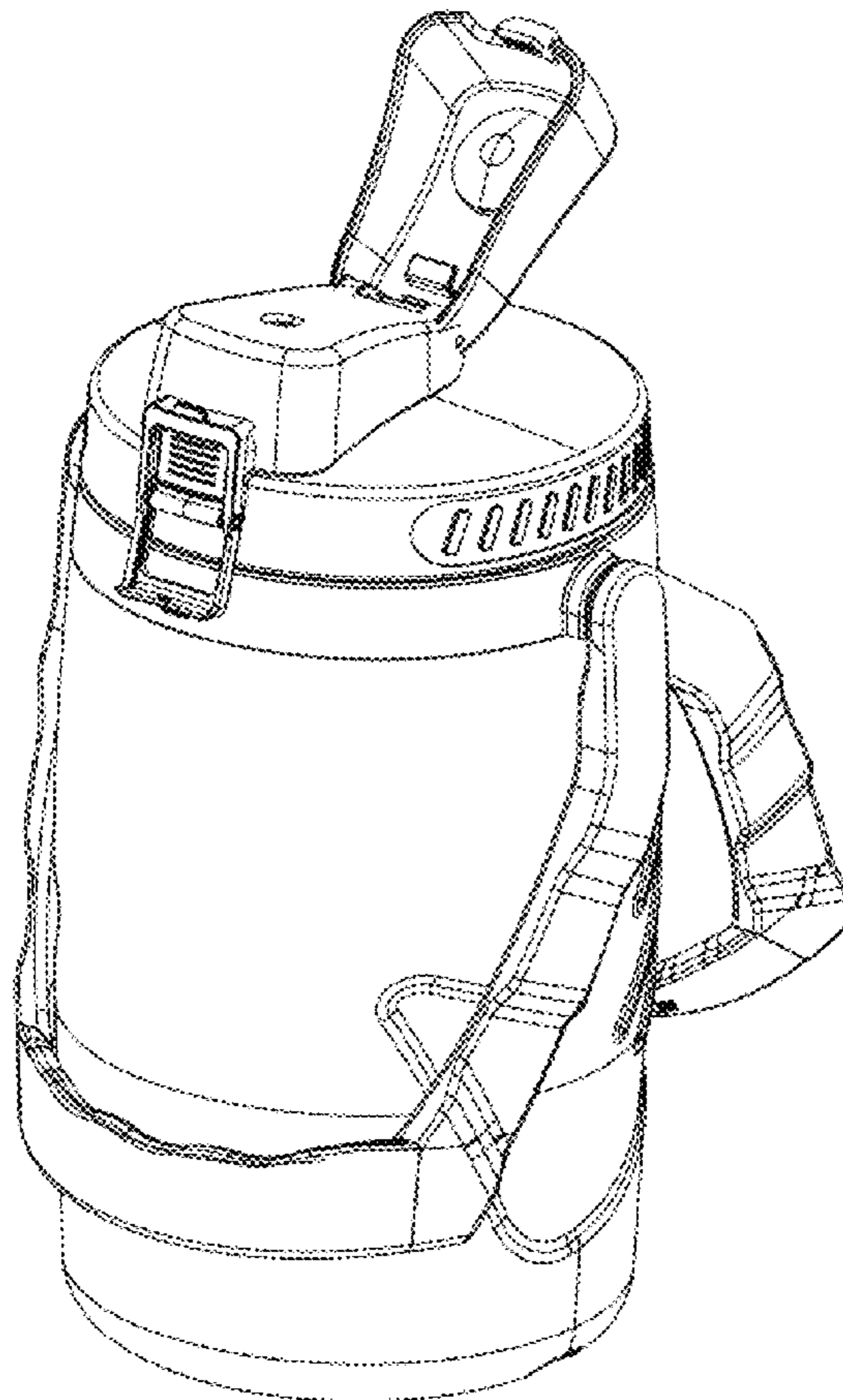
FIG. 2 is a left side elevational view, the right side being identical thereto;

FIG. 3 is a front, left, top perspective view thereof;

FIG. 4 is a top plan view thereof; and,

FIG. 5 is a bottom plan view thereof.

1 Claim, 5 Drawing Sheets



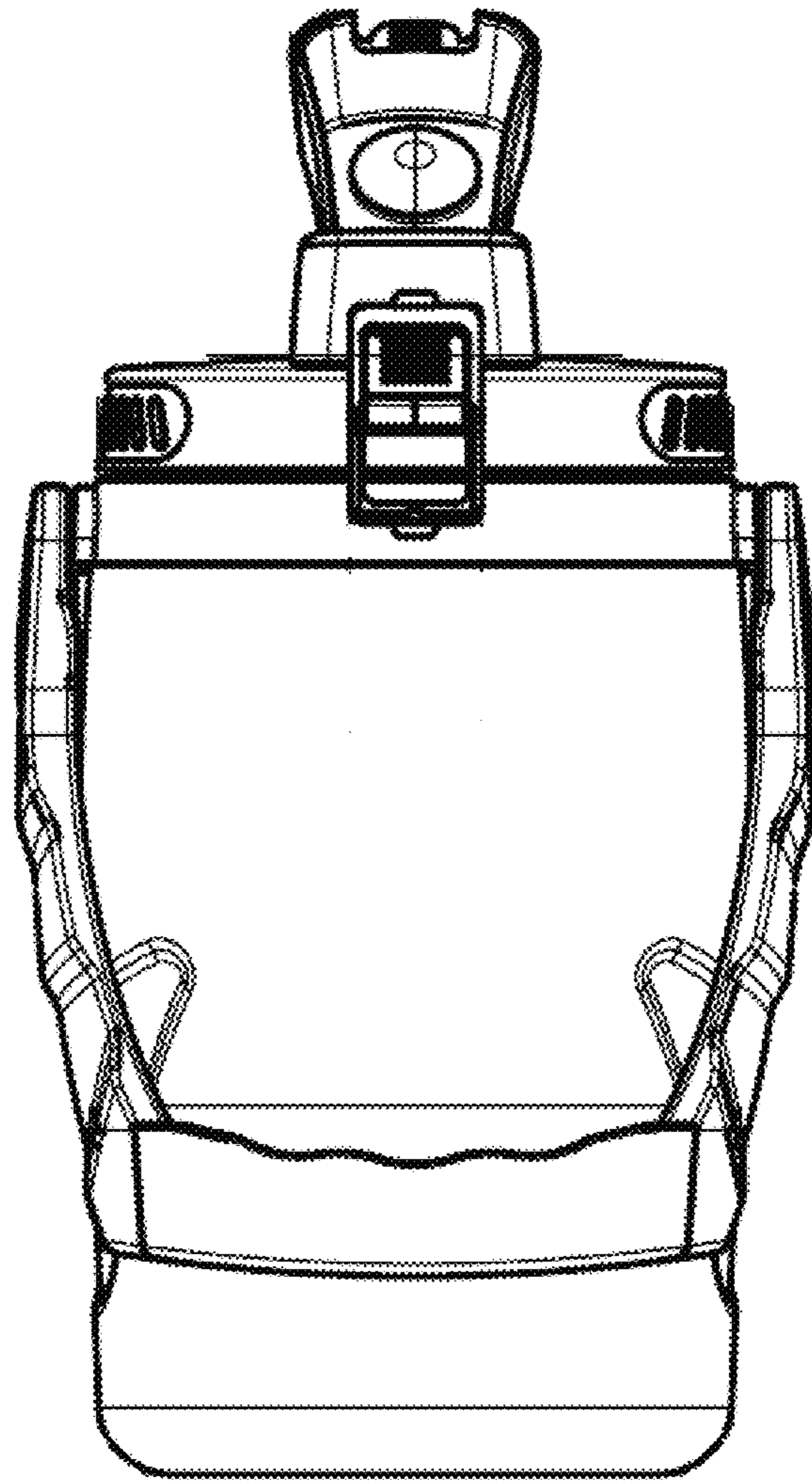


FIG. 1

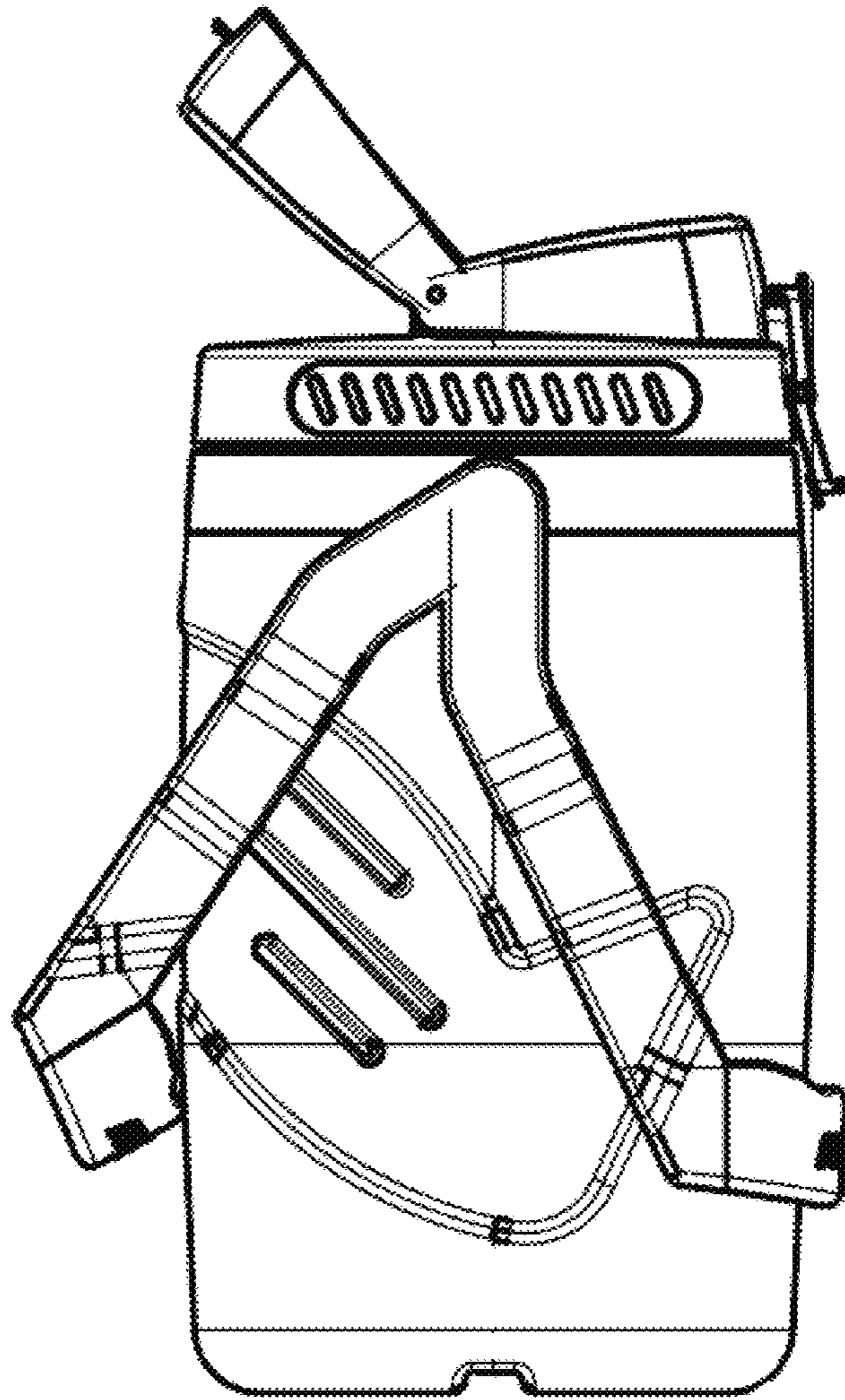


FIG. 2

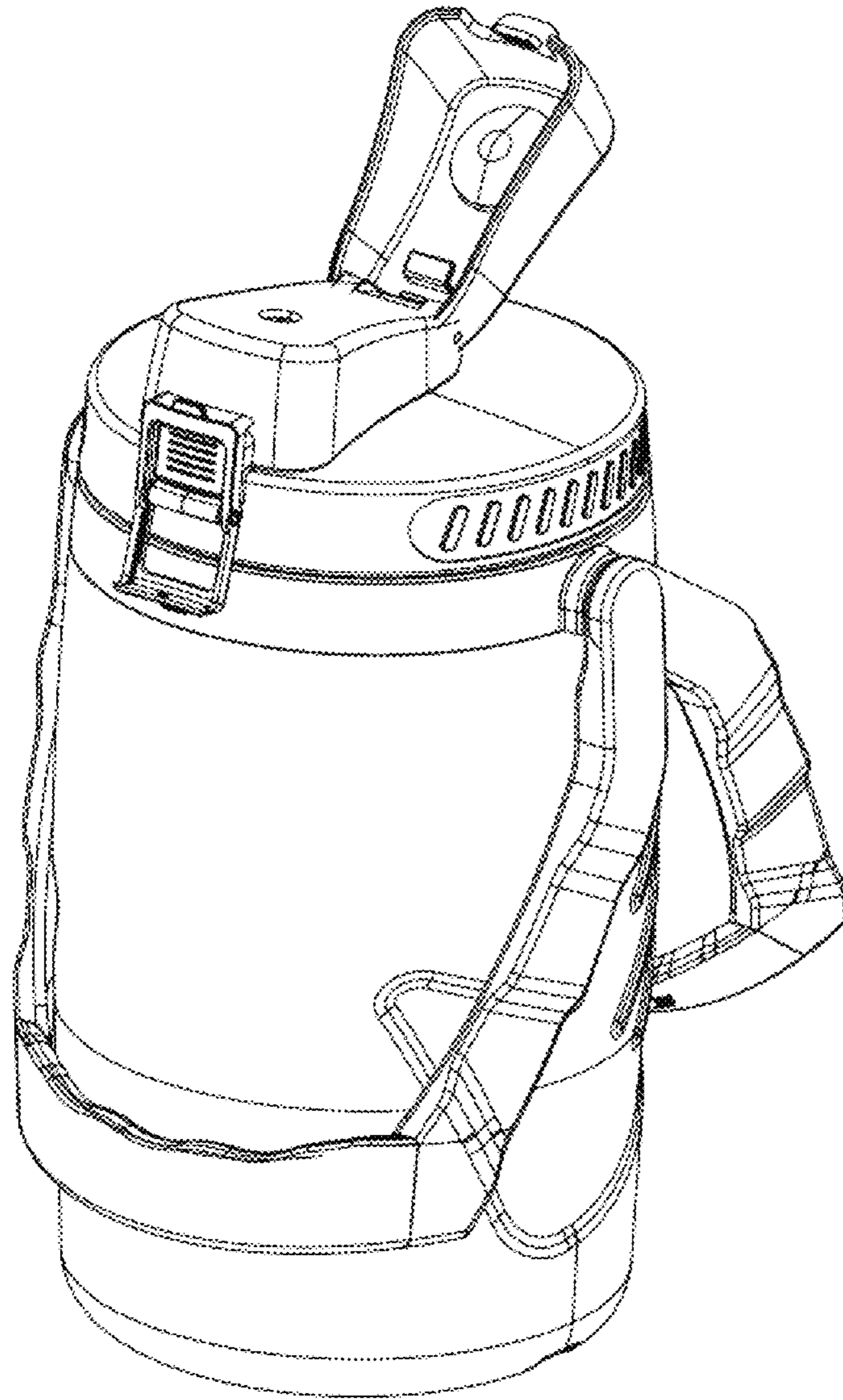


FIG. 3

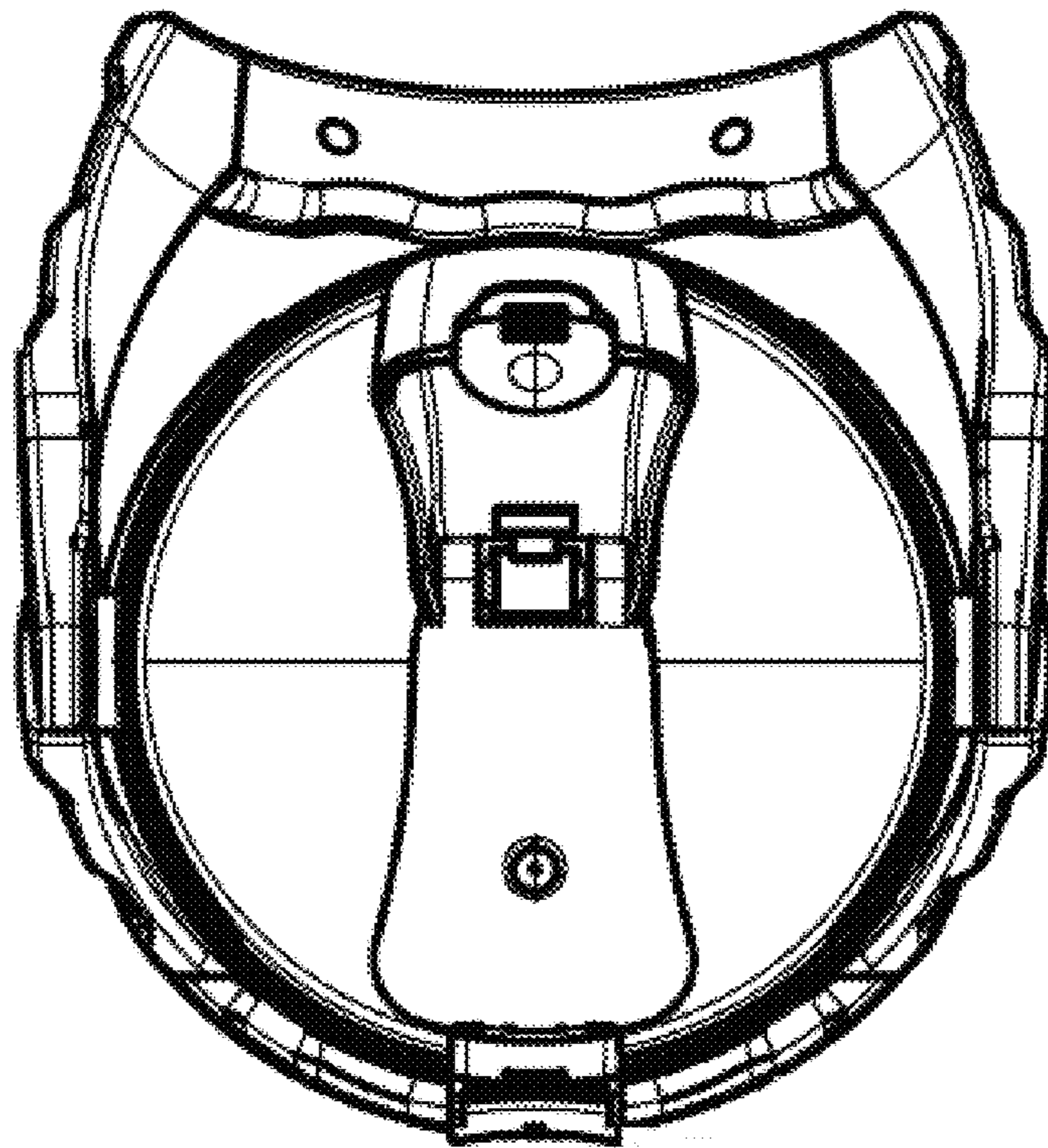


FIG. 4

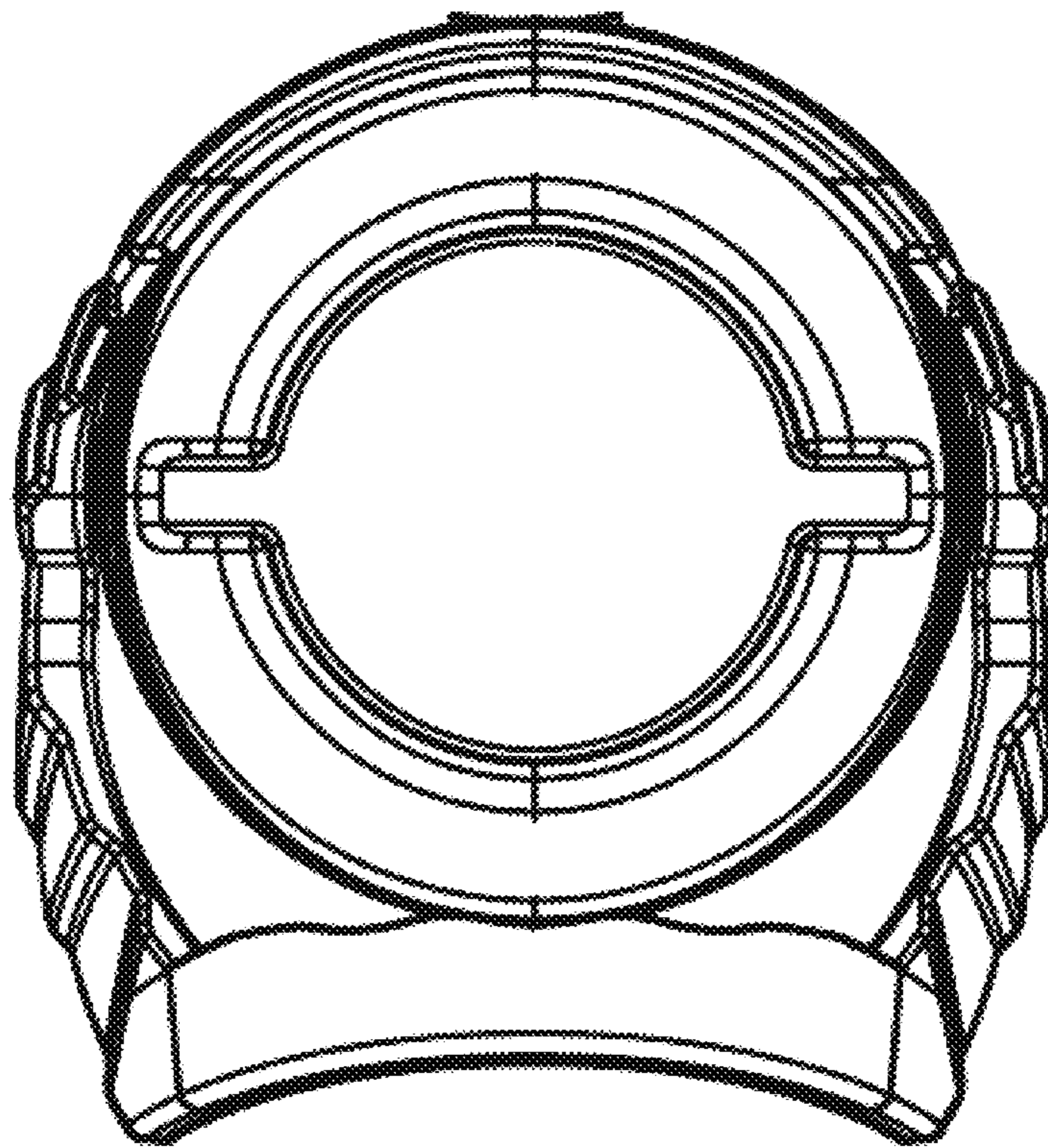


FIG. 5