

US D904,829 S

4,249,760 A	2/1981	Conley		D355,568 S	2/1995	Paulin et al.
4,254,850 A	3/1981	Knowles		5,390,811 A	2/1995	Ogino et al.
4,273,223 A	6/1981	Tomlinson		5,402,557 A	4/1995	Dalen
4,343,412 A	8/1982	Wilcox et al.		D358,765 S	5/1995	Dickinson et al.
4,351,165 A	9/1982	Gottsegen et al.		5,419,432 A	5/1995	Ingram
4,446,705 A	5/1984	Loucks		5,423,644 A	6/1995	First, Sr.
4,465,189 A	8/1984	Molzan		5,427,308 A	6/1995	Swift et al.
4,476,988 A	10/1984	Tanner		D359,836 S	7/1995	Shuler
4,509,622 A	4/1985	Morszeck		5,431,263 A	7/1995	Nordstrom
4,515,421 A *	5/1985	Steffes	A45C 11/20	5,435,256 A	7/1995	Svehaug
			312/351	D361,888 S	9/1995	Kahl et al.
4,516,686 A	5/1985	Chaussepied		5,454,477 A	10/1995	Bomhorst et al.
4,522,312 A	6/1985	Rathgeber et al.		D364,426 S	11/1995	Bucaccio
4,523,692 A	6/1985	Lemkin		5,465,985 A	11/1995	Devan et al.
4,550,813 A	11/1985	Browning		5,478,097 A	12/1995	Forma
4,561,526 A	12/1985	Winter et al.		D367,360 S	2/1996	Wolff
4,573,202 A	2/1986	Lee		D368,161 S	3/1996	Miller
4,575,109 A	3/1986	Cowdery		D369,342 S	4/1996	Williams
4,592,482 A	6/1986	Seager		D369,695 S	5/1996	Imotani
4,615,464 A	10/1986	Byrns		5,518,139 A	5/1996	Trower et al.
4,662,188 A	5/1987	Hullihan		5,519,919 A	5/1996	Lee
4,673,207 A	6/1987	Reynolds et al.		D370,619 S	6/1996	Hall et al.
4,706,344 A	11/1987	Tanaka et al.		D371,051 S	6/1996	Melk
4,707,011 A	11/1987	McKim, Jr.		D371,052 S	6/1996	Melk
4,712,657 A	12/1987	Myers et al.		5,524,737 A	6/1996	Wang
4,746,008 A	5/1988	Heverly et al.		5,526,953 A	6/1996	Chieng
4,768,815 A	9/1988	Harmon		D371,724 S	7/1996	Melk
4,775,072 A	10/1988	Lundblade et al.		D371,942 S	7/1996	Lippincott et al.
4,802,344 A	2/1989	Livingston et al.		5,533,231 A	7/1996	Bai
4,805,272 A	2/1989	Yamaguchi		D373,514 S	9/1996	Melk
4,826,060 A	5/1989	Hollingsworth		D373,515 S	9/1996	Melk
4,858,444 A	8/1989	Scott		5,564,805 A	10/1996	Dickinson
4,873,841 A	10/1989	Bradshaw et al.		5,568,848 A	10/1996	Liang
4,899,904 A	2/1990	Dooley et al.		5,570,915 A	11/1996	Asadurian
4,904,007 A	2/1990	Woodruff		5,575,362 A	11/1996	Franklin et al.
4,917,261 A	4/1990	Borst		5,603,545 A	2/1997	Benson et al.
4,928,800 A	5/1990	Green et al.		5,620,212 A	4/1997	Bourne et al.
4,930,649 A	6/1990	Moser		5,620,213 A	4/1997	Ellis
4,975,073 A	12/1990	Weisman		5,626,373 A	5/1997	Chambers et al.
4,982,863 A	1/1991	Skillius		5,630,630 A	5/1997	Price et al.
5,011,020 A	4/1991	Stevens et al.		D380,369 S	7/1997	Antonucci
5,014,830 A	5/1991	Seynhaeve		D381,512 S	7/1997	Green
5,024,471 A	6/1991	Kahl et al.		D381,562 S *	7/1997	Westcott D3/309
5,040,834 A	8/1991	Kahl et al.		D381,871 S	8/1997	Melk
5,044,513 A	9/1991	Van Berne		D382,114 S	8/1997	Dickinson et al.
5,062,557 A	11/1991	Mahvi et al.		D383,306 S	9/1997	Pennoyer
5,075,925 A	12/1991	Maloney		D383,603 S	9/1997	Pedlar
5,080,250 A	1/1992	Dickinson et al.		5,662,223 A	9/1997	Syleg.ang.rd
5,096,030 A	3/1992	Espinosa et al.		5,683,097 A	11/1997	Fenton et al.
5,101,541 A	4/1992	Watanabe		5,688,001 A	11/1997	Klein et al.
5,111,920 A	5/1992	Castelli et al.		D387,249 S	12/1997	Mogil
D327,427 S *	6/1992	McCooey	D9/722	D387,558 S	12/1997	Mann et al.
5,117,952 A	6/1992	Suh		D387,626 S	12/1997	Melk
D328,186 S	7/1992	Hanke		5,704,158 A	1/1998	Whiteaker
5,139,294 A	8/1992	Ward et al.		5,718,350 A	2/1998	Williams
5,153,561 A	10/1992	Johnson		D392,510 S	3/1998	Perez
5,165,583 A	11/1992	Kouwenberg		5,727,844 A	3/1998	O'Quinn et al.
5,167,433 A	12/1992	Ryan		5,732,987 A	3/1998	Wright et al.
5,169,018 A	12/1992	Fiore		5,755,311 A	5/1998	Younessian et al.
D333,775 S	3/1993	Krape		5,762,242 A	6/1998	Yost
D334,870 S	4/1993	Griffin		5,762,411 A	6/1998	Yemini
D335,030 S	4/1993	Alfonso		5,769,194 A	6/1998	Chang
5,205,413 A	4/1993	Cautereels et al.		5,797,488 A	8/1998	Yemini
5,213,381 A	5/1993	Anderson		5,803,472 A	9/1998	Lien
5,216,905 A	6/1993	Sersch et al.		5,813,503 A	9/1998	Chang
5,235,830 A	8/1993	Benge		5,816,185 A	10/1998	Ruthrford
D340,167 S	10/1993	Kahl		5,826,718 A	10/1998	Ahern, Jr. et al.
D342,609 S	12/1993	Brightbill		5,826,770 A	10/1998	Chuang
5,269,157 A	12/1993	Ciminelli et al.		5,839,553 A	11/1998	Dorsam
5,282,706 A	2/1994	Anthony et al.		5,860,281 A	1/1999	Coffee et al.
5,313,817 A	5/1994	Meinders		5,865,281 A	2/1999	Wang
D347,971 S	6/1994	Krugman		5,875,948 A	3/1999	Sadler
5,319,937 A	6/1994	Fritsch et al.		5,887,745 A	3/1999	Wood
5,322,178 A	6/1994	Foos		5,896,962 A	4/1999	Smith et al.
5,335,451 A	8/1994	Druzynski		5,901,571 A	5/1999	Whaley
D351,533 S	10/1994	Lynam, Jr.		5,904,269 A	5/1999	Wolff
5,353,946 A	10/1994	Behrend		D410,387 S	6/1999	Jacques
5,358,082 A	10/1994	Armstrong, IV		5,924,303 A	7/1999	Hodosh
5,373,708 A	12/1994	Dumoulin, Jr.		5,933,929 A	8/1999	Kawakami et al.

US D904,829 S

5,934,716 A	8/1999	Koveal et al.	6,508,389 B1	1/2003	Ripoyla et al.
5,940,940 A	8/1999	Tanikoshi et al.	6,520,514 B2	2/2003	Clegg
5,950,368 A	9/1999	Bradford	D471,711 S	3/2003	Addison
5,956,805 A	9/1999	Huang	6,527,309 B1	3/2003	Gaydos et al.
5,957,321 A	9/1999	Jones	6,532,624 B1	3/2003	Yang
D414,673 S	10/1999	Dickinson et al.	D472,431 S	4/2003	Spence, Jr.
5,971,218 A	10/1999	Le	6,543,096 B2	4/2003	Settelmayer et al.
5,975,334 A	11/1999	Mayo	6,547,218 B2	4/2003	Landy
5,984,064 A	11/1999	Byington	6,547,289 B1	4/2003	Greenheck et al.
5,984,326 A	11/1999	Abraham et al.	6,550,592 B1	4/2003	Godshaw et al.
5,984,382 A	11/1999	Bourne et al.	6,554,327 B1	4/2003	Riley
5,988,658 A	11/1999	Ritchie et al.	D474,649 S	5/2003	Spence, Jr.
6,015,072 A	1/2000	Young	6,574,983 B2	6/2003	Smith et al.
D419,767 S	2/2000	Richardson et al.	6,585,090 B2	7/2003	Harvey
D419,768 S	2/2000	Richardson et al.	D477,916 S	8/2003	Nykoluk
D420,221 S *	2/2000	Williams D3/315	D478,782 S	8/2003	Li
6,047,976 A *	4/2000	Wang A45C 5/03	6,612,411 B2	9/2003	Nykoluk et al.
		280/37	6,619,448 B1	9/2003	Wang
6,050,373 A	4/2000	Wonka et al.	D481,293 S	10/2003	Ayrest
6,079,083 A	6/2000	Akashi	6,637,077 B2	10/2003	Doty
6,079,754 A	6/2000	Alexy	6,637,562 B2	10/2003	Oh
D427,882 S	7/2000	Wytcherley et al.	D482,593 S	11/2003	Wolf
D428,698 S	8/2000	Cheng	6,640,397 B1	11/2003	Gipson
6,105,767 A	8/2000	Vasudeva	6,646,864 B2	11/2003	Richardson
6,129,231 A	10/2000	Hsiao et al.	D484,004 S	12/2003	Lee
6,135,253 A	10/2000	Weissman et al.	6,658,903 B1	12/2003	McShane et al.
6,152,501 A	11/2000	Magi et al.	6,679,358 B2	1/2004	Be
D435,780 S	1/2001	Tieu	6,679,359 B2	1/2004	Pfeiffer
6,167,994 B1	1/2001	Kuo et al.	6,691,451 B1	2/2004	Keenan
6,170,122 B1	1/2001	Kuo	D487,348 S	3/2004	Fenton et al.
6,176,499 B1	1/2001	Conrado et al.	6,698,608 B2	3/2004	Parker et al.
6,176,559 B1	1/2001	Tiramani et al.	6,718,559 B1	4/2004	Davidson
6,179,176 B1	1/2001	Saggese et al.	D489,531 S	5/2004	Oh
D441,954 S	5/2001	Parker	D489,595 S	5/2004	Gleichauf et al.
6,234,287 B1	5/2001	Pfeiffer	6,736,265 B2 *	5/2004	Kipper B25H 3/023
6,244,064 B1	6/2001	Powell et al.			206/373
6,244,066 B1	6/2001	LaRose	D490,980 S	6/2004	Concari
6,244,458 B1	6/2001	Frysinger et al.	D491,797 S	6/2004	Eriksson
6,247,203 B1	6/2001	Kuo	D492,184 S	6/2004	Parker et al.
6,247,328 B1	6/2001	Mogil	6,755,448 B2	6/2004	Jackson et al.
6,260,240 B1	7/2001	Akashi et al.	D493,286 S	7/2004	Concari
6,279,971 B1	8/2001	Dessenberger, Jr.	6,757,942 B2	7/2004	Matsui et al.
6,289,554 B1	9/2001	Wang	6,761,366 B1	7/2004	Klemmensen et al.
6,289,684 B1	9/2001	Guidry, II et al.	6,779,681 B2	8/2004	Doerfler et al.
D449,163 S	10/2001	Dahlen et al.	6,789,692 B2	9/2004	Prezelin
6,305,185 B1	10/2001	Sloan	6,793,096 B1	9/2004	Seok
D451,278 S	12/2001	Cooper	D497,480 S	10/2004	Drew et al.
6,343,815 B1	2/2002	Poe	D498,053 S	11/2004	Nordstrom et al.
D454,292 S	3/2002	Plummer et al.	D498,054 S	11/2004	Moon
6,353,978 B1	3/2002	Kawahara et al.	6,821,019 B2	11/2004	Mogil
6,357,080 B1	3/2002	Tsai	D500,598 S	1/2005	Ramos
6,360,400 B1	3/2002	Chang	6,877,189 B2	4/2005	Simonson et al.
6,363,739 B1	4/2002	Hodosh et al.	6,883,208 B1	4/2005	Huang
6,367,602 B1	4/2002	Chang	D505,011 S	5/2005	Einav
6,371,320 B2	4/2002	Sagol	6,895,789 B2	5/2005	Masseth, Jr. et al.
6,371,346 B1	4/2002	Sharma	D508,376 S	8/2005	Bhavnani
6,375,237 B1	4/2002	Koenig	6,929,145 B2	8/2005	Shepler
D457,725 S	5/2002	Parsons	6,955,381 B2	10/2005	Parker et al.
6,389,645 B1	5/2002	Polidoro	6,981,780 B2	1/2006	Einav
6,398,272 B1	6/2002	Plummer et al.	6,983,946 B2	1/2006	Sullivan et al.
6,401,308 B1	6/2002	Kawahara	D515,362 S	2/2006	Chan
6,422,386 B1	7/2002	Wiese et al.	D517,947 S	3/2006	Hollingworth et al.
6,427,475 B1	8/2002	DeFelice et al.	7,017,740 B2	3/2006	Itzkovitch
6,427,501 B2	8/2002	Ramsauer	7,028,730 B2	4/2006	Pace et al.
D462,519 S	9/2002	Gaydos et al.	D520,237 S	5/2006	Cheng
6,446,382 B1	9/2002	Cloutier et al.	7,040,115 B1	5/2006	Lopez et al.
6,446,988 B1	9/2002	Kho	D522,811 S	6/2006	Martinez et al.
D464,485 S	10/2002	Sward et al.	D523,242 S	6/2006	Hardigg et al.
6,467,779 B1	10/2002	Mills	7,066,311 B2	6/2006	O'Shea
6,478,463 B2	11/2002	Snider	D525,714 S	7/2006	Ueda
6,481,239 B2	11/2002	Hodosh et al.	7,082,641 B1	8/2006	Jung et al.
D466,439 S	12/2002	Wagner et al.	7,093,699 B2	8/2006	Yu
D467,424 S	12/2002	Hardigg et al.	D528,800 S	9/2006	Liu et al.
D467,425 S	12/2002	Hardigg et al.	D530,095 S	10/2006	Herzberg
D467,426 S	12/2002	Hardigg et al.	7,162,890 B2	1/2007	Mogil et al.
6,497,311 B2	12/2002	Tiramani et al.	D537,251 S *	2/2007	Musgrove D3/201
6,497,438 B1	12/2002	Holub et al.	7,171,731 B1	2/2007	Borcherding
6,499,574 B1	12/2002	Anthony	D539,543 S	4/2007	Wu
6,502,677 B1	1/2003	Tiramani et al.	D540,540 S	4/2007	Szyf et al.

US D904,829 S

D540,651 S	4/2007	Wolf		7,806,287 B2	10/2010	Rouns
D540,652 S	4/2007	Wolf		D626,451 S	11/2010	Helwig et al.
D544,211 S	6/2007	Herzberg		D627,162 S	11/2010	Weng
7,237,660 B2	7/2007	Wu		D627,199 S	11/2010	Pruchnicki
7,246,704 B2	7/2007	Brunson et al.		7,841,207 B2	11/2010	Mogil et al.
7,246,718 B2	7/2007	Einav et al.		D629,200 S	12/2010	Turella-Yuan et al.
D552,352 S	10/2007	Lin		7,854,321 B2	12/2010	Twig et al.
7,284,393 B1 *	10/2007	Macmillan	B62B 1/22 62/457.7	D630,435 S	1/2011	Brunner
				7,861,552 B1	1/2011	Hughes
7,284,763 B1	10/2007	King		7,861,834 B2	1/2011	Gorga et al.
D555,902 S	11/2007	Pendergraph et al.		7,874,047 B2	1/2011	Breeden
7,296,434 B2	11/2007	Scroggs		7,874,408 B2	1/2011	Suppancig
7,306,243 B2	12/2007	Van Horn et al.		D633,300 S	3/2011	Fair
7,309,106 B2	12/2007	Stallman		D634,545 S	3/2011	Fair
D562,646 S	2/2008	Lown et al.		7,909,148 B1	3/2011	Miller et al.
7,334,680 B2	2/2008	Cunningham et al.		D635,366 S	4/2011	Luburic
7,334,802 B2	2/2008	Kaplan		D636,292 S	4/2011	Brown
D563,101 S	3/2008	Kuchler		7,922,052 B2	4/2011	Podsusch
7,344,028 B2	3/2008	Hanson		D637,811 S	5/2011	Hong
D566,479 S	4/2008	Kabalin		7,937,884 B1	5/2011	Naylor et al.
7,367,451 B2	5/2008	Pendergraph et al.		7,959,194 B2	6/2011	Mahoney
7,370,891 B1	5/2008	Schmitt et al.		D642,379 S	8/2011	Buller
D570,601 S	6/2008	Drew et al.		D643,624 S	8/2011	Hong
D570,603 S	6/2008	Wu et al.		7,997,591 B2	8/2011	Arthur
7,387,350 B2	6/2008	Killinger et al.		D644,434 S	9/2011	Miles et al.
D572,577 S	7/2008	Hatton		8,016,153 B2	9/2011	Boenig et al.
7,397,674 B2	7/2008	Schlack		D646,528 S	10/2011	Stallman et al.
D574,150 S	8/2008	Ross		8,037,983 B2	10/2011	Leung
D574,667 S	8/2008	Grabijas, III et al.		D648,538 S	11/2011	Reinhart et al.
D575,059 S	8/2008	Cappiello et al.		D650,585 S	12/2011	Jamison et al.
7,415,794 B1	8/2008	Thompson		8,091,731 B2	1/2012	Kidd et al.
7,418,311 B1 *	8/2008	Lagassey	G07F 9/026 221/150 R	8,096,152 B2	1/2012	Wagh et al.
				8,096,442 B2	1/2012	Ramundi
D578,758 S	10/2008	Stevens et al.		8,099,836 B2	1/2012	Breeden et al.
D579,202 S	10/2008	Grenier et al.		D654,694 S	2/2012	Wu
7,434,410 B2	10/2008	Ford		8,141,211 B2	3/2012	Weyer et al.
7,441,641 B2	10/2008	Beakey		D659,395 S	5/2012	Sijmons
D581,161 S	11/2008	Tong		D660,000 S	5/2012	Peterson et al.
D582,678 S	12/2008	Rekuc et al.		8,167,166 B2	5/2012	Kidd et al.
7,458,481 B2	12/2008	Yuen		8,176,749 B2	5/2012	LaMere et al.
7,461,871 B2	12/2008	Vauchel		8,191,747 B2	6/2012	Pruchnicki
7,475,782 B2	1/2009	Lombardi		8,210,353 B2	7/2012	Epicureo
D587,902 S	3/2009	Yoneno		8,214,972 B2	7/2012	Lai
7,503,439 B2	3/2009	O'Shea et al.		D664,891 S	8/2012	Takeda
D590,694 S	4/2009	Stuckey		D665,166 S	8/2012	Khalifa et al.
7,516,520 B2	4/2009	Kelaher et al.		D666,002 S	8/2012	Lai
7,516,842 B2	4/2009	Gu		8,245,868 B2	8/2012	Ikeda et al.
D591,511 S	5/2009	Wu		8,251,113 B2	8/2012	Baxter
7,530,405 B2	5/2009	Kollath et al.		8,251,245 B2	8/2012	DiPietro et al.
7,533,782 B2	5/2009	Parker et al.		D666,831 S	9/2012	Kinsky et al.
7,540,364 B2	6/2009	Sanderson		D666,832 S	9/2012	Kinsky et al.
7,549,652 B2	6/2009	Jku		D667,697 S	9/2012	Shah
D596,400 S	7/2009	Chu et al.		8,256,156 B1	9/2012	Burgoyne, Jr.
D597,652 S	8/2009	Tang		D668,049 S	10/2012	Buller
7,568,739 B2	8/2009	Lee		8,286,828 B2	10/2012	Schafer
7,571,915 B1	8/2009	Simmons		8,287,009 B2	10/2012	Dane et al.
D600,912 S	9/2009	Brunner		8,292,119 B2	10/2012	Kenneally
7,581,656 B2	9/2009	Gnepper et al.		8,297,464 B2	10/2012	Grenier et al.
D602,252 S	10/2009	Ehret		D670,502 S	11/2012	Wu
7,604,290 B1	10/2009	Giordano		8,328,247 B2	12/2012	Tonelli
7,607,540 B2	10/2009	Ballard		8,336,708 B2	12/2012	Potterfield et al.
D607,697 S	1/2010	Whitlock et al.		D674,192 S	1/2013	Li
D608,159 S	1/2010	Whitlock et al.		8,342,580 B2	1/2013	Cowie et al.
D608,601 S	1/2010	Whitlock et al.		8,378,323 B1	2/2013	Spann et al.
D610,349 S	2/2010	Ehret		8,382,171 B2	2/2013	Williams
7,658,269 B2	2/2010	Wu		D677,896 S	3/2013	Wu
7,669,436 B2	3/2010	Mogil et al.		D678,749 S	3/2013	Tung
7,688,584 B1	3/2010	Becklin		D678,750 S	3/2013	Tung
D613,560 S	4/2010	Robichaud et al.		8,424,930 B2	4/2013	Matsubara et al.
7,703,588 B2	4/2010	Chiang		8,430,284 B2	4/2013	Broadbent et al.
7,722,204 B1	5/2010	Sandberg		D681,337 S	5/2013	Wu
D617,561 S	6/2010	Salerno-Tortora		8,459,058 B2	6/2013	Mogil
7,735,261 B2	6/2010	Sellati		8,459,422 B1	6/2013	Efron
D618,966 S	7/2010	Koehler et al.		8,459,487 B2	6/2013	Sharma et al.
D619,423 S	7/2010	Koehler et al.		8,459,495 B2	6/2013	Koenig et al.
D619,854 S	7/2010	Koehler et al.		D685,186 S	7/2013	Massaud
D619,855 S	7/2010	Koehler et al.		8,474,098 B1	7/2013	Yang
7,748,232 B2	7/2010	Kang		8,484,813 B2	7/2013	Taniguchi et al.
D624,315 S	9/2010	Amatrudo		8,490,413 B2	7/2013	Blackway et al.

US D904,829 S

8,496,133 B2	7/2013	Mizukoshi et al.		D722,771 S	2/2015	Wu
D688,589 S *	8/2013	Hung	D11/148	D722,860 S	2/2015	Linares
8,505,729 B2	8/2013	Sosnovsky et al.		8,944,476 B1	2/2015	Henderson
8,517,211 B2	8/2013	Brown et al.		8,960,430 B2	2/2015	Roach et al.
D688,920 S	9/2013	Manley et al.		8,960,735 B2	2/2015	Michael et al.
D691,808 S	10/2013	Wu		D724,323 S	3/2015	Wang
8,544,648 B2	10/2013	Cleveland et al.		8,979,100 B2	3/2015	Bensman et al.
8,561,264 B2	10/2013	Hasegawa et al.		8,979,101 B2	3/2015	Primiano
8,561,269 B2	10/2013	LeCompte et al.		8,979,144 B2	3/2015	Paugh et al.
8,567,631 B2	10/2013	Brunner		8,985,326 B2	3/2015	Halsne et al.
8,567,796 B2	10/2013	Bar-Erez et al.		8,985,385 B2	3/2015	Parker et al.
8,572,821 B2	11/2013	Hasegawa		D725,907 S	4/2015	Yu
8,573,399 B2	11/2013	Ulmer et al.		D727,620 S *	4/2015	Tonelli D3/276
8,590,704 B2	11/2013	Koenig et al.		9,004,274 B2	4/2015	Thornberg
8,590,724 B2	11/2013	Kreidler et al.		9,004,548 B2	4/2015	Joret et al.
8,596,485 B2	12/2013	Lindsay		D728,933 S	5/2015	Sanz et al.
8,596,487 B1	12/2013	Su		D730,050 S	5/2015	Hogan et al.
8,601,838 B2	12/2013	Hansen et al.		9,027,751 B2	5/2015	Lee
8,616,600 B2	12/2013	Owen		D730,716 S	6/2015	Weinerman et al.
D697,717 S	1/2014	Santy		D731,250 S	6/2015	Butler et al.
8,622,235 B2	1/2014	Suchecky		D732,348 S	6/2015	Seiders et al.
8,627,972 B2	1/2014	Thomas		D732,349 S	6/2015	Seiders et al.
D699,100 S	2/2014	Moreau et al.		D732,350 S	6/2015	Seiders et al.
D699,438 S	2/2014	Mathieu et al.		D732,823 S	6/2015	Baron
8,640,937 B2	2/2014	Pruchnicki		D732,899 S	6/2015	Seiders et al.
8,677,661 B2	3/2014	Michels et al.		D732,923 S	6/2015	Rechberg et al.
8,678,227 B2	3/2014	Patstone		9,045,264 B2	6/2015	Pils
D701,697 S	4/2014	Sabbag et al.		9,060,577 B2	6/2015	Farrelly et al.
D703,435 S	4/2014	Wile et al.		9,067,081 B2	6/2015	Roach et al.
8,683,660 B2	4/2014	Hasegawa et al.		D734,742 S	7/2015	Fujioka
8,689,396 B2	4/2014	Wolfe et al.		9,079,595 B2	7/2015	Chen et al.
8,714,568 B2	5/2014	Allam et al.		9,085,403 B2	7/2015	Roach et al.
8,740,010 B1	6/2014	Page		9,101,186 B2	8/2015	Lai
8,757,642 B2	6/2014	Arthur et al.		9,108,772 B2	8/2015	Hovatter
8,757,643 B2	6/2014	Arthur et al.		9,113,686 B1	8/2015	Bishop
8,757,696 B2	6/2014	Schneider		9,114,909 B2	8/2015	Wagner
D709,336 S	7/2014	Liebenthal		D738,702 S	9/2015	Linares
D709,696 S	7/2014	Wu		9,139,352 B2	9/2015	Seiders et al.
8,763,848 B2	7/2014	Carey		D740,557 S	10/2015	Liao
8,763,851 B2	7/2014	Jiang et al.		D740,558 S	10/2015	Liao
8,770,426 B2	7/2014	Arnett et al.		9,163,871 B1	10/2015	Costello
8,777,045 B2	7/2014	Mitchell et al.		9,169,678 B2	10/2015	Rozema
D710,099 S	8/2014	Horovitz et al.		D743,171 S	11/2015	Reinhart
D710,610 S	8/2014	Sijmons et al.		9,187,210 B2	11/2015	Zhu et al.
D710,614 S	8/2014	Meersschaert		9,193,060 B2	11/2015	Ben-Gigi
D711,104 S	8/2014	Lai		D744,750 S	12/2015	Sabbag et al.
D711,646 S	8/2014	Ke		9,198,492 B2	12/2015	Chehebar
D711,647 S	8/2014	Chen		9,199,370 B2	12/2015	Crull
D711,648 S	8/2014	Chen		9,199,657 B2	12/2015	Martin
D711,649 S	8/2014	Chen		9,204,699 B2	12/2015	Pickens et al.
D712,143 S	9/2014	Chehebar		9,205,551 B2	12/2015	Green et al.
D714,056 S	9/2014	Weng		9,211,040 B2	12/2015	Lane
D714,057 S	9/2014	Hou		9,215,918 B2	12/2015	Kao et al.
D714,064 S	9/2014	Kim		D747,639 S	1/2016	Linares
8,844,749 B2	9/2014	Manahan et al.		D747,950 S	1/2016	Jacobsen et al.
8,844,950 B2	9/2014	Greene et al.		D747,951 S	1/2016	Jacobsen et al.
8,850,666 B2	10/2014	Hasegawa et al.		9,233,465 B2	1/2016	Lai
8,851,282 B2	10/2014	Brunner		D748,452 S	2/2016	Jacobsen et al.
8,851,289 B2	10/2014	Shi		9,248,566 B2	2/2016	Horiyama et al.
8,857,654 B2	10/2014	Mogil et al.		9,254,901 B2	2/2016	Gill
8,863,975 B2	10/2014	McCanless		9,259,090 B1	2/2016	Cronin
8,864,185 B2	10/2014	Do		9,259,593 B2	2/2016	Roach et al.
8,864,189 B2	10/2014	Fournie et al.		9,259,828 B2	2/2016	Bermes
D717,152 S	11/2014	Weinerman et al.		9,266,462 B2	2/2016	Miller
D718,051 S	11/2014	Frahm et al.		D750,953 S	3/2016	Jacobsen et al.
8,875,877 B2	11/2014	Cottle et al.		D752,344 S	3/2016	Green
8,875,888 B2	11/2014	Koenig et al.		9,272,820 B2	3/2016	Cowie
8,875,934 B2	11/2014	Deka		9,278,704 B2	3/2016	Cates
8,881,930 B2	11/2014	Banik		9,290,297 B2	3/2016	Overath
8,887,515 B2	11/2014	Patstone		D752,862 S	4/2016	Riddiford et al.
D718,936 S	12/2014	Sanz et al.		9,307,840 B2	4/2016	Restrepo et al.
D719,351 S	12/2014	Hailwood		9,322,192 B2	4/2016	Burd
8,905,412 B2	12/2014	Fux		D755,518 S	5/2016	Sijmons
8,910,788 B2	12/2014	Roach et al.		9,327,887 B2	5/2016	Farentinos et al.
8,910,819 B2	12/2014	Seiders		9,340,224 B2	5/2016	Yoder et al.
8,919,596 B2	12/2014	Carino		9,341,003 B2	5/2016	Ely et al.
D720,599 S	1/2015	Weinerman et al.		9,341,403 B2	5/2016	Conrad et al.
D720,928 S	1/2015	Roncato		9,346,616 B2	5/2016	Foster
8,925,752 B2	1/2015	Smith		9,351,550 B2	5/2016	Arthur et al.

US D904,829 S

D759,971 S	6/2016	Riddiford et al.	D811,744 S	3/2018	Ballou et al.
9,359,798 B2	6/2016	Greenwood et al.	D812,909 S	3/2018	Morszeck
9,376,050 B1	6/2016	Gill	9,913,518 B2	3/2018	Su
9,387,963 B2	7/2016	McBroom et al.	D814,187 S	4/2018	Caglar
9,393,684 B2	7/2016	Christopher et al.	D815,831 S	4/2018	Tonelli
D762,471 S	8/2016	Green et al.	D815,919 S	4/2018	DeFrancia
D762,977 S	8/2016	Xu	D816,337 S	5/2018	Cheng
9,408,449 B1	8/2016	Tsai	D816,492 S	5/2018	Reinhart
9,415,787 B2	8/2016	Mericle	D817,722 S	5/2018	Bradley
9,427,058 B2	8/2016	Boglione	D818,712 S	5/2018	Fleming et al.
D765,397 S	9/2016	Reinhart	9,968,170 B2	5/2018	Morszeck
D765,406 S	9/2016	Faibish	D819,331 S	6/2018	Ballou et al.
D765,407 S	9/2016	Reinhart	D820,049 S	6/2018	Ahlstrom et al.
D765,408 S	9/2016	Reinhart	9,999,284 B1	6/2018	Tan
D765,409 S	9/2016	Reinhart	D821,824 S	7/2018	Rane et al.
D765,410 S	9/2016	Reinhart	D821,825 S	7/2018	Sullivan et al.
D765,411 S	9/2016	Reinhart	D824,168 S	7/2018	Morszeck
D765,973 S	9/2016	Tonelli et al.	D824,731 S	8/2018	Sullivan et al.
D767,277 S	9/2016	Faibish	10,058,151 B2	8/2018	Morszeck
9,435,578 B2	9/2016	Calderon et al.	D827,304 S	9/2018	Tao
9,443,366 B2	9/2016	Rayner	D828,028 S	9/2018	Seiders et al.
D768,464 S	10/2016	Hatton	D828,029 S	9/2018	Seiders et al.
9,468,277 B2	10/2016	King	D828,112 S	9/2018	Furneaux et al.
D770,179 S	11/2016	Menirom	D829,244 S	9/2018	Sullivan et al.
D771,381 S	11/2016	Sosnovsky et al.	10,080,412 B2	9/2018	Hartmann et al.
D772,577 S	11/2016	Muchin et al.	D830,132 S	10/2018	Sullivan et al.
D773,821 S	12/2016	Reinhart	D830,133 S	10/2018	Sullivan et al.
D773,901 S	12/2016	Marret	D830,134 S	10/2018	Sullivan et al.
9,511,491 B2	12/2016	Brunner	10,086,745 B2	10/2018	Gill
D776,932 S	1/2017	Reinhart	10,088,144 B1	10/2018	Sandberg
D776,934 S	1/2017	Braendle	D832,653 S	11/2018	Waskow et al.
D777,441 S	1/2017	Li	10,124,742 B2	11/2018	Martinez et al.
D777,530 S	1/2017	Marret	10,138,048 B2	11/2018	Mitchell et al.
D778,054 S	2/2017	Li	D834,819 S	12/2018	Burek et al.
D778,707 S	2/2017	Tonelli	D835,470 S	12/2018	Seiders et al.
D779,201 S	2/2017	Beilman et al.	D835,472 S	12/2018	Seiders et al.
9,566,704 B1	2/2017	Stoikos et al.	D835,473 S	12/2018	Jacobsen
9,567,784 B2	2/2017	Defrance et al.	D835,946 S	12/2018	Seiders et al.
D780,523 S	3/2017	Jacobsen	10,143,282 B2	12/2018	Seiders et al.
D780,524 S	3/2017	Jacobsen	10,159,312 B2	12/2018	Ito
D780,525 S	3/2017	Jacobsen	10,160,471 B2	12/2018	Yahav et al.
D784,017 S	4/2017	Hsieh	D836,993 S	1/2019	Meda et al.
9,622,547 B2	4/2017	Seader	D836,996 S	1/2019	Jacobsen
D785,937 S	5/2017	Morszeck	D836,997 S	1/2019	Jacobsen
D786,561 S	5/2017	Seiders et al.	D836,998 S	1/2019	Jacobsen
9,637,294 B2	5/2017	Kinsky	D836,999 S	1/2019	Jacobsen
9,655,418 B2	5/2017	Chien et al.	D837,001 S	1/2019	Jacobsen
D788,460 S	6/2017	Morszeck	D837,515 S	1/2019	Shpitzer
9,669,986 B1	6/2017	Evans	D837,611 S	1/2019	Lane et al.
D792,094 S	7/2017	Stoikos et al.	D838,208 S	1/2019	Hirabayashi et al.
D792,105 S	7/2017	Reinhart	D838,983 S	1/2019	Seiders et al.
D793,089 S	8/2017	Jackson	D838,984 S	1/2019	Seiders et al.
D796,199 S	9/2017	Law	D839,094 S	1/2019	Giraud et al.
D796,838 S	9/2017	Sijmons et al.	D839,682 S	2/2019	Jacobsen
9,809,376 B2	11/2017	Mitchell et al.	D840,150 S	2/2019	Seiders et al.
D804,819 S	12/2017	Faibish et al.	D840,194 S	2/2019	Furneaux et al.
D805,772 S	12/2017	Oshima	D842,048 S	3/2019	Wells
D805,851 S	12/2017	Sullivan et al.	D844,325 S	4/2019	Nelson
9,839,272 B2	12/2017	Licciardino	10,272,934 B2	4/2019	DeFrancia
9,848,681 B1	12/2017	Chen	D848,219 S	5/2019	Munie et al.
9,849,901 B2	12/2017	Jackman	D848,220 S	5/2019	Munie et al.
D806,483 S	1/2018	Stanford et al.	D848,221 S	5/2019	Munie et al.
D807,123 S	1/2018	Carey et al.	D848,222 S	5/2019	Munie et al.
D807,124 S	1/2018	Carey et al.	D848,223 S	5/2019	Munie et al.
D808,164 S	1/2018	Summers	D848,744 S	5/2019	Axelbaum
D808,653 S	1/2018	Rayeski et al.	D848,798 S	5/2019	Munie et al.
D808,655 S	1/2018	Seiders et al.	D849,486 S	5/2019	Munie et al.
D808,730 S	1/2018	Sullivan et al.	10,292,473 B2	5/2019	Meersschaert
9,878,841 B2	1/2018	Holderness et al.	D850,796 S	6/2019	Ricca
D809,293 S	2/2018	Virassamy et al.	D851,401 S	6/2019	Zhang
D809,295 S	2/2018	Ehret	10,314,377 B2	6/2019	Stephens
D810,432 S	2/2018	Ballou et al.	D853,729 S	7/2019	Axelbaum
D810,433 S	2/2018	Ballou et al.	D854,826 S	7/2019	Tonelli
D811,084 S	2/2018	Ballou et al.	10,334,935 B2	7/2019	Chung
D811,090 S	2/2018	Karl	10,350,746 B2	7/2019	Martinez et al.
9,883,724 B2	2/2018	Woode	10,351,330 B2	7/2019	Smith et al.
9,894,971 B2	2/2018	Sciocluna et al.	10,357,874 B2	7/2019	Engvall et al.
9,901,153 B2	2/2018	Nash	D857,386 S	8/2019	Shpitzer
D811,742 S	3/2018	Ballou et al.	10,376,031 B1	8/2019	Majhess

US D904,829 S

10,378,569 B2	8/2019	Jensen et al.	2008/0245095 A1	10/2008	Schlipman et al.
D859,842 S	9/2019	Frank	2008/0257775 A1	10/2008	Randolph
10,399,748 B2	9/2019	Reinhart	2008/0264946 A1	10/2008	Moschella et al.
10,401,075 B2	9/2019	Bond	2009/0009039 A1	1/2009	Mayes, Jr.
D861,535 S	10/2019	Venables	2009/0014974 A1	1/2009	VanVORST et al.
10,443,918 B2 *	10/2019	Li B65D 25/06	2009/0049859 A1	2/2009	Moon
D869,160 S	12/2019	Seiders et al.	2009/0078593 A1	3/2009	Patstone
D869,244 S	12/2019	Ellison et al.	2009/0080809 A1	3/2009	Pham et al.
D869,848 S	12/2019	Wu	2009/0101460 A1	4/2009	Justham et al.
D872,478 S	1/2020	Seiders et al.	2009/0114646 A1	5/2009	Whalen
D872,485 S	1/2020	Seiders et al.	2009/0114653 A1	5/2009	Schenker
D873,020 S	1/2020	Seiders et al.	2009/0158770 A1	6/2009	Cohrs et al.
10,568,395 B2	2/2020	Hayashi	2009/0173744 A1	7/2009	Hassell
10,568,400 B2	2/2020	Shechter et al.	2009/0194541 A1	8/2009	Mayo
D876,833 S	3/2020	Brunner et al.	2009/0277905 A1	11/2009	Gillan
D878,054 S	3/2020	Reinhart et al.	2010/0072215 A1	3/2010	Coon
10,595,608 B2	3/2020	Korey et al.	2010/0078451 A1	4/2010	Mount
2002/0024189 A1	2/2002	Chen	2010/0108556 A1	5/2010	Claffy
2002/0038745 A1	4/2002	Lamming	2010/0133132 A1	6/2010	Allan
2002/0074332 A1	6/2002	Sagol	2010/0200784 A1	8/2010	Turner
2002/0162841 A1	11/2002	Shamir et al.	2010/0258576 A1	10/2010	Marquez
2002/0185871 A1	12/2002	Straka	2010/0275642 A1	11/2010	Klettner
2002/0195827 A1	12/2002	Jackson et al.	2011/0016911 A1	1/2011	Mosby
2003/0019705 A1	1/2003	Lau	2011/0064332 A1	3/2011	Piazza et al.
2003/0038007 A1	2/2003	Han	2011/0114526 A1	5/2011	Neumann et al.
2003/0038142 A1	2/2003	Gee	2011/0119986 A1	5/2011	Sellers
2003/0106821 A1	6/2003	Bar-Erez	2011/0121002 A1	5/2011	Stiller
2003/0111476 A1	6/2003	Serio	2011/0127264 A1	6/2011	Whalen
2003/0136702 A1	7/2003	Redzisz et al.	2011/0132046 A1	6/2011	Tonelli
2004/0007604 A1	1/2004	Plzak	2011/0181008 A1	7/2011	Bensman et al.
2004/0016854 A1	1/2004	Hart	2011/0182532 A1	7/2011	Baltus
2004/0025306 A1	2/2004	Coffey	2011/0186396 A1	8/2011	Sheikh
2004/0040967 A1	3/2004	Eiskant et al.	2011/0186398 A1	8/2011	Sheikh
2004/0163910 A1	8/2004	Lee	2011/0197625 A1	8/2011	Urban et al.
2004/0178208 A1 *	9/2004	Leba F25D 3/08 220/761	2011/0203328 A1	8/2011	Vilkomirski et al.
			2011/0220531 A1	9/2011	Meether et al.
2004/0246695 A1	12/2004	Schlack	2011/0226003 A1	9/2011	Chaney et al.
2005/0023096 A1	2/2005	Tiramani	2011/0226785 A1	9/2011	Sakell
2005/0099019 A1	5/2005	Hall et al.	2012/0024896 A1	2/2012	Scobey et al.
2005/0103813 A1	5/2005	Edwards	2012/0104012 A1	5/2012	Cowie et al.
2005/0139741 A1	6/2005	Yuen	2012/0168444 A1	7/2012	Shitrit et al.
2005/0150892 A1	7/2005	Miller	2012/0193353 A1	8/2012	Cronin et al.
2005/0180835 A1	8/2005	Schneider	2012/0267208 A1	10/2012	D'Angelo
2005/0199628 A1	9/2005	Van Handel et al.	2012/0273506 A1	11/2012	Adams et al.
2005/0217071 A1	10/2005	Shinner	2012/0286489 A1	11/2012	Bartholomew
2005/0279123 A1	12/2005	Maldonado et al.	2012/0312708 A1	12/2012	Roehm et al.
2006/0011641 A1	1/2006	Sanderson	2013/0068579 A1	3/2013	Mathieu et al.
2006/0017293 A1	1/2006	Tonelli	2013/0140120 A1	6/2013	Rasmussen
2006/0037178 A1	2/2006	Sulhoff	2013/0168196 A1	7/2013	Stanley
2006/0037824 A1	2/2006	Park et al.	2013/0175130 A1	7/2013	Liang
2006/0042897 A1	3/2006	Sanderson	2013/0175276 A1	7/2013	Gleichauf et al.
2006/0049640 A1	3/2006	Lee	2013/0248390 A1	9/2013	Roehm et al.
2006/0180422 A1	8/2006	Lin	2013/0292220 A1	11/2013	Kerley
2006/0196218 A1	9/2006	Mogil et al.	2013/0292221 A1	11/2013	Ryan et al.
2006/0213736 A1	9/2006	Godshaw	2013/0307214 A1	11/2013	Groller et al.
2006/0213941 A1	9/2006	Sweeney	2014/0027454 A1	1/2014	Banik
2006/0225981 A1	10/2006	Lin	2014/0062042 A1	3/2014	Wagner et al.
2006/0249412 A1	11/2006	Hernandez et al.	2014/0069832 A1	3/2014	Roehm
2006/0249522 A1	11/2006	Ringo	2014/0130310 A1	5/2014	Roth
2006/0276768 A1	12/2006	Miller et al.	2014/0137370 A1	5/2014	Lo et al.
2007/0039957 A1	2/2007	Shulz et al.	2014/0138384 A1	5/2014	O'Brien
2007/0101754 A1	5/2007	Maldonado	2014/0151388 A1	6/2014	Culeron et al.
2007/0175898 A1	8/2007	Craft et al.	2014/0158028 A1	6/2014	Adams
2007/0235452 A1	10/2007	Killinger et al.	2014/0166516 A1	6/2014	Martinez et al.
2007/0261977 A1	11/2007	Sakai	2014/0197059 A1	7/2014	Evans et al.
2008/0001373 A1	1/2008	Vaughn	2014/0251864 A1	9/2014	Voeller
2008/0029528 A1	2/2008	Mireault	2014/0252010 A1	9/2014	Miller
2008/0042460 A1	2/2008	Fuchs	2014/0265197 A1	9/2014	Russell et al.
2008/0067095 A1	3/2008	Mueller	2014/0271095 A1	9/2014	Umans et al.
2008/0067206 A1	3/2008	Kuhn	2014/0284158 A1	9/2014	Reid
2008/0078637 A1	4/2008	Su	2014/0284243 A1	9/2014	Tucker
2008/0078682 A1	4/2008	Clark et al.	2014/0311361 A1	10/2014	Wangler
2008/0110892 A1	5/2008	House	2014/0311844 A1	10/2014	Meersschaert et al.
2008/0116215 A1	5/2008	Chuang	2014/0319147 A1	10/2014	Horovitz et al.
2008/0156858 A1	7/2008	Perry et al.	2015/0027835 A1	1/2015	Moon
2008/0170388 A1	7/2008	Greil	2015/0034515 A1	2/2015	Monyak et al.
2008/0190940 A1	8/2008	Scott	2015/0069962 A1	3/2015	Dietzel et al.
2008/0196650 A1	8/2008	Fernung	2015/0089903 A1	4/2015	Carey
2008/0230339 A1	9/2008	Pereira	2015/0090551 A1	4/2015	Sikka

US D904,829 S

2015/0114024	A1	4/2015	Grepper	CN	1112819	A	12/1995
2015/0129569	A1	5/2015	Miller	CN	2515999	Y	10/2002
2015/0175338	A1	6/2015	Culp et al.	CN	2549792	Y	5/2003
2015/0189963	A1	7/2015	Lai et al.	CN	1457237	A	11/2003
2015/0190920	A1	7/2015	Karlsson et al.	CN	2664452	Y	12/2004
2015/0208779	A1	7/2015	Tong	CN	3498732		1/2006
2015/0209226	A1	7/2015	Priebe et al.	CN	3498735		1/2006
2015/0233630	A1	8/2015	Bond	CN	2813823	Y	9/2006
2015/0292840	A1	10/2015	Tobin	CN	300690540		9/2007
2015/0296945	A1	10/2015	Douglas	CN	300690541		9/2007
2015/0315532	A1	11/2015	Bergbohm et al.	CN	201076126	Y	6/2008
2015/0352709	A1	12/2015	Diamond	CN	300854008		12/2008
2015/0375558	A1	12/2015	Ben-Or	CN	300856959		12/2008
2015/0375918	A1	12/2015	Holderness et al.	CN	300918117		5/2009
2016/0023837	A1	1/2016	Furneaux et al.	CN	301150817		3/2010
2016/0046417	A1	2/2016	Kromer	CN	301189065		5/2010
2016/0052682	A1	2/2016	Gunnerson et al.	CN	201691232	U	1/2011
2016/0083186	A1	3/2016	Wright	CN	301620134		7/2011
2016/0084454	A1	3/2016	Svitak, Sr. et al.	CN	201919912	U	8/2011
2016/0091239	A1	3/2016	Beland	CN	201938601	U	8/2011
2016/0135563	A1	5/2016	Truong	CN	301711528		11/2011
2016/0138809	A1	5/2016	Colucci et al.	CN	301950501		6/2012
2016/0150862	A1	6/2016	Tonelli	CN	102626271	A	8/2012
2016/0166024	A1	6/2016	Lai	CN	302115731		10/2012
2016/0183651	A1	6/2016	Tonelli	CN	102805467	A	12/2012
2016/0244209	A1	8/2016	Hain	CN	202722894	U	2/2013
2016/0251124	A1	9/2016	Arnold et al.	CN	102948946	A	3/2013
2016/0279840	A1	9/2016	French et al.	CN	202760445	U	3/2013
2017/0079398	A1	3/2017	Reh et al.	CN	302365993		3/2013
2017/0082342	A1 *	3/2017	Weinberg F25D 3/08	CN	202874104	U	4/2013
2017/0127782	A1	5/2017	Korey et al.	CN	203182247	U	9/2013
2017/0165829	A1	6/2017	Damberg	CN	203283617	U	11/2013
2017/0173781	A1	6/2017	Damberg	CN	203439475	U	2/2014
2017/0215537	A1	8/2017	Yu	CN	203789329	U	8/2014
2017/0290400	A1	10/2017	Thomas	CN	203814784	U	9/2014
2017/0347765	A1	12/2017	Jackson et al.	CN	204032607	U	12/2014
2018/0035775	A1	2/2018	Haimoff	CN	104433073	A	3/2015
2018/0078008	A1	3/2018	Sturm	CN	204245396	U	4/2015
2018/0087819	A1	3/2018	Triska et al.	CN	303221245		5/2015
2018/0141718	A1	5/2018	Ahlstrom et al.	CN	204409860	U	6/2015
2018/0339820	A1	11/2018	Reinhart et al.	CN	303228513		6/2015
2018/0354687	A1	12/2018	Seiders et al.	CN	303324038		8/2015
2019/0008254	A1	1/2019	Newson	CN	303333672		8/2015
2019/0092530	A1	3/2019	Seiders et al.	CN	201530103483		8/2015
2019/0170422	A1	6/2019	Dexter	CN	303499903		12/2015
2019/0234671	A1	8/2019	Stanford et al.	CN	201530438676		2/2016
2019/0256119	A1	8/2019	Brilhante et al.	CN	201530438792		2/2016
2019/0271433	A1	9/2019	Tonelli	CN	303630971		4/2016
2020/0037719	A1	2/2020	Jaworski et al.	CN	303680031		5/2016
2020/0039056	A1	2/2020	Damberg	CN	303680054		5/2016
2020/0060400	A1	2/2020	Glaser	CN	205521292	U	8/2016
2020/0061802	A1	2/2020	Samsel et al.	CN	303783877		8/2016
2020/0062454	A1	2/2020	Duong et al.	CN	303799176		8/2016
2020/0086905	A1	3/2020	Yao et al.	CN	201630123602		8/2016

FOREIGN PATENT DOCUMENTS

BE	1013040	A3	8/2001	CN	304000494		1/2017
BE	1016429	A3	10/2006	CN	304036742		2/2017
BR	202015031355	U2	6/2017	CN	304036750		2/2017
CA	60997	A	8/1898	CN	304050612		2/2017
CA	72336	A	7/1901	CN	304068469		3/2017
CA	72337	A	7/1901	CN	304076890		3/2017
CA	72338	A	7/1901	CN	106551485	A	4/2017
CA	73327	A	10/1901	CN	304172638		6/2017
CA	77273	A	9/1902	CN	107125891	A	9/2017
CA	81456	A	6/1903	CN	107173938	A	9/2017
CA	152411	A	12/1913	CN	107307551	A	11/2017
CA	175930	A	3/1917	CN	107467837	A	12/2017
CA	175939	A	3/1917	CN	206702967	U	12/2017
CA	2624994	A1	5/2000	CN	206880270	U	1/2018
CA	89737	A	6/2000	CN	304461798		1/2018
CA	2483772	A1	4/2005	CN	107668874	A	2/2018
CA	2633223	A1	12/2009	CN	304539046		3/2018
CA	2635328	A1	12/2009	CN	108078109	A	5/2018
CA	2782668	A1	12/2013	CN	207428627	U	6/2018
CH	365631	A	11/1962	CN	304692146		6/2018
CN	2073459	U	3/1991	CN	304701684		6/2018
CN	2132145	Y	5/1993	CN	304749390		7/2018

US D904,829 S

CN	108497660	A	9/2018	DE	9012845	U1	10/1990
CN	304823694		9/2018	DE	4042245	A1	7/1991
CN	108608804	A	10/2018	DE	9105033	U1	3/1992
CN	207949211	U	10/2018	DE	9408707	U1	9/1995
CN	304836888		10/2018	DE	29516306	U1	2/1997
CN	108741519	A	11/2018	DE	19755532	A1	6/1999
CN	108783799	A	11/2018	DE	20312950	U1	10/2003
CN	108835813	A	11/2018	DE	20313077	U1	1/2004
CN	108835814	A	11/2018	DE	202004007996	U1	7/2004
CN	304877452		11/2018	DE	202004015475	U1	1/2005
CN	304900938		11/2018	DE	202004016959	U1	2/2005
CN	108945792	A	12/2018	DE	202005006105	U1	6/2005
CN	109043770	A	12/2018	DE	202005014773	U1	11/2005
CN	208192442	U	12/2018	DE	202006001888	U1	4/2006
CN	208192487	U	12/2018	DE	402010002800-0008		6/2010
CN	304995265		1/2019	DE	402010002800-0001		7/2010
CN	305641119		1/2019	DE	402010002800-0002		7/2010
CN	109303399	A	2/2019	DE	402010002800-0003		7/2010
CN	305019548		2/2019	DE	402010002800-0004		7/2010
CN	109431028	A	3/2019	DE	402010002800-0007		7/2010
CN	109497673	A	3/2019	DE	402010002800-0009		7/2010
CN	208581902	U	3/2019	DE	402010002800-0010		7/2010
CN	305050777		3/2019	DE	402010002800-0011		7/2010
CN	305078423		3/2019	DE	402010002800-0012		7/2010
CN	305078424		3/2019	DE	202012006671	U1	8/2012
CN	305111950		4/2019	DE	102012025617	A1	10/2013
CN	305181544		5/2019	DE	102013004590	A1	9/2014
CN	305184268		5/2019	DE	102013114520	A1	6/2015
CN	305242413		7/2019	DE	202016004315	U1	8/2016
CN	305283238		8/2019	DE	202015106823	U1	3/2017
CN	209403814	U	9/2019	DE	102017122609	A1	3/2019
CN	305347993		9/2019	EM	000134804-0001		6/2004
CN	305359134		9/2019	EM	001606468-0001		9/2009
CN	305359135		9/2019	EM	001606468-0002		9/2009
CN	209528183	U	10/2019	EM	001682428-0001		4/2010
CN	305398498		10/2019	EM	001682428-0002		4/2010
CN	209563672	U	11/2019	EM	001682428-0003		4/2010
CN	209628893	U	11/2019	EM	001682428-0004		4/2010
CN	305424085		11/2019	EM	001682428-0005		4/2010
CN	305424089		11/2019	EM	001682428-0006		4/2010
CN	305437133		11/2019	EM	001781865-0001		12/2010
CN	305437134		11/2019	EM	001781865-0006		12/2010
CN	305437137		11/2019	EM	001781865-0007		12/2010
CN	110605939	A	12/2019	EM	001781865-0008		12/2010
CN	305476163		12/2019	EM	001781899-0006		2/2011
CN	305488622		12/2019	EM	001781899-0009		2/2011
CN	305499080		12/2019	EM	002215897-0001		8/2013
CN	305518862		12/2019	EM	002277574-0001		8/2013
CN	305527333		1/2020	EM	002277574-0002		8/2013
CN	305533439		1/2020	EM	002325209-0001		11/2013
CN	305533533		1/2020	EM	002325209-0002		11/2013
CN	305533534		1/2020	EM	002569467-0001		11/2014
CN	305533538		1/2020	EM	002569467-0002		11/2014
CN	305533539		1/2020	EM	002569467-0003		11/2014
CN	305540311		1/2020	EM	002569467-0004		11/2014
CN	305547763		1/2020	EM	002576728-0013		11/2014
CN	305547764		1/2020	EM	002978569-0001		2/2016
CN	305547961		1/2020	EM	003261668-0002		7/2016
CN	305563596		1/2020	EM	003743905-0006		2/2017
CN	305571758		1/2020	EM	004100048-0001		9/2017
CN	305571764		1/2020	EM	004100048-0002		9/2017
CN	305578103		1/2020	EM	004385409-0001		10/2017
CN	305584094		2/2020	EM	004168789-0001		11/2017
CN	305584095		2/2020	EM	004662039-0002		3/2018
CN	305584098		2/2020	EM	004662039-0003		3/2018
CN	305605578		2/2020	EM	005609583-0001		8/2018
CN	305614805		2/2020	EM	005500311-0002		10/2018
CN	305621592		2/2020	EM	005500311-0003		10/2018
CN	305621593		2/2020	EM	006618583-0001		10/2019
CN	305629332		2/2020	EM	006618583-0002		10/2019
CN	305636583		3/2020	EM	006618583-0003		10/2019
CN	305639489		3/2020	EM	006618583-0004		10/2019
CN	305642338		3/2020	EM	007064233-0002		11/2019
CN	305642339		3/2020	EM	007145461-0012		11/2019
CN	305642418		3/2020	EM	007449095-0001		1/2020
DE	2020368	A1	11/1971	EM	007576806-0001		3/2020
DE	2939826	A1	4/1980	EM	007719141-0001		3/2020
DE	3344410	A1	6/1985	EP	0069419	A1	1/1983
DE	8620597	U1	9/1986	EP	0530067	A1	3/1993

US D904,829 S

EP	0587451	A1	3/1994	JP	D2001-10753	6/2002
EP	0221215	B1	6/1995	JP	D1193948	1/2004
EP	0670791	A1	9/1995	JP	2006122067 A	5/2006
EP	1000865	A1	5/2000	JP	D1312168	10/2007
EP	1059239	A1	12/2000	JP	D2007-16058	5/2008
EP	1080656	A1	3/2001	JP	D2007-16059	5/2008
EP	1442845	A1	8/2004	JP	D1382214	3/2010
EP	1475008	A1	11/2004	JP	D1382215	3/2010
EP	1880948	A2	1/2008	JP	D1397219	9/2010
EP	1921009	A1	5/2008	JP	D1397346	9/2010
EP	2024218	A2	2/2009	JP	D1408819	3/2011
EP	2107982	A1	10/2009	JP	D1408988	3/2011
EP	2236428	A1	10/2010	JP	2014184051 A	10/2014
EP	2330939	A1	6/2011	JP	2019119506 A	7/2019
EP	2344000	A1	7/2011	KR	3020030024985	9/2003
EP	2387906	A1	11/2011	KR	200362331 Y1	9/2004
EP	2412493	A2	2/2012	KR	20070101643 A	10/2007
EP	2441340	A1	4/2012	KR	20070103598 A	10/2007
EP	2522248	A1	11/2012	KR	3020070008850	12/2007
EP	2543481	A1	1/2013	KR	300492699.0000	5/2008
EP	2745727	A2	6/2014	KR	20090074289 A	7/2009
EP	2826394	A1	1/2015	KR	100921297 B1	10/2009
EP	2829484	A1	1/2015	KR	101267451 B1	5/2013
EP	2829485	A1	1/2015	KR	300740505.0000	4/2014
EP	2904926	A1	8/2015	KR	300887228.0000	12/2016
EP	3013176	A1	5/2016	KR	300908948.0000	6/2017
EP	3027078	A1	6/2016	KR	300908949.0000	6/2017
EP	3073852	A1	10/2016	KR	300915252.0000	7/2017
EP	3216363	A1	9/2017	KR	20180037090 A	4/2018
EP	3351130	A1	7/2018	KR	300968949.0000	8/2018
EP	3403521	A1	11/2018	KR	300982867.0000	11/2018
EP	3581059	A1	12/2019	KR	300983257.0000	12/2018
FR	2179844	A1	11/1973	KR	300990244.0000	1/2019
FR	2223248	A1	10/1974	KR	300990253.0000	1/2019
FR	2638950	A1	5/1990	KR	300996066.0000	3/2019
FR	2689100	A1	10/1993	KR	102054504 B1	12/2019
FR	2711044	A1	4/1995	KR	301037245.0000	12/2019
FR	2712257	A1	5/1995	KR	301037251.0000	12/2019
FR	2809690	A1	12/2001	KR	301050842.0000	3/2020
FR	2870692	A1	12/2005	NL	7504291 A	10/1975
FR	2912997	A1	8/2008	NL	8903105 A	7/1991
GB	854540	A	11/1960	NL	1032860 C1	11/2006
GB	1041392	A	9/1966	RU	00100422 U1	12/2010
GB	2023550	A	1/1980	TR	201708307-0001	2/2018
GB	2023551	A	1/1980	TW	M310869 U	5/2007
GB	2032814	A	5/1980	WO	9400034 A1	1/1994
GB	2047073	A	11/1980	WO	D035637-003	2/1996
GB	2023549	A	9/1992	WO	D036648-008	6/1996
GB	2278874	A	12/1994	WO	9631140 A1	10/1996
GB	2291042	A	1/1996	WO	9748613 A1	12/1997
GB	2045135	A	2/1996	WO	0041937 A1	7/2000
GB	2308803	A	7/1997	WO	0168477 A1	9/2001
GB	2289713	B	12/1997	WO	02064445 A1	8/2002
GB	2421713	A	7/2006	WO	03041529 A1	5/2003
GB	2438189	A	11/2007	WO	04076291 A2	9/2004
GB	2459111	A	10/2009	WO	06019314 A1	2/2006
GB	4036176		7/2014	WO	06037302 A1	4/2006
GB	4037039		10/2014	WO	08001029 A1	1/2008
GB	2575671	A	1/2020	WO	2008034603 A1	3/2008
ID	D0000002662-0001		1/2003	WO	09028960 A1	3/2009
IL	55179	A	7/1981	WO	1135559 A1	3/2011
IN	266778		5/2015	WO	1135559 A1	11/2011
IN	266779-0001		5/2015	WO	12000497 A1	1/2012
IN	276720		2/2016	WO	2012029119 A1	3/2012
JP	S57-150175	U	9/1982	WO	D078390-004	11/2012
JP	S60-164570	A	8/1985	WO	13014670 A1	1/2013
JP	H03-066374	U	6/1991	WO	D080557-001	4/2013
JP	H0574275	A	3/1993	WO	2013126851 A1	8/2013
JP	H07-102842	A	4/1995	WO	14131214 A1	9/2014
JP	H08-093298	A	4/1996	WO	14193073 A1	12/2014
JP	2569734	B2	1/1997	WO	2015040526	3/2015
JP	2976179	B2	11/1999	WO	15087357 A1	6/2015
JP	2001-107621	A	4/2001	WO	16072912 A1	5/2016
JP	3177720	B2	6/2001	WO	16091570 A1	6/2016
JP	3197227	B2	8/2001	WO	17088278 A1	6/2017
JP	2001-262907	A	9/2001	WO	17091899 A1	6/2017
JP	3211023	82	9/2001	WO	17192694 A1	11/2017
JP	D1121506		9/2001	WO	2018012675 A1	1/2018
JP	3225244	B2	11/2001			

WO 18169478 A1 9/2018
 WO 2019238228 A1 12/2019
 WO 2020030766 A1 2/2020

OTHER PUBLICATIONS

Pelican Elite 50 Quart Cooler, available Nov. 9, 2016, [online], [site visited Mar. 31, 2018]. Available from internet, <URL: https://www.amazon.com/Pelican-Elite-Quart-Cooler-White/product-reviews/B01G7KG5PA/ref=cm_cr_getr_d_paging_btm_5?ie=UTF8&reviewerType=all_reviews&sortBy=recent&pageNumber=5> (Year:2016).

Pelican Storm Waterproof Case, available Jul. 27, 2009, [online], [site visited Mar. 31, 2018]. Available from internet, <URL: https://www.amazon.com/dp/B002JB07D8?axitk=EqSpVoa9QpKAGqst7rmxMA&pd_rd_i=B002JB07D8&pf_rd_m=ATVPDKIKX0DER&pf> (Year: 2009).

Outdoor Products Small Watertight Dry Box, Blue, available May 31, 2016, [online], [site visited Mar. 31, 2018]. Available from Internet, <URL: <https://www.walmart.com/ip/Outdoor-Products-Small-Watertight-Dry-Box-Blue/26674162>> (Year: 2016).

Sep. 20, 2018—(WO) International Search Report and Written Opinion—App. PCT/US2018/037100.

northerntool.com, “Dewalt 28in. Wheeled Toolbox, Model# DWST28100,” visited on Apr. 6, 2020 at https://www.northerntool.com/shop/tools/product_200726534_200726534.

walmart.com, “Sterilite 151L Black Wheeled Industrial Tote,” visited on Apr. 6, 2020 at <https://www.walmart.ca/en/p/sterilite-151l-black-wheeled-industrial-tote/6000195957310>.

globalindustrial.com, “Contico UK3725-4 Rolling Pro Tuff Work Box,” visited on Apr. 6, 2020 at <https://www.globalindustrial.com/p/tools/tool-storage/Jo-Site/rolling-pro-tuff-work-box?infoParam.campaignId=T9F>.

amazon.com, “Grey: Akro-Mils 33105 Akro-Grid Slotted Divider Plastic Tote Box,” visited on Apr. 6, 2020 at <https://www.amazon.in/Grey-Akro-Mils-Akro-Grid-Slotted-Divider/dp/B004C044VU>.

globalindustrial.com, “Global Industrial™ Plastic Dividable Grid Container,” visited on Apr. 6, 2020 at <https://www.globalindustrial.com/p/storage/bins-totes-containers/dividable-grid/grid-wall-bin-stackable-1>.

globalindustrial.com, “Straight Wall Container Solid,” visited on Apr. 6, 2020 at <https://www.globalindustrial.com/p/storage/bins-totes-containers/stacking-containers/straight-wall-container-12x7-2-5x5>.

yeti.com, Images of Loadout Bucket Web Page visited on Mar. 17, 2020, at https://www.yeti.com/en_US/buckets/loadout-5-gallon-bucket/YLOB5.html?dwvar_YLOB5_color=white&cgid=buckets#start=1 <https://www.yeti.com/en_US/buckets/loadout-5-gallon-bucket/YLOB5.html?dwvar_YLOB5_color=white&cgid=buckets>.

amazon.com, “Top Shelf Custom Injection Molded ABS Saddlebag Organizer Tray, 2014—Current H-D ABS Hard Bags, LFT by Advanced Accessory Concepts LLC,” visited Oct. 16, 2019 and revisited Jan. 6, 2020 at https://www.amazon.com/Custom-Injection-Molded-Saddlebag-Organizer/dp/B01MQWBM40/ref=sr_1_38?keywords=luggage+hard+removable+liner&qid=1571270714&sr=8-38.

amazon.com, “Pelican Air 1615 Travel Case—Suitcase Luggage (Blue) by Pelican,” visited Oct. 16, 2019 and revisited Jan. 6, 2020 at https://www.amazon.com/Pelican-Air-1615-Travel-Case/dp/B07XGHDK66?ref=ast_sto_dp.

amazon.com, “Pelican 015100-0050-110 Protector Carry-On Case Black w/TrekPak Insert: Camera & Photo,” visited Oct. 16, 2019 and revisited Jan. 6, 2020 at https://www.amazon.com/Pelican-1510TP-Carry-TrekPak-Divider/dp/B01E4E1BFB/ref=sr_1_48?crd=3CJLVWN9DJ62R&keywords=carry+on+organizer+insert&qid=1571270299&sprefix=carry+on+organizer%2Caps%2C143&sr=8-48.

amazon.com, “Samsonite F’Lite GT 31” Hardside Wheeled Luggage (Vivid Blue),” visited Dec. 16, 2019 and revisited Jan. 7, 2020 at <<https://www.amazon.com/Samsonite-Flite-Spinner-Black-Size/dp/B01LTG2XVC?th=1>> Samsonite F’Lite GT 31” Hardside Wheeled Luggage (Vivid Blue).

alibaba.com, “Removable Spinner Wheels for Suitcase Replacement Suitcase Luggage,” visited Dec. 16, 2019 and revisited Jan. 7, 2020 at https://www.alibaba.com/product-detail/Removable-Spinner-Wheels-For-Suitcase-Replacement_605641600.

amazon.com, “Lockable Tackle Box Fishing Waterproof Fly Fishing Box Double Sided Ice Fishing Tackle Case Box Storage Waterproof: 360 Degree Rubber Gasket, Durable Plastic Construction Double Sided Triangle-Cut For,” visited Dec. 16, 2019 and revisited Jan. 7, 2020 at <<https://www.amazon.com/Lockable-Tackle-Fishing-Waterproof-Storage/dp/B07MFF6S6N>>.

yankodesign.com, “Vacuum Packed Suitcase,” visited Dec. 16, 2019 and revisited Jan. 7, 2020 at <<https://www.yankodesign.com/2011/11/28/vacuum-packed-suitcase/>>.

alibaba.com, “Portable Luggage Wheels for Luggage Trolley Bags & Suitcase,” visited Dec. 16, 2019 and revisited Jan. 7, 2020 at https://www.alibaba.com/product-detail/Portable-Luggage-Wheels-for-luggage-Trolley_1854722793.html.

Lowe’s, “Craftsman 37-in Black Plastic Wheels Lockable Tool Box,” <https://www.lowes.com/pd/CRAFTSMAN-37-in-Black-Plastic-Wheeled-Lockable-Tool-Box/1000578337>.

Home Depot, “Husky 37 in. Rolling Tool Box Utility Cart Black,” <<https://www.homedepot.com/p/Husky-37-in-Rolling-Tool-Box-Utility-Cart-Black-209261/203668066>>.

B&H, “Nanuk 960 Protective Rolling Case with Dividers and Organizer (Black),” https://www.bhphotovideo.com/c/product/1504703-REG/nanuk_960_6001_960_waterproof_hard_case.html. May 12, 2020—(WO) Partial International Search—PCT/US2020/012404 .

* cited by examiner

Primary Examiner — Terry A Wallace

(74) *Attorney, Agent, or Firm* — Banner & Witcoff, Ltd.

(57) **CLAIM**

The ornamental design for container accessories, as shown and described.

DESCRIPTION

FIG. 1 is a top, front, left perspective view of a container accessories showing our new design;

FIG. 2 is a front view thereof;

FIG. 3 is a top view thereof;

FIG. 4 is a right side view thereof;

FIG. 5 is a left side view thereof;

FIG. 6A is a top, front, left perspective exploded view of container accessories showing our new design;

FIG. 6B is a top, front, left perspective exploded view of an alternate configuration of container accessories showing our new design.

FIG. 7 is a top, front, left perspective view of the an enlarged caddy accessory of container accessories showing our new design;

FIG. 8 is a bottom, rear, right perspective view thereof;

FIG. 9 is a front view thereof;

FIG. 10 is a rear view thereof;

FIG. 11 is a right side view thereof;

FIG. 12 is a left side view thereof;

FIG. 13 is a top view thereof;

FIG. 14 is a bottom view thereof;

FIG. 15 is a top, front, right perspective view of an enlarged divider accessory of container accessories showing our new design;

FIG. 16 is a bottom, rear, left perspective view thereof;
FIG. 17 is a front view thereof;
FIG. 18 is a bottom view thereof;
FIG. 19 is a right side view thereof;
FIG. 20 is a left side view thereof;
FIG. 21 is a top view thereof;
FIG. 22 is a bottom view thereof;
FIG. 23 is a top, front, right perspective of an enlarged bag accessory of container accessories showing our new design;
FIG. 24 is a bottom, rear, left perspective view thereof;
FIG. 25 is front view thereof;
FIG. 26 is a rear view thereof;
FIG. 27 is a left side view thereof;
FIG. 28 is a right side view thereof;
FIG. 29 is a top view thereof; and,
FIG. 30 is a bottom view thereof.

The broken lines depicting the remainder of container accessories in FIGS. 1-5, 6A, and 6B show features that form no part of the claimed design. The broken lines within the shaded area in FIGS. 1, 2, 6A, 6B, 23, and 25 represent stitching.

FIGS. 7-30, showing the caddy, divider and bag accessory, are shown separate for clarity of illustration.

1 Claim, 26 Drawing Sheets

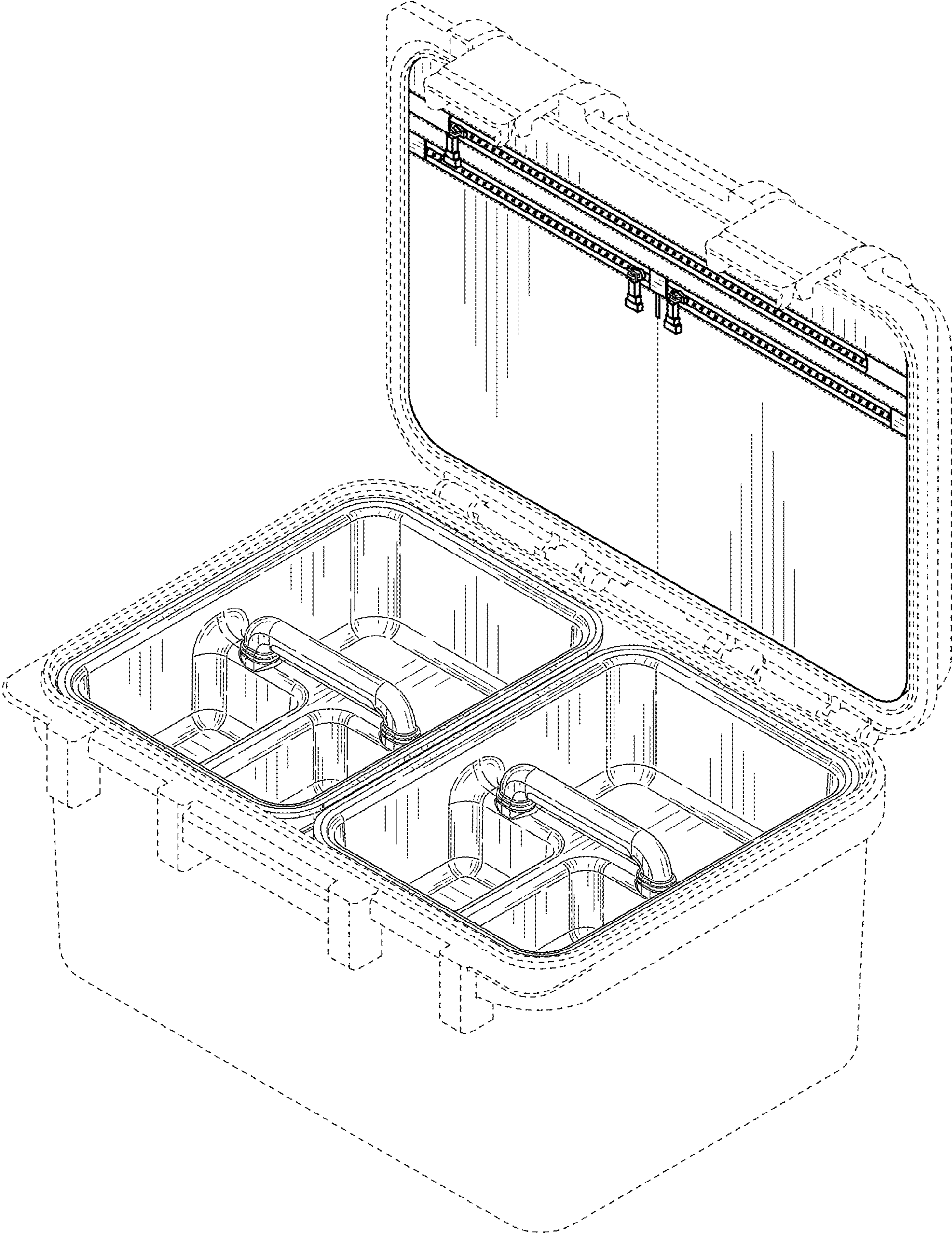


FIG. 1

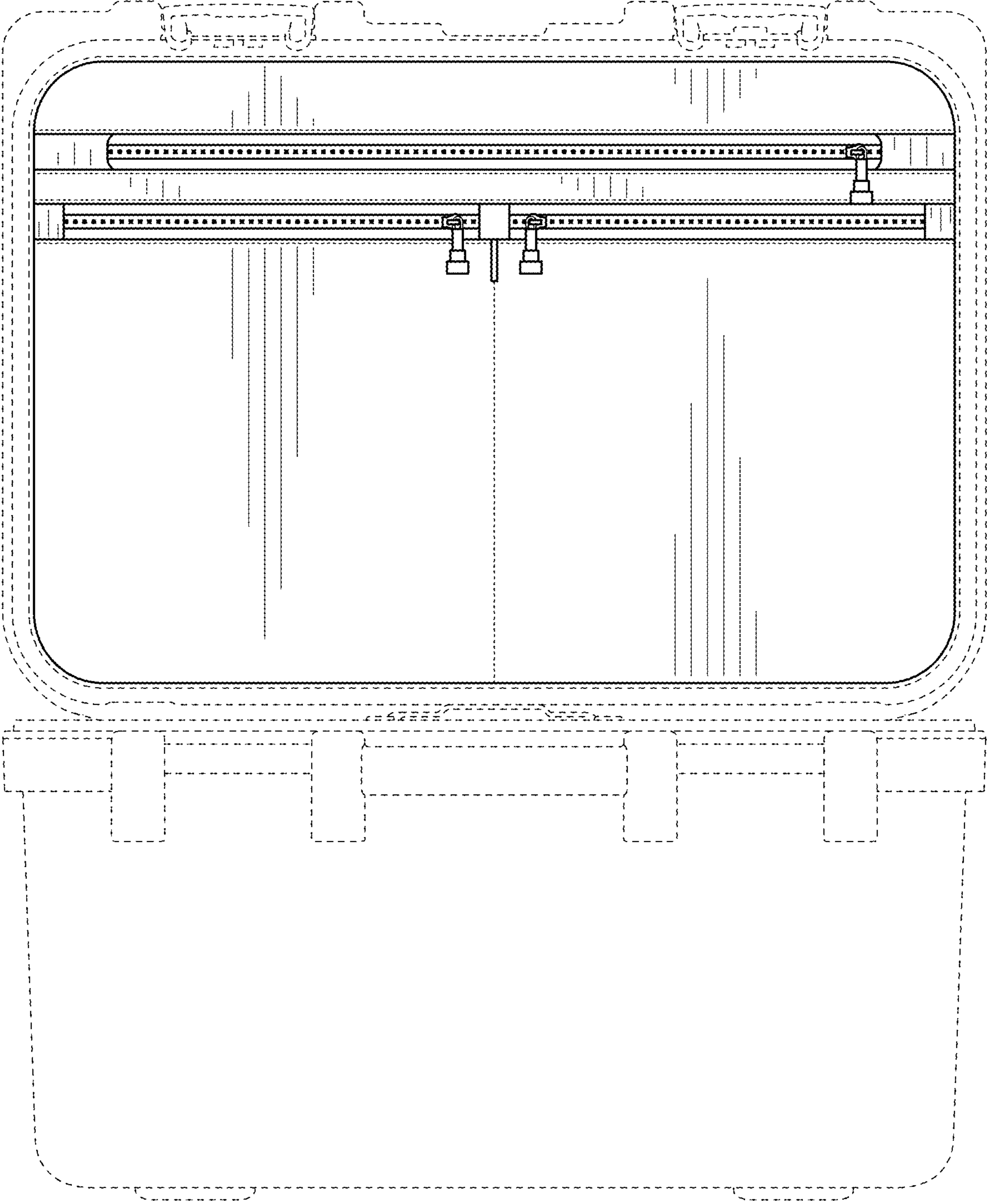


FIG. 2

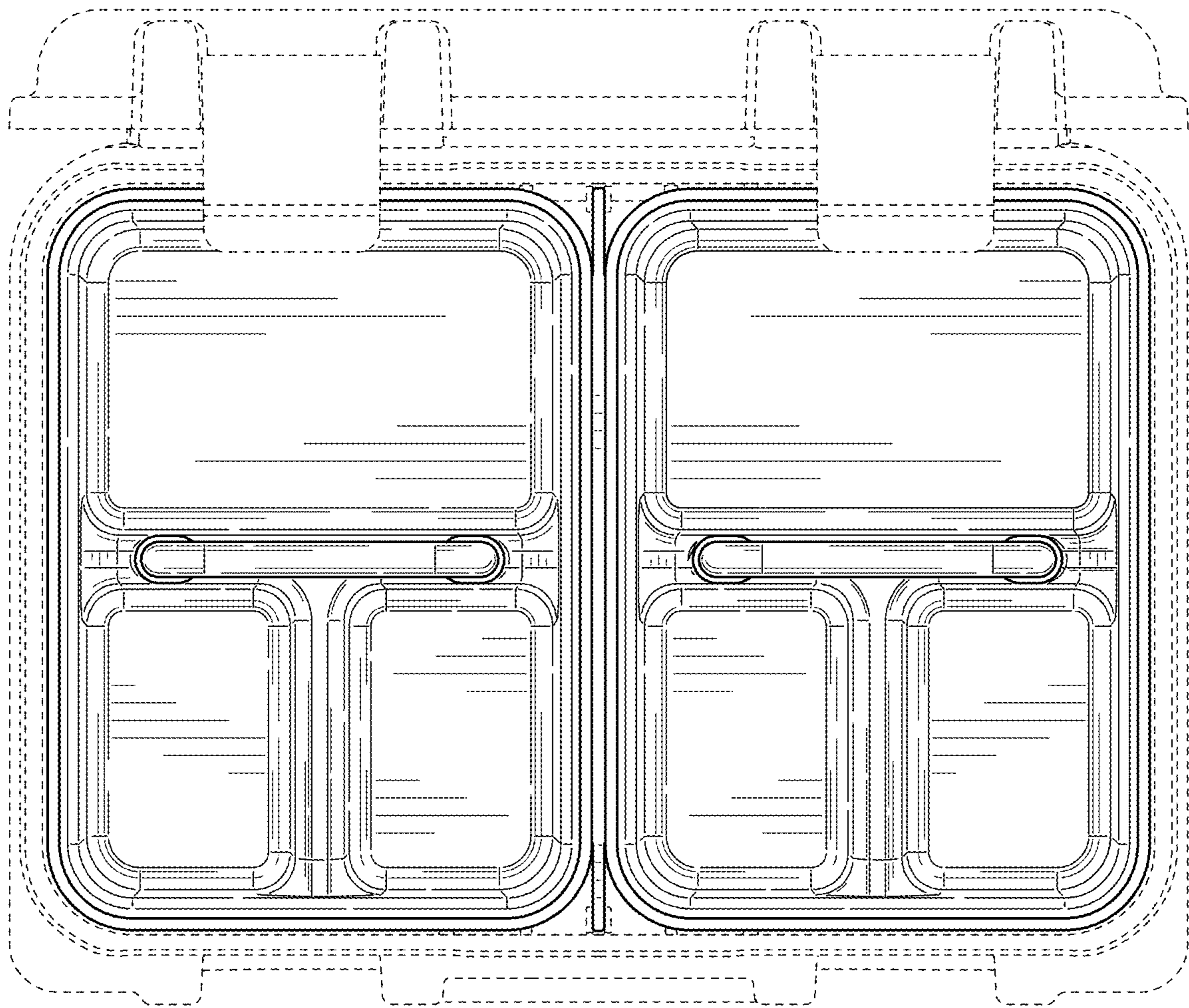


FIG. 3

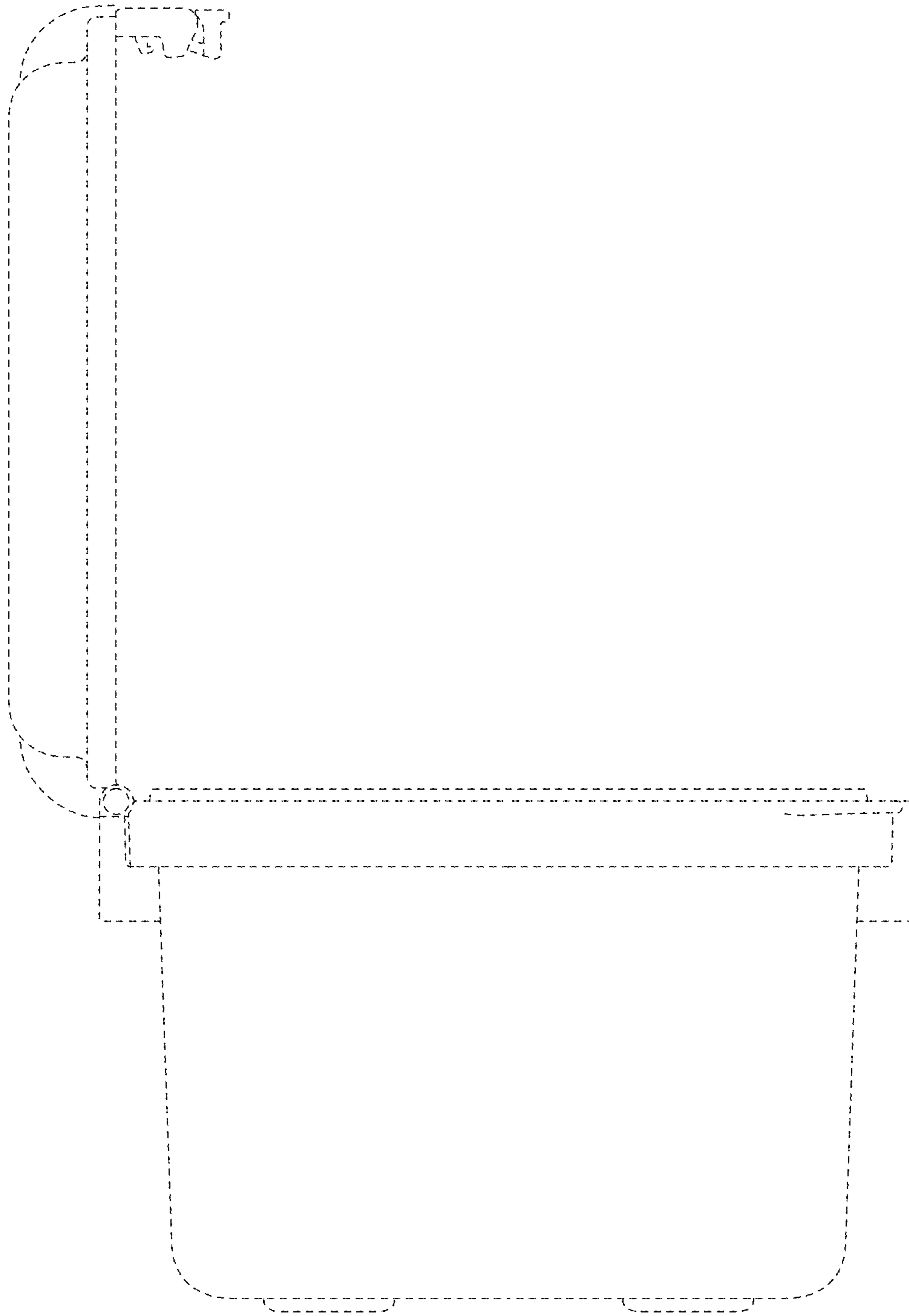


FIG. 4

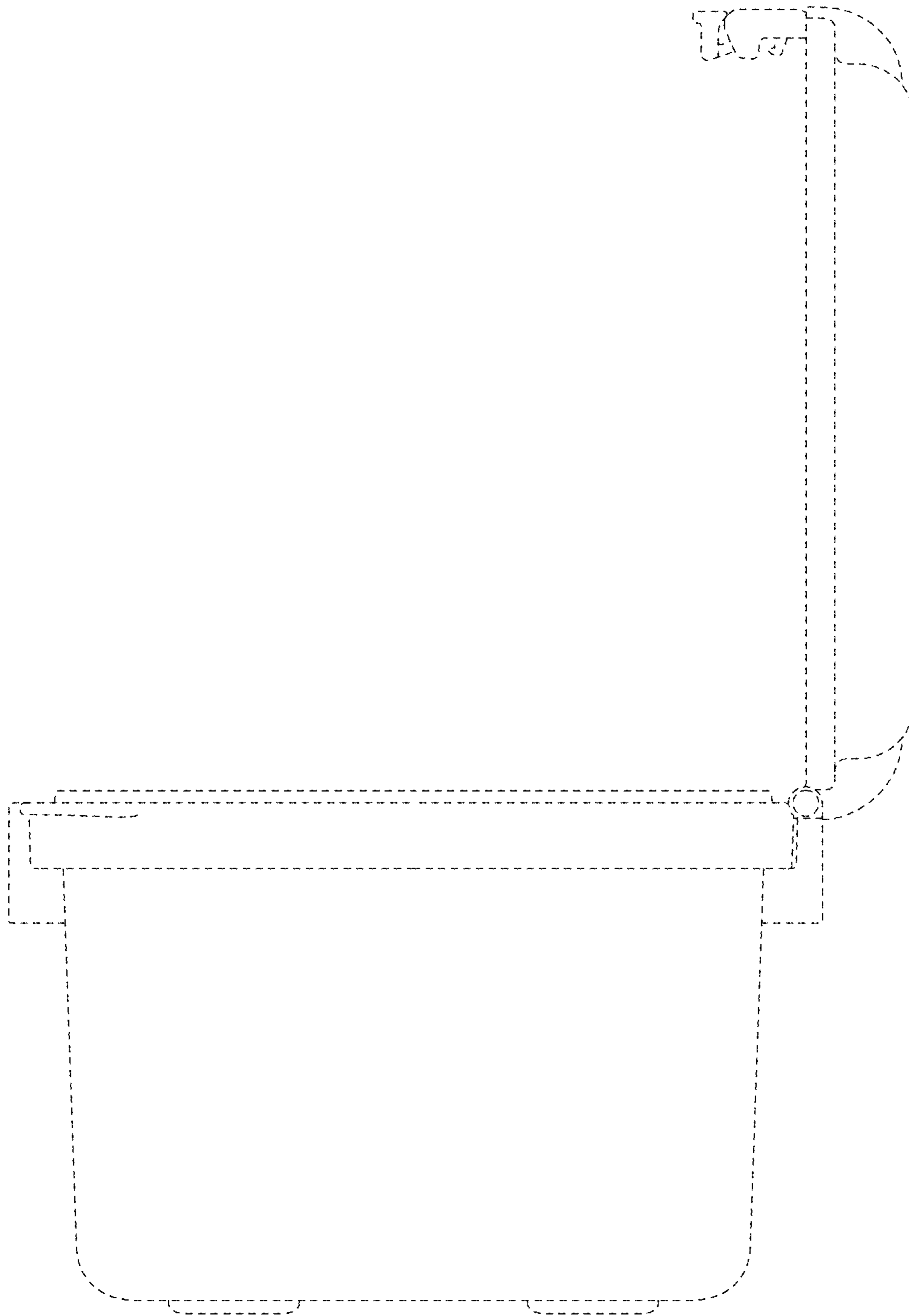


FIG. 5

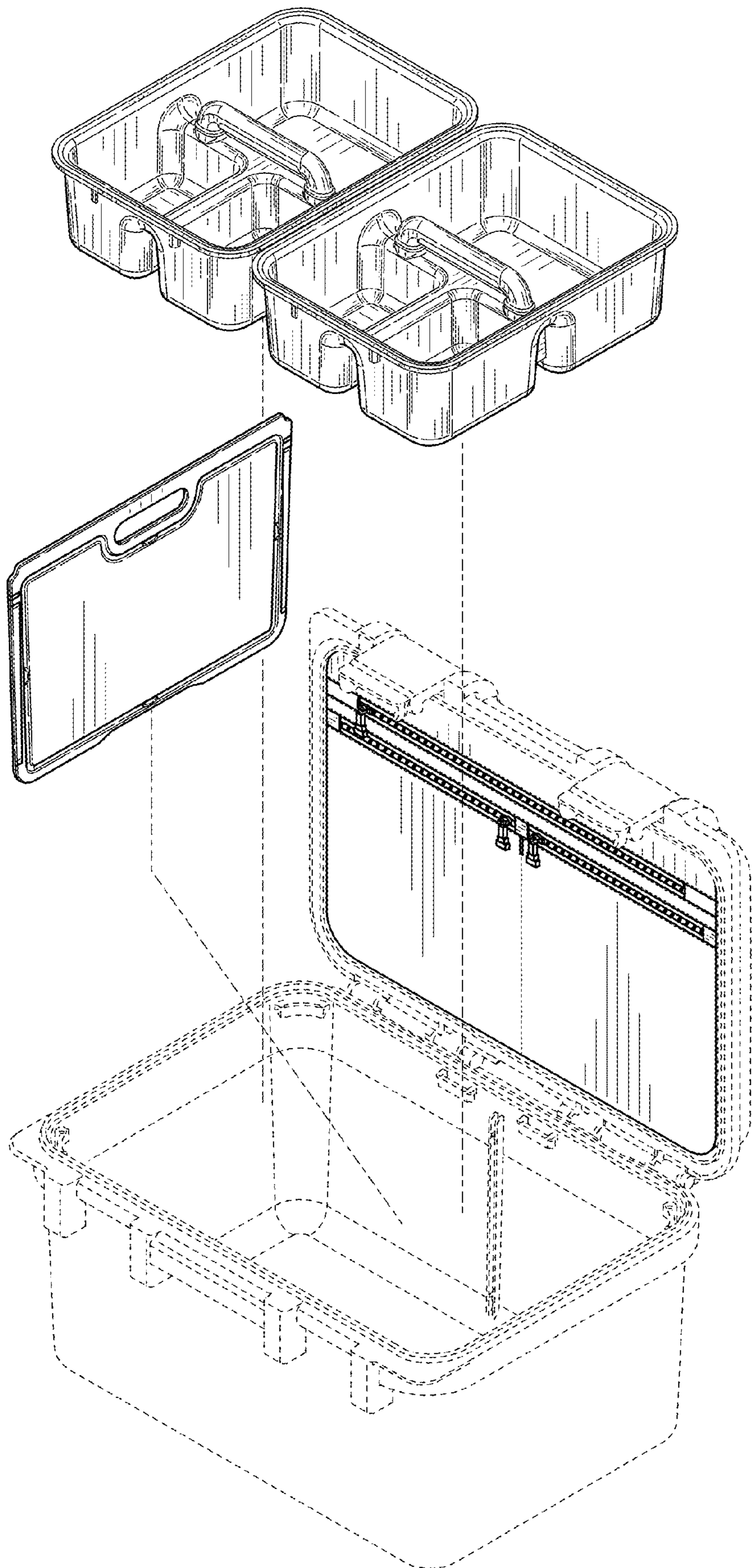


FIG. 6A

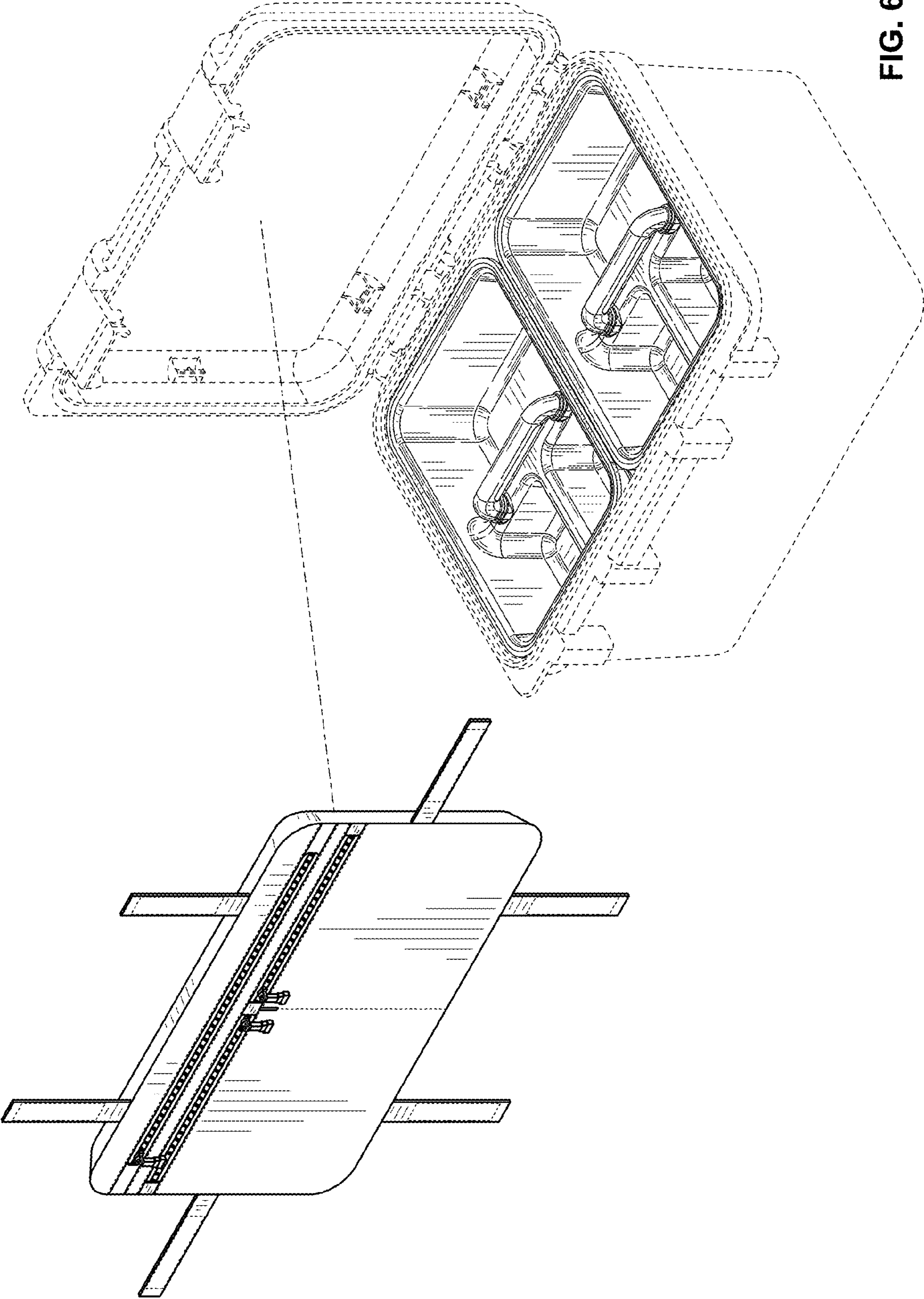


FIG. 6B

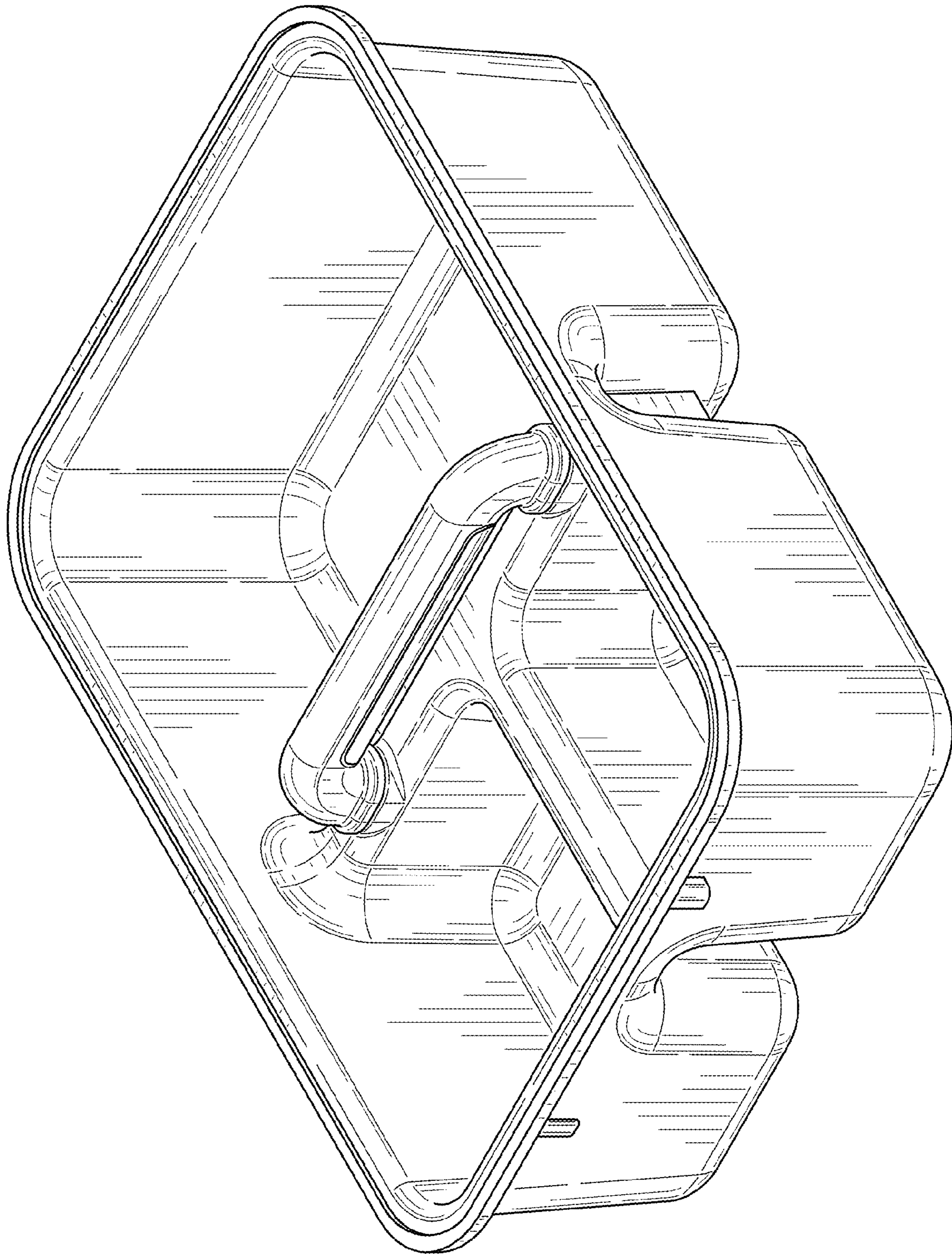


FIG. 7

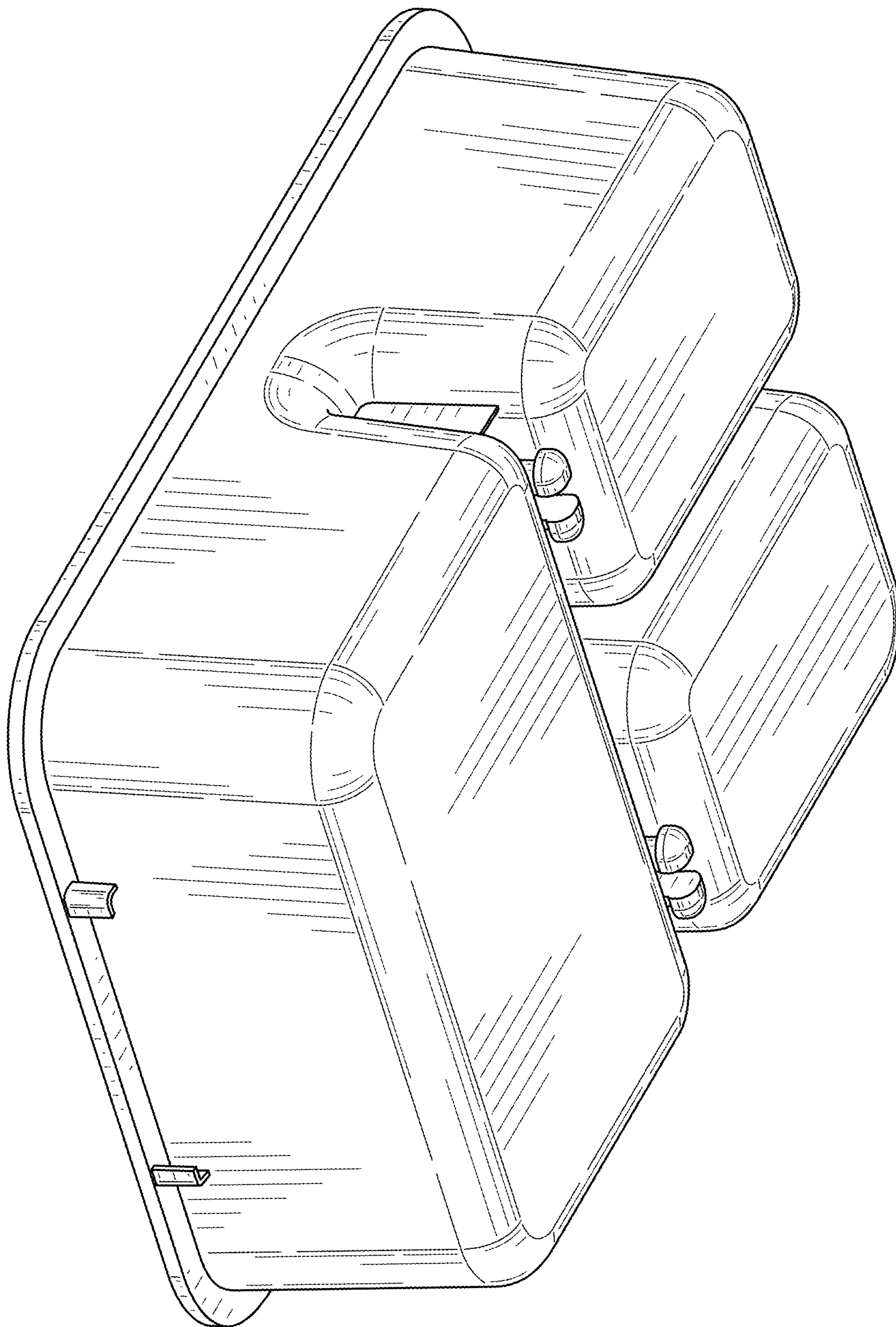


FIG. 8

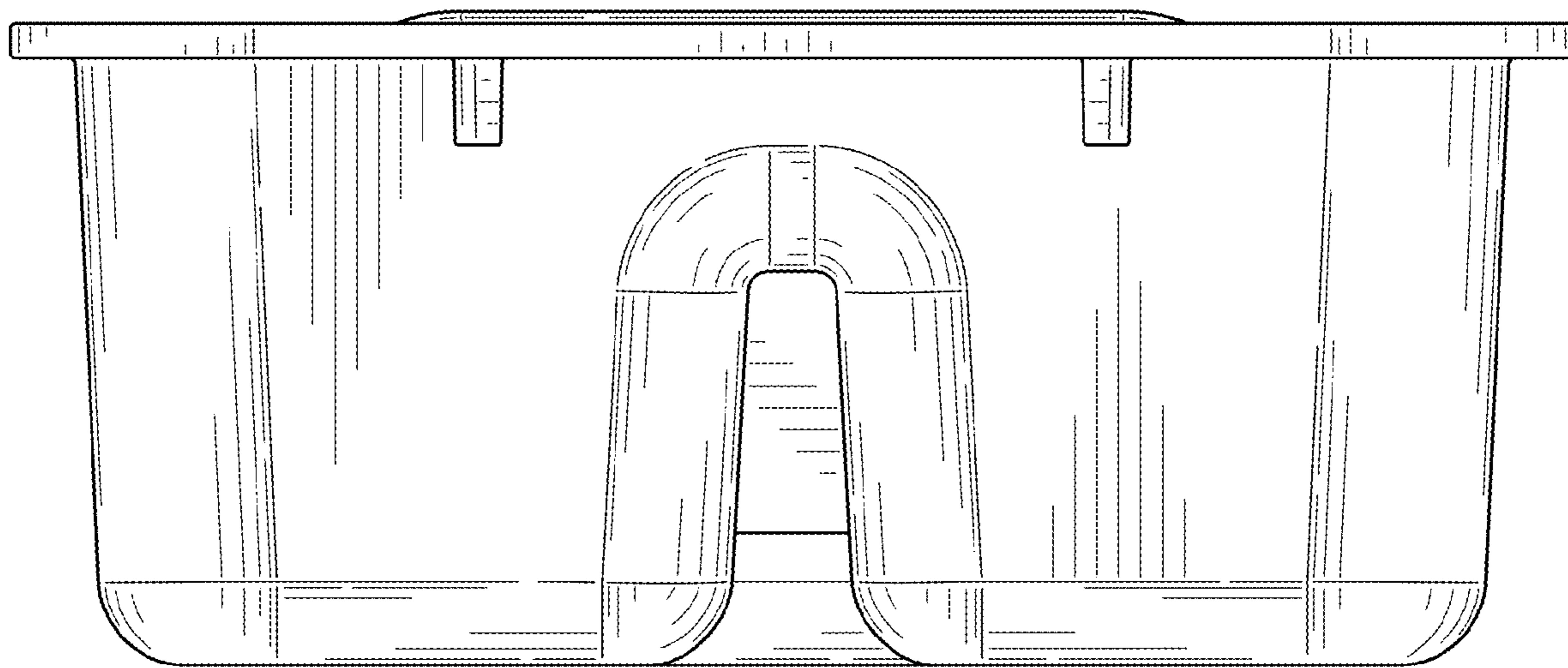


FIG. 9

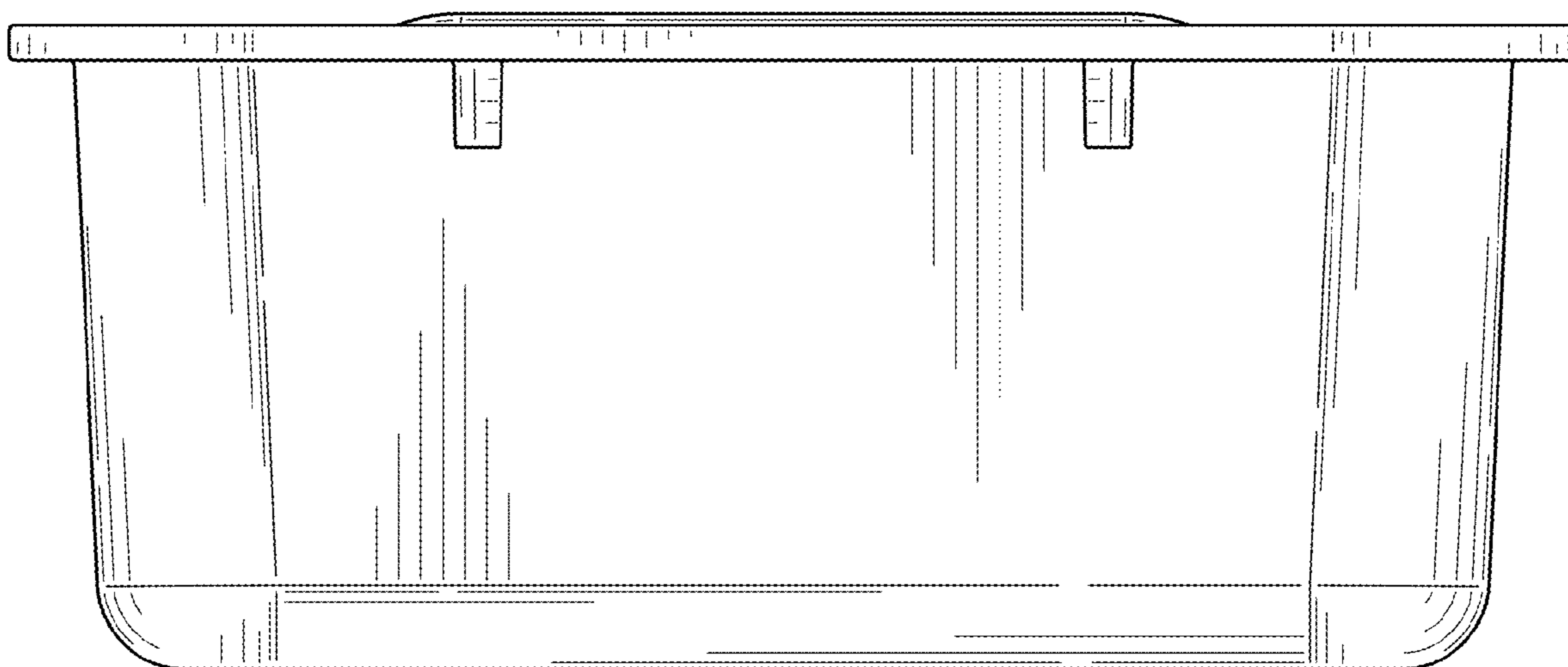


FIG. 10

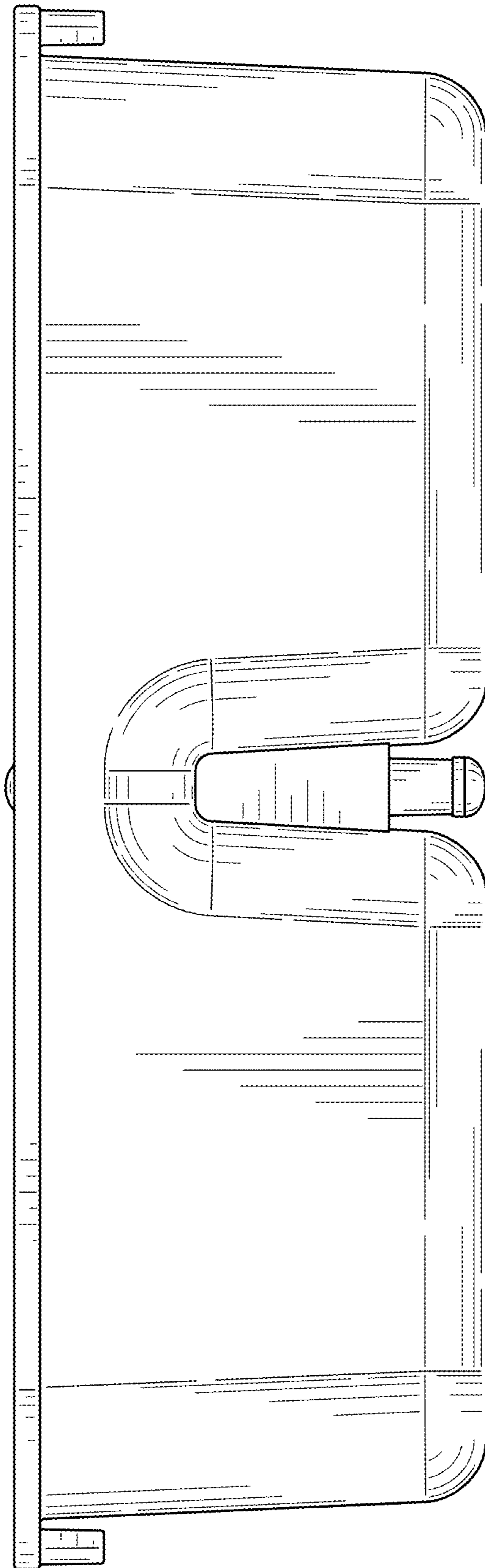


FIG. 11

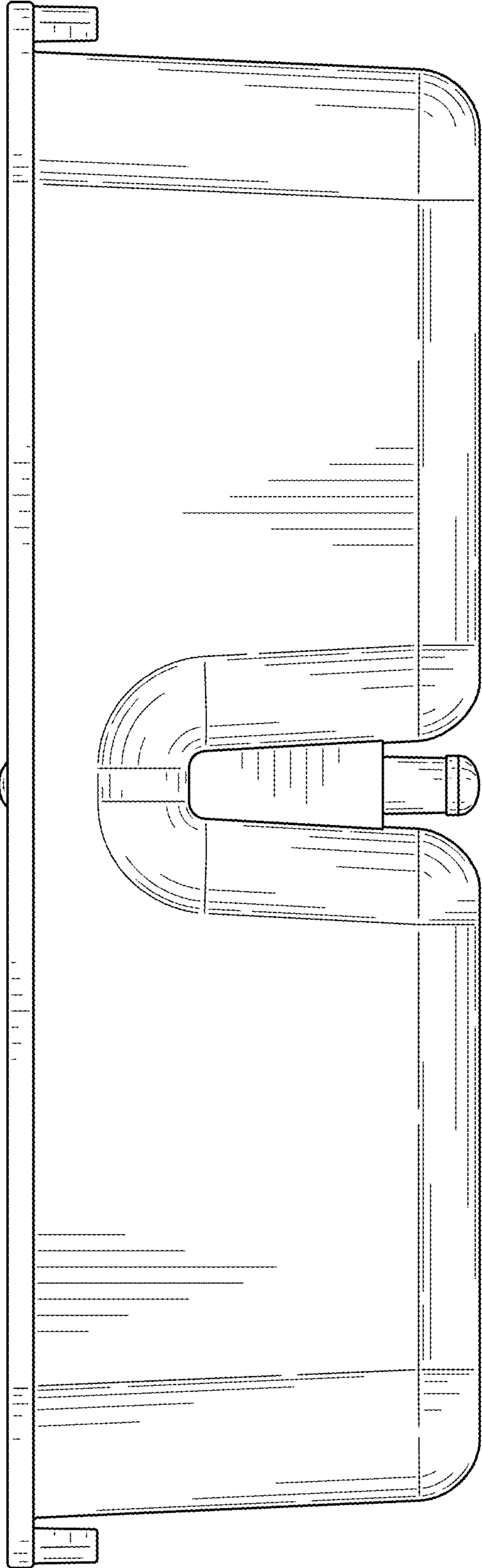


FIG. 12

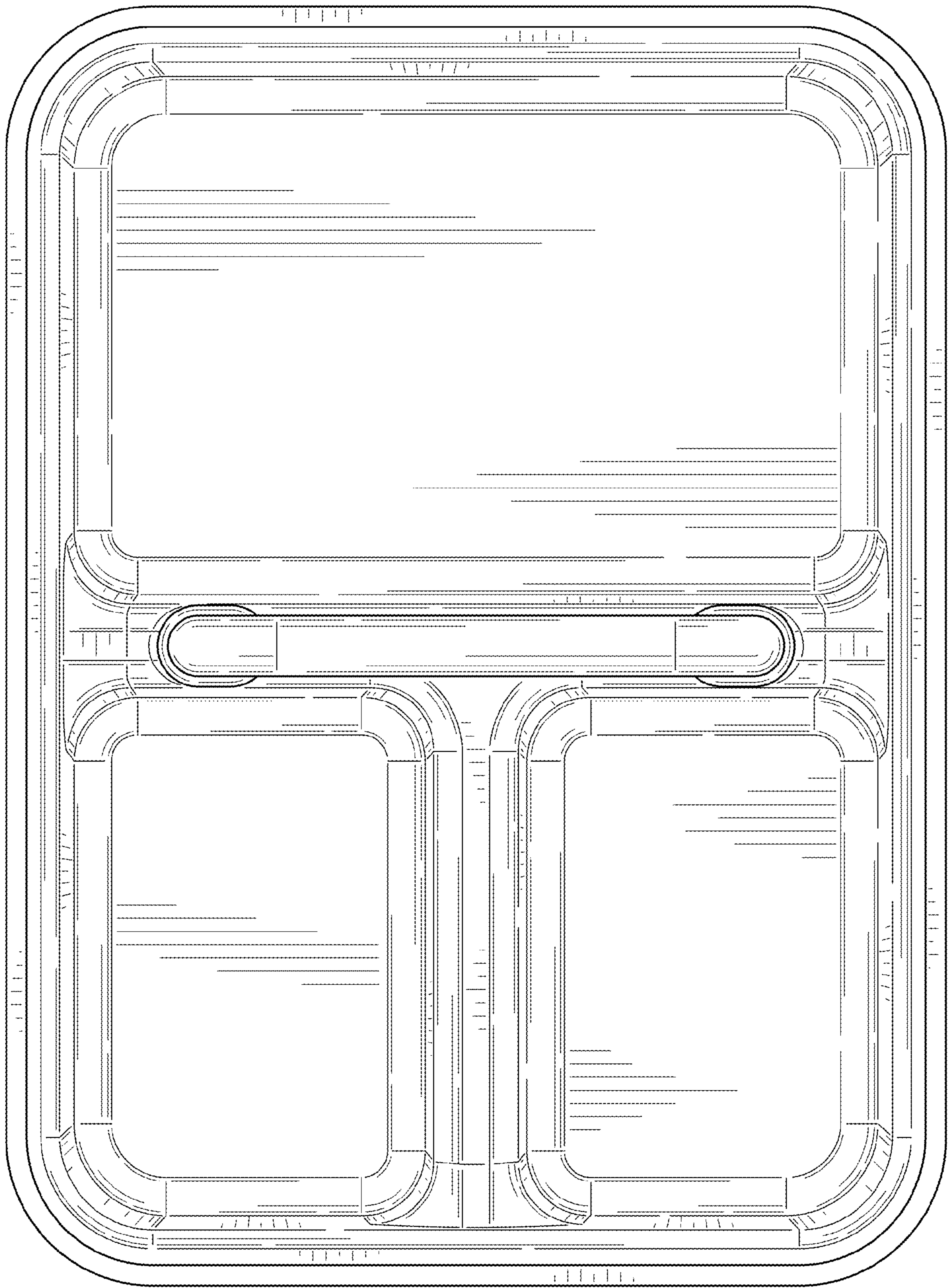


FIG. 13

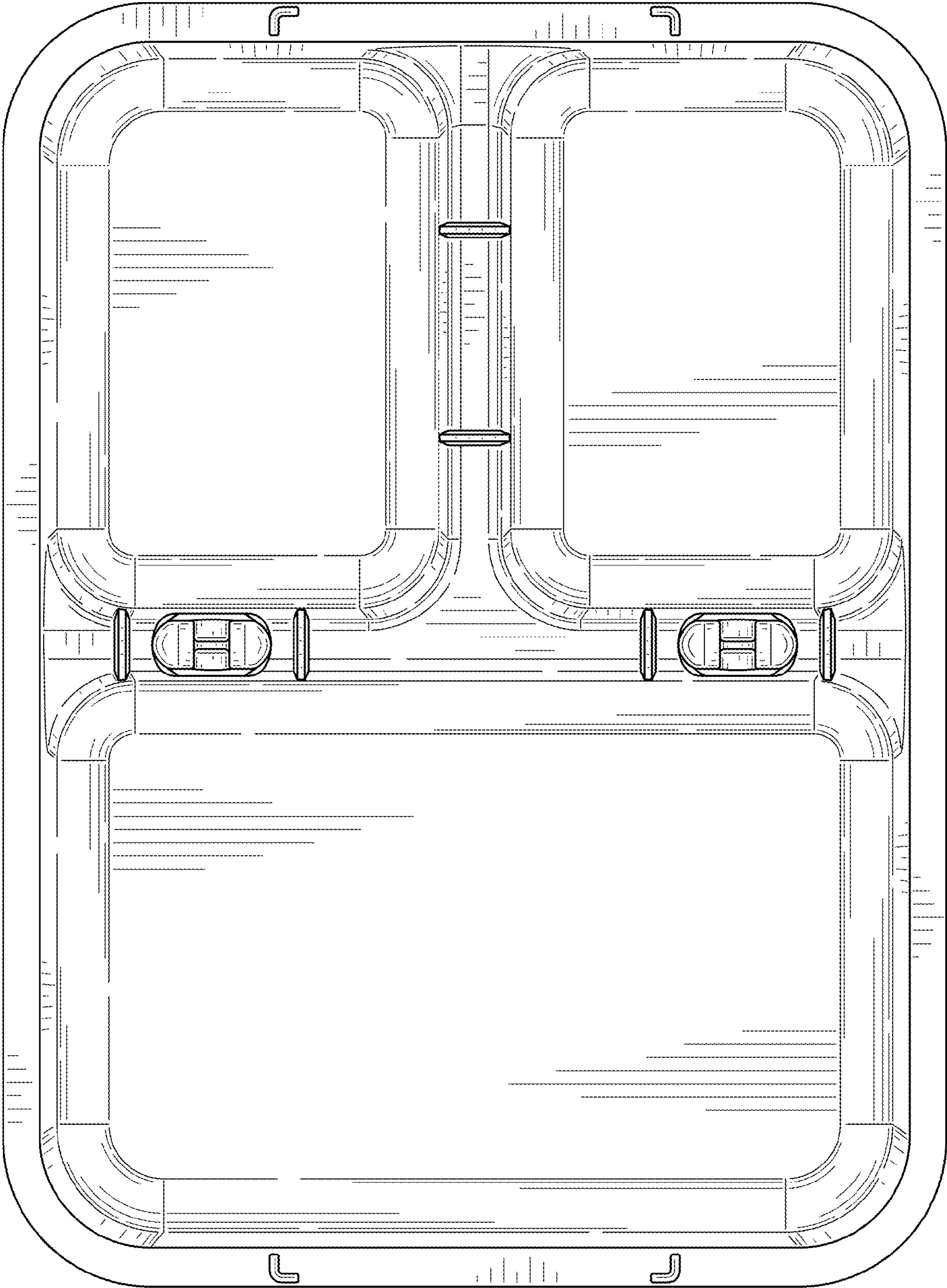


FIG. 14

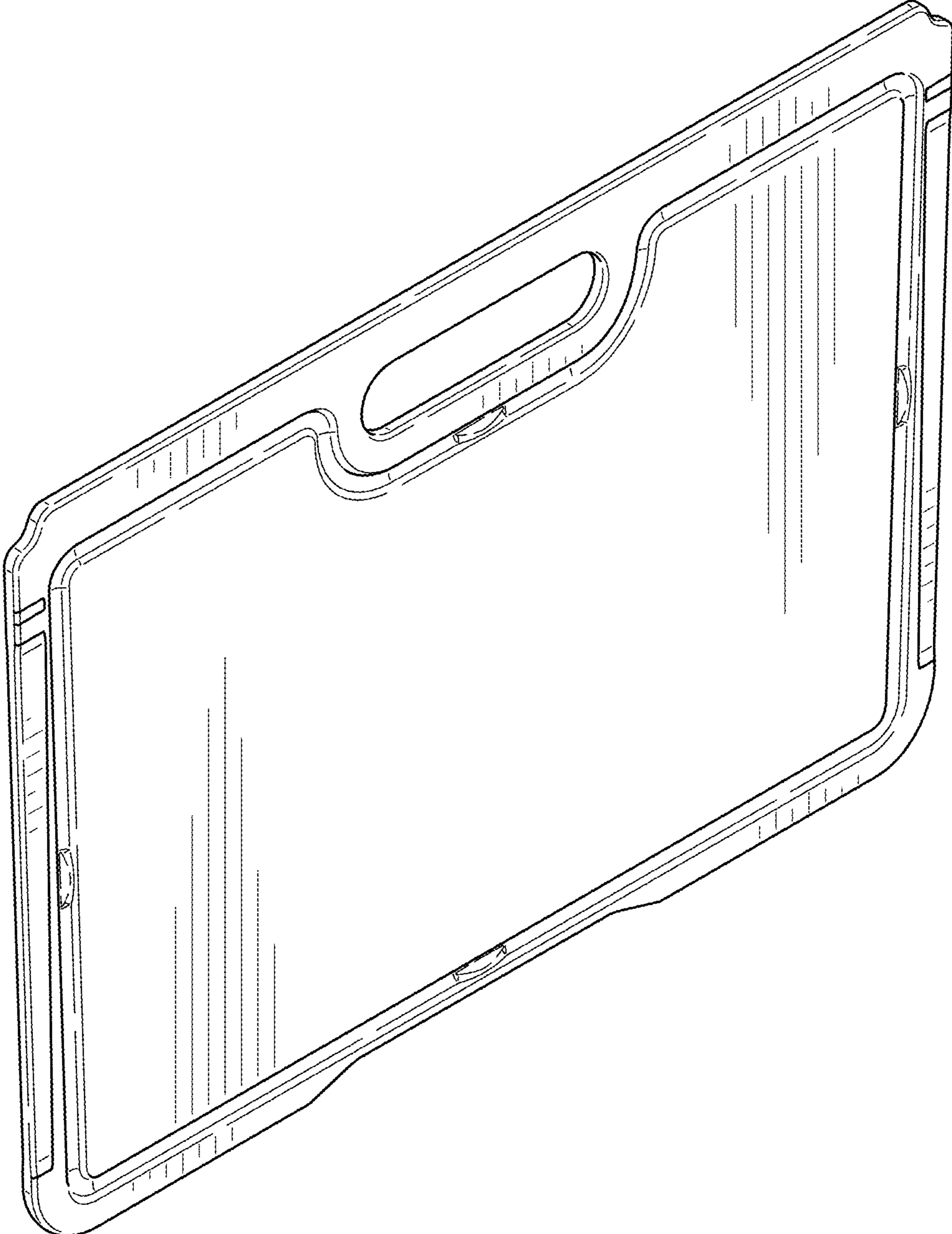


FIG. 15

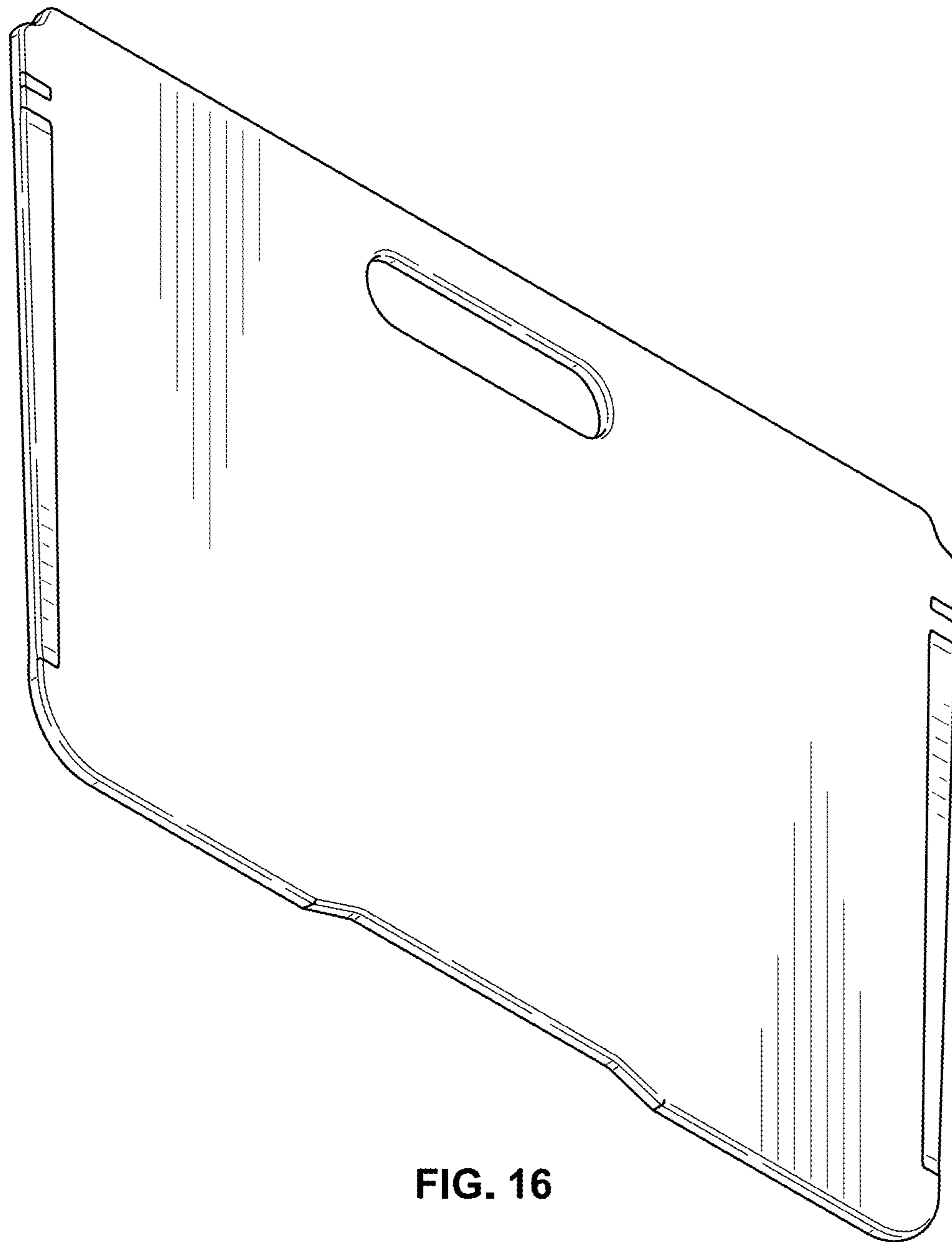


FIG. 16

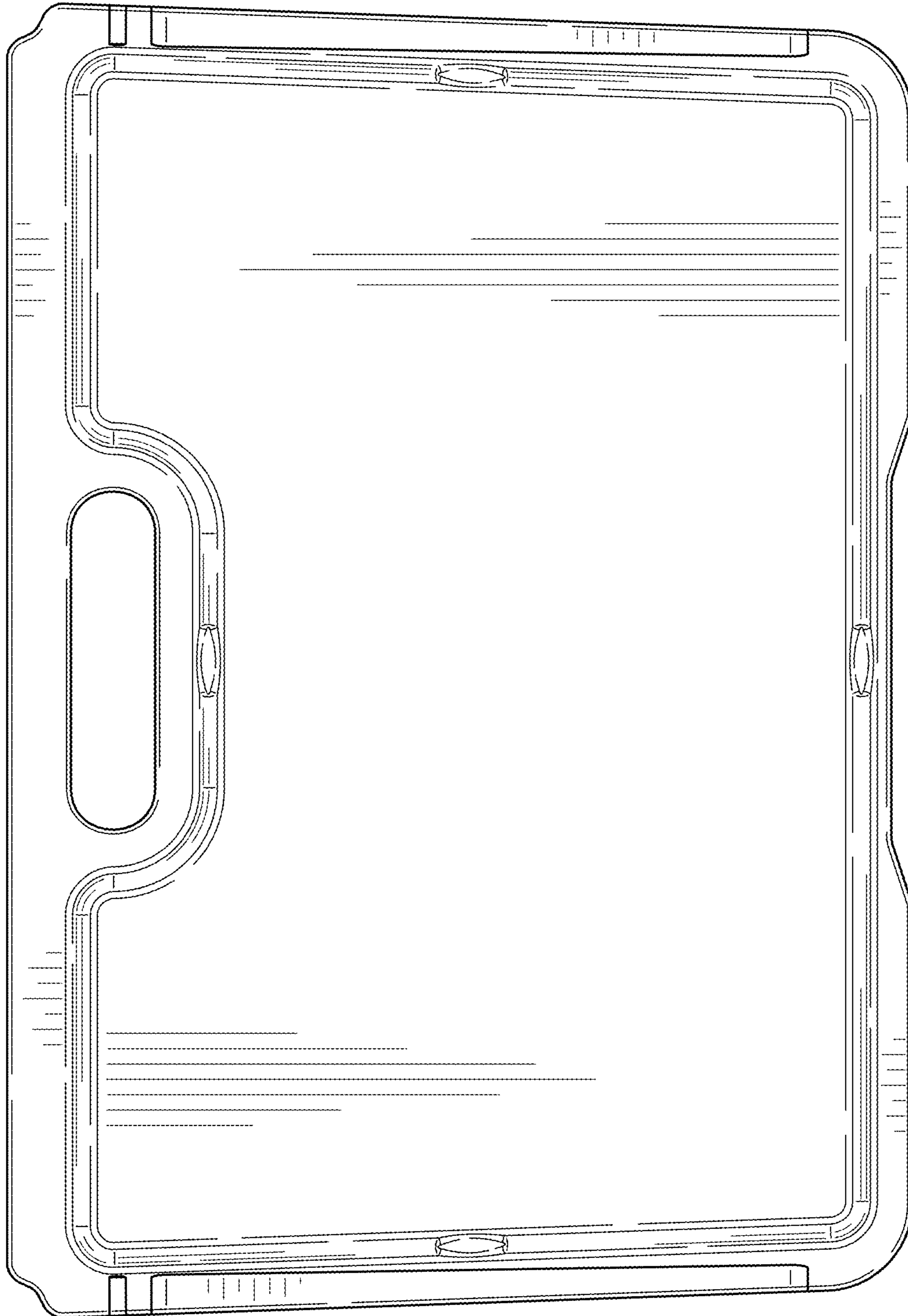


FIG. 17

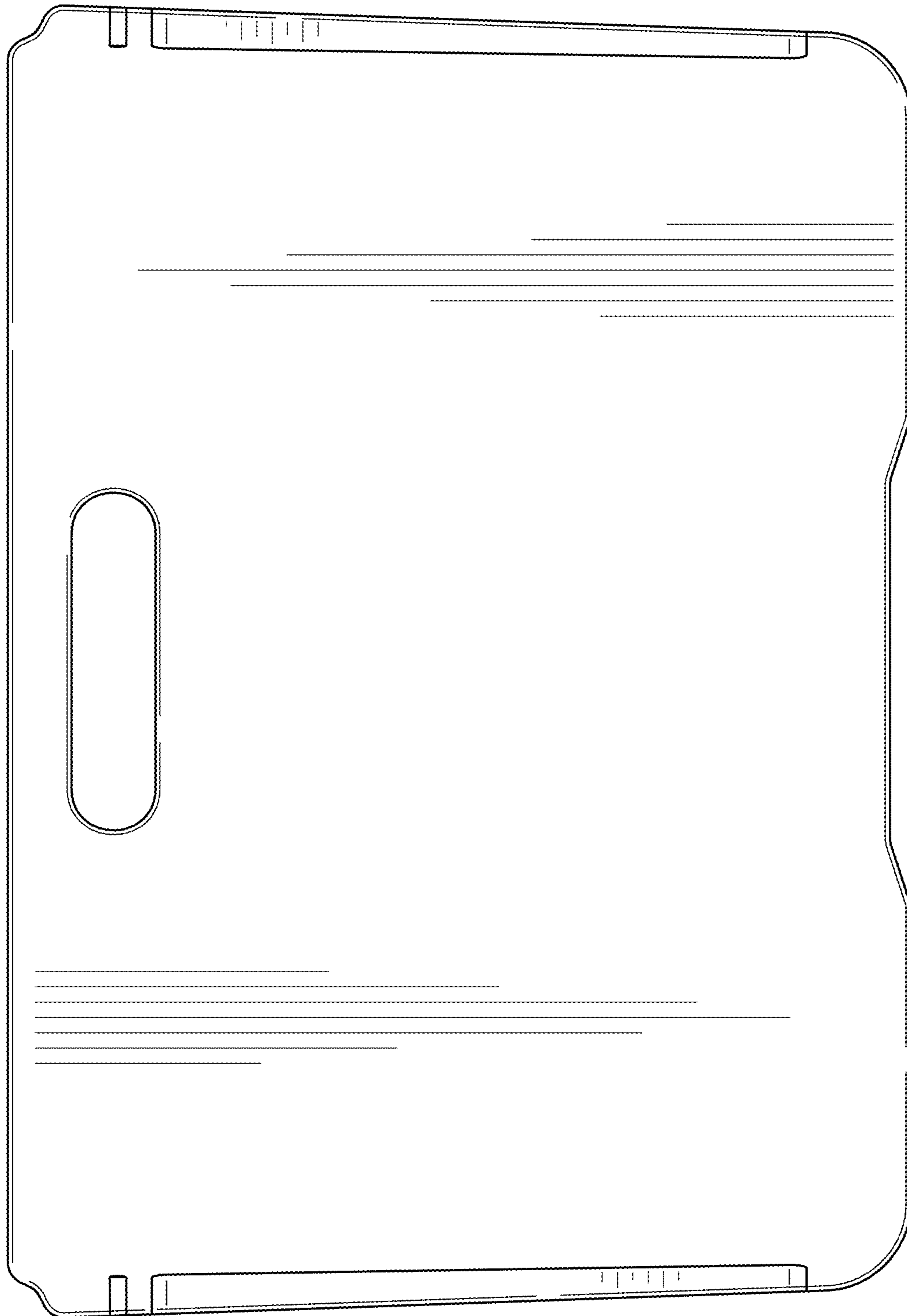


FIG. 18

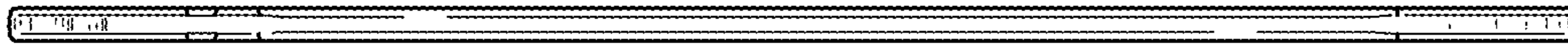


FIG. 20

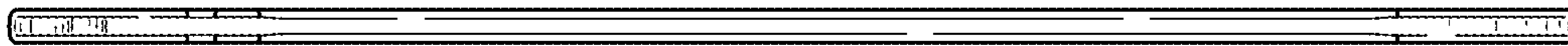


FIG. 19



FIG. 21



FIG. 22

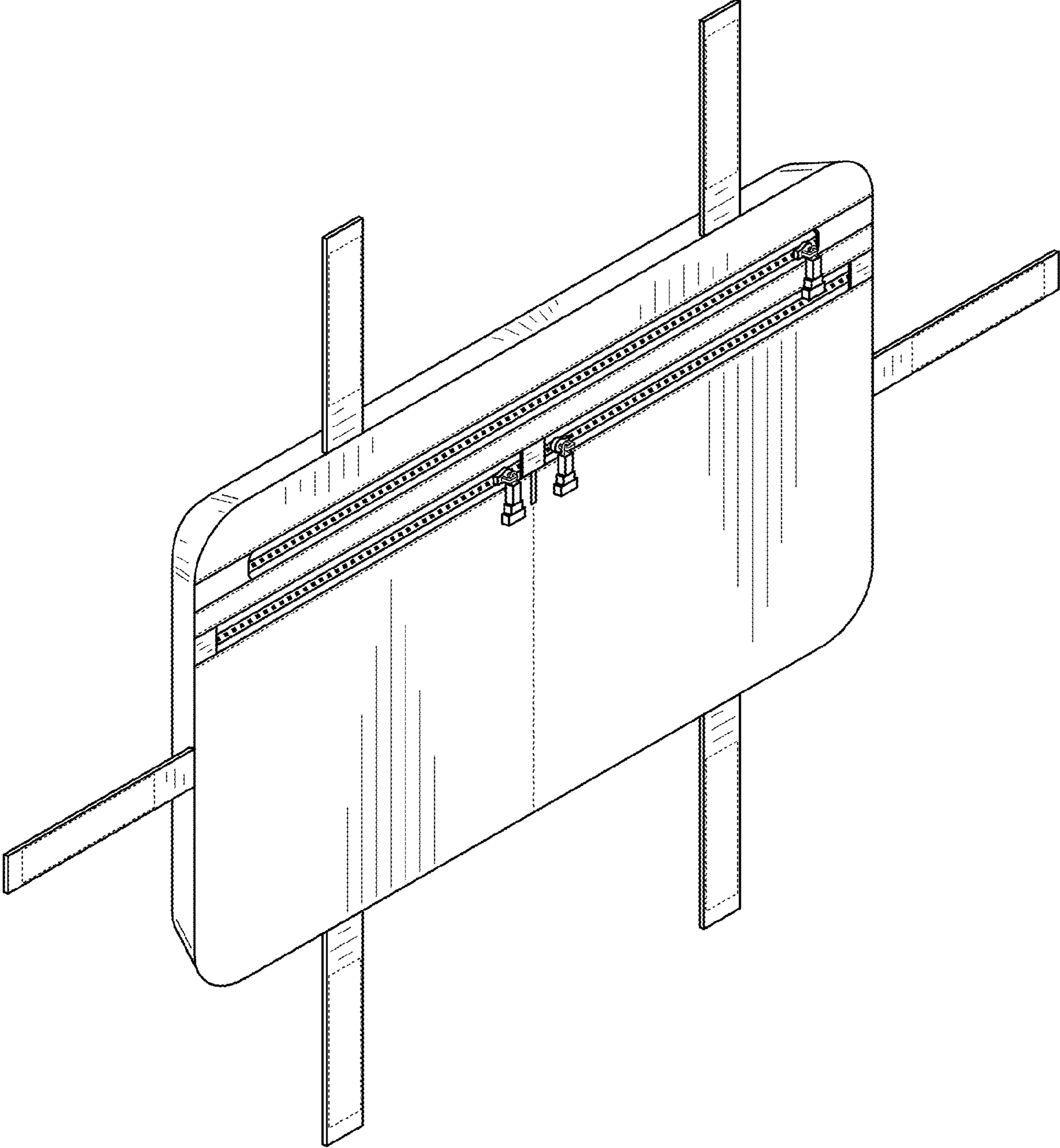


FIG. 23

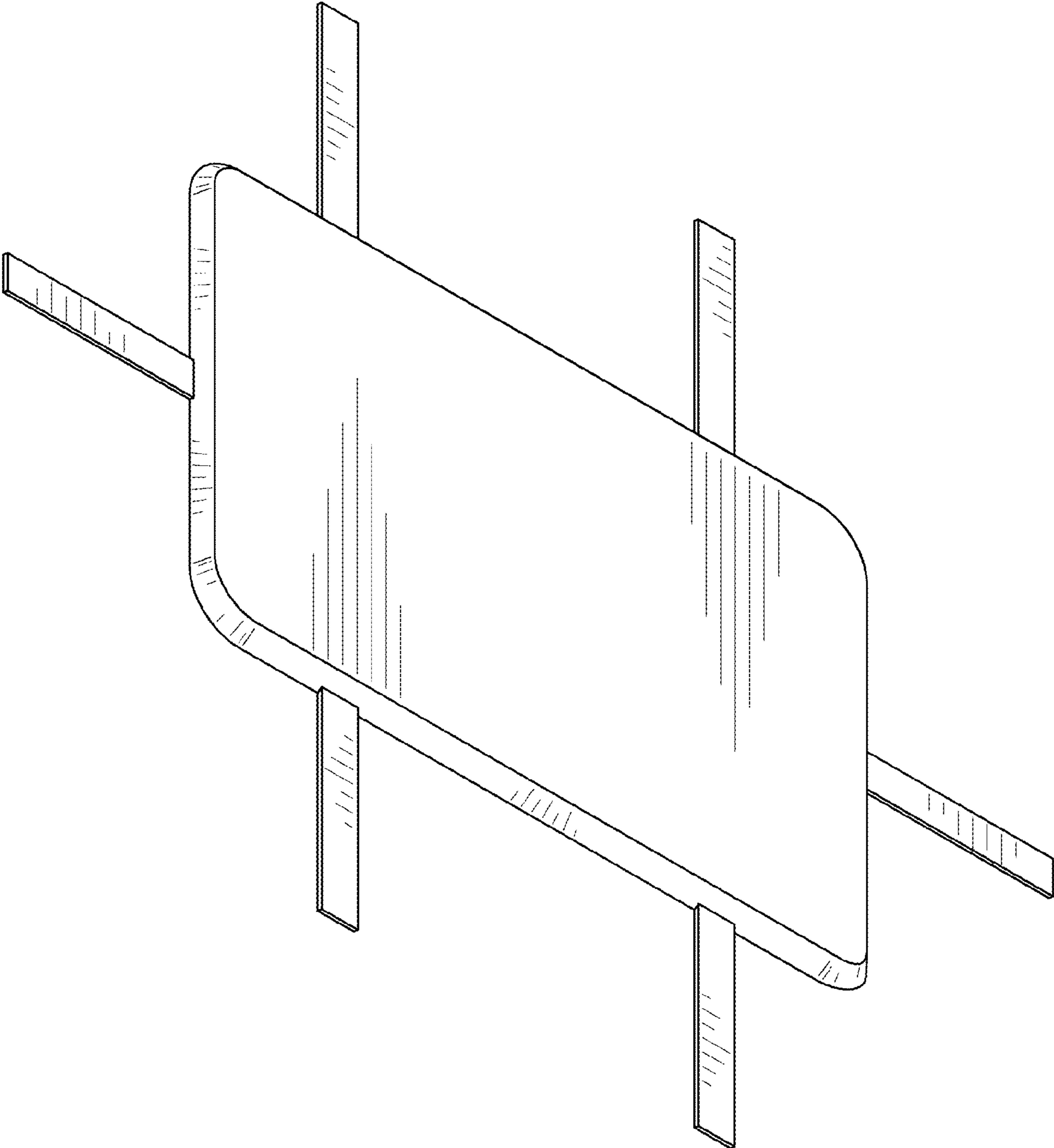


FIG. 24

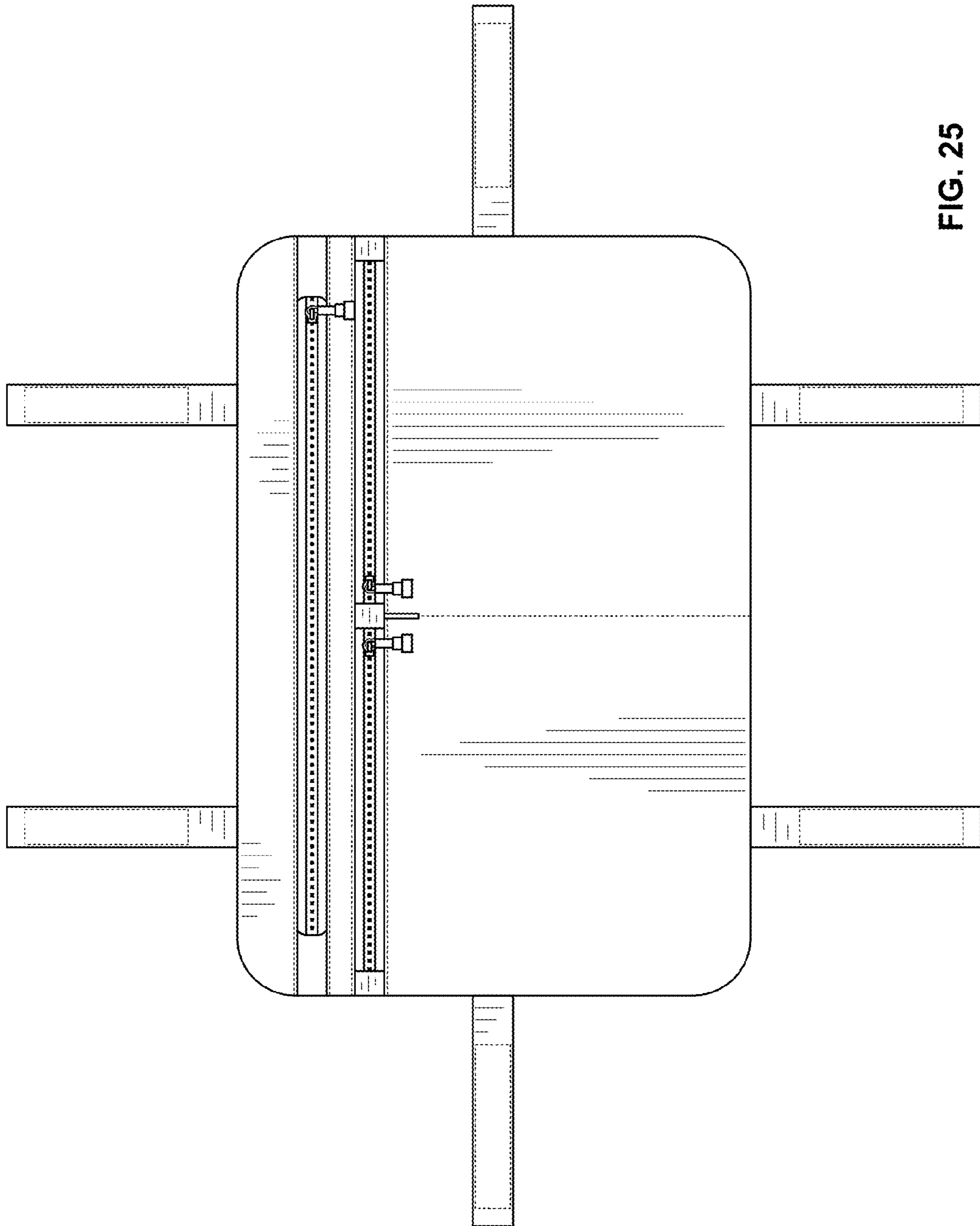


FIG. 25

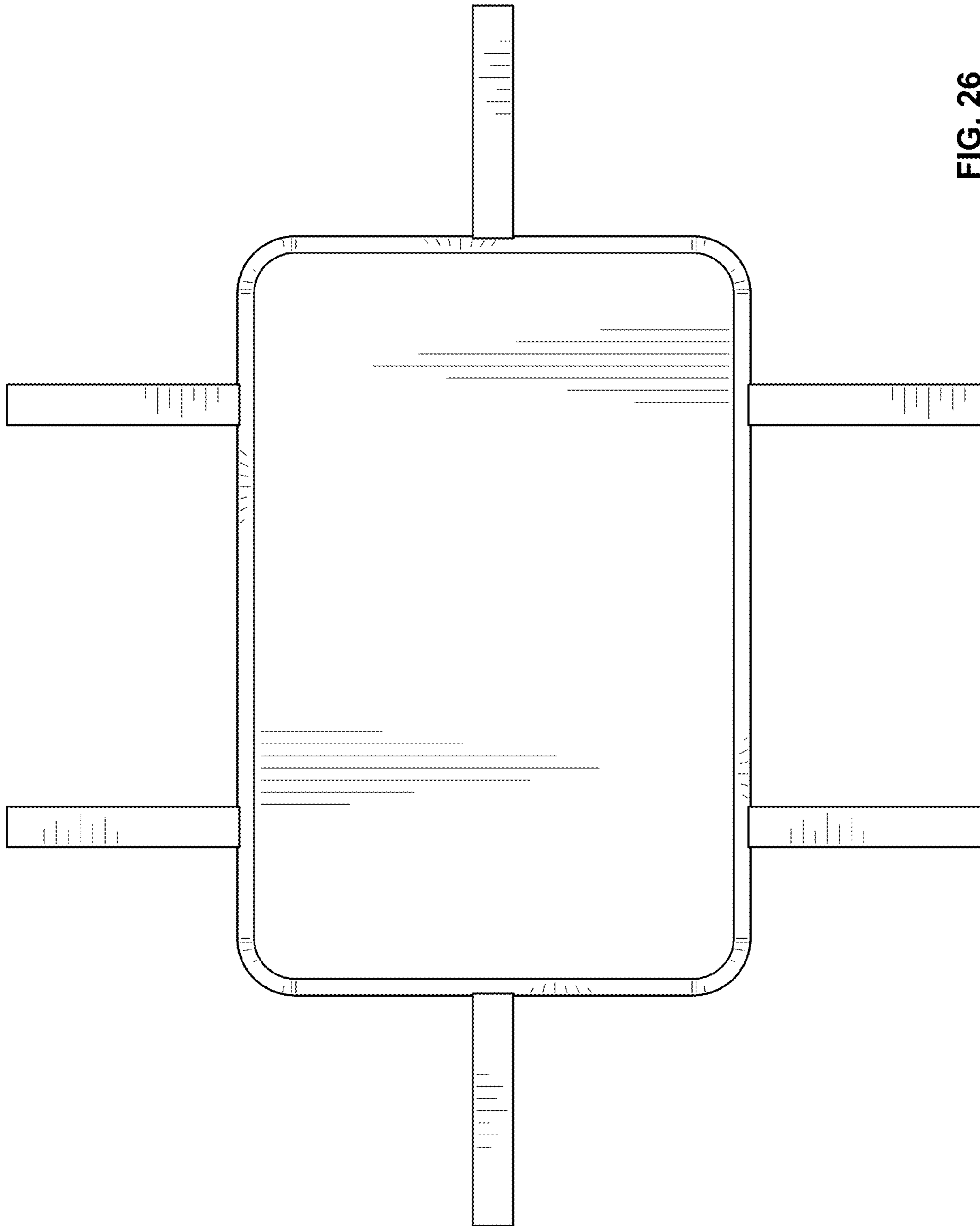


FIG. 26

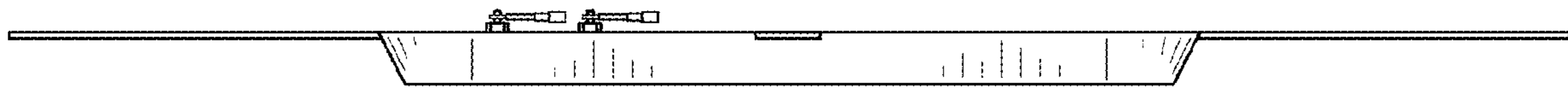


FIG. 28

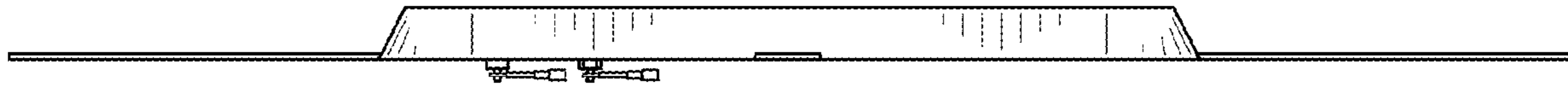


FIG. 27

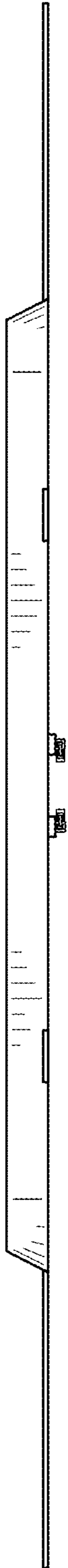


FIG. 29

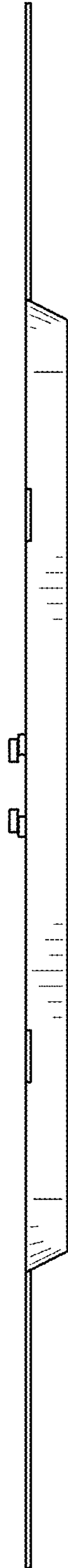


FIG. 30

UNITED STATES PATENT AND TRADEMARK OFFICE
CERTIFICATE OF CORRECTION

PATENT NO. : D904,829 S
APPLICATION NO. : 29/673077
DATED : December 15, 2020
INVENTOR(S) : Nichols et al.

Page 1 of 1

It is certified that error appears in the above-identified patent and that said Letters Patent is hereby corrected as shown below:

Page 11, Column 2, under item (56), Description, Line 11:
Delete "design." and insert --design;--

Page 12, Column 1, under item (56), Description, Line 11:
After "is", insert --a--

Signed and Sealed this
Twenty-fifth Day of May, 2021



Drew Hirshfeld
*Performing the Functions and Duties of the
Under Secretary of Commerce for Intellectual Property and
Director of the United States Patent and Trademark Office*