



US00D904827S

(12) **United States Design Patent** (10) **Patent No.:** **US D904,827 S**
Stanton (45) **Date of Patent:** **** Dec. 15, 2020**

(54) **INSULATED TUMBLER WITH LID**
(71) Applicant: **Healthy Human, LLC**, Mt. Pleasant, SC (US)
(72) Inventor: **Richard John Stanton**, Mt. Pleasant, SC (US)
(73) Assignee: **Healthy Human, LLC**, Mt. Pleasant, SC (US)

(**) Term: **15 Years**

(21) Appl. No.: **29/630,139**

(22) Filed: **Dec. 19, 2017**

(51) **LOC (12) Cl.** **07-01**

(52) **U.S. Cl.**
USPC **D7/510; D7/511; D7/532**

(58) **Field of Classification Search**
USPC D7/507, 509, 510, 511, 523, 532, 533, D7/536, 300.1, 608, 392.1, 396.2, 387, D7/397, 398, 534; D9/435, 449; 220/200, 592.16, 592.17; D3/202
CPC A47J 43/27; A47J 41/02; A47J 41/0077; A47G 19/22; A47G 19/2288; A47G 19/2205

See application file for complete search history.

(56) **References Cited**

U.S. PATENT DOCUMENTS

D282,134 S * 1/1986 Durand D7/523
D417,819 S * 12/1999 Kelly-Pollet D7/510
D490,655 S * 6/2004 Zettle D7/532
D516,859 S * 3/2006 Zettle D7/392.1
D790,921 S * 7/2017 Lapsker D7/510
D804,905 S * 12/2017 Seiders D7/510

D810,511 S * 2/2018 Harrington, III D7/511
D811,817 S * 3/2018 Harrington, III D7/510
D812,979 S * 3/2018 Seiders D7/532
D813,605 S * 3/2018 Seiders D7/532
D817,069 S * 5/2018 Tosdale D7/354
D820,480 S * 6/2018 Kaliroff D26/7
D822,428 S * 7/2018 Thuma D7/392.1
D823,062 S * 7/2018 Goodwin D7/511
D833,818 S * 11/2018 Sletten D7/510
D842,028 S * 3/2019 Melanson D7/392.1
D845,064 S * 4/2019 Mulhauser D7/392.1
2003/0052126 A1 * 3/2003 Zettle B65D 43/0212
220/254.3
2018/0168375 A1 * 6/2018 Ferraro B65D 81/3216
2018/0310766 A1 * 11/2018 Lapsker B65D 81/3886

* cited by examiner

Primary Examiner — Jae Liang

(74) *Attorney, Agent, or Firm* — Gregory Finch; Finch Paolino, LLC

(57) **CLAIM**

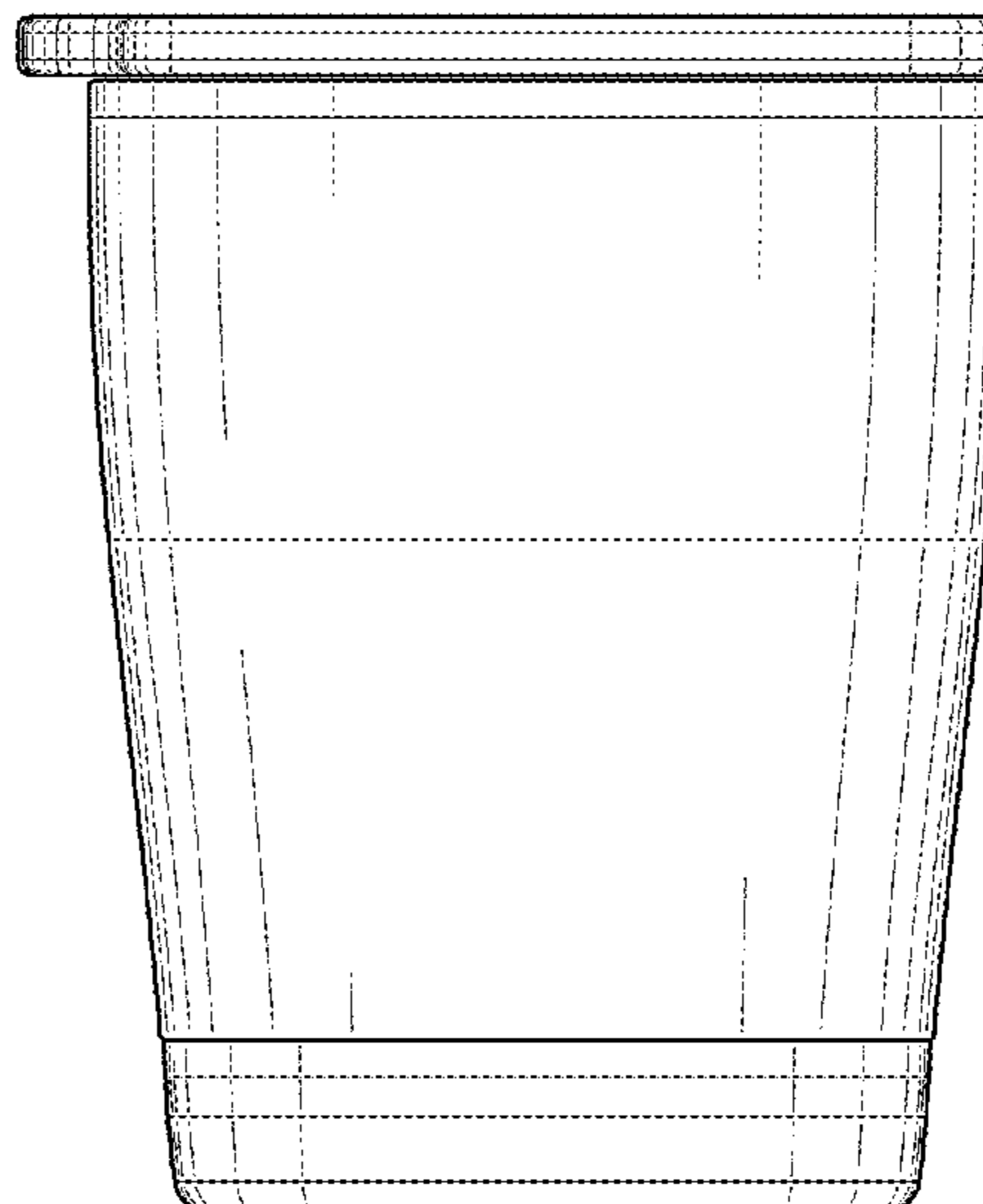
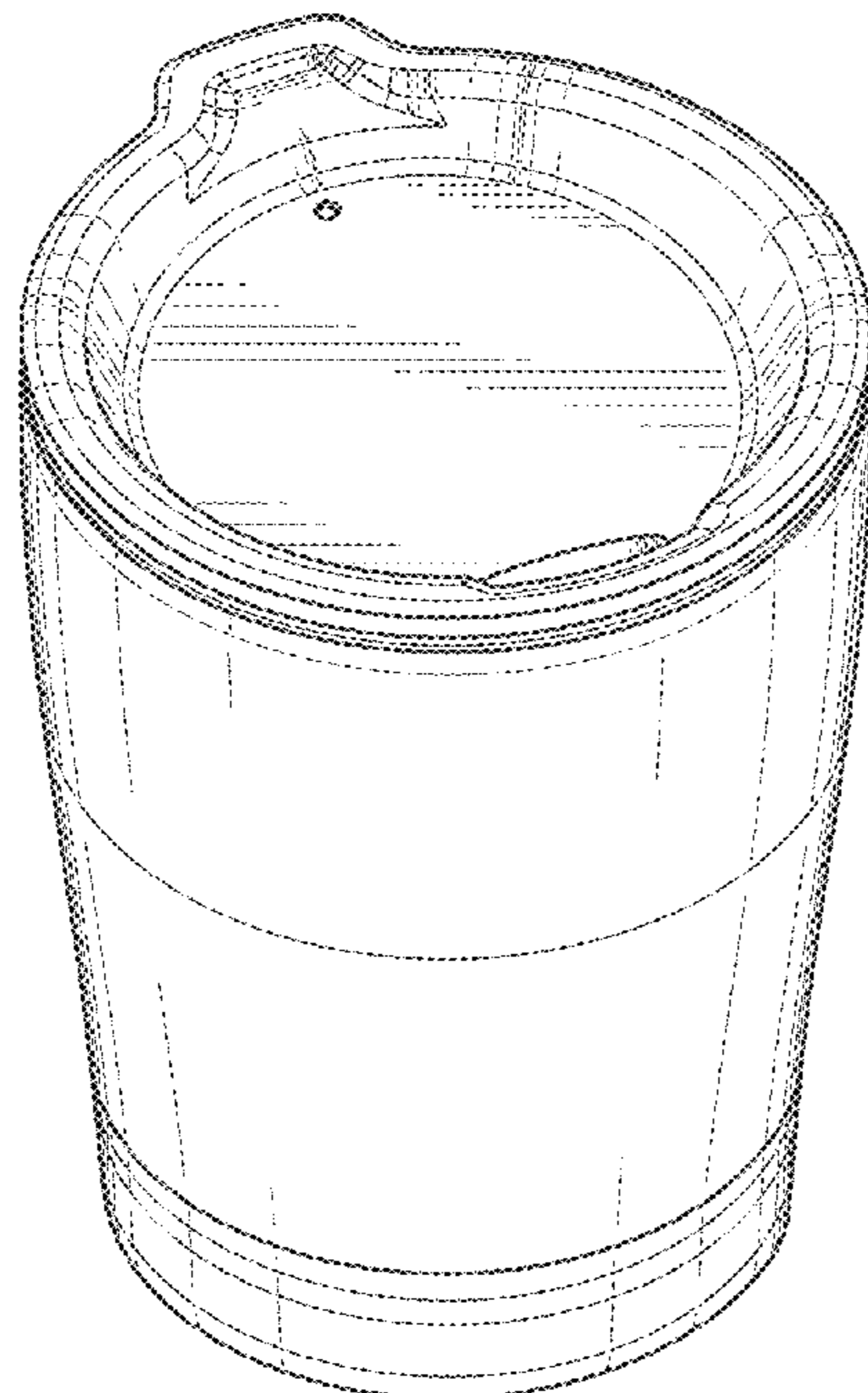
The ornamental design for an insulated tumbler with lid, as shown and described.

DESCRIPTION

FIG. 1 is an isometric view of an insulated tumbler with lid showing my new design;
FIG. 2 is a front view thereof;
FIG. 3 is a rear view thereof;
FIG. 4 is a left side view thereof;
FIG. 5 is a right side view thereof;
FIG. 6 is a bottom view thereof; and,
FIG. 7 is a top view thereof.

The broken lines in the drawings depict portions of the insulated tumbler with lid that form no part of the claimed design.

1 Claim, 7 Drawing Sheets



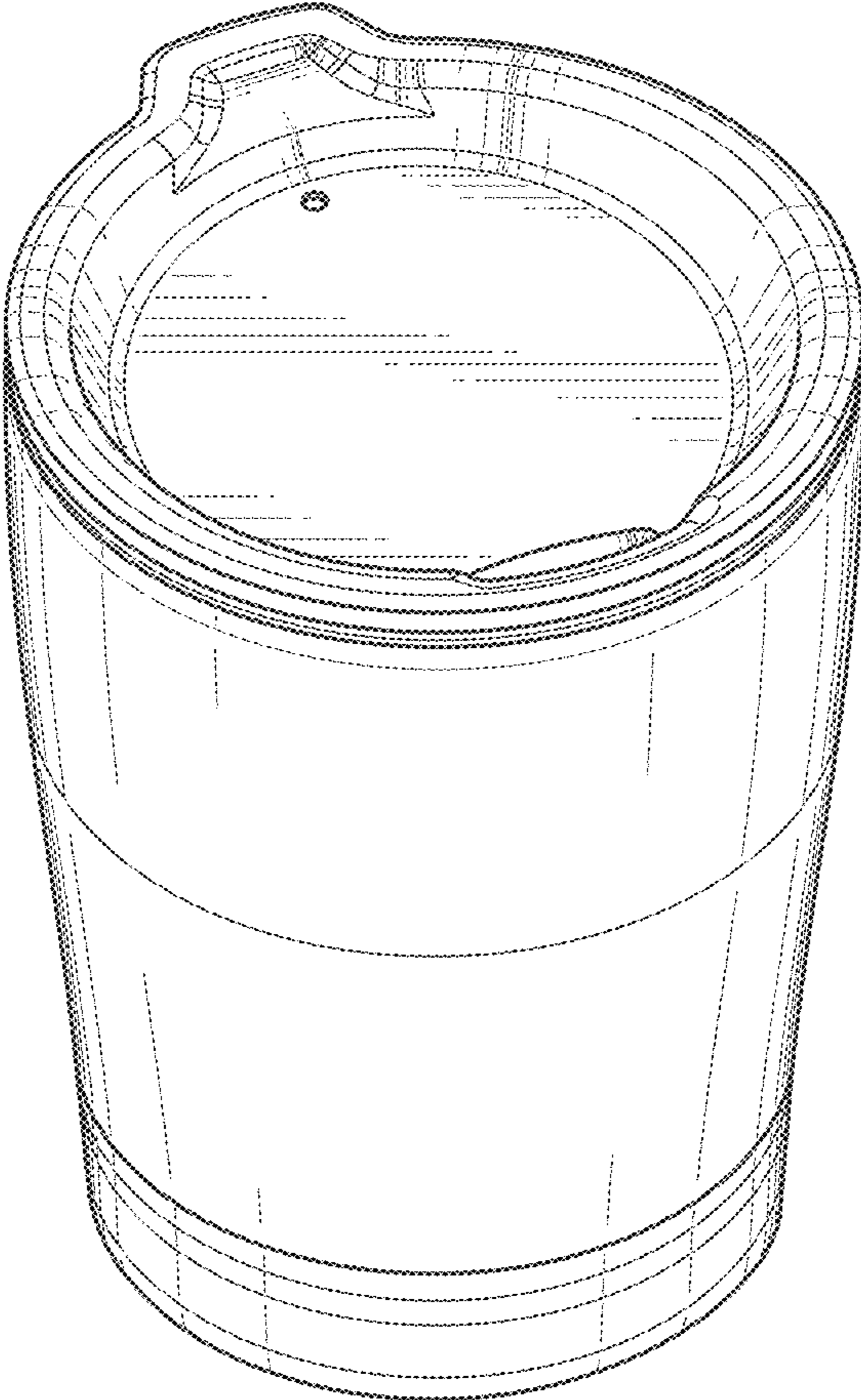


Fig. 1

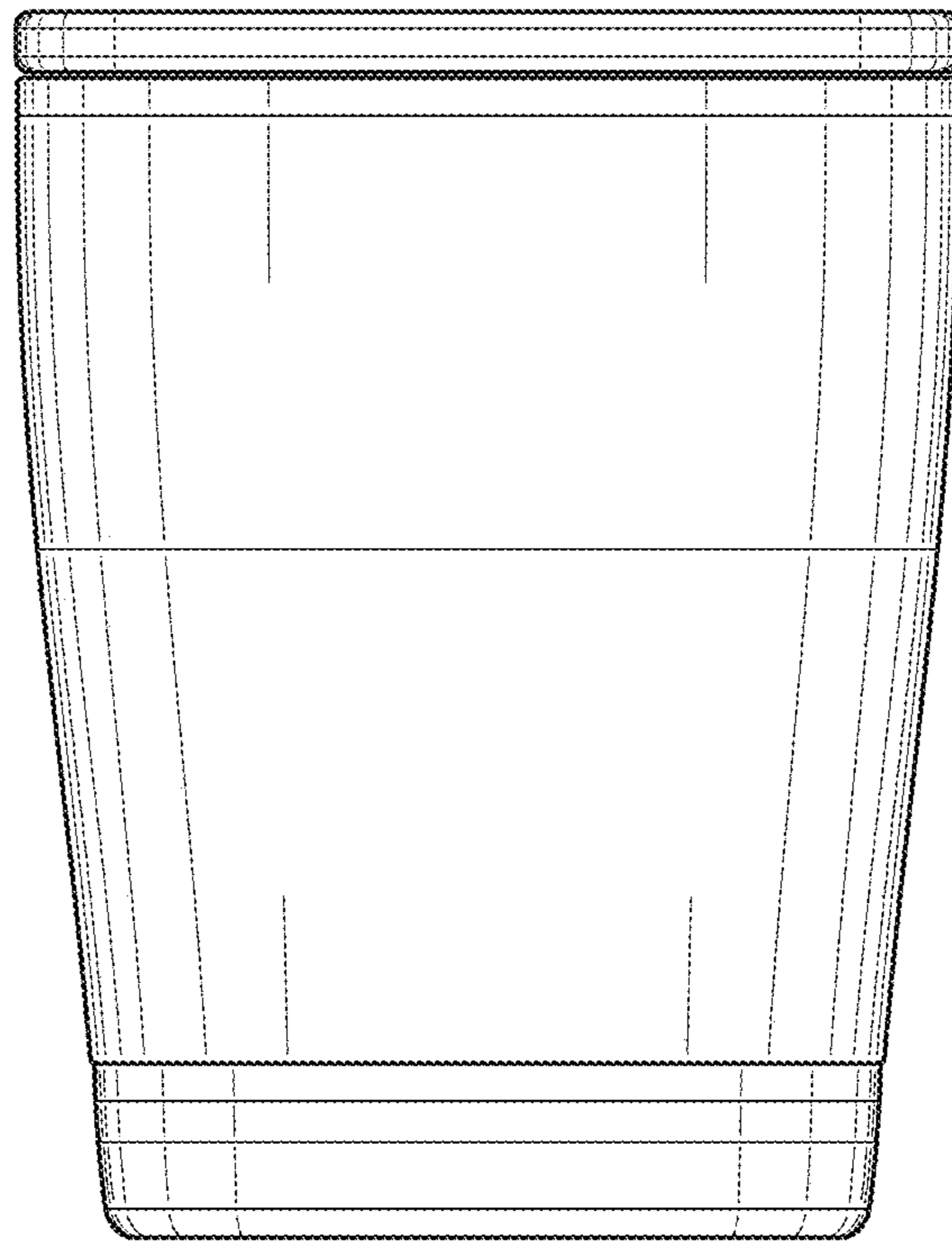


Fig. 2

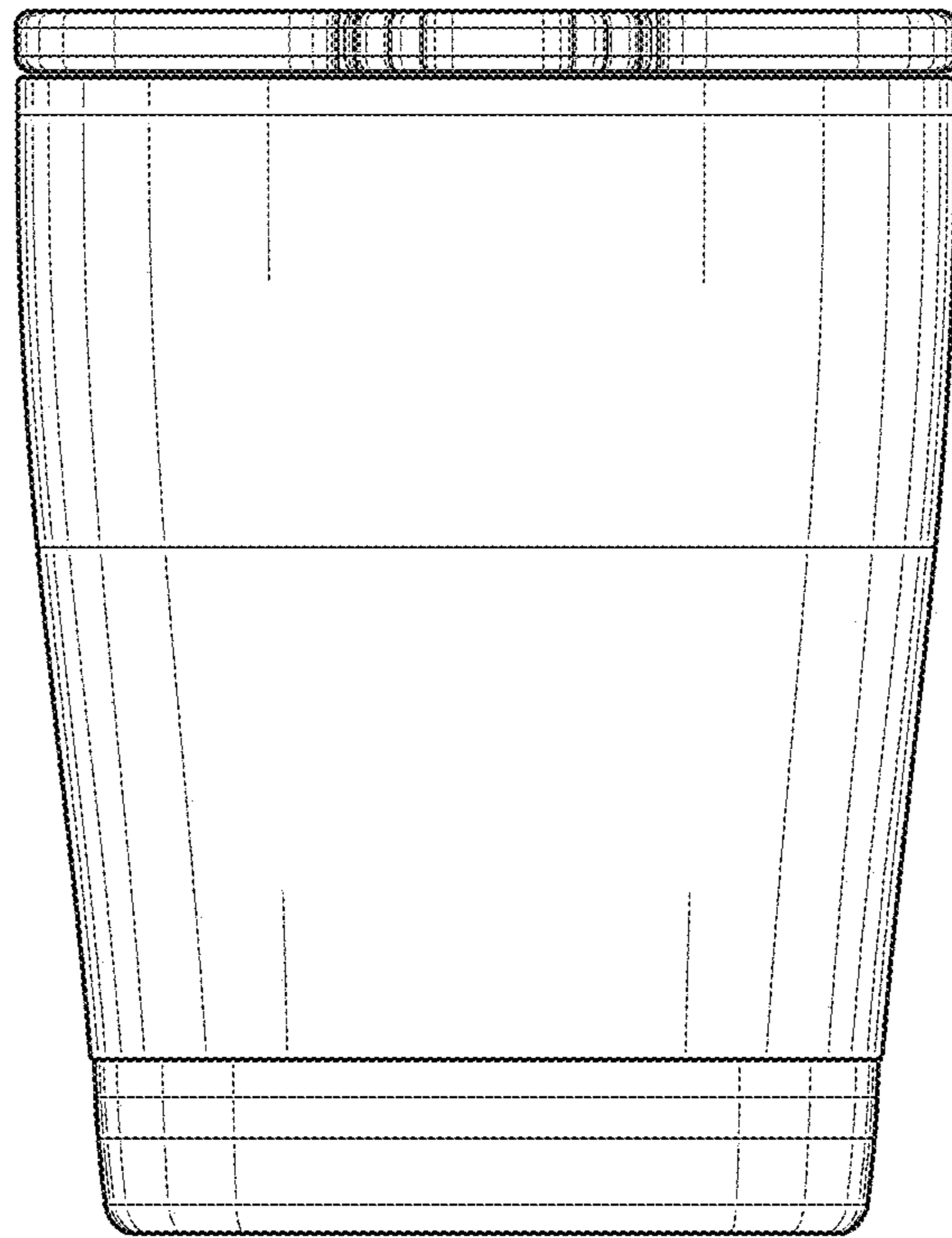


Fig. 3

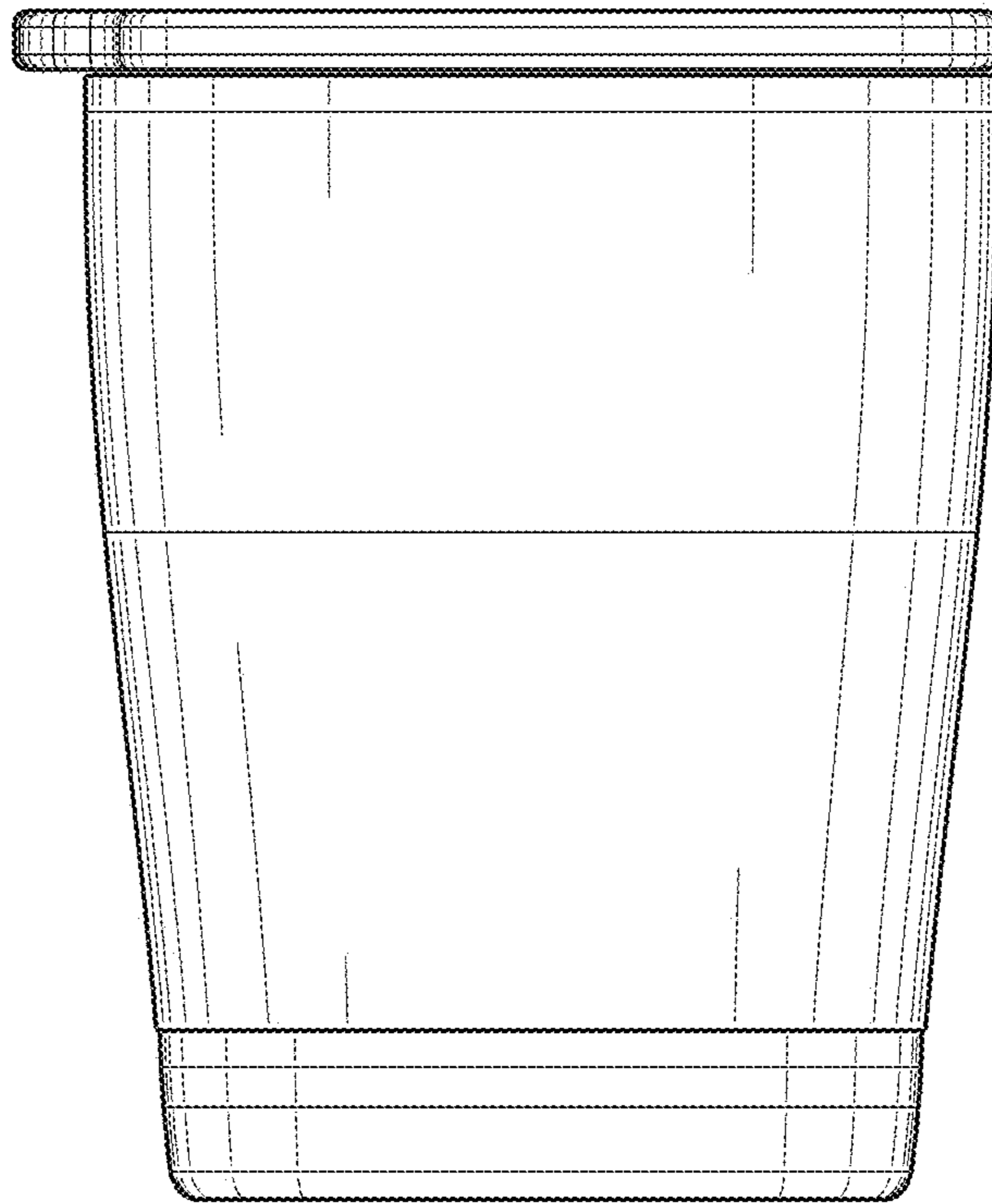


Fig. 4

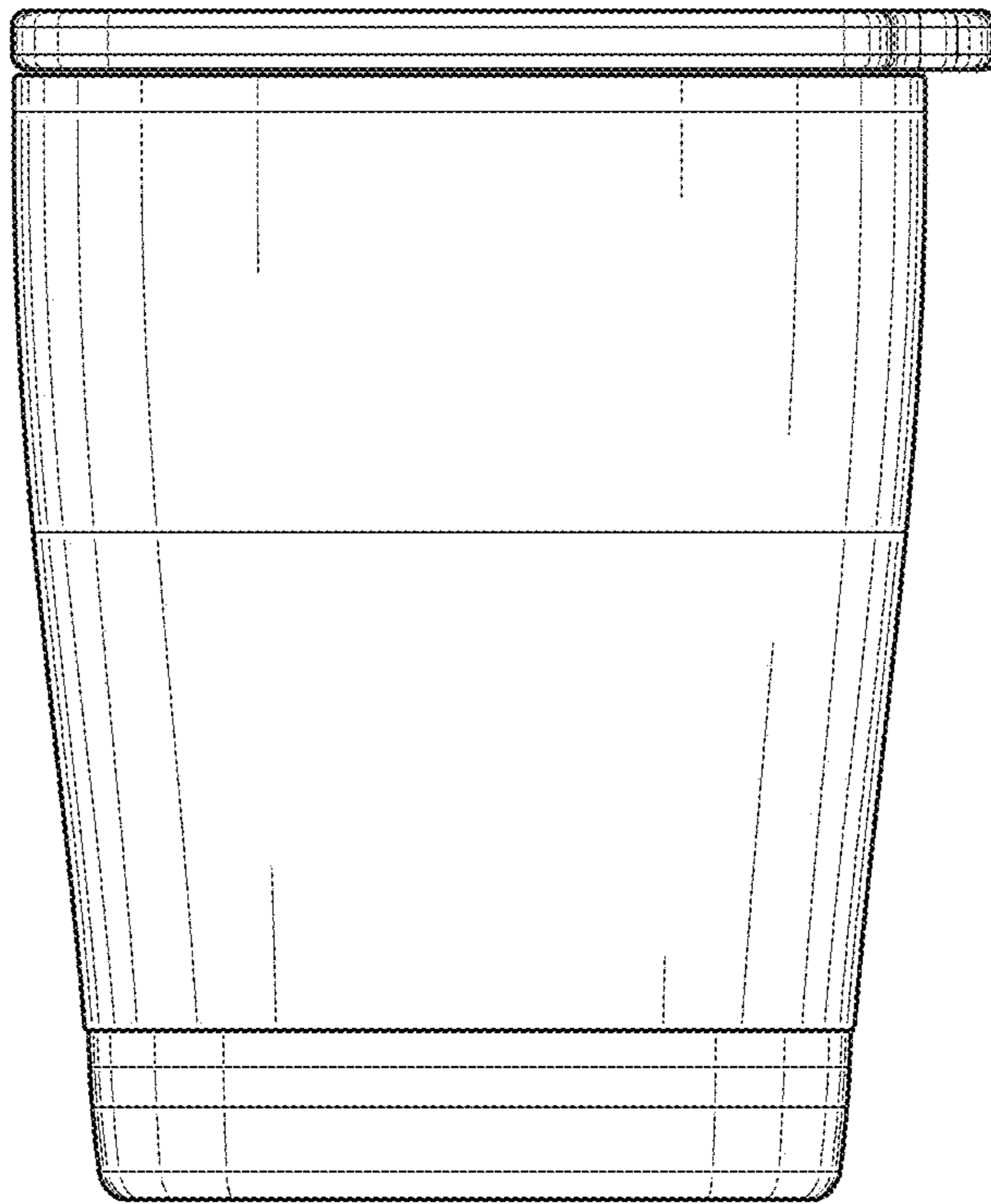


Fig. 5

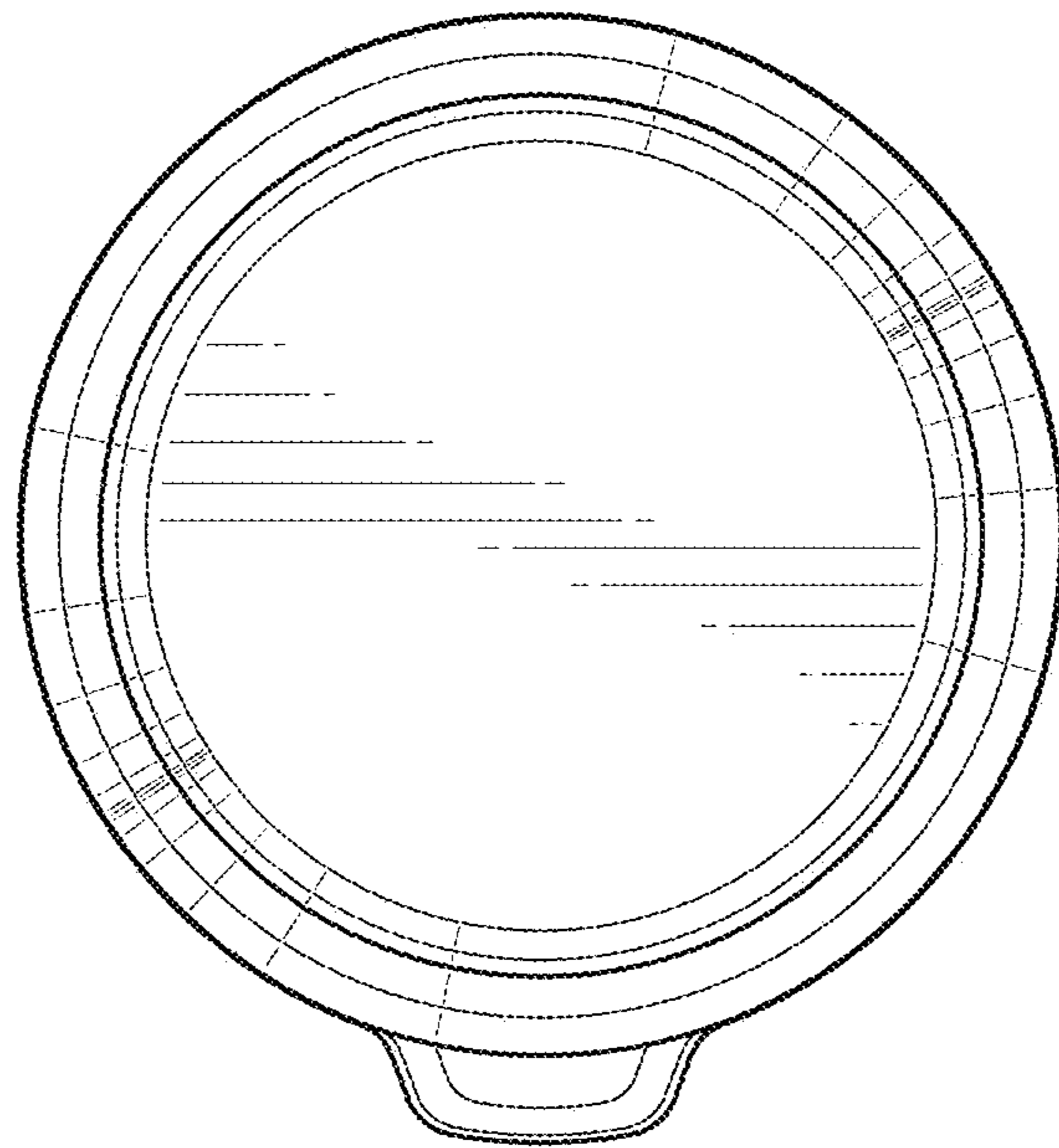


Fig. 6

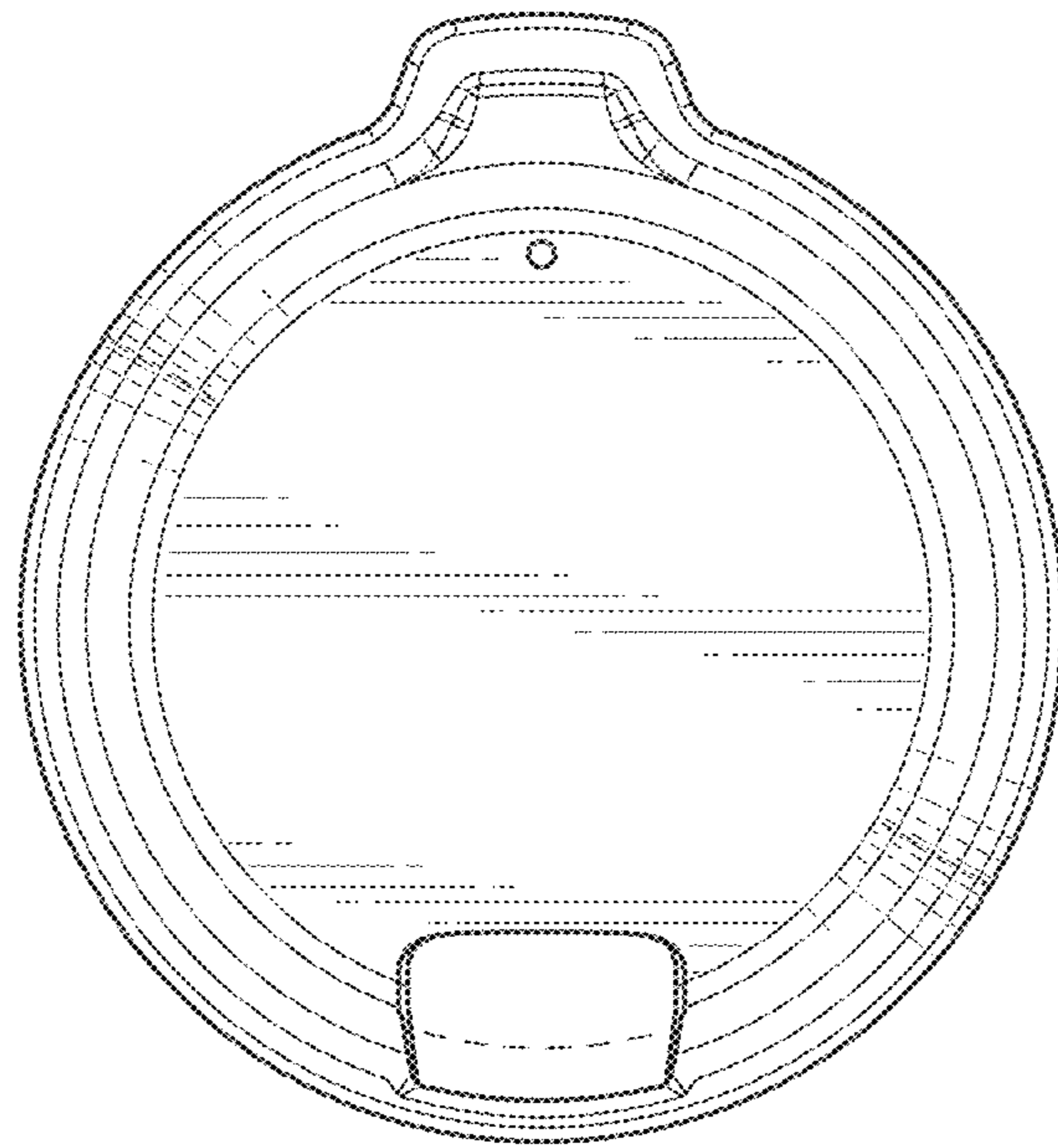


Fig. 7