



US00D904826S

(12) **United States Design Patent** (10) **Patent No.:** **US D904,826 S**
Funnell, II et al. (45) **Date of Patent:** **** *Dec. 15, 2020**

- (54) **DOUBLE OVEN DOOR**
- (71) Applicant: **BSH Home Appliances Corporation**, Irvine, CA (US)
- (72) Inventors: **Richard W. Funnell, II**, Huntington Beach, CA (US); **Andrew Roberson**, Long Beach, CA (US); **Graham Sadtler**, Huntington Beach, CA (US)
- (73) Assignee: **BSH Home Appliances Corporation**, Irvine, CA (US)
- (*) Notice: This patent is subject to a terminal disclaimer.
- (**) Term: **15 Years**
- (21) Appl. No.: **29/639,828**
- (22) Filed: **Mar. 9, 2018**

Related U.S. Application Data

- (62) Division of application No. 29/540,048, filed on Sep. 21, 2015, now Pat. No. Des. 846,349, which is a division of application No. 29/456,401, filed on May 31, 2013, now Pat. No. Des. 745,310.
- (51) **LOC (12) Cl.** **07-99**
- (52) **U.S. Cl.**
USPC **D7/405**
- (58) **Field of Classification Search**
USPC D7/402-407, 346-349, 323, 339-340, D7/350.1-350.4, 351, 332
CPC H05B 1/0261; H05B 1/0263; F24C 3/00; F24C 3/002; F24C 5/00; F24C 7/00; F24C 15/02
See application file for complete search history.

(56) **References Cited**

U.S. PATENT DOCUMENTS

D736,027 S *	8/2015	Funnell, II	D7/339
D736,553 S *	8/2015	Funnell, II	D7/339
D741,104 S *	10/2015	Funnell, II	D7/348
D745,310 S *	12/2015	Funnell, II	D7/349
D745,311 S *	12/2015	Funnell, II	D7/349
D747,912 S *	1/2016	Funnell, II	D7/348
D748,424 S *	2/2016	Funnell, II	D7/348
D750,413 S *	3/2016	Funnell, II	D7/348
D750,414 S *	3/2016	Funnell, II	D7/348
D751,854 S *	3/2016	Funnell, II	D7/349
D762,415 S *	8/2016	Chung	D7/405
D784,751 S *	4/2017	Funnell, II	D7/348
D784,752 S *	4/2017	Funnell, II	D7/348
D785,399 S *	5/2017	Funnell, II	D7/349
D786,611 S *	5/2017	Funnell, II	D7/348
D836,393 S *	12/2018	Taccardi	D7/405
D840,184 S *	2/2019	Kim	D7/349

* cited by examiner

Primary Examiner — Michelle E. Wilson
(74) *Attorney, Agent, or Firm* — Michael E. Tschupp; Andre Pallapies; Brandon G. Braun

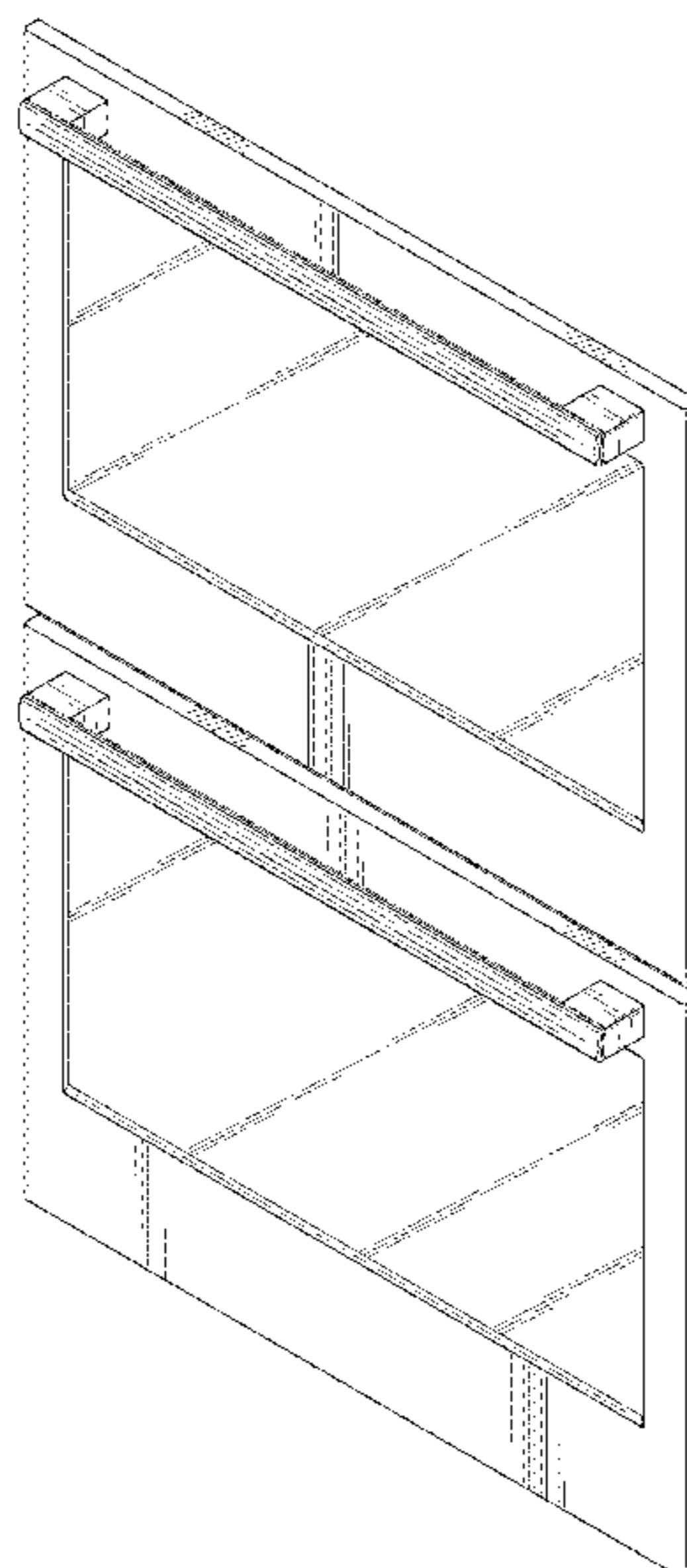
(57) **CLAIM**

The ornamental design for a double oven door, as shown and described.

DESCRIPTION

FIG. 1 is a front perspective view of a double oven door showing our new ornamental design; FIG. 2 a front view thereof; FIG. 3 is a top view thereof with the bottom view thereof being a mirror image thereof; FIG. 4 is a right side view thereof, with the left side view thereof being a mirror image thereof; and, FIG. 5 is a similar perspective view thereof in a sample environmental setting. The broken lines represent environment and form no part of the claimed design.

1 Claim, 4 Drawing Sheets



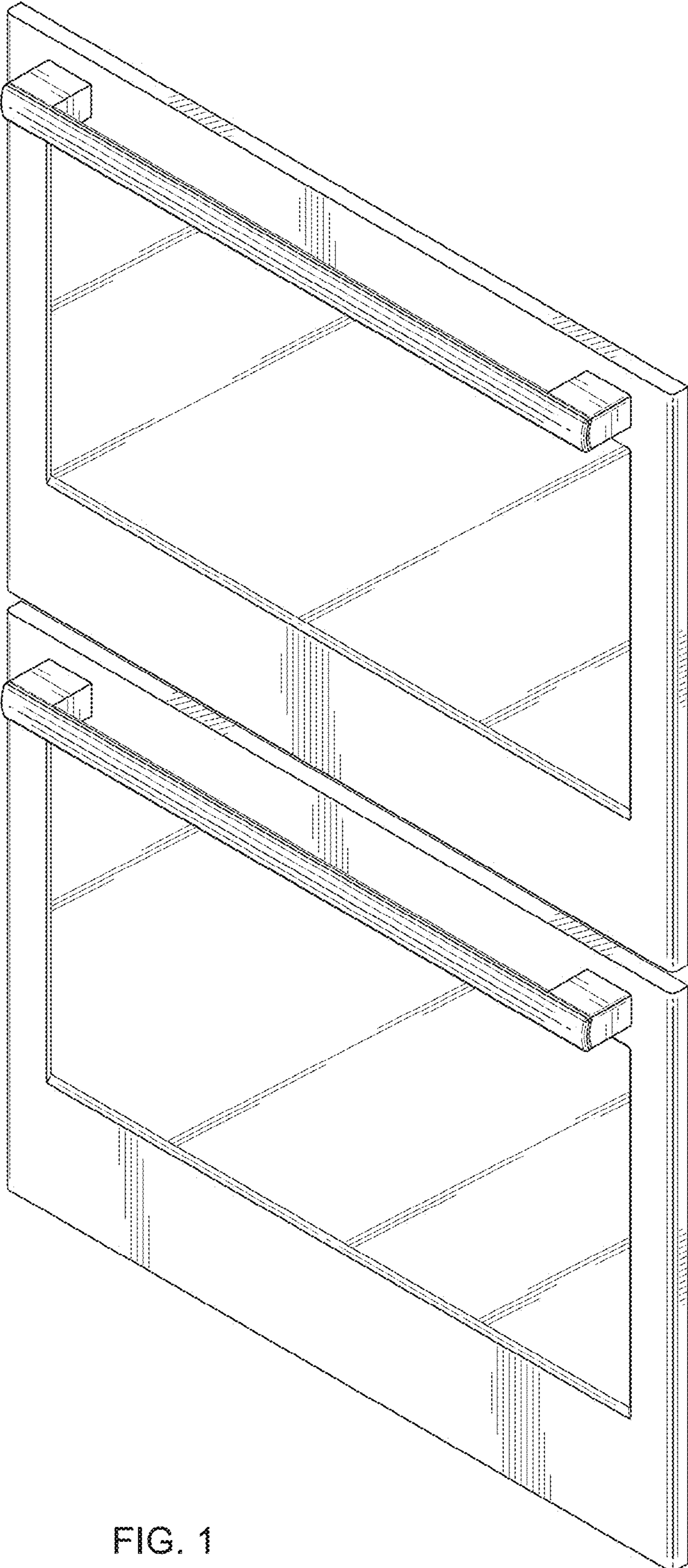


FIG. 1

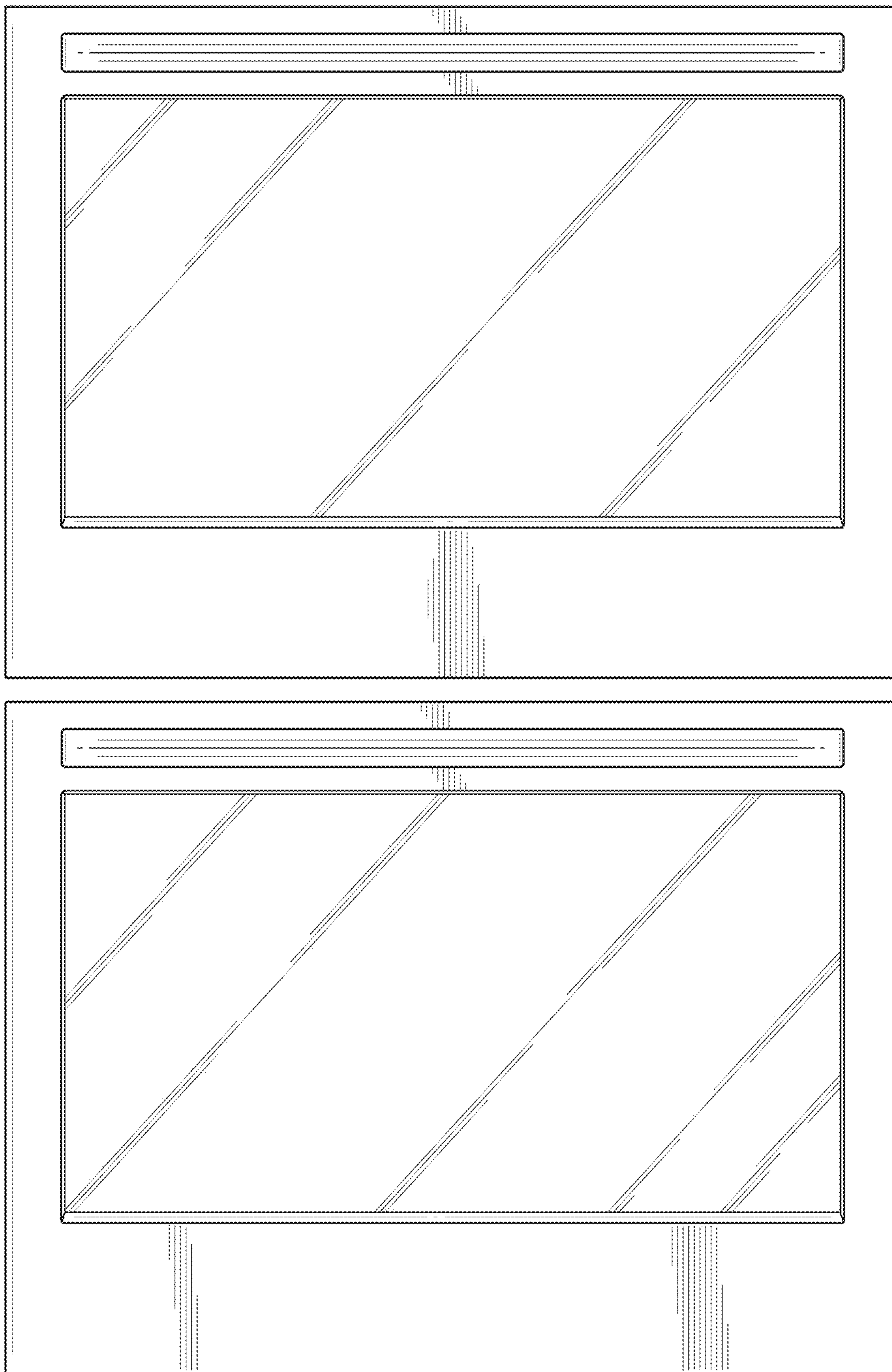


FIG. 2

FIG. 3

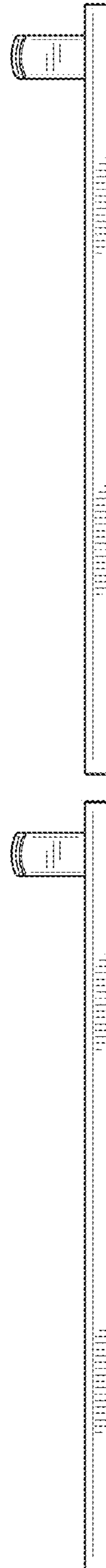
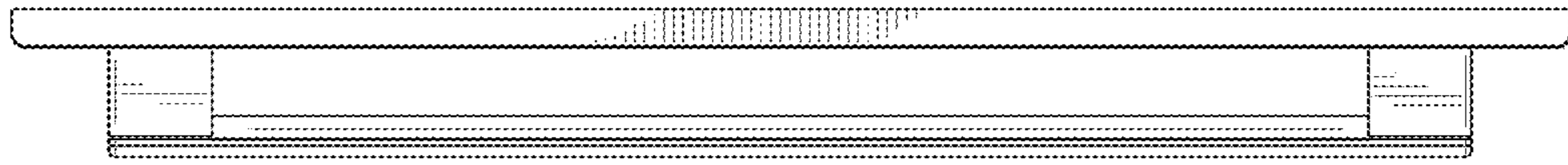


FIG. 4

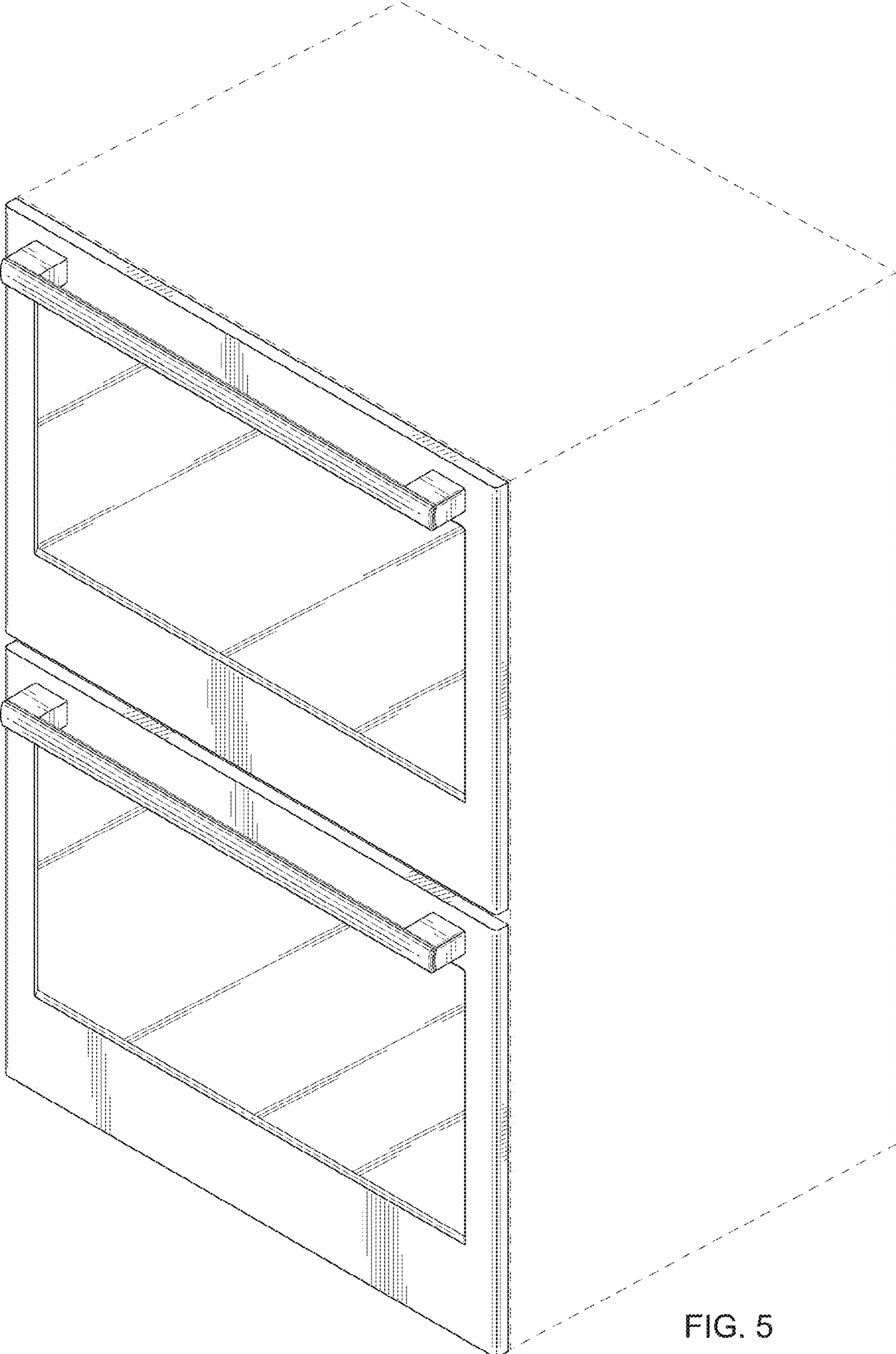


FIG. 5