



US00D904825S

(12) **United States Design Patent** (10) **Patent No.:** **US D904,825 S**
Schmidt (45) **Date of Patent:** **** Dec. 15, 2020**

(54) **PLASTIC MUG**
(71) Applicant: **Plastic Jack, LLC**, St. Louis, MO (US)
(72) Inventor: **Jeffrey R. Schmidt**, Ballwin, MO (US)
(73) Assignee: **Plastic Jack, LLC**, St. Louis, MO (US)
(**) Term: **15 Years**

(21) Appl. No.: **29/660,748**
(22) Filed: **Aug. 22, 2018**
(51) **LOC (12) Cl.** **07-99**
(52) **U.S. Cl.**
USPC **D7/394**
(58) **Field of Classification Search**
USPC D7/394, 509, 533, 535, 536, 543, 318,
D7/600, 622, 354, 361, 393, 395;
D9/531, 443
CPC A47G 19/22; A47G 19/2205; A47G
19/2272; B65D 2525/28; B65D 5/46;
B65D 5/46072
See application file for complete search history.

(56) **References Cited**
U.S. PATENT DOCUMENTS
2,251,017 A * 7/1941 Jopson A47G 23/0216
229/402
D171,848 S * 3/1954 Felver D7/394
D549,523 S * 8/2007 Montes D7/509
D594,273 S * 6/2009 Rae D7/394

D613,997 S * 4/2010 Kingsley D7/536
D711,684 S * 8/2014 Perdomo D7/394
D783,342 S * 4/2017 Barberi D7/394
D846,940 S * 4/2019 Gabbay D7/394
D883,748 S * 5/2020 Rostohar D7/533
D885,138 S * 5/2020 Braidotti D7/536
2013/0221013 A1 * 8/2013 Kolowich A47G 19/127
220/592.17

* cited by examiner
Primary Examiner — Susan E Krakower
Assistant Examiner — Andrew Kerr
(74) *Attorney, Agent, or Firm* — Thompson Coburn LLP

(57) **CLAIM**
The ornamental design for a plastic mug, as shown and described.

DESCRIPTION
FIG. 1 is a first perspective view of a plastic mug showing my new design;
FIG. 2 is a second perspective view thereof;
FIG. 3 is a third perspective view thereof;
FIG. 4 is a top view thereof;
FIG. 5 is a bottom view thereof;
FIG. 6 is a side view thereof; and,
FIG. 7 is a front view thereof (the rear view being a mirror image thereof).
The broken lines in the drawings depict portions of the plastic mug that form no part of the claimed design.

1 Claim, 7 Drawing Sheets

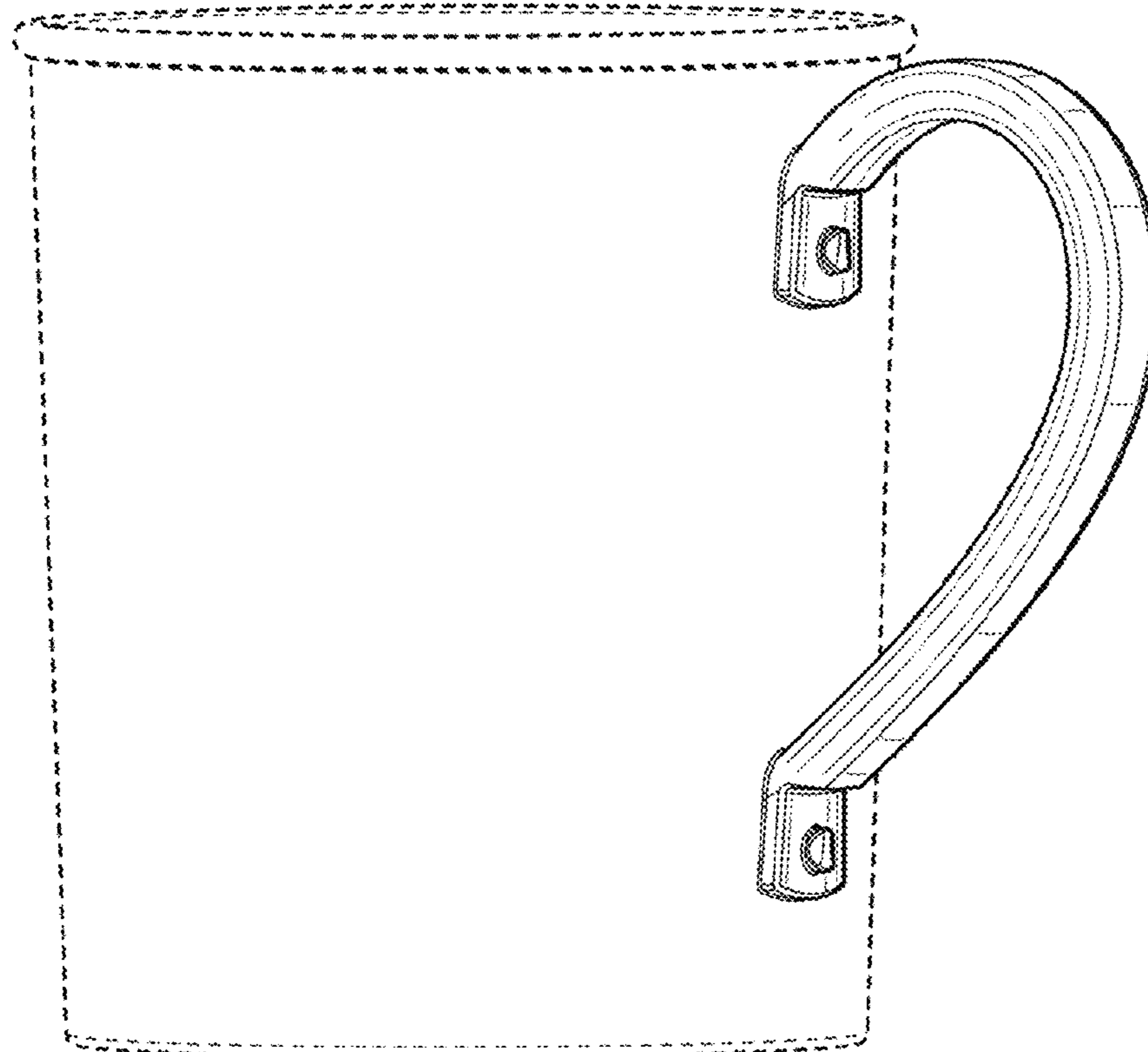




FIG. 1

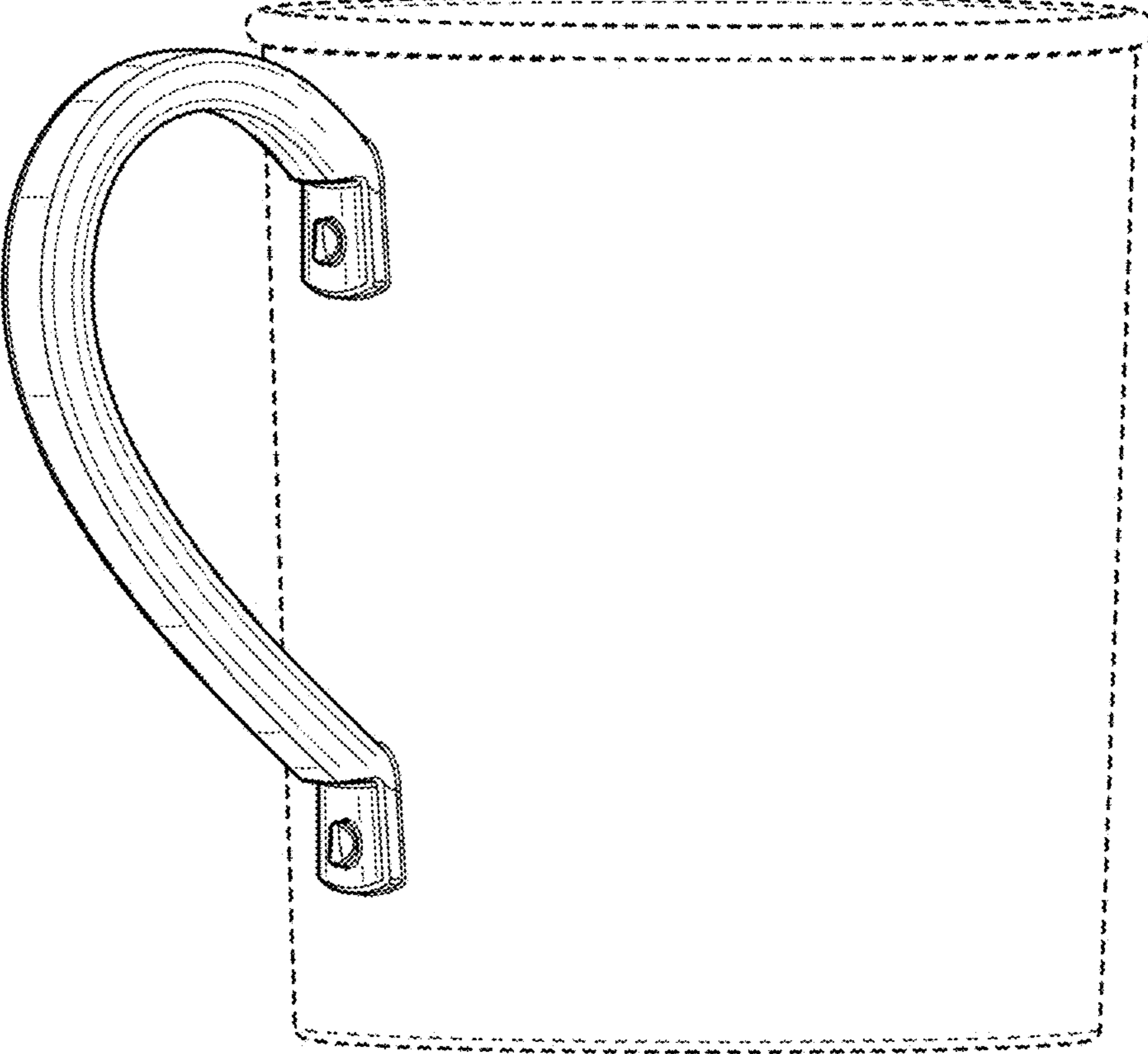


FIG. 2

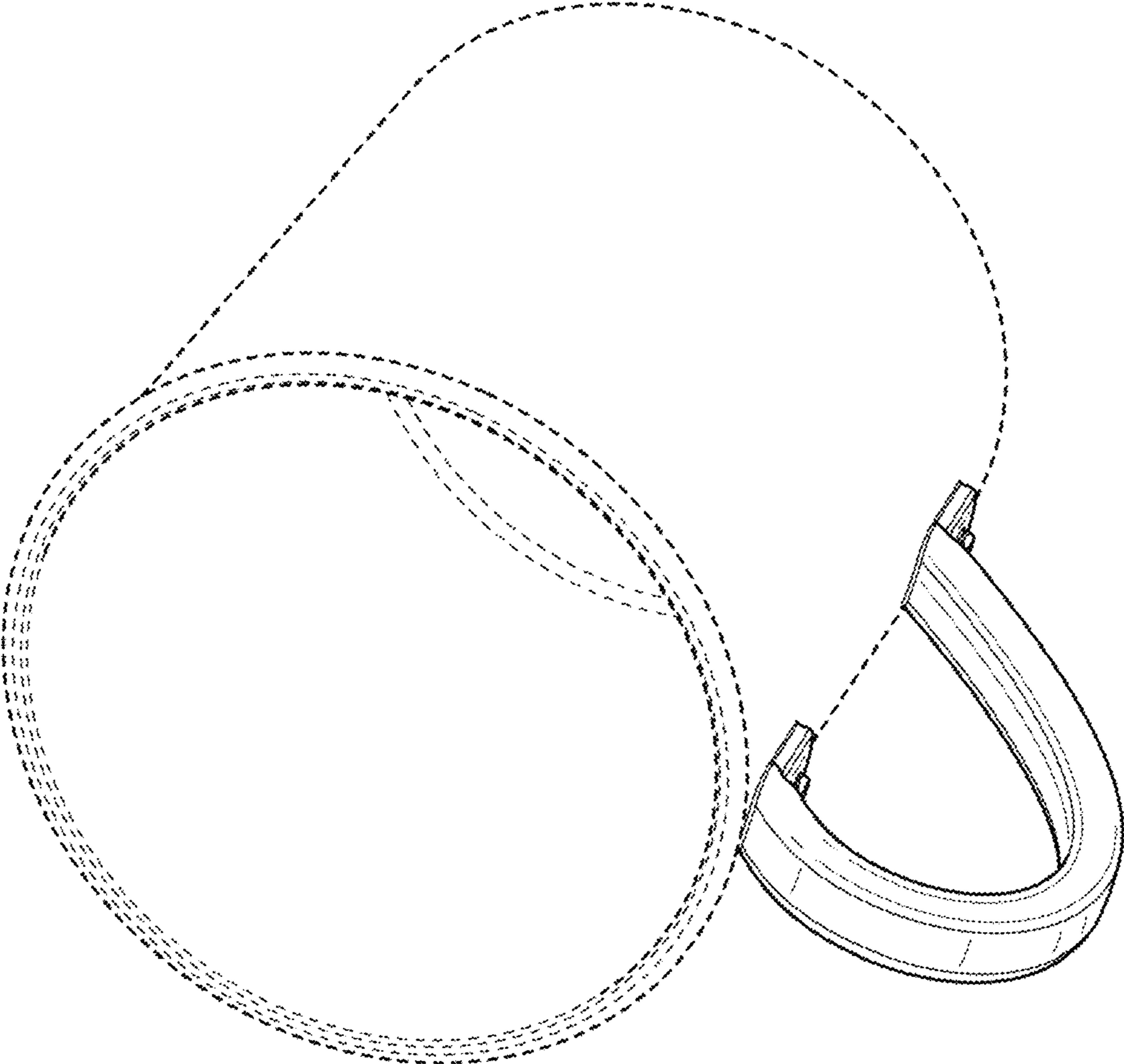


FIG. 3

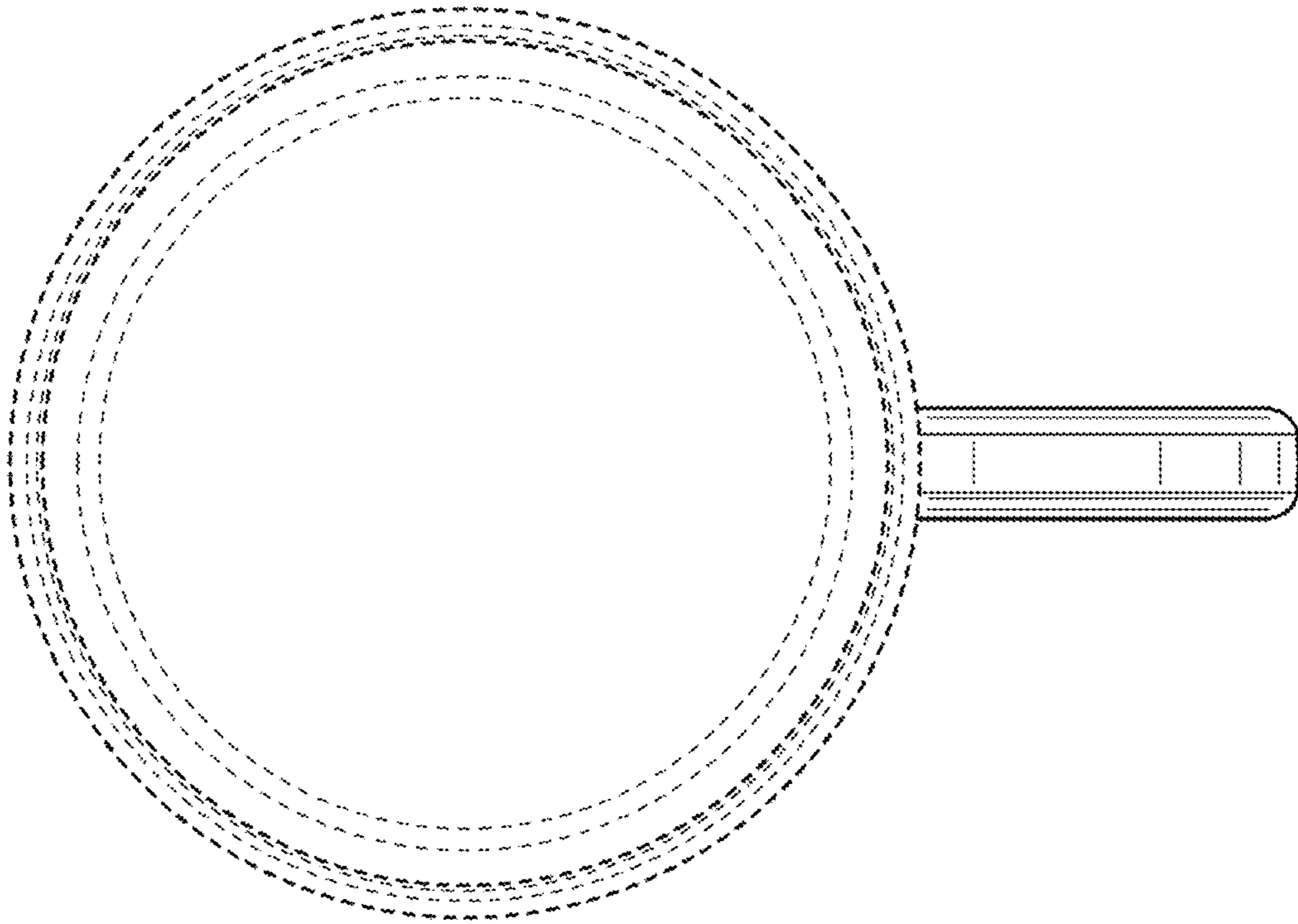


FIG. 4

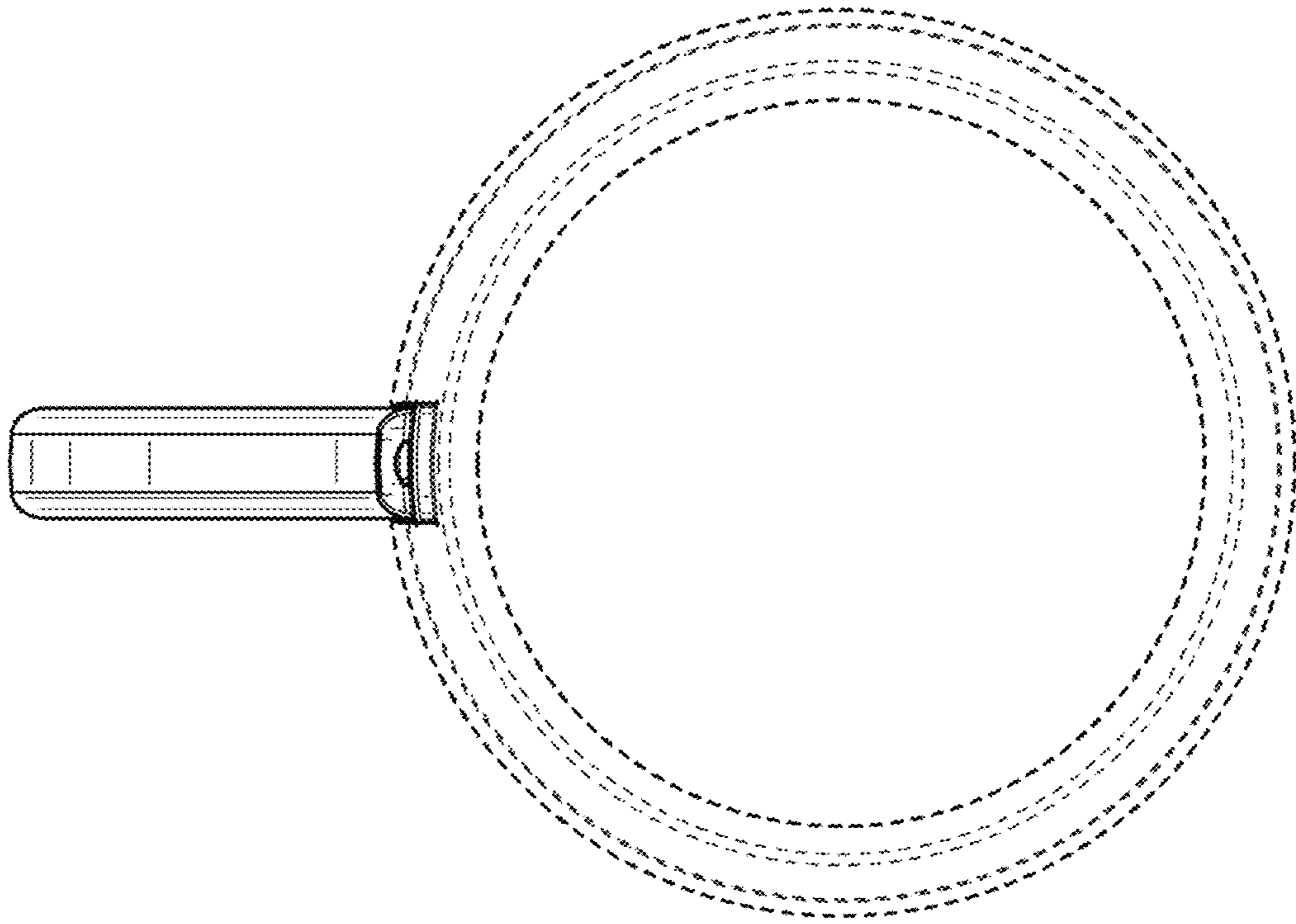


FIG. 5

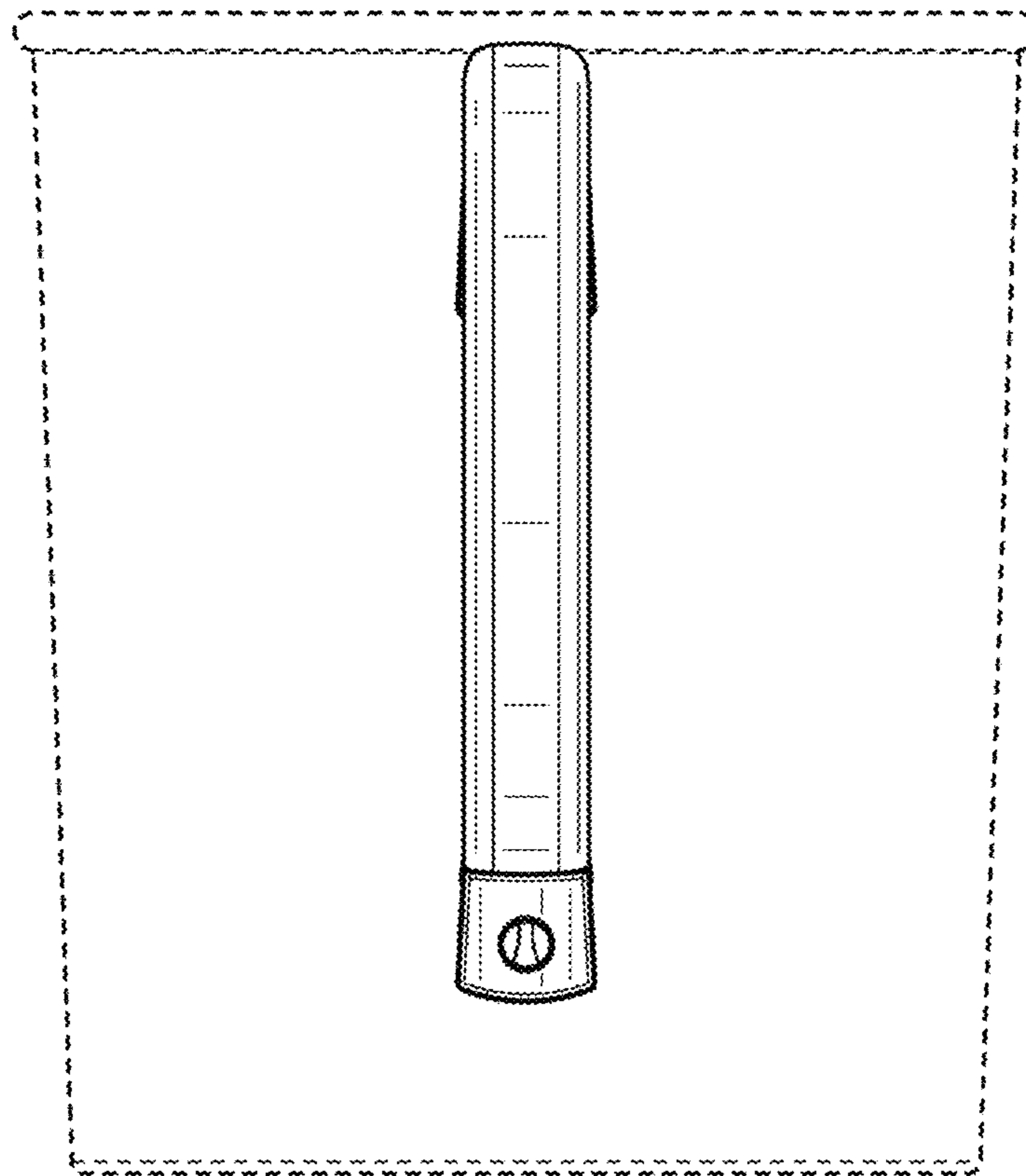


FIG. 6

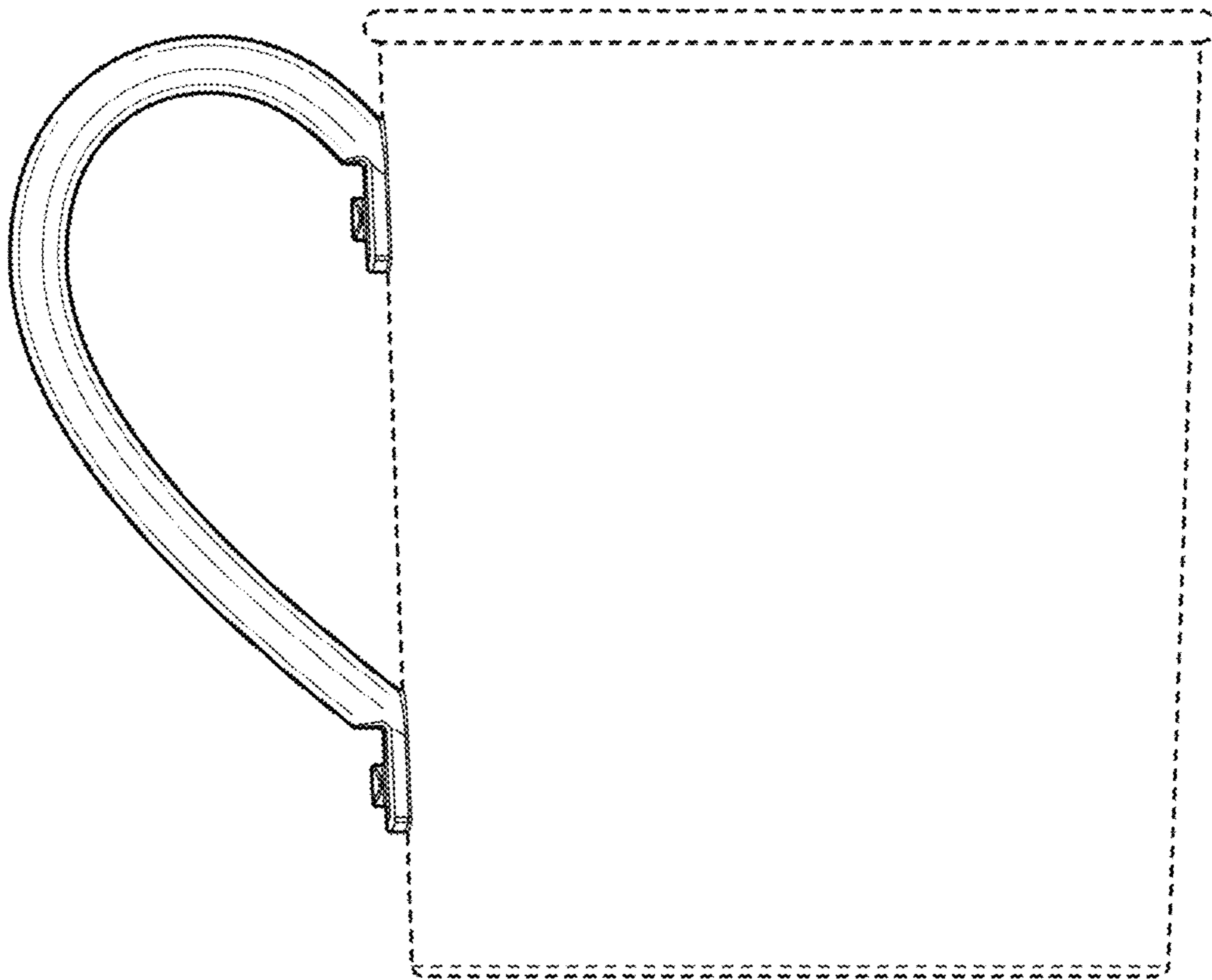


FIG. 7