



US00D904823S

(12) **United States Design Patent**
Fransen et al.

(10) **Patent No.:** **US D904,823 S**
(45) **Date of Patent:** **** Dec. 15, 2020**

- (54) **KITCHEN APPLIANCE BASE**
- (71) Applicant: **Breville Pty Limited**, Alexandria (AU)
- (72) Inventors: **Adam Fransen**, Alexandria (AU);
Richard Hoare, Alexandria (AU);
David Davenport, Alexandria (AU)
- (73) Assignee: **Breville Pty Limited**, Alexandria (AU)
- (**) Term: **15 Years**
- (21) Appl. No.: **29/699,779**
- (22) Filed: **Jul. 29, 2019**

- (30) **Foreign Application Priority Data**
Jan. 29, 2019 (AU) 201910429
- (51) **LOC (12) Cl.** **31-00**
- (52) **U.S. Cl.**
USPC **D7/386; D7/376**
- (58) **Field of Classification Search**
USPC D7/372, 376-386, 412-413, 602, 629,
D7/665-666, 669, 679, 693-694
CPC A21C 1/02; A21C 1/04; A23N 1/00; A23N
1/02; A47J 43/04; A47J 43/25; A47J
43/27; A47J 43/042; A47J 43/044; A47J
43/046; A47J 43/075; A47J 43/0722;
A47J 43/0727; B01F 3/00; B01F 3/0807;
B01F 3/0853; B01F 13/0059; B01F
13/0064; B02C 1/08; B02C 2/04; B02C
4/42; B02C 4/142; B02C 4/143; B02C
4/423; B02C 13/1835; B28C 5/10; B28C
5/12; B28C 5/14; B28C 5/16
See application file for complete search history.

(56) **References Cited**
U.S. PATENT DOCUMENTS

- D550,506 S * 9/2007 Spitzer D7/412
- D563,154 S * 3/2008 Comstock D7/378
- D603,215 S 11/2009 Hollinger

- D630,467 S * 1/2011 Harrod D7/376
- D707,488 S * 6/2014 Cornu D7/386
- D790,911 S * 7/2017 Tha D7/386
- D792,150 S * 7/2017 Sun D7/386
- D844,371 S * 4/2019 Chalk D7/386

OTHER PUBLICATIONS

Russian Grant Decision for Russian Application No. 2019502693/49, dated Jun. 26, 2019.

* cited by examiner

Primary Examiner — Ricky Pham

(74) *Attorney, Agent, or Firm* — Moser Taboada

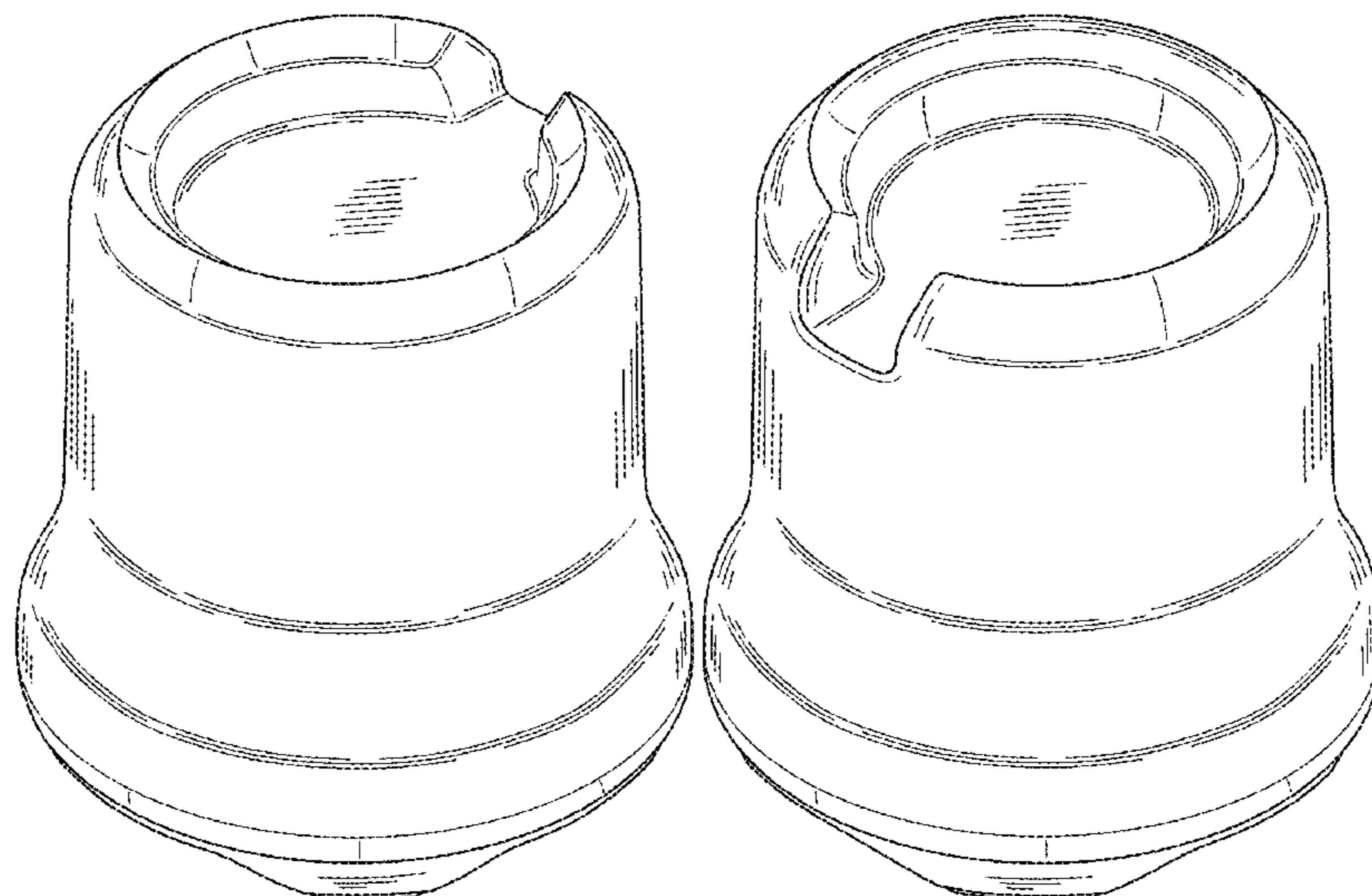
(57) **CLAIM**

The ornamental design for a kitchen appliance base, as shown and described.

DESCRIPTION

FIG. 1 is a front view embodying the new design, according to a first embodiment;
 FIG. 2 is a right side view of the design shown in FIG. 1;
 FIG. 3 is a rear view of the design shown in FIG. 1;
 FIG. 4 is a left side view of the design shown in FIG. 1;
 FIG. 5 is a top of the design shown in FIG. 1;
 FIG. 6 is a bottom view of the design shown in FIG. 1;
 FIG. 7 is a first perspective view of the design shown in FIG. 1;
 FIG. 8 is a second perspective view of the design shown in FIG. 1;
 FIG. 9 is a referential front view embodying the new design, according to a second embodiment;
 FIG. 10 is a right side view thereof;
 FIG. 11 is a rear side view thereof;
 FIG. 12 is a left side view thereof;
 FIG. 13 is a top view thereof;
 FIG. 14 is a bottom view thereof;
 FIG. 15 is a first perspective view thereof; and,
 FIG. 16 is a second perspective view thereof.

1 Claim, 16 Drawing Sheets



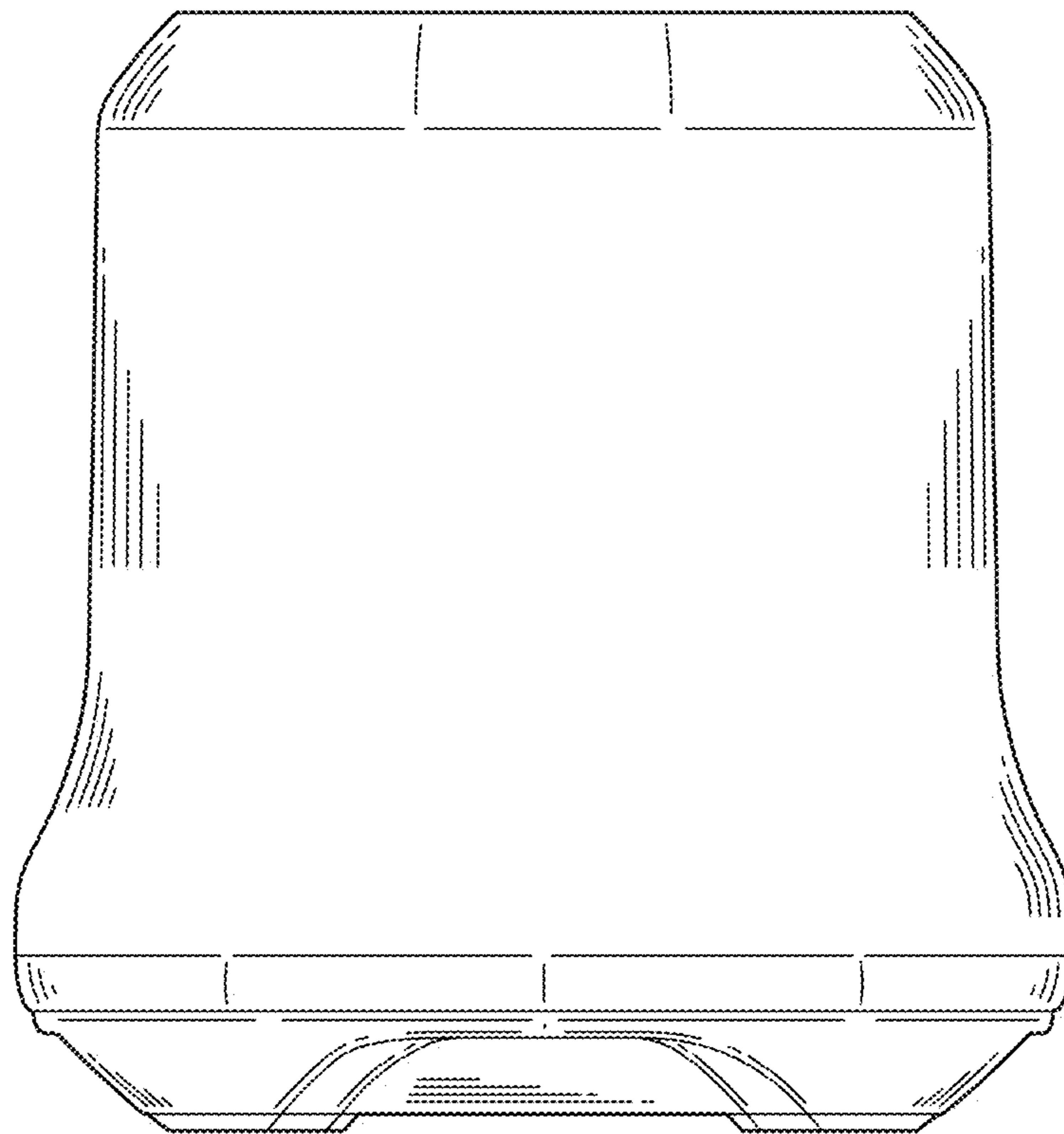


FIG. 1

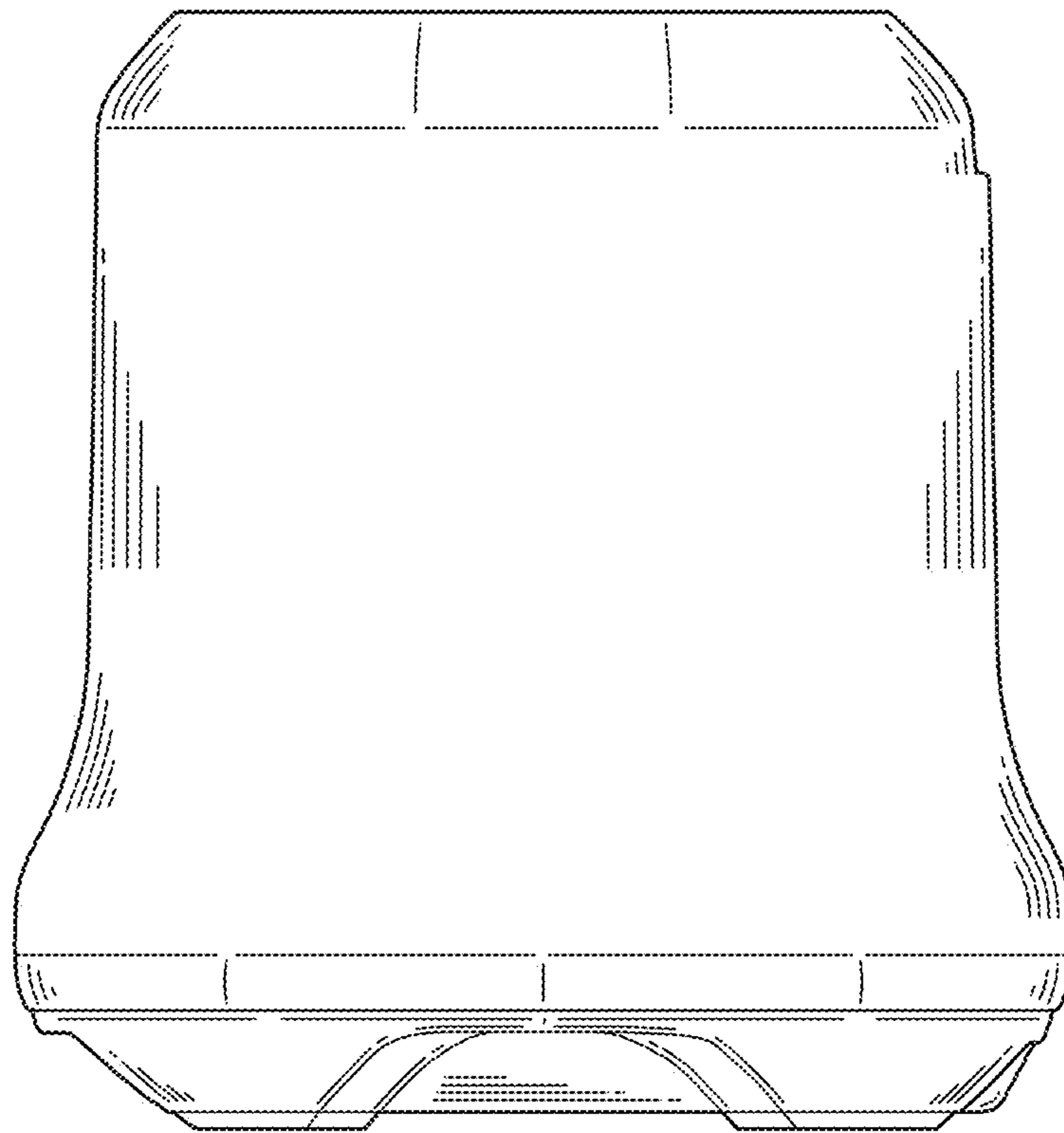


FIG. 2

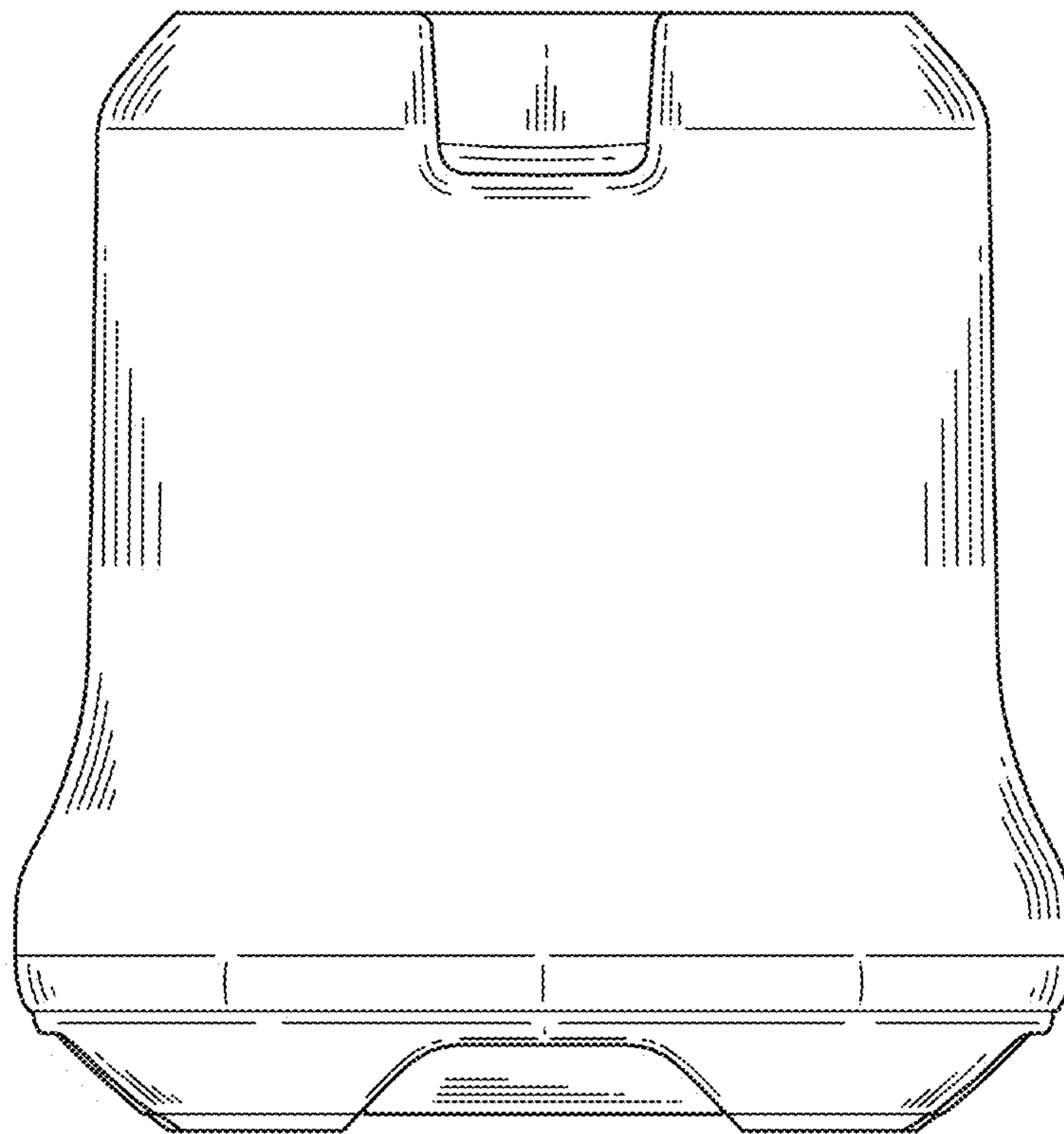


FIG. 3

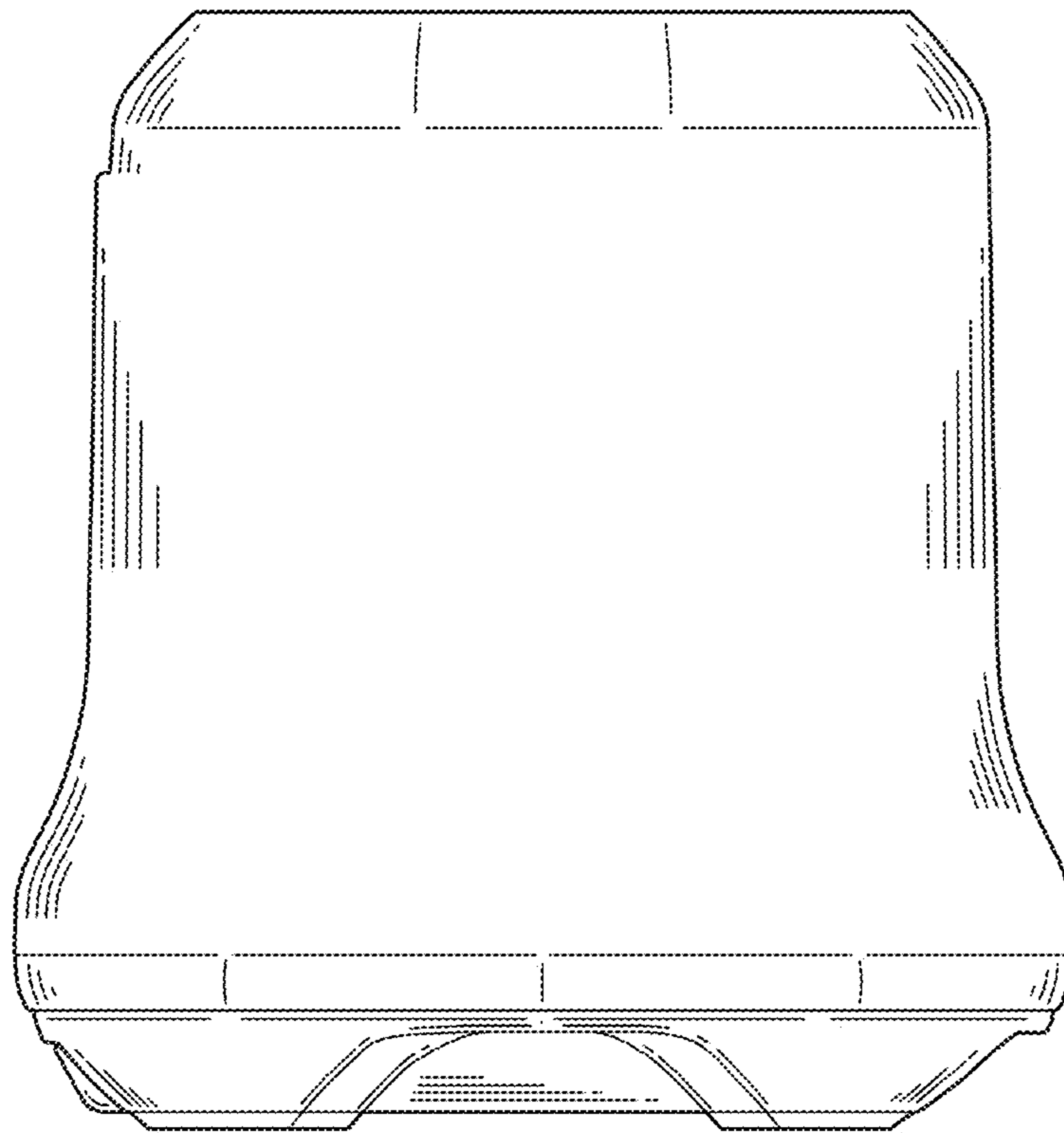


FIG. 4

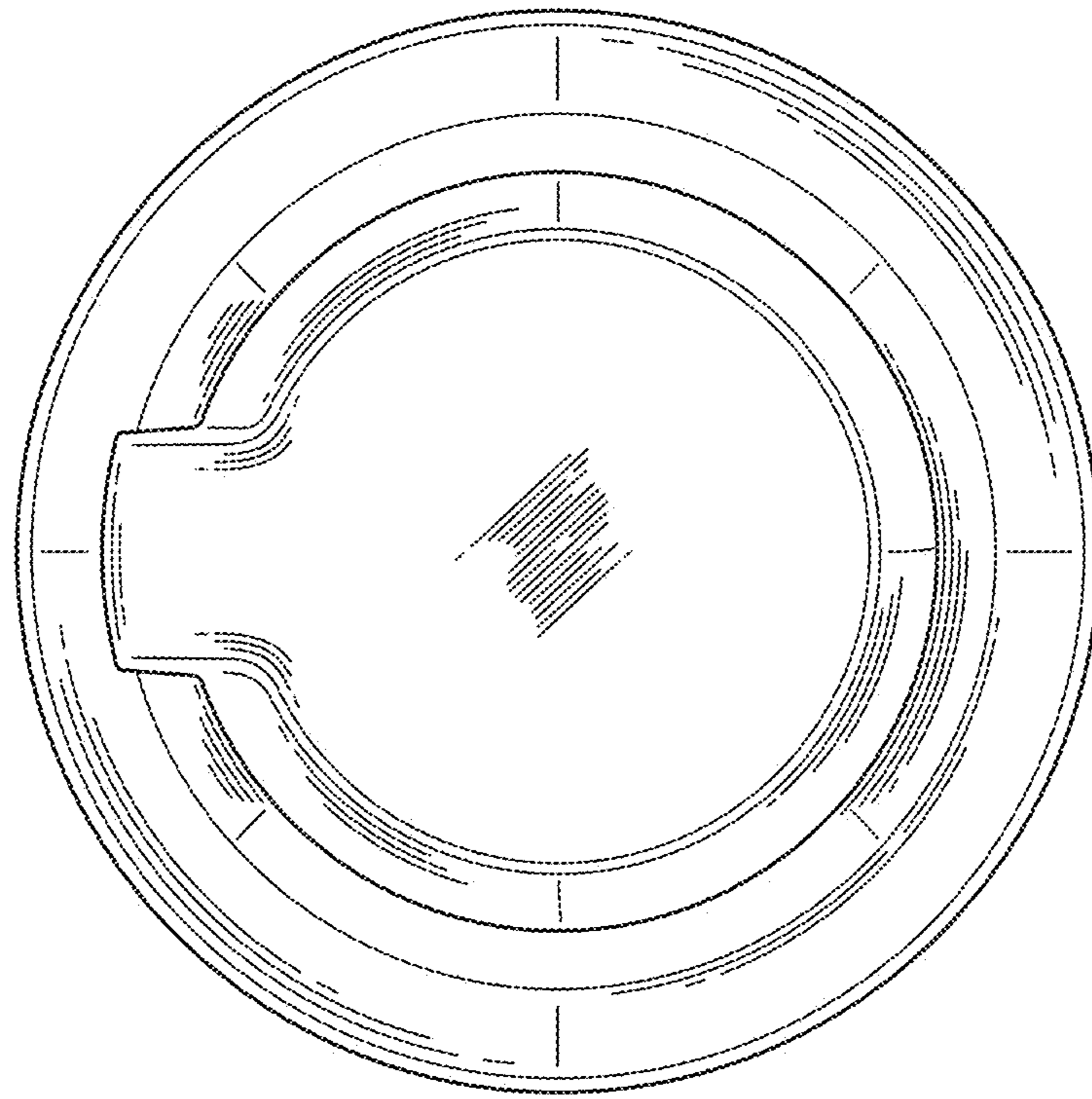


FIG. 5

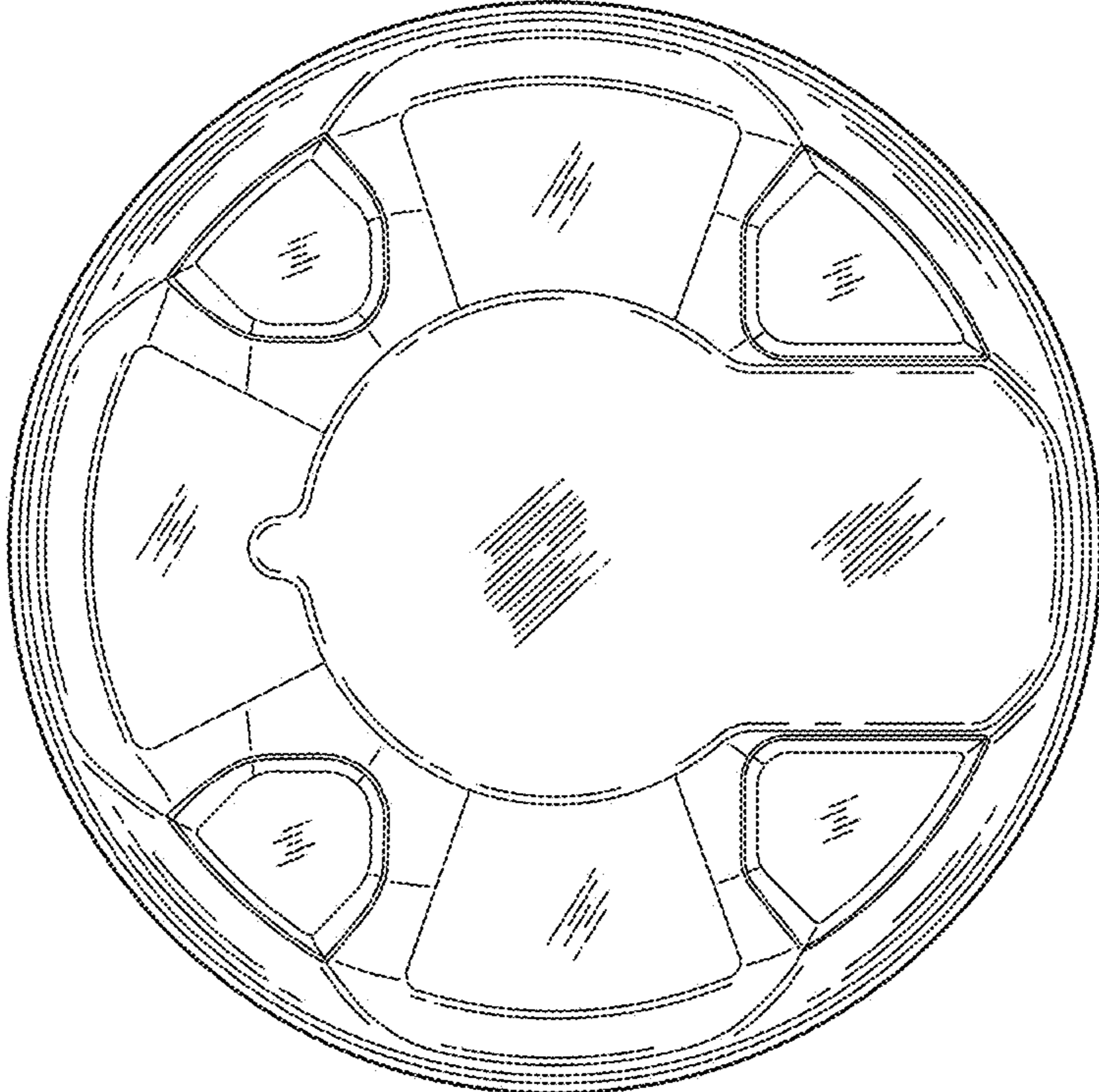


FIG. 6

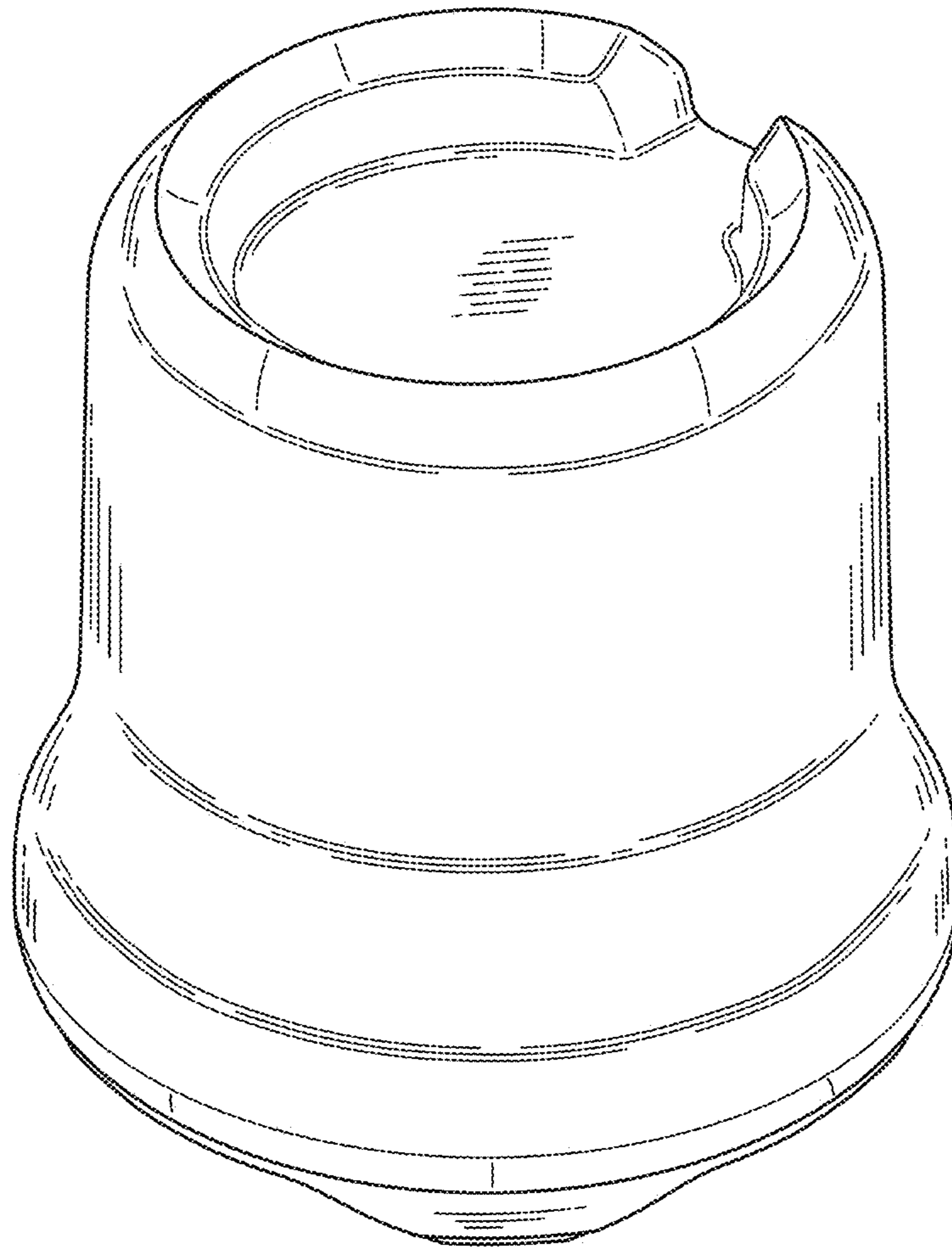


FIG. 7

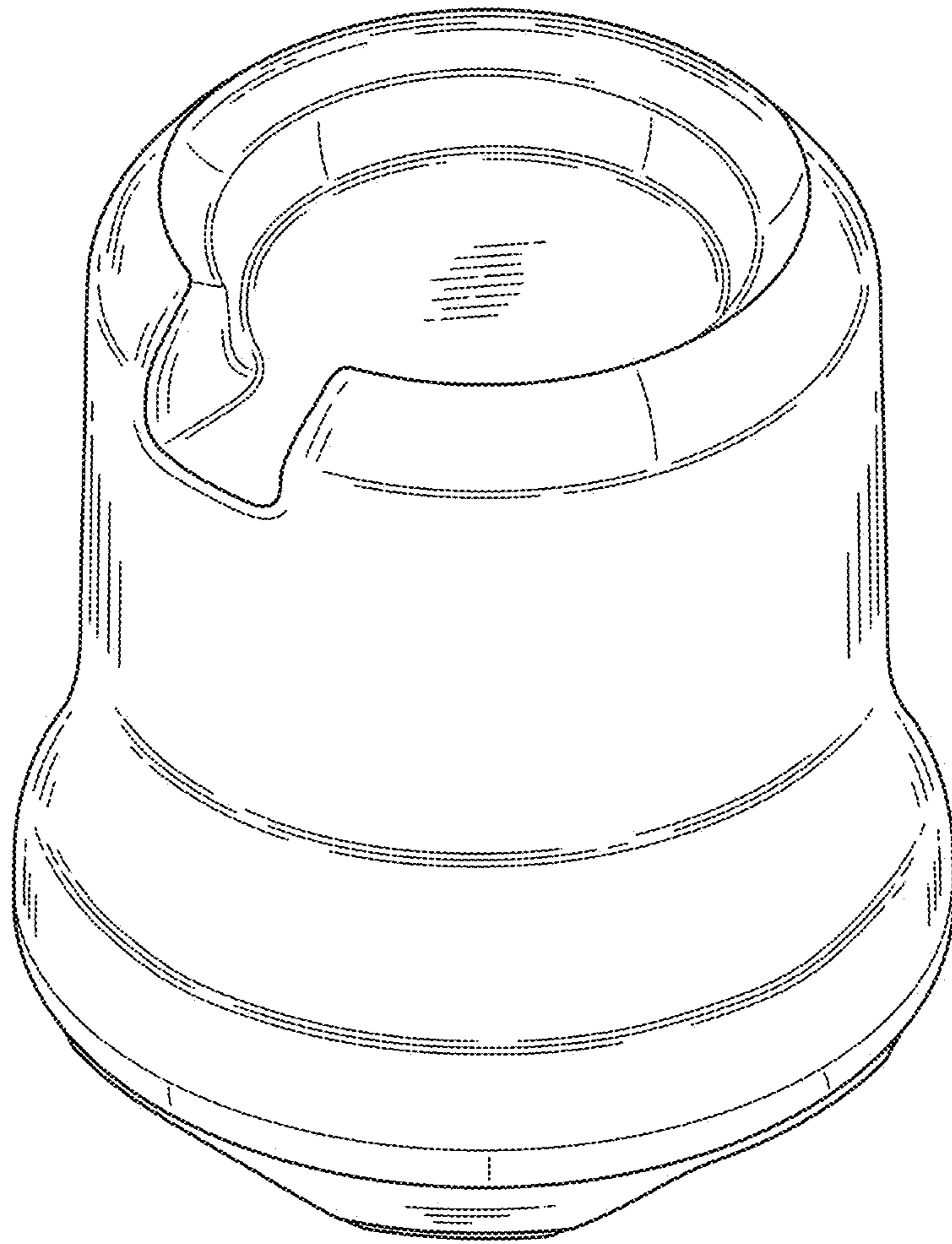


FIG. 8

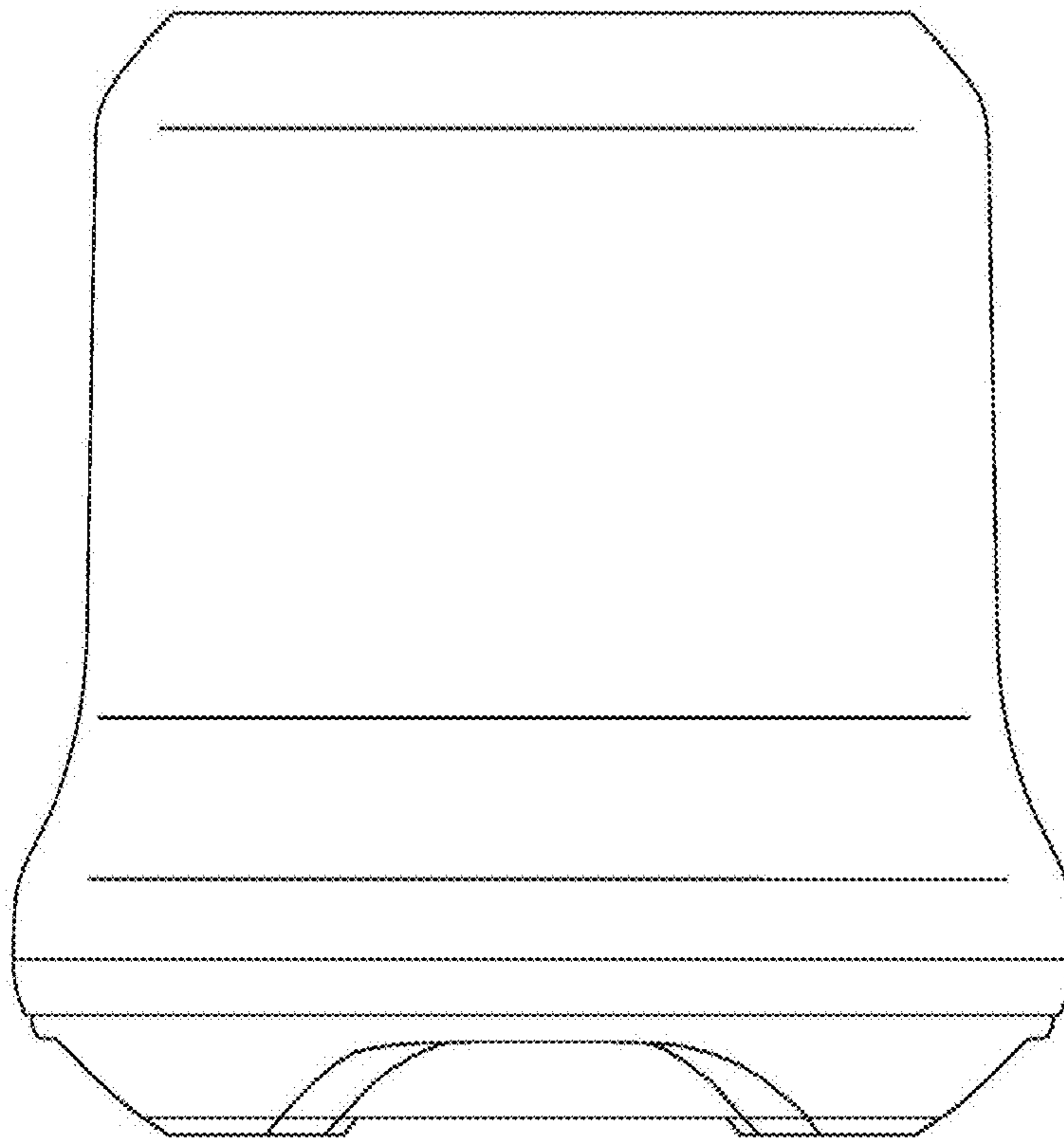


FIG. 9

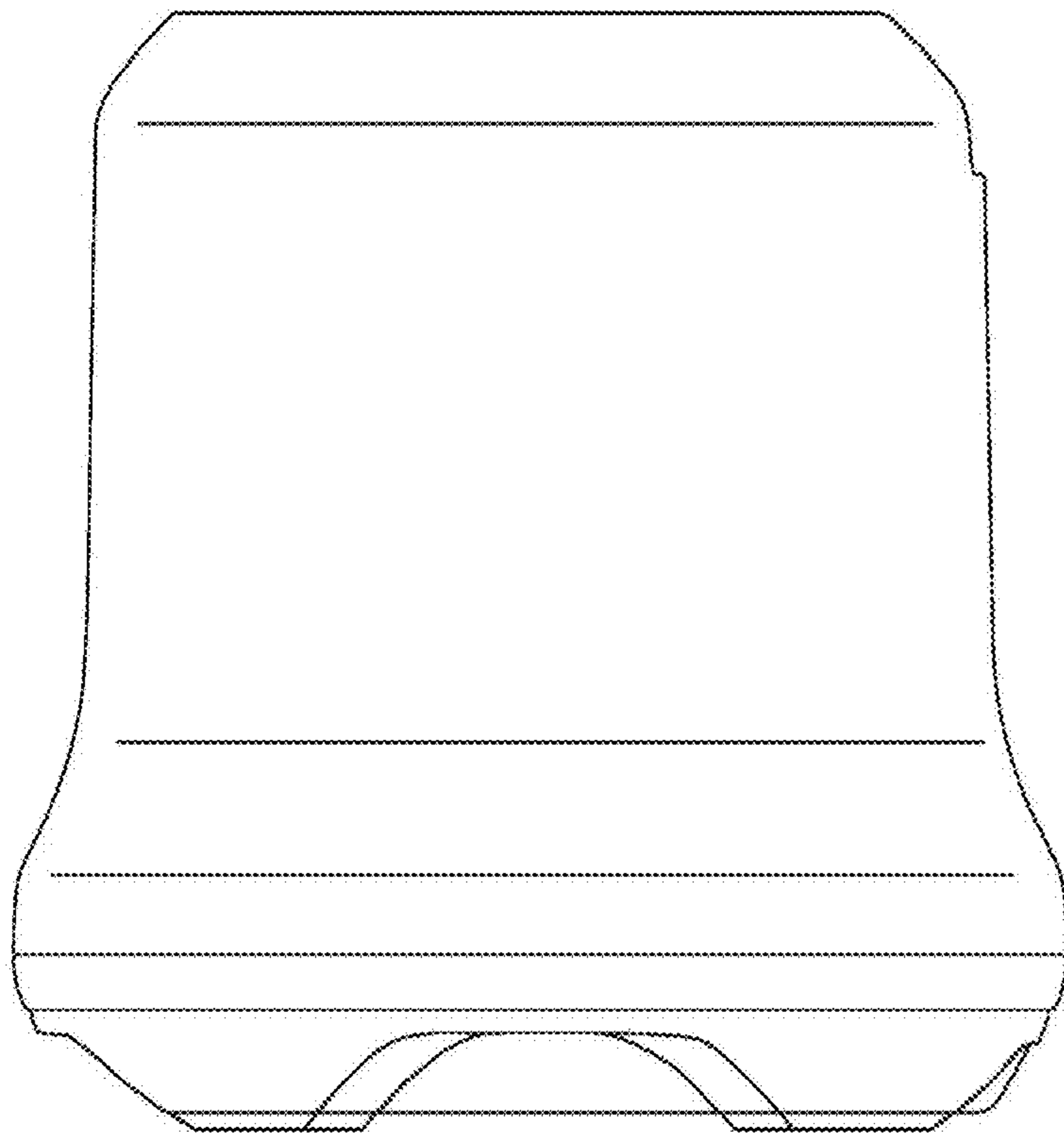


FIG. 10

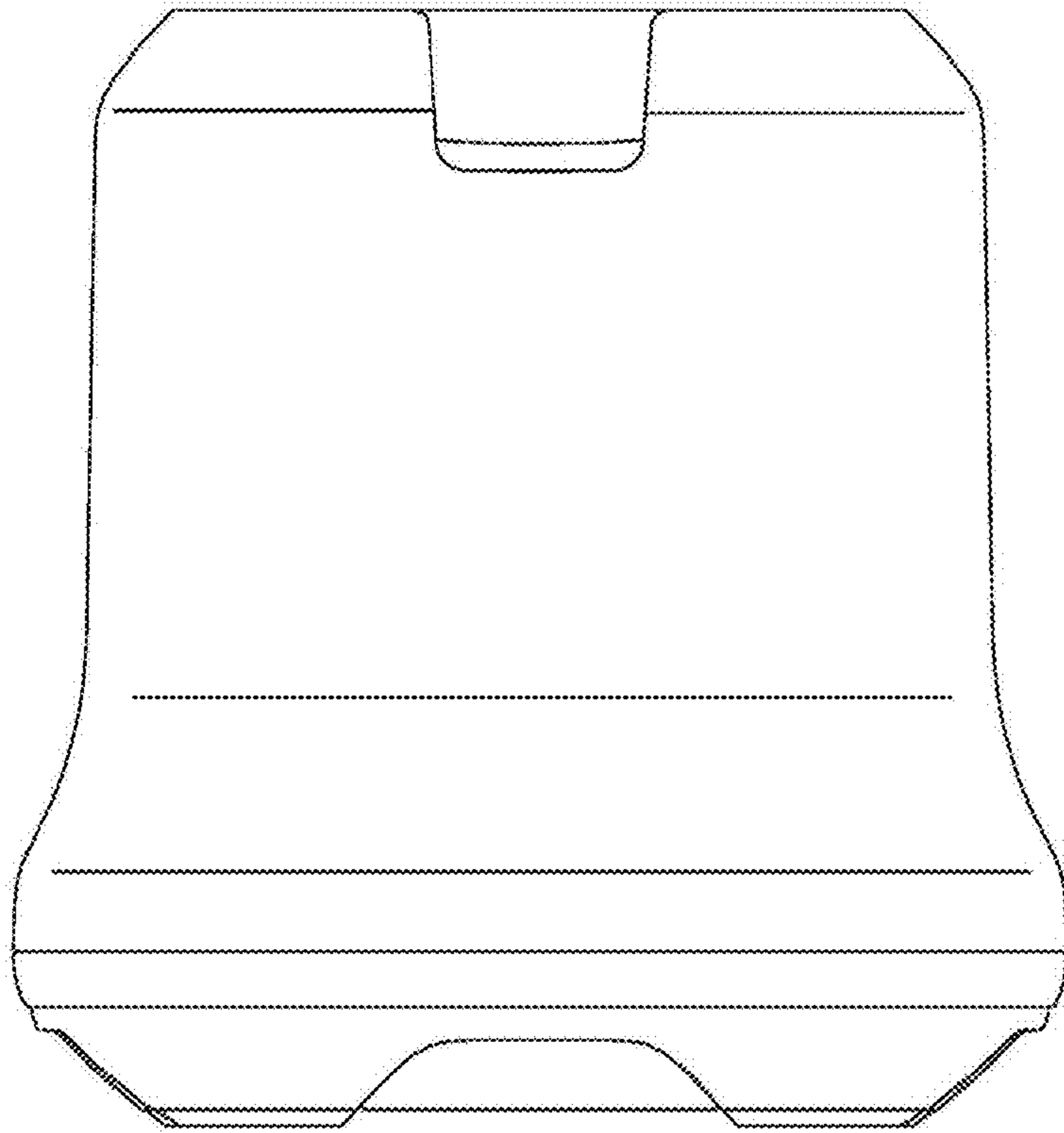


FIG. 11

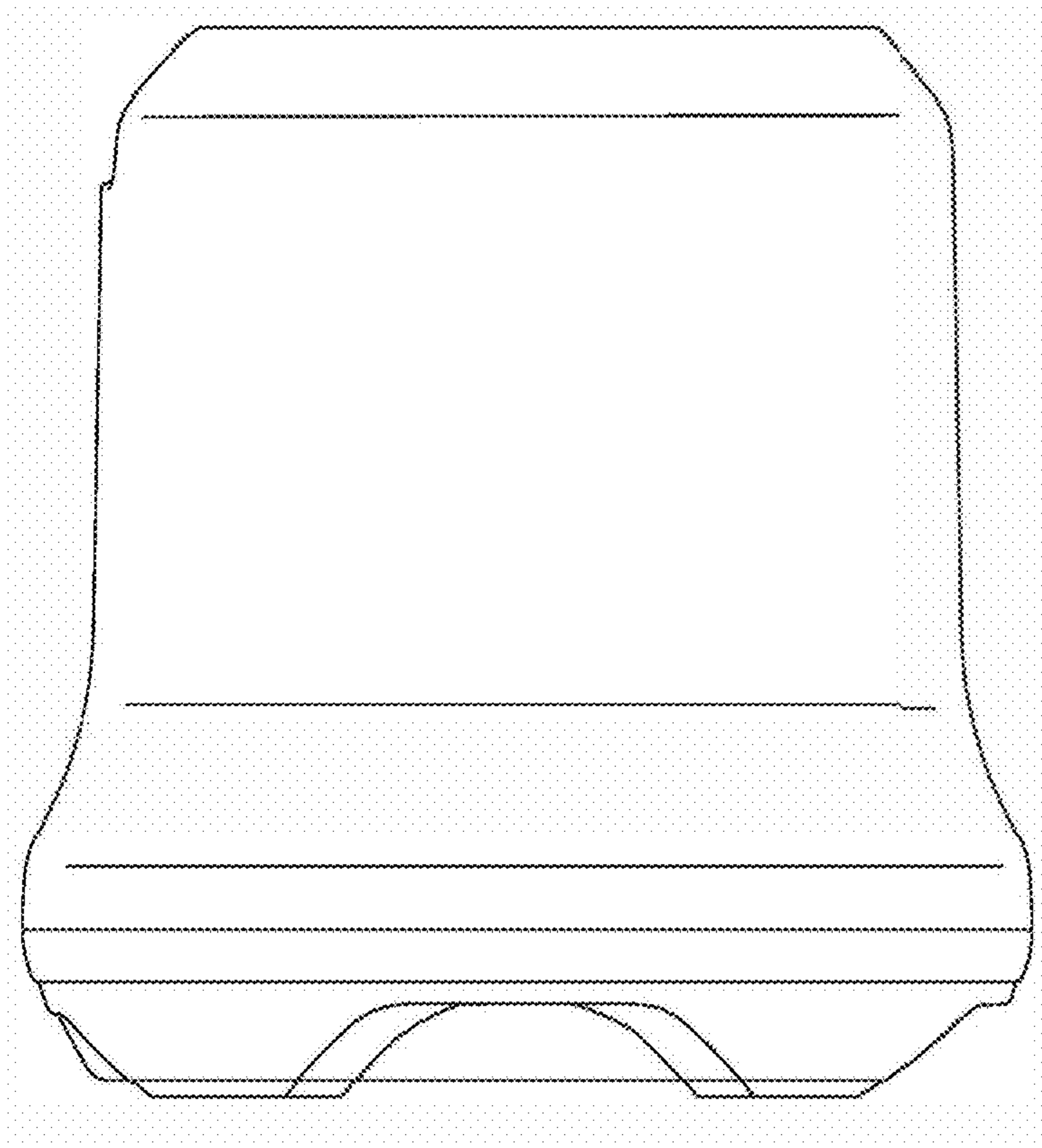


FIG. 12

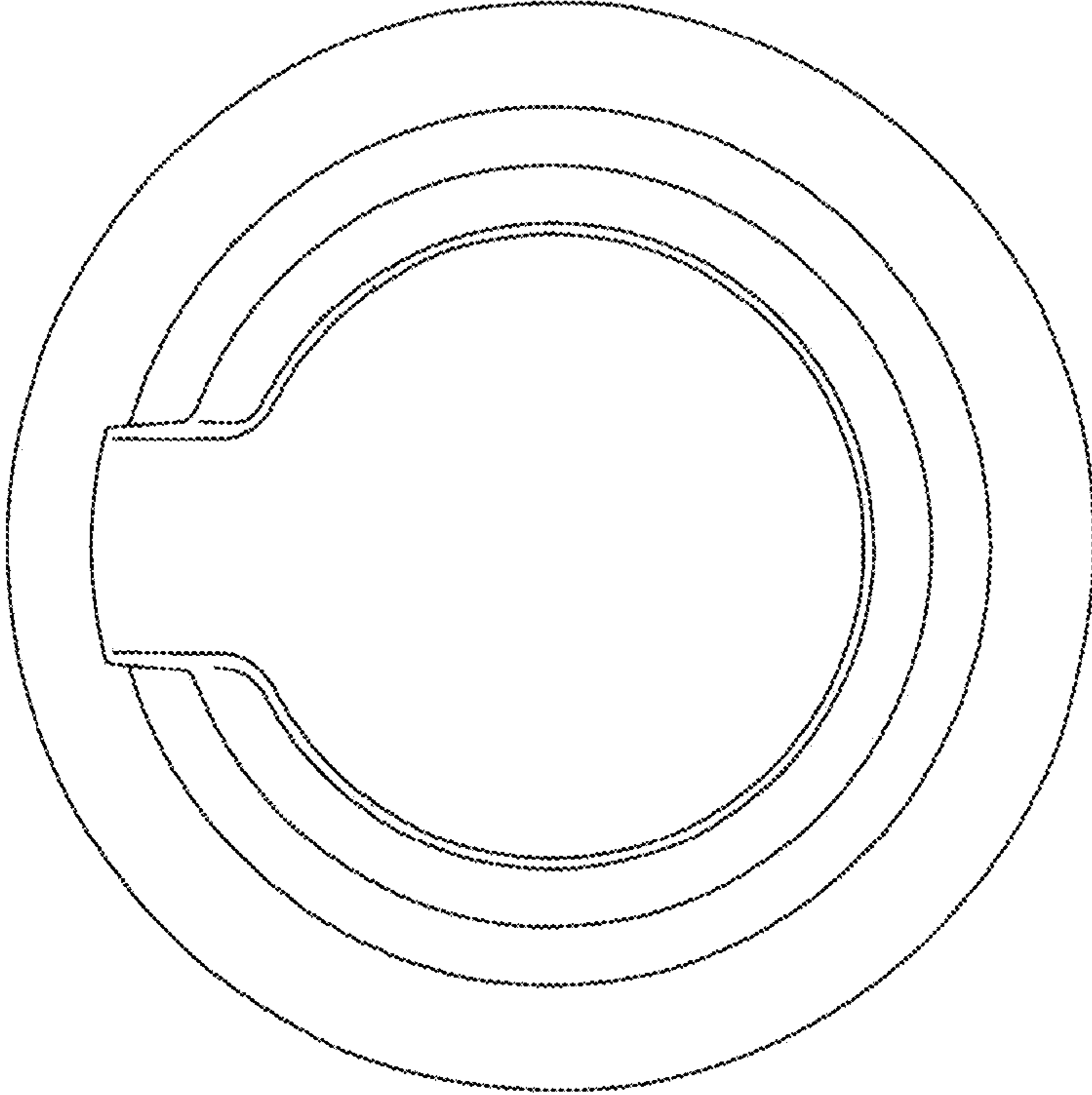


FIG. 13

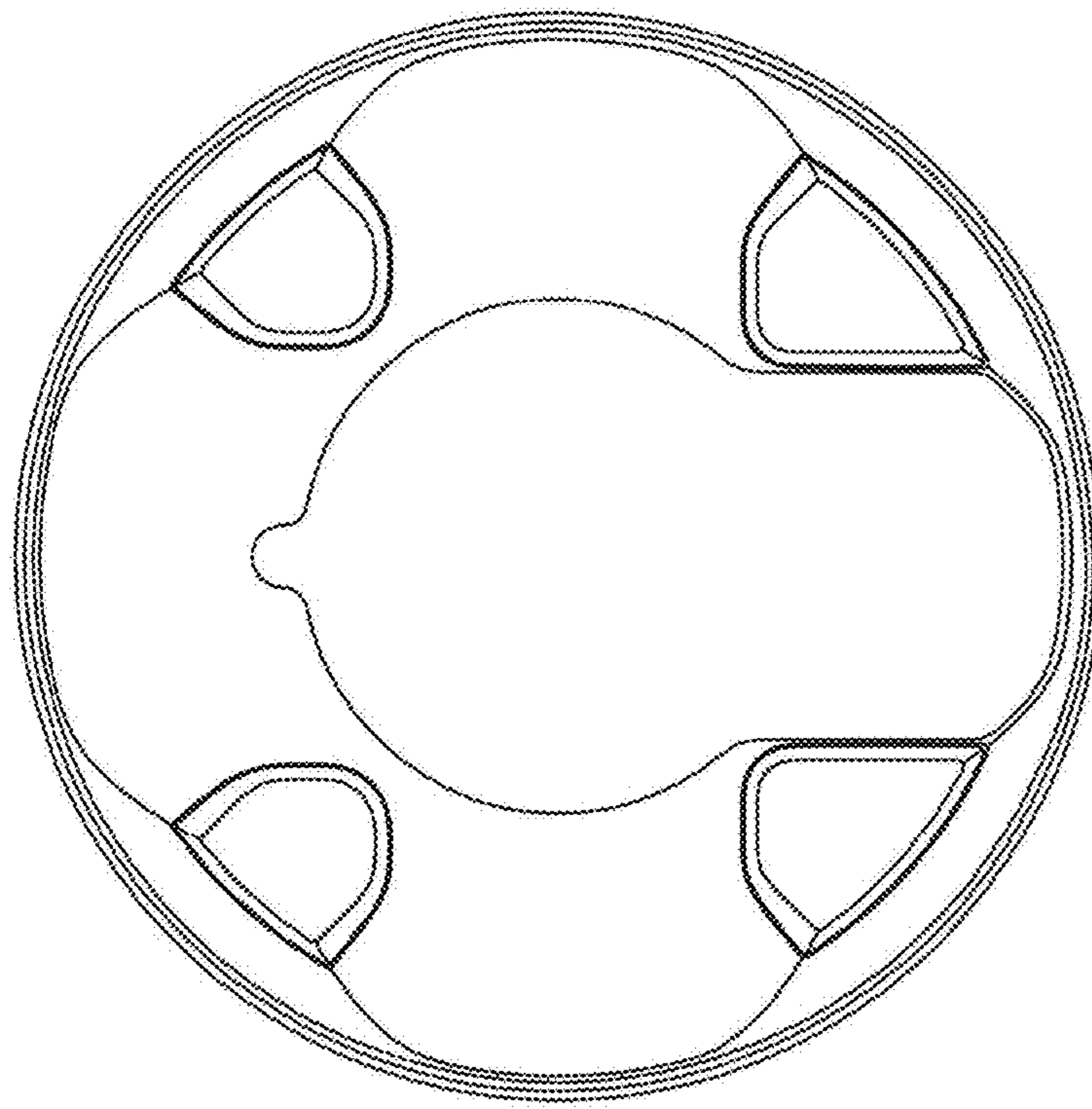


FIG. 14

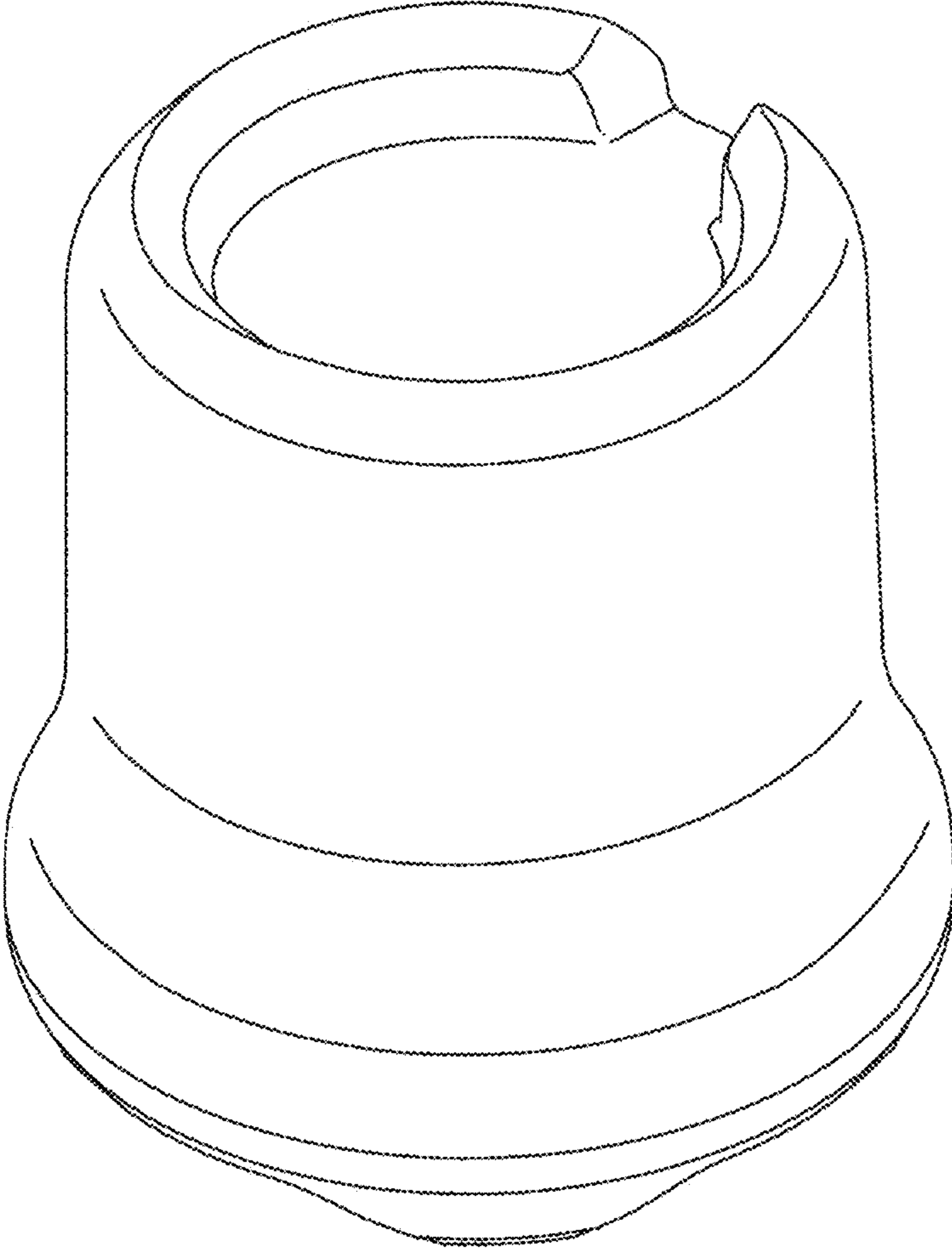


FIG. 15

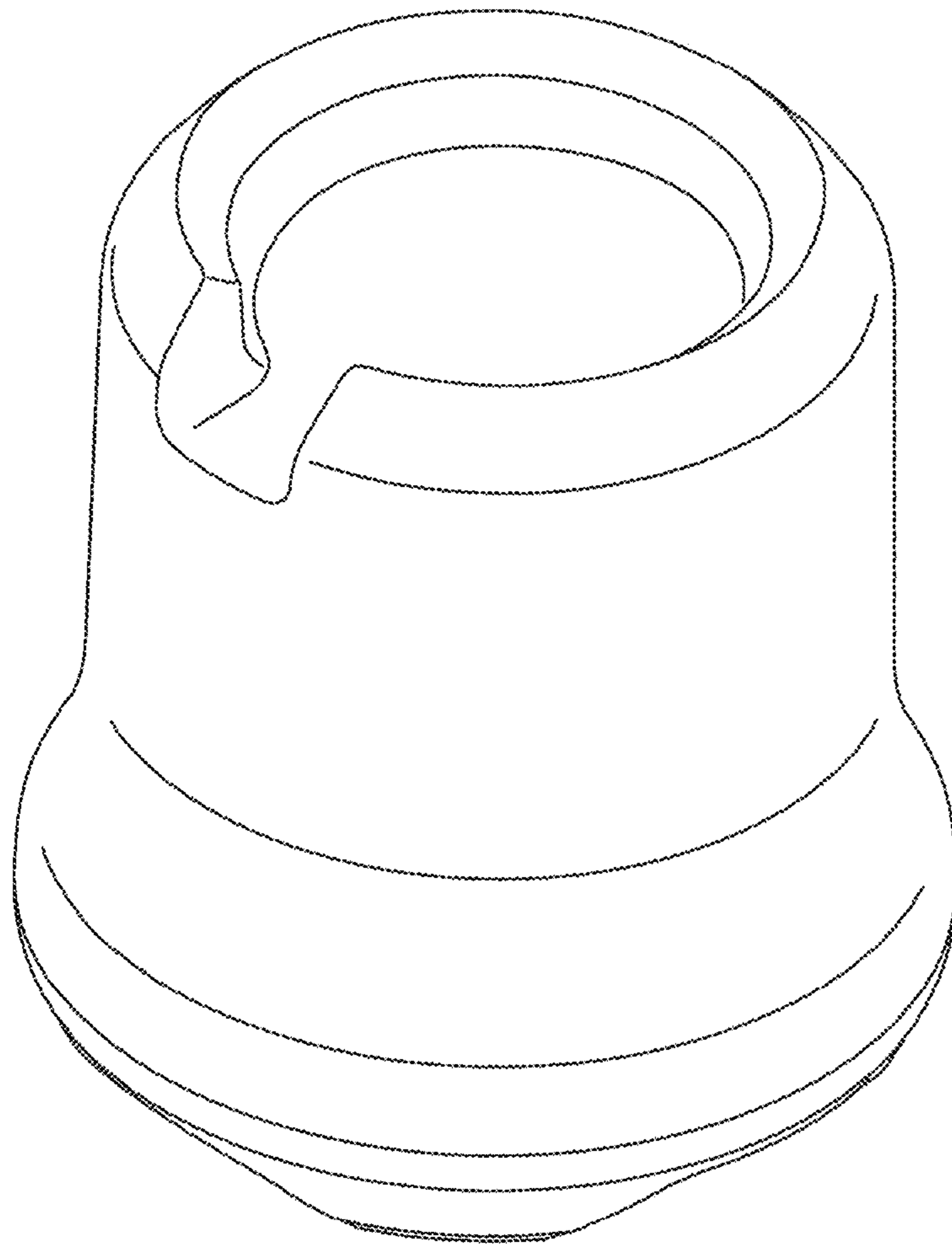


FIG. 16