



US00D904822S

(12) **United States Design Patent** (10) **Patent No.:** **US D904,822 S**  
**Koszylko** (45) **Date of Patent:** **\*\* Dec. 15, 2020**

(54) **BLENDER**  
(71) Applicant: **Spectrum Brands, Inc.**, Middleton, WI (US)  
(72) Inventor: **Darek J. Koszylko**, Dane, WI (US)  
(73) Assignee: **Spectrum Brands, Inc.**, Middleton, WI (US)

D767,327 S \* 9/2016 McConnell ..... D7/384  
D782,866 S \* 4/2017 Suess ..... D7/378  
D812,416 S \* 3/2018 Carlson ..... D7/384  
D815,486 S \* 4/2018 Suess ..... D7/386  
D838,539 S \* 1/2019 Shin ..... D7/378  
D863,870 S \* 10/2019 Powell ..... D7/378  
D869,227 S \* 12/2019 McConnell ..... D7/384  
2011/0011281 A1 \* 1/2011 Allen ..... A47J 43/046  
99/537

(\*\*) Term: **15 Years**  
(21) Appl. No.: **29/696,579**

FOREIGN PATENT DOCUMENTS

CN 3403315 11/2004  
CN 3483565 10/2005

(Continued)

(22) Filed: **Jun. 28, 2019**  
(51) **LOC (12) Cl.** ..... **31-00**  
(52) **U.S. Cl.**  
USPC ..... **D7/386; D7/376; D7/378**  
(58) **Field of Classification Search**  
USPC ..... D7/372, 376-386, 412-413, 602, 629,  
D7/665-666, 669, 679, 693-694  
CPC .... A21C 1/02; A21C 1/04; A23N 1/00; A23N  
1/02; A47J 43/04; A47J 43/25; A47J  
43/27; A47J 43/042; A47J 43/044; A47J  
43/046; A47J 43/075; A47J 43/0711;  
A47J 43/0722; A47J 43/0727; A47J  
43/082; B01F 3/00; B01F 3/0807; B01F  
3/0853; B01F 13/0059; B01F 13/0064;  
B02C 1/08; B02C 2/04; B02C 4/42;  
B02C 4/142; B02C 4/143; B02C 4/423;  
B02C 13/1835; B28C 5/10; B28C 5/12;  
B28C 5/14; B28C 5/16

OTHER PUBLICATIONS

“Viva Collection Blender HR3556/00”; Philips; retrieved Nov. 28, 2018; disclosure date unknown but prior to filing date of present application; URL: <[https://www.philips.ae/c-p/HR3556\\_00/viva-collection-blender](https://www.philips.ae/c-p/HR3556_00/viva-collection-blender)>.

*Primary Examiner* — Ricky Pham  
(74) *Attorney, Agent, or Firm* — Banner & Witcoff, Ltd.

See application file for complete search history.

(57) **CLAIM**

The ornamental design for a blender, as shown and described.

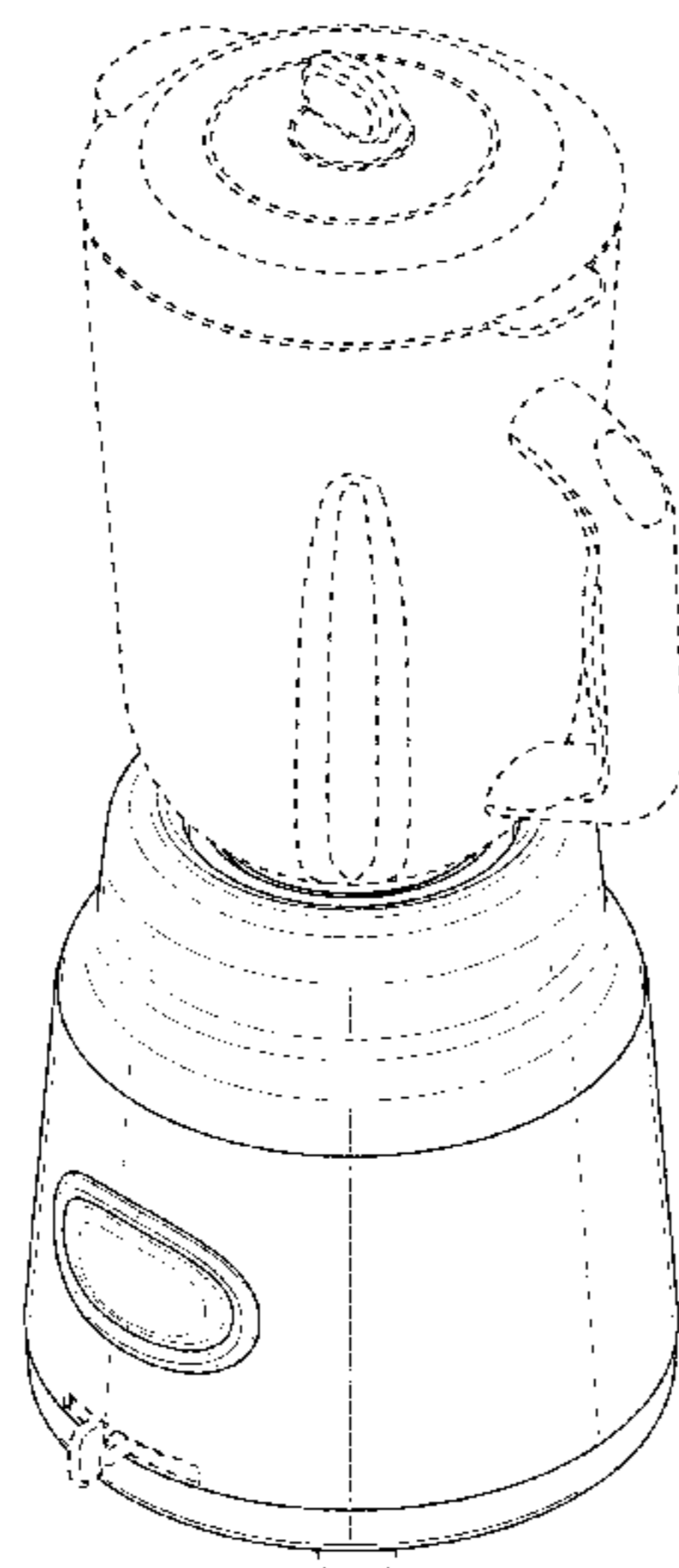
**DESCRIPTION**

FIG. 1 is a front perspective view of a blender showing my new design;  
FIG. 2 is a front view thereof;  
FIG. 3 is a rear view thereof;  
FIG. 4 is a right side view thereof;  
FIG. 5 is a left side view thereof; and,  
FIG. 6 is a top view thereof.  
The broken lines depicting the remainder of the blender form no part of the claimed design.

(56) **References Cited**  
U.S. PATENT DOCUMENTS

D175,601 S \* 9/1955 Huck ..... D7/386  
D394,986 S \* 6/1998 Lallemand ..... D7/378  
D502,842 S \* 3/2005 Hallar ..... D7/384  
D630,467 S \* 1/2011 Harrod ..... D7/376  
8,109,668 B2 \* 2/2012 Garman ..... A47J 43/042  
366/205  
D731,235 S 6/2015 Bradley

**1 Claim, 6 Drawing Sheets**

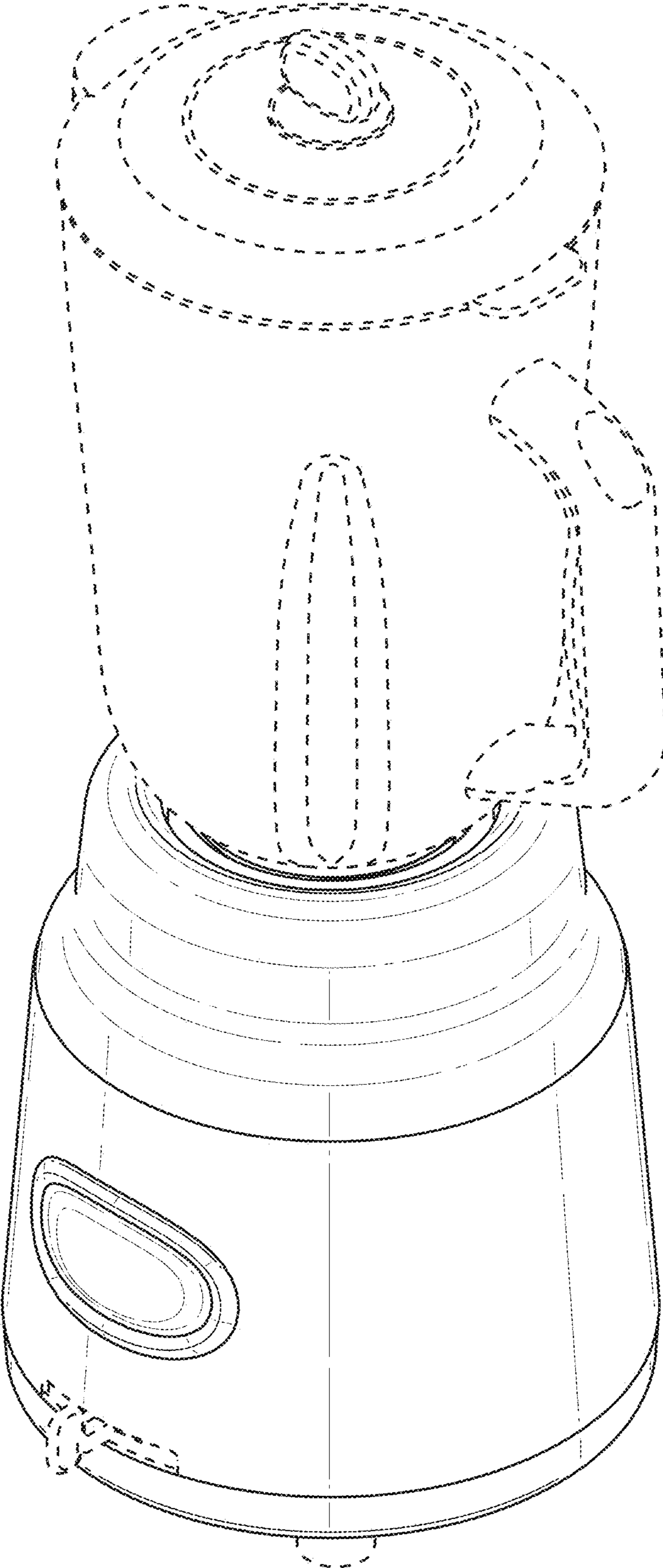


(56)

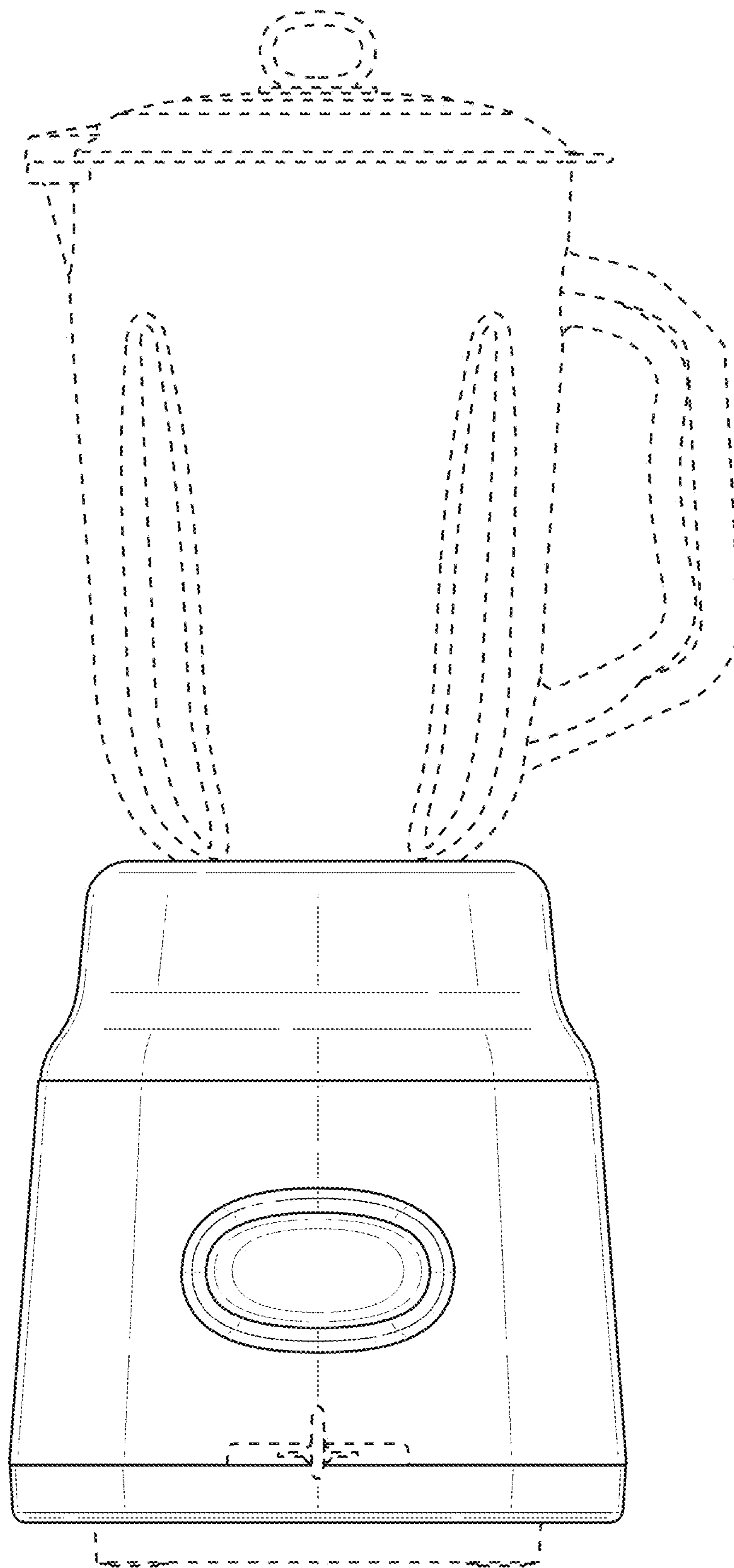
**References Cited**

FOREIGN PATENT DOCUMENTS					
CN	3589584	12/2006	CN	303442969	11/2015
CN	3589585	12/2006	CN	303443010	11/2015
CN	3616800	2/2007	CN	303497061	12/2015
CN	3622401	3/2007	CN	303705296	6/2016
CN	3661188	6/2007	CN	303846913	9/2016
CN	3680505	8/2007	CN	303892160	10/2016
CN	300885368	2/2009	CN	303897587	10/2016
CN	301266295	6/2010	CN	304049660	2/2017
CN	302711330	1/2014	CN	304107573	4/2017
CN	302763159	3/2014	CN	304680240	6/2018
CN	302799724	4/2014	CN	304739175	7/2018
CN	302876777	7/2014	EM	001163970001	6/2004
CN	302876778	7/2014	EM	0008559290001	2/2008
CN	303036496	12/2014	EM	0010482350001	1/2009
CN	303036498	12/2014	EM	0020573310004	6/2012
CN	303200741	5/2015	EM	0001183770001	3/2014
CN	303234796	6/2015	EM	0024989980012	7/2014
CN	303429919	11/2015	EM	0041253590011	8/2017
			EM	0041253590012	8/2017
			EM	0041253590015	8/2017
			EM	0056365520013	10/2018

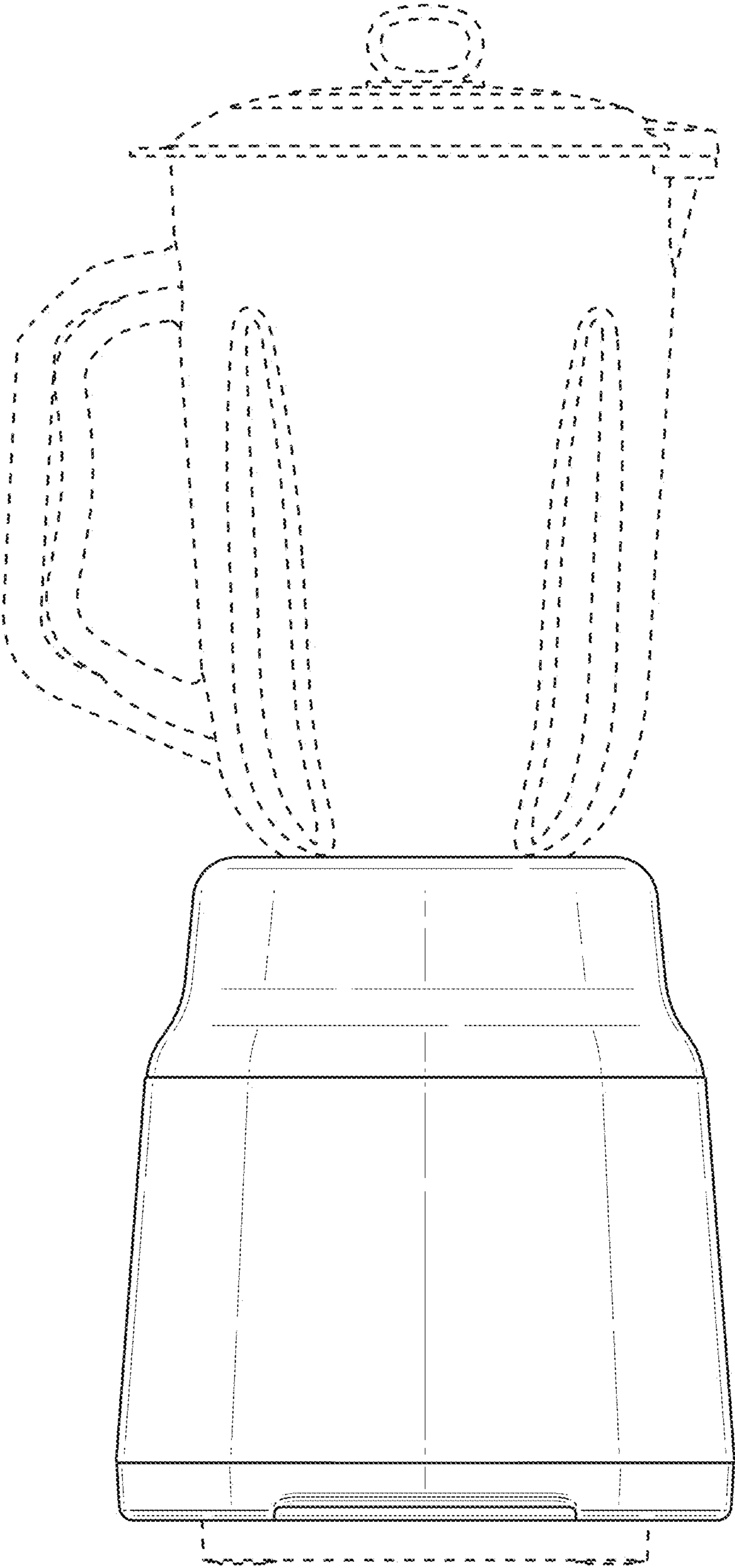
\* cited by examiner



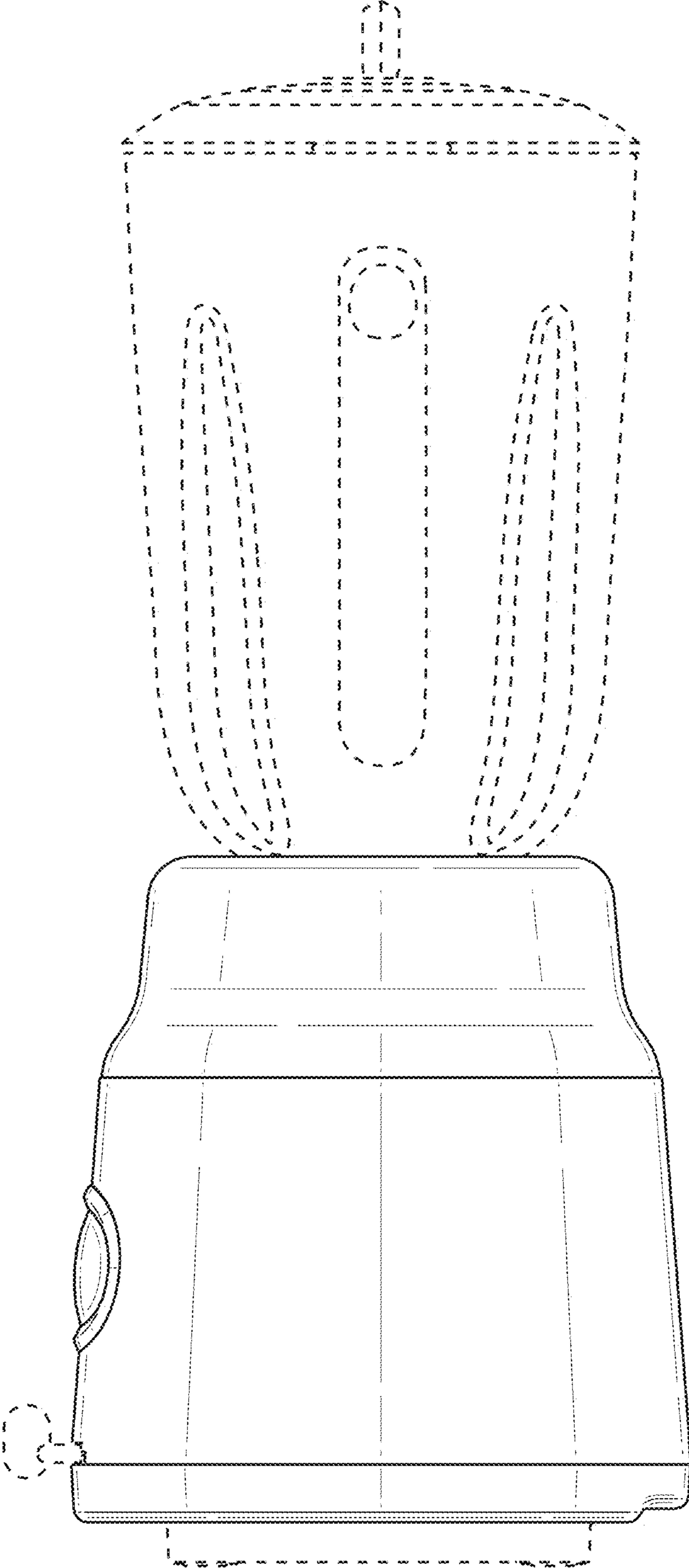
**FIG. 1**



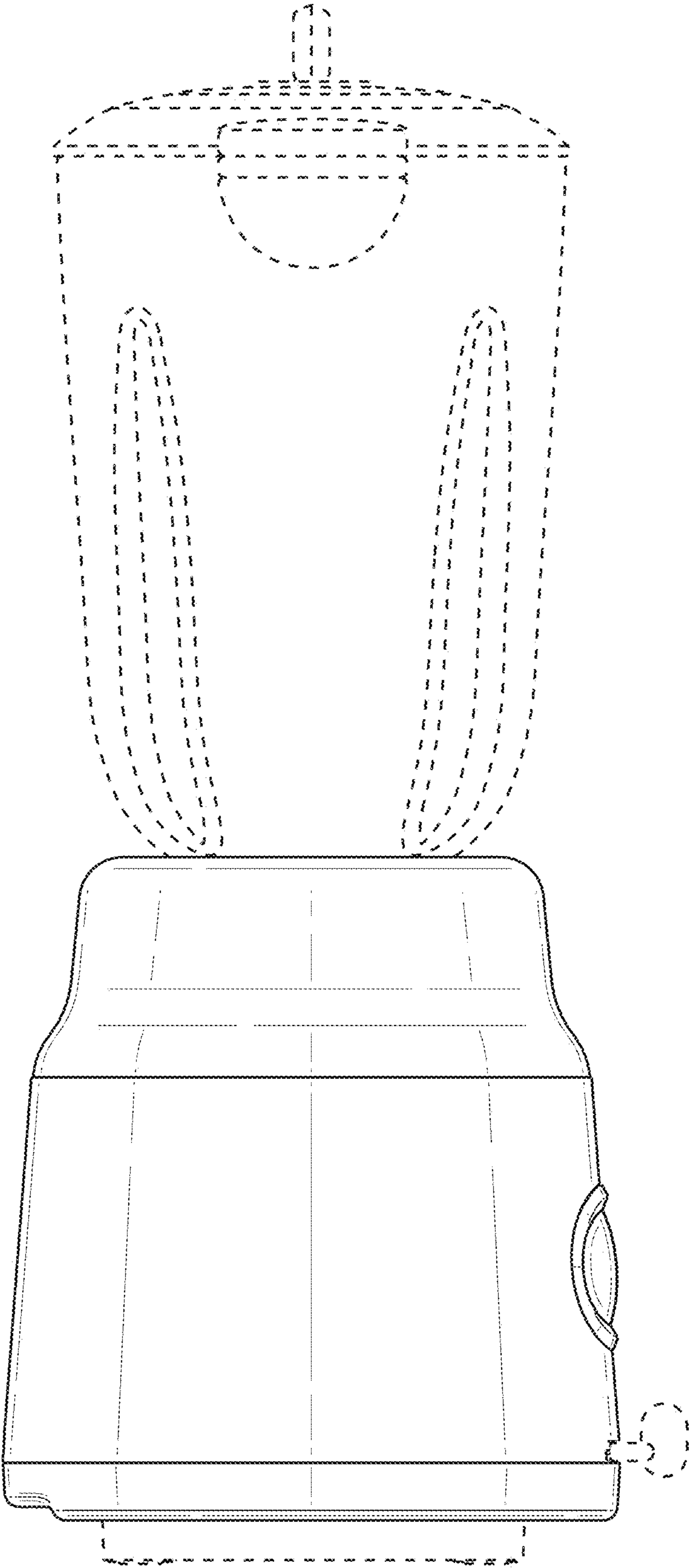
**FIG. 2**



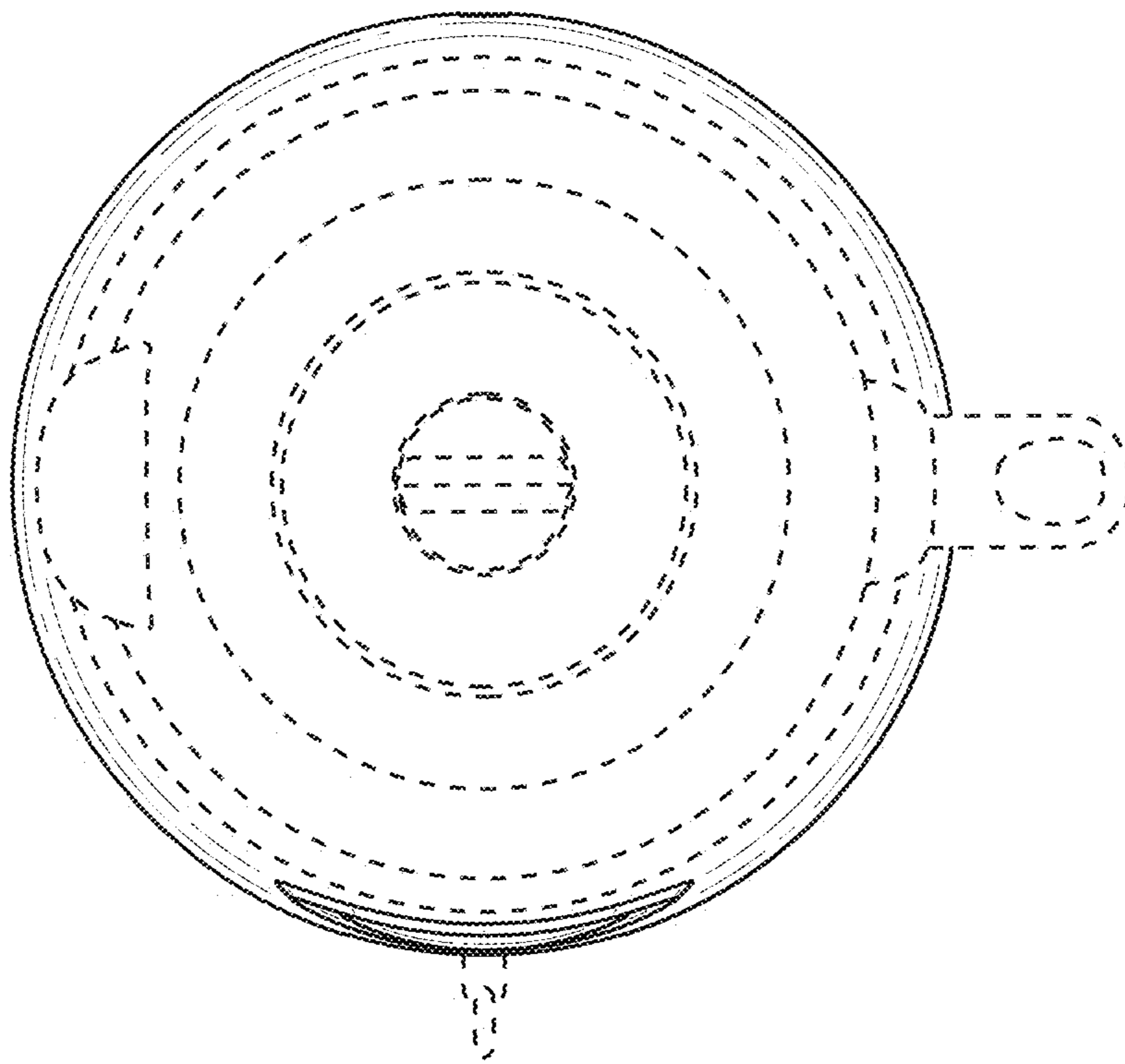
**FIG. 3**



**FIG. 4**



**FIG. 5**



**FIG. 6**