



US00D904821S

(12) **United States Design Patent** (10) **Patent No.:** **US D904,821 S**
Challenger (45) **Date of Patent:** **** Dec. 15, 2020**

(54) **BREAD BAKER**

- (71) Applicant: **Challenger Breadware LLC**,
Northfield, IL (US)
- (72) Inventor: **James E. Challenger**, Northfield, IL
(US)
- (73) Assignee: **CHALLENGER BREADWARE LLC**,
Northfield, IL (US)
- (**) Term: **15 Years**
- (21) Appl. No.: **29/711,951**
- (22) Filed: **Nov. 4, 2019**
- (51) **LOC (12) Cl.** **07-02**
- (52) **U.S. Cl.**
USPC **D7/360; D7/609; D7/337**
- (58) **Field of Classification Search**
USPC D7/323, 338, 352, 354, 355, 356, 357,
D7/358, 359, 360, 361, 362, 363, 364,
D7/365, 366, 367, 402, 407, 409
CPC .. A21B 3/00; A21B 3/13; A21B 3/131; A21B
3/132; A21B 3/135; A21B 3/136; A21B
3/137; A21B 3/15; A21B 5/00; A21B
5/02; A21B 5/04; A47J 27/00; A47J
36/00; A47J 36/02; A47J 36/06; A47J
36/16; A47J 36/24; A47J 36/022; A47J
36/027; A47J 37/00; A47J 37/01; A47J
37/04; A47J 37/06; A47J 37/10; A47J
37/07; A47J 37/0781; A47J 43/20
See application file for complete search history.

(56) **References Cited**

U.S. PATENT DOCUMENTS

- 907,154 A 12/1908 Lewis
- D93,592 S 10/1934 Willman
- 2,310,157 A * 2/1943 Volks A47J 37/067
99/423

(Continued)

OTHER PUBLICATIONS

The Challenger Bread Pan, announced © 2020 [online], retrieved Oct. 20, 2020, retrieved from internet, <https://challengerbreadware.com/product/challenger-bread-pan/>.
(Continued)

Primary Examiner — Dana K Weiland
Assistant Examiner — Messina L Smith
(74) *Attorney, Agent, or Firm* — James P. Muraff;
McDonald Hopkins LLC

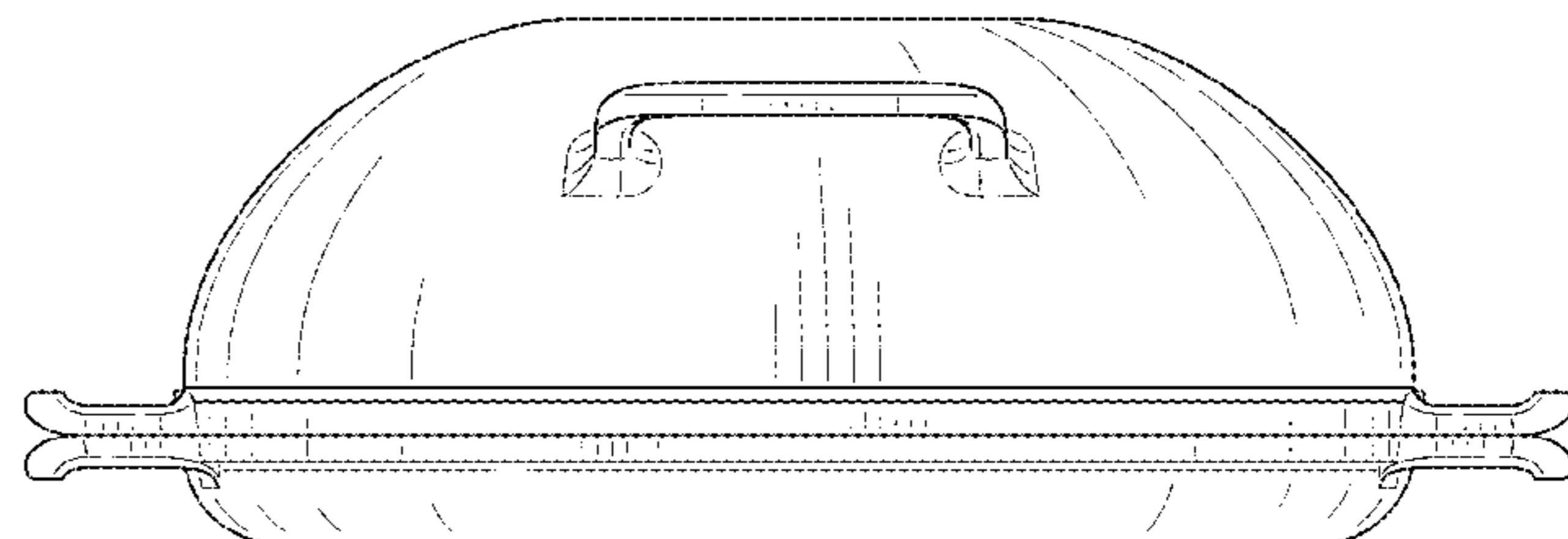
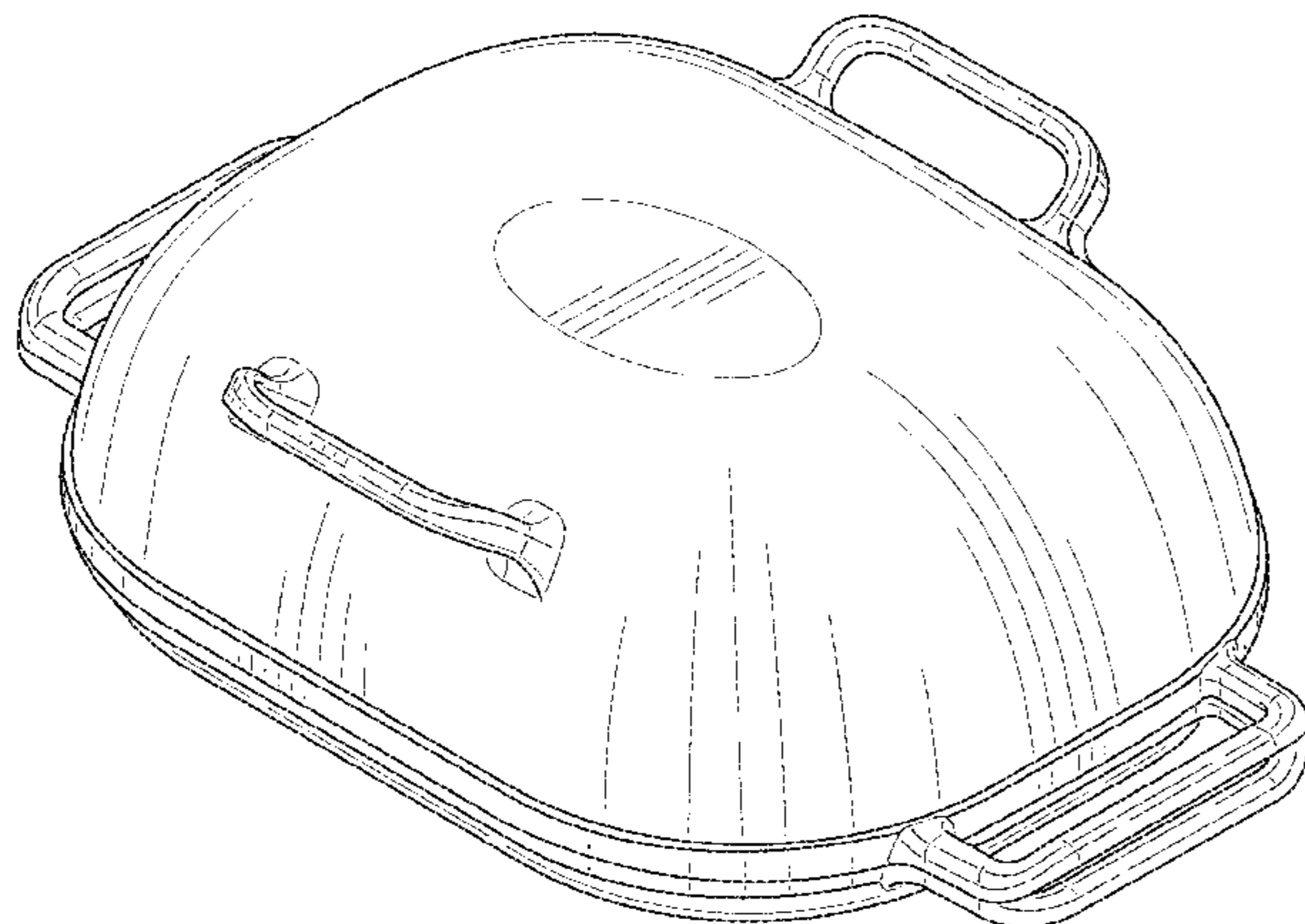
(57) **CLAIM**

The ornamental design for a bread baker, as shown and described.

DESCRIPTION

FIG. 1 is a perspective view of a bread baker, showing the new design;
FIG. 2 is a front view of the design shown in FIG. 1.
FIG. 3 is a side view of the design shown in FIG. 1.
FIG. 4 is a top view of the design shown in FIG. 1.
FIG. 5 is a bottom view of the design shown in FIG. 1.
FIG. 6 is a perspective view of the cover of the bread baker of FIGS. 1-5, shown separately to show aspects of the design that are not visible when combined with the base;
FIG. 7 is a front view of the design shown in FIG. 6.
FIG. 8 is a side view of the design shown in FIG. 6.
FIG. 9 is a top view of the design shown in FIG. 6.
FIG. 10 is a bottom view of the design shown in FIG. 6.
FIG. 11 is a perspective view of the base of the bread baker of FIGS. 1-5, shown separately to show aspects of the design that are not visible when combined with the cover;
FIG. 12 is a front view of the design shown in FIG. 11.
FIG. 13 is a side view of the design shown in FIG. 11.
FIG. 14 is a top view of the design shown in FIG. 11; and,
FIG. 15 is a bottom view of the design shown in FIG. 11.

1 Claim, 12 Drawing Sheets



(56)

References Cited

U.S. PATENT DOCUMENTS

2,336,699 A 12/1943 Neth et al.
 D149,892 S 6/1948 Meskin
 D255,747 S 7/1980 Rinaldi
 D268,560 S 4/1983 Daenen et al.
 D271,839 S 12/1983 Powers
 D271,840 S 12/1983 Powers
 D274,300 S * 6/1984 Pozzi D7/542
 D281,480 S 11/1985 McClelland
 5,189,947 A * 3/1993 Yim A47J 27/04
 126/369
 D340,614 S 10/1993 Kaeding
 D347,356 S * 5/1994 Yim D7/354
 D347,548 S * 6/1994 Boehm D7/323
 D348,377 S 7/1994 Douglas
 D408,222 S 4/1999 Carter
 D431,420 S 10/2000 Susta
 D449,958 S 11/2001 Liu
 D453,660 S 2/2002 Pai
 D468,151 S * 1/2003 Yeh D7/337
 D470,714 S 2/2003 Kloppsteck
 D478,244 S 8/2003 Zhu
 D478,462 S 8/2003 Zhu
 D478,769 S 8/2003 Zhu
 D478,772 S * 8/2003 Chung D7/337
 D498,386 S 11/2004 Kloppsteck

D528,371 S * 9/2006 de Groote D7/609
 D544,292 S 6/2007 Lion et al.
 D544,295 S 6/2007 Lion et al.
 D547,130 S * 7/2007 de Groote D7/609
 D563,174 S 3/2008 Oneil et al.
 D609,959 S * 2/2010 Chen D7/337
 D631,686 S * 2/2011 Tiller D7/337
 D635,820 S 4/2011 Molayem
 D708,893 S 7/2014 Henry
 9,675,197 B2 * 6/2017 Schobloch A47J 27/04
 D801,745 S * 11/2017 Costa D7/337
 D819,392 S 6/2018 Mattei et al.
 D820,639 S 6/2018 Svaner
 D829,488 S 10/2018 Allen
 D897,142 S * 9/2020 Huang D7/339

OTHER PUBLICATIONS

Challenger Bread Pan: A Home Baker's Review, announced Apr. 24, 2020 [online], retrieved Oct. 20, 2020, retrieved from internet, <https://leavenly.com/challenger-bread-pan-a-home-bakers-review/>.*

Jim Challenger of Challenger Breadware, announced Jan. 3, 2019 [online], retrieved Oct. 20, 2020, retrieved from internet, <https://www.thesourdoughpodcast.com/episodes/2018/12/19/jim-challenger-of-challenger-breadware>.*

* cited by examiner

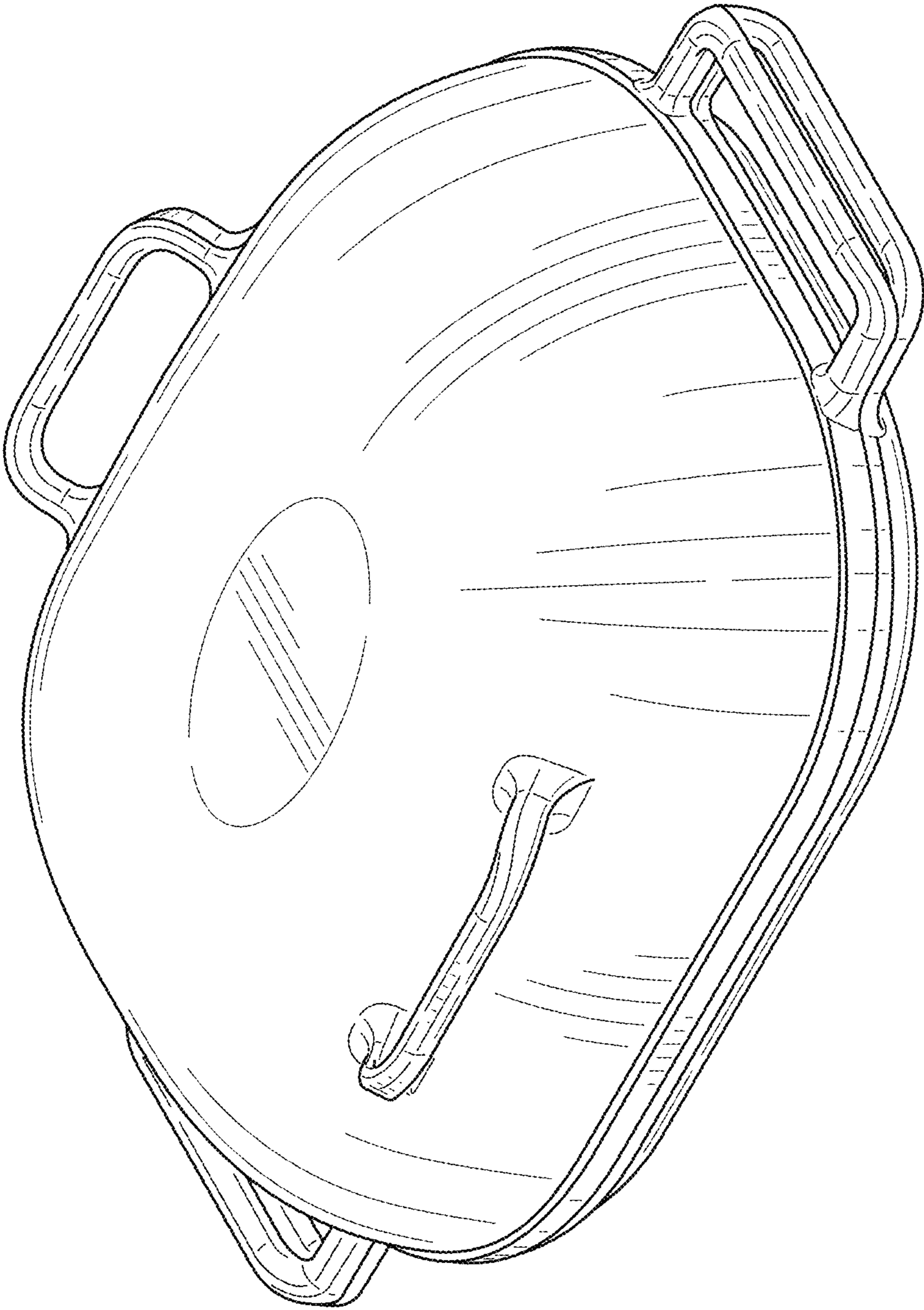


FIG. 1

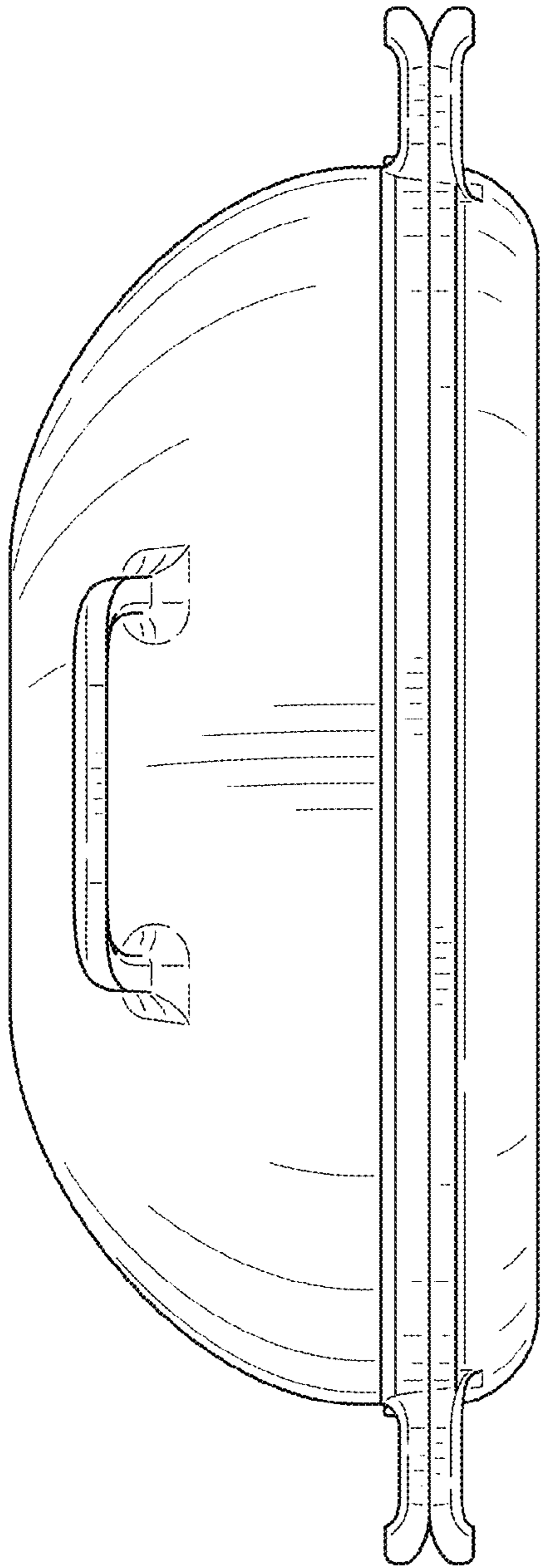


FIG. 2

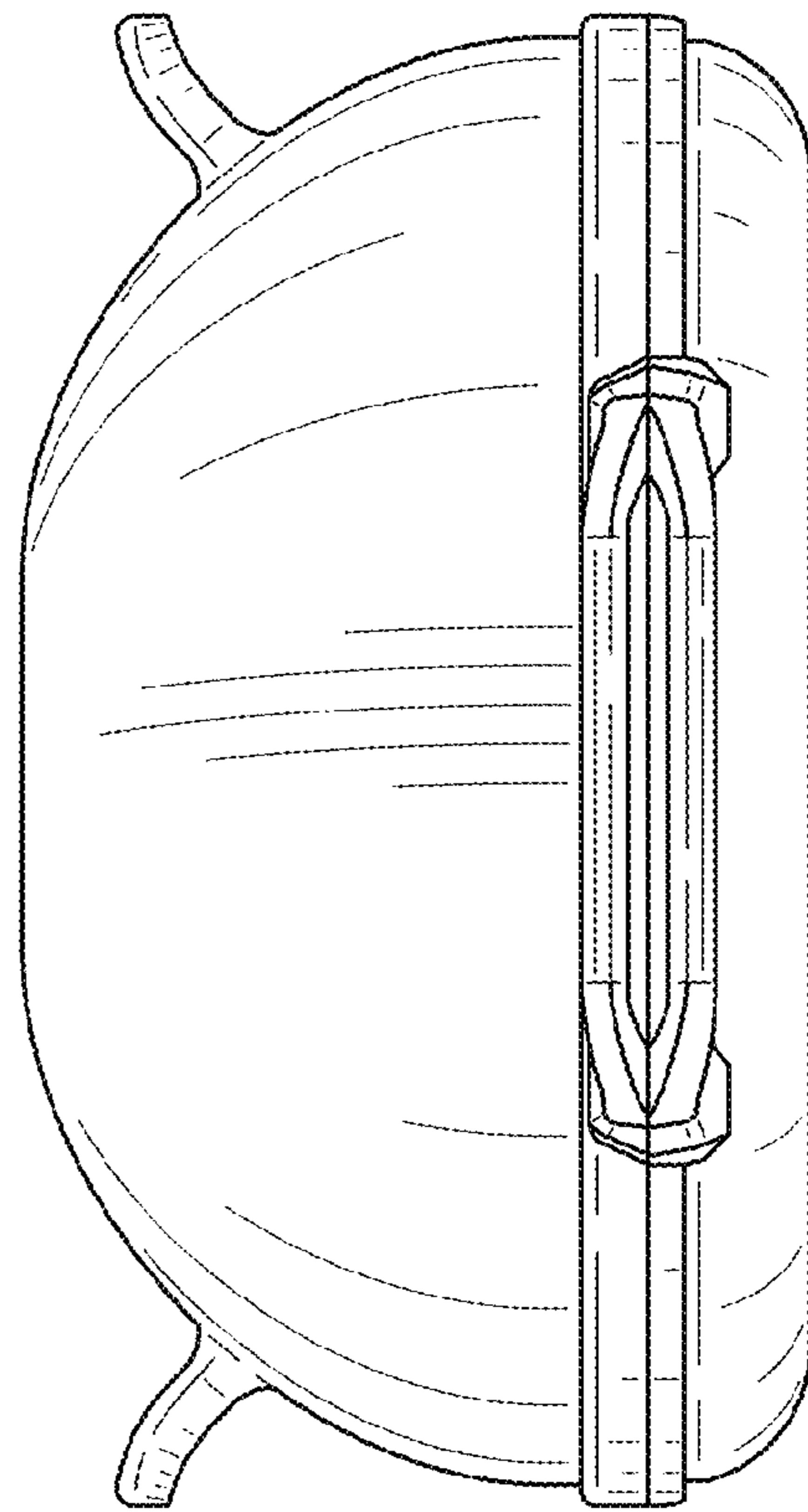


FIG. 3

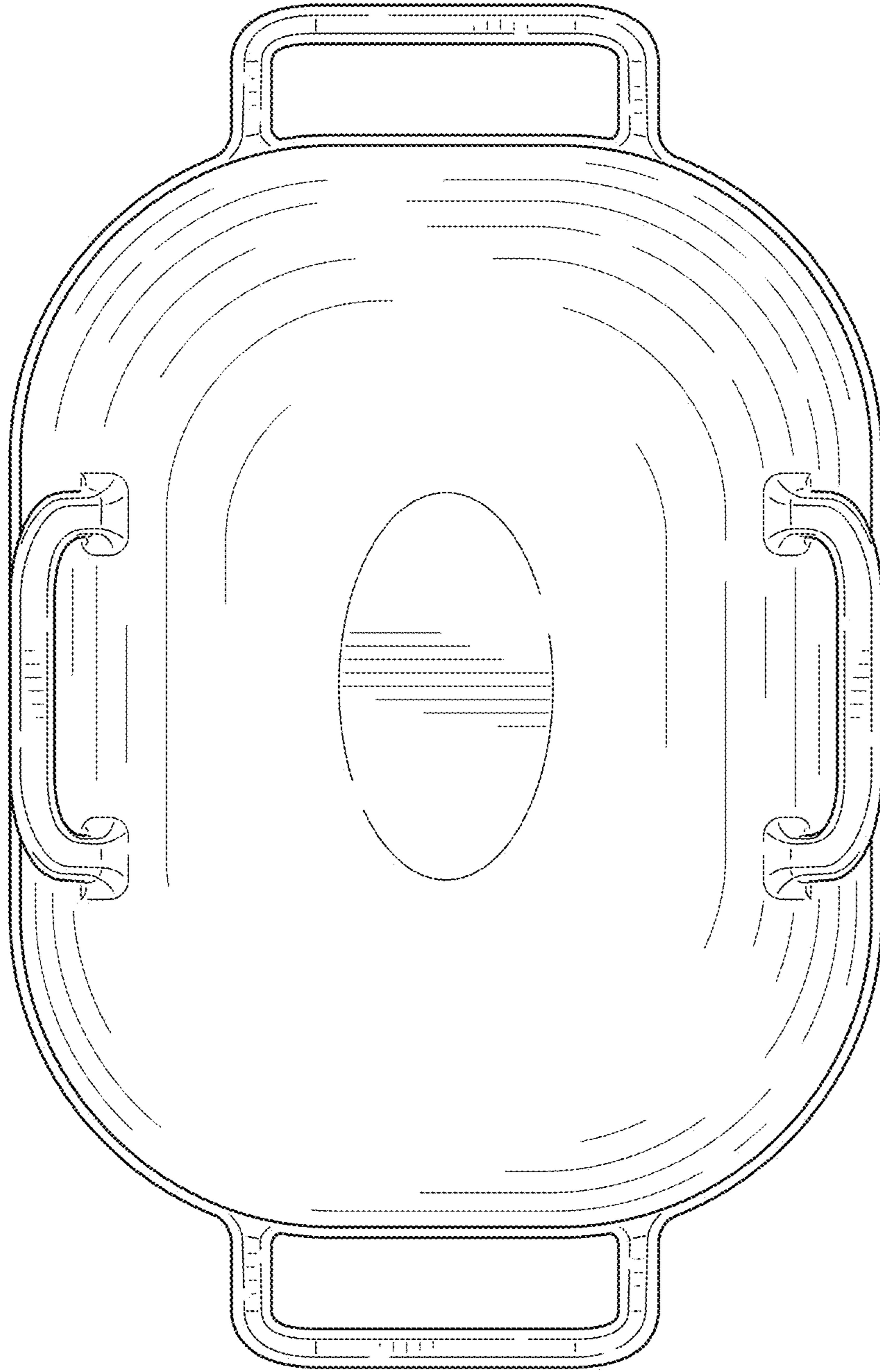


FIG. 4

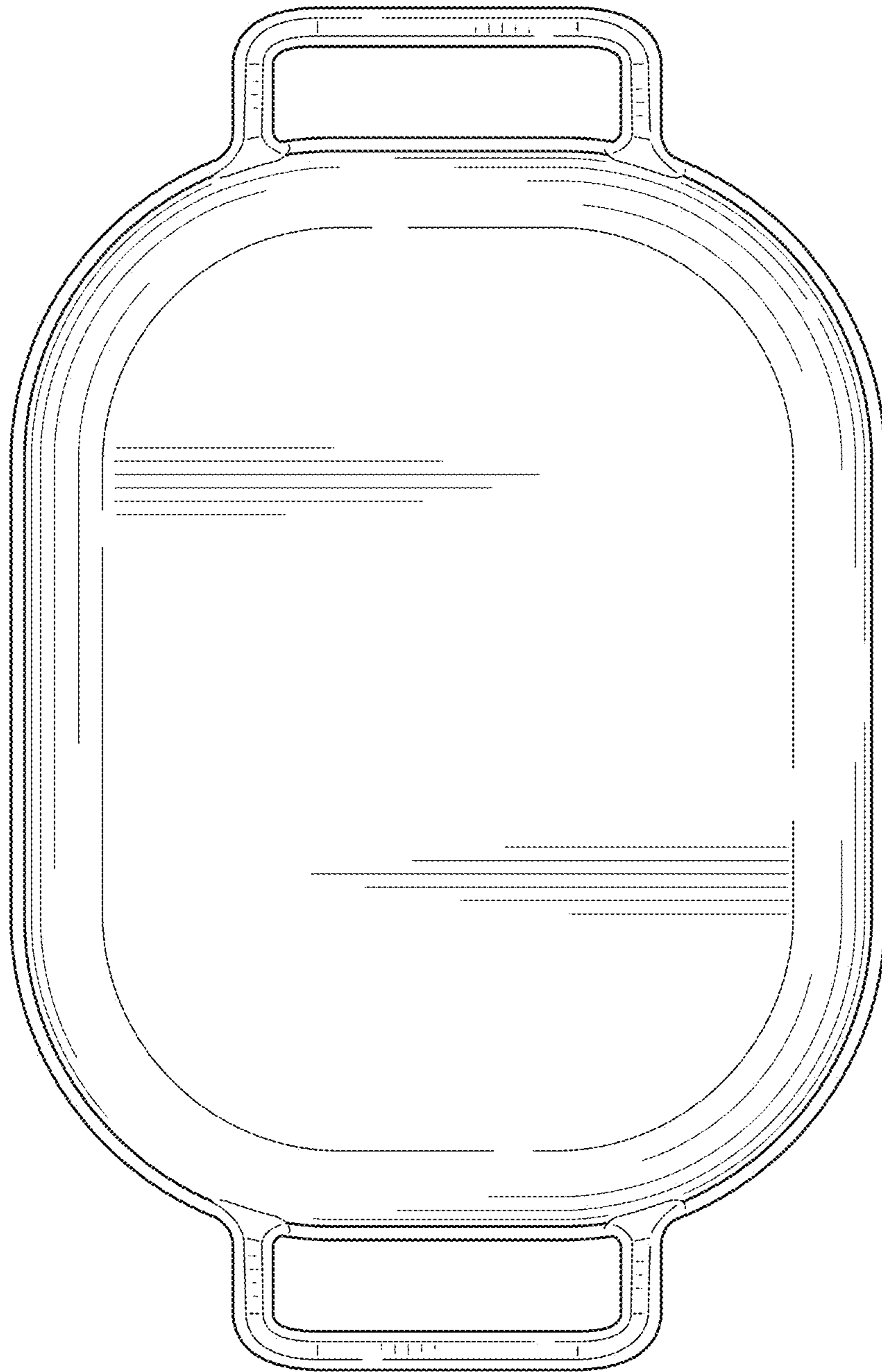


FIG. 5

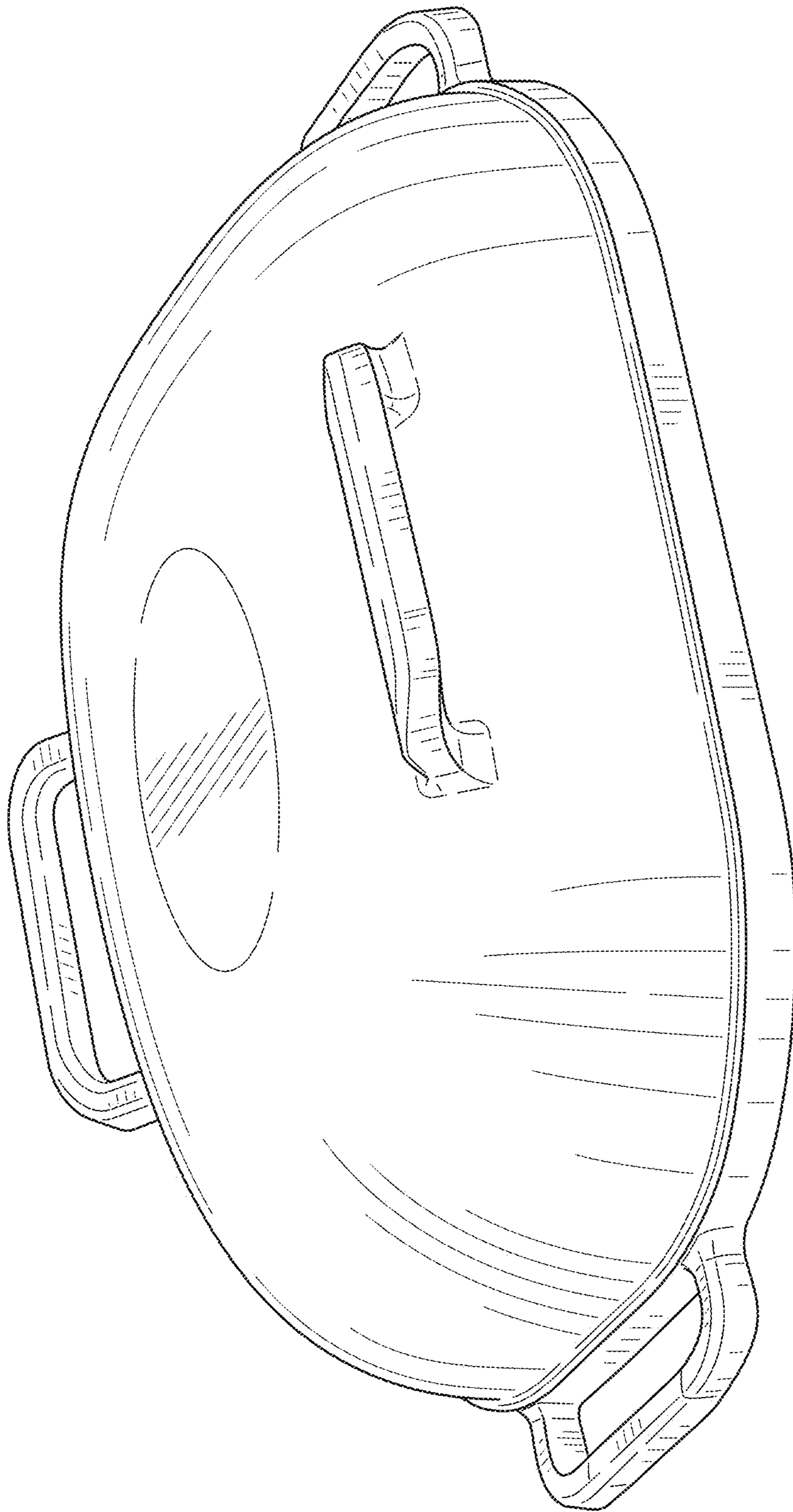


FIG. 6

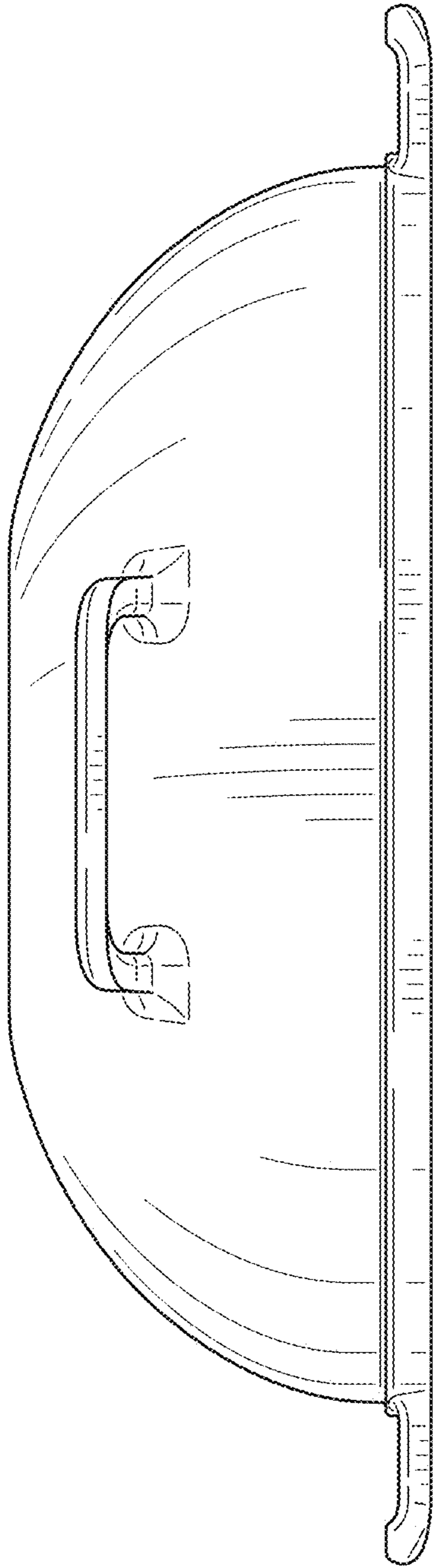


FIG. 7

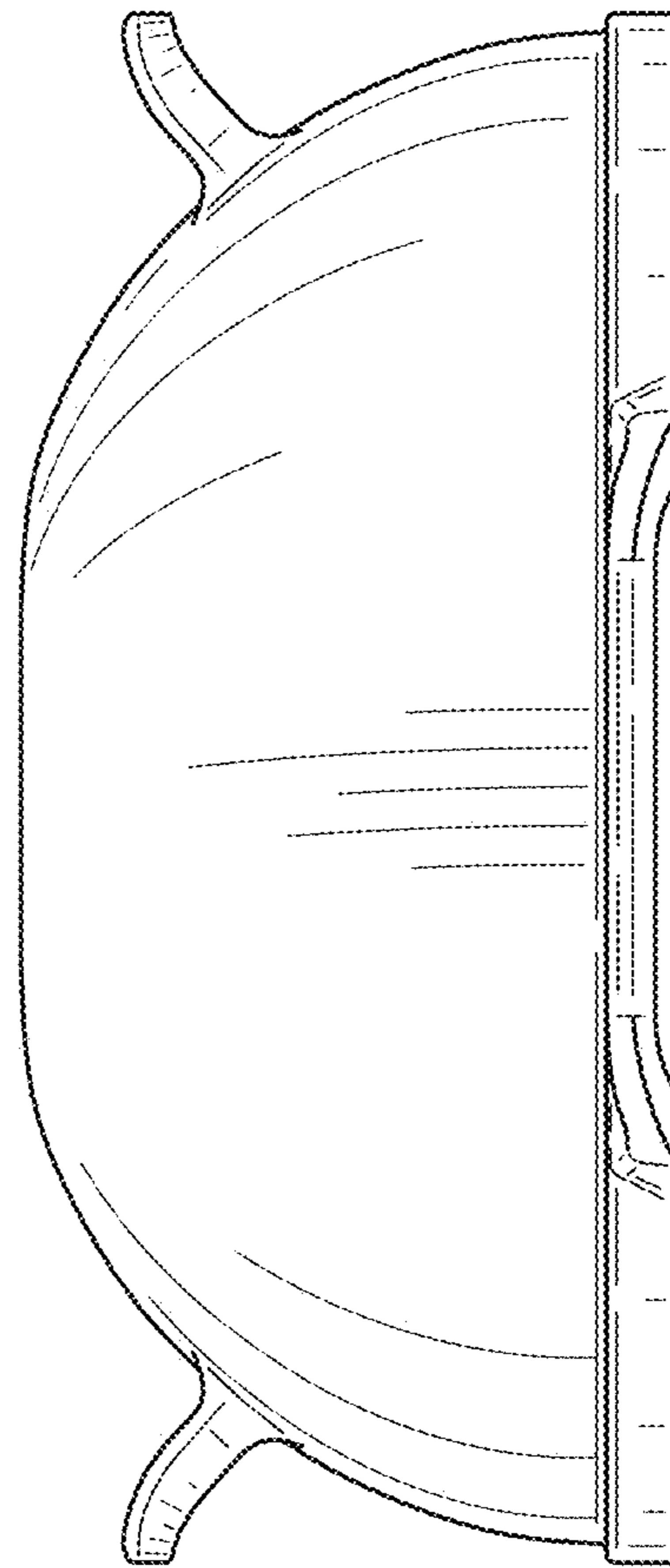


FIG. 8

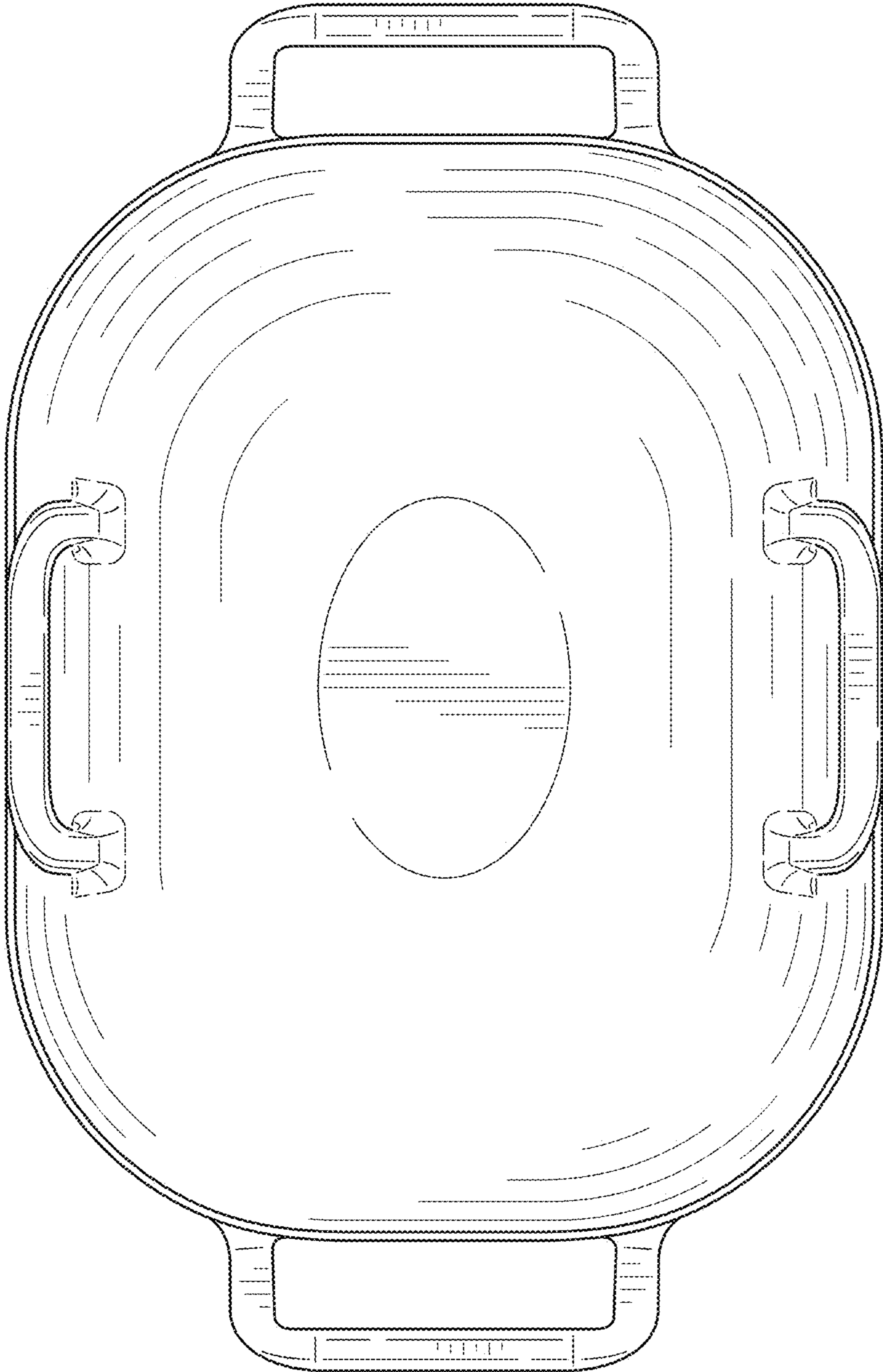


FIG. 9

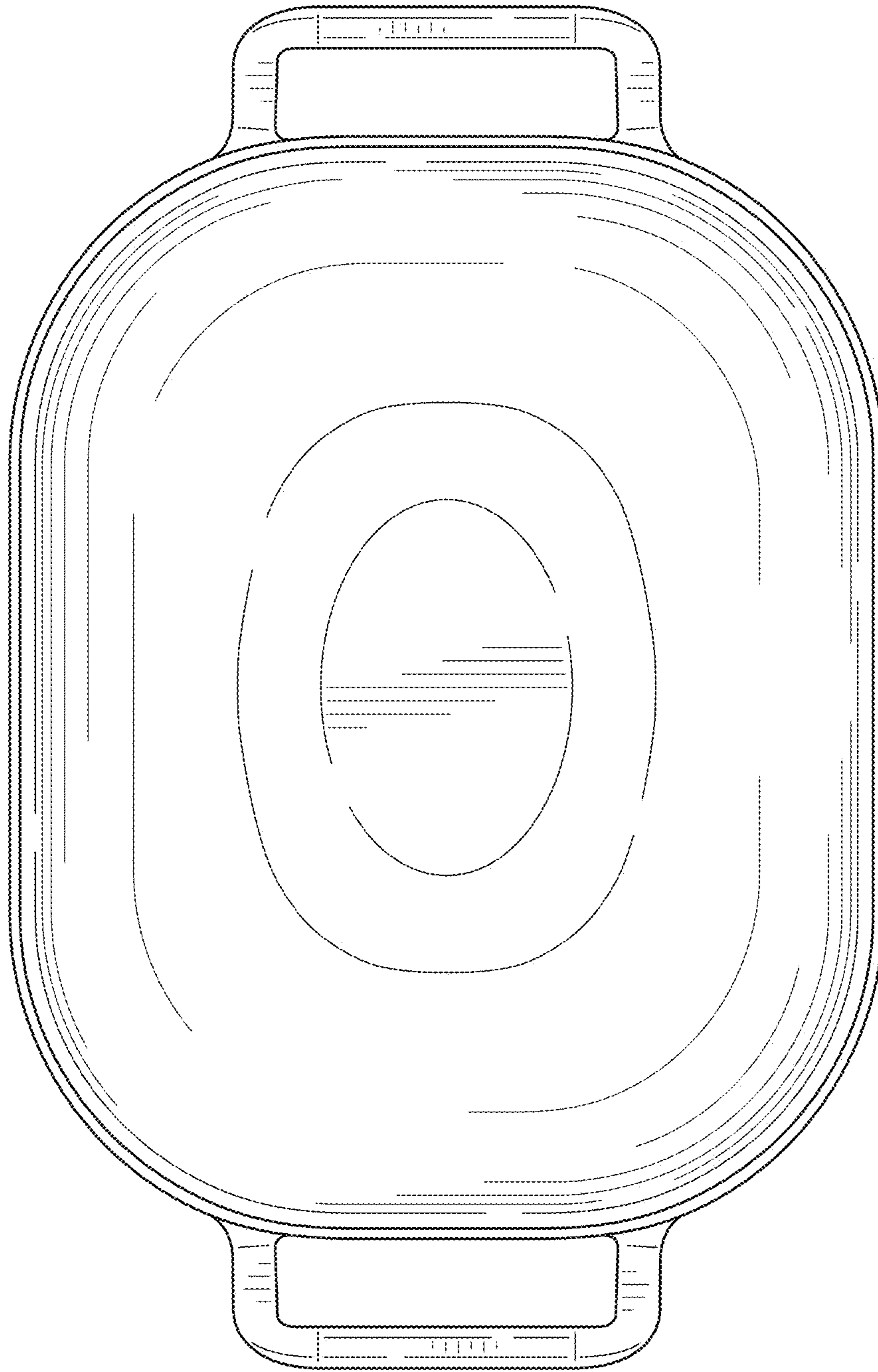


FIG. 10

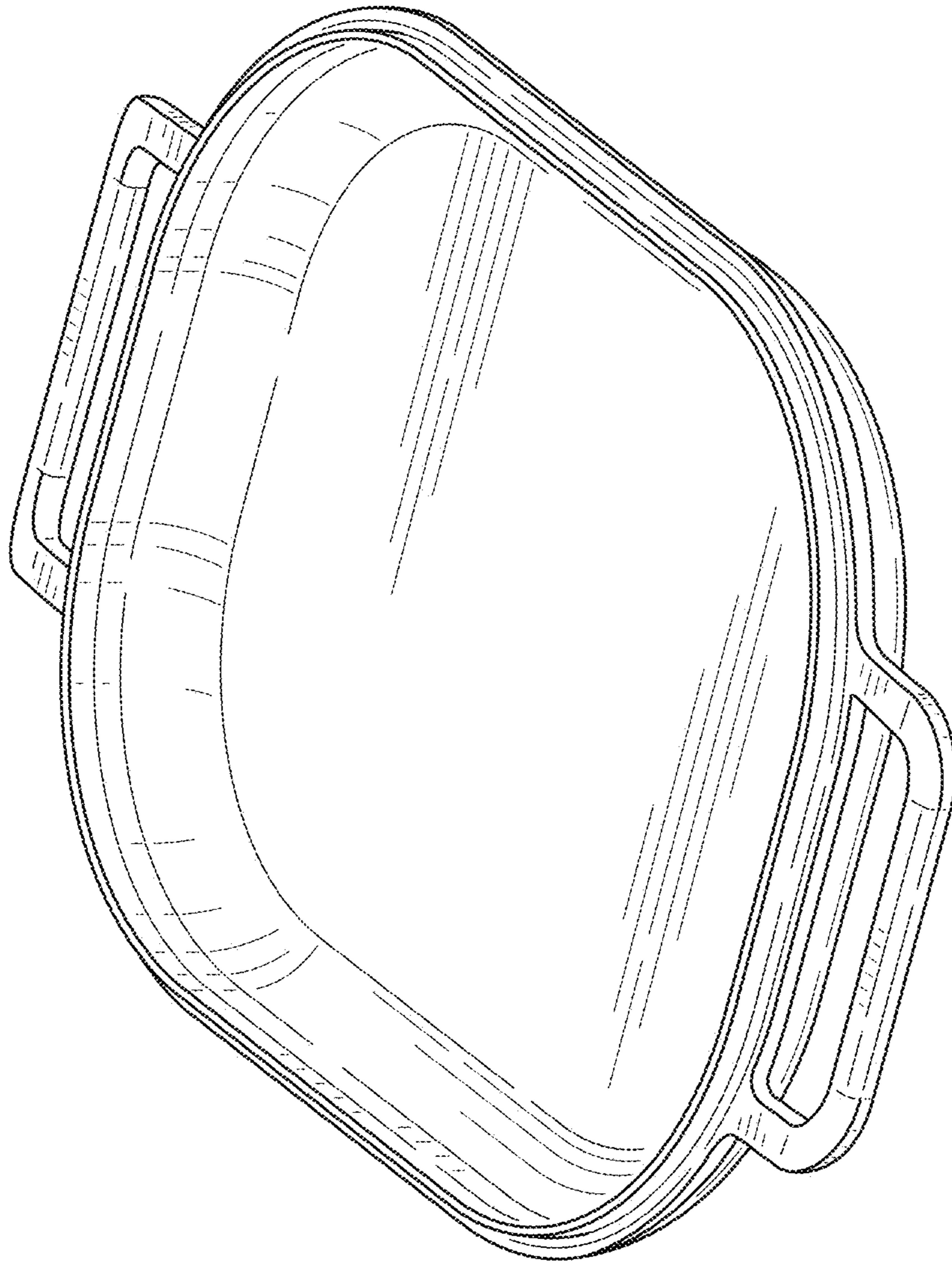


FIG. 11

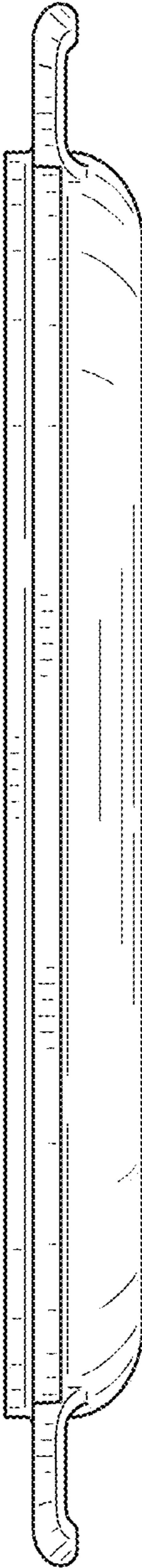


FIG. 12

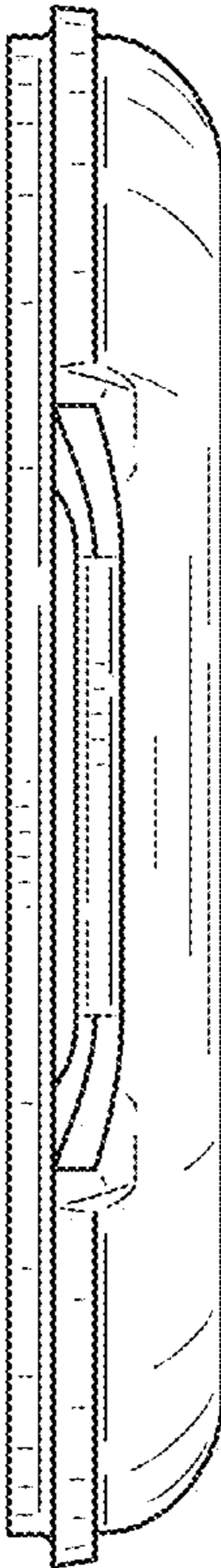


FIG. 13

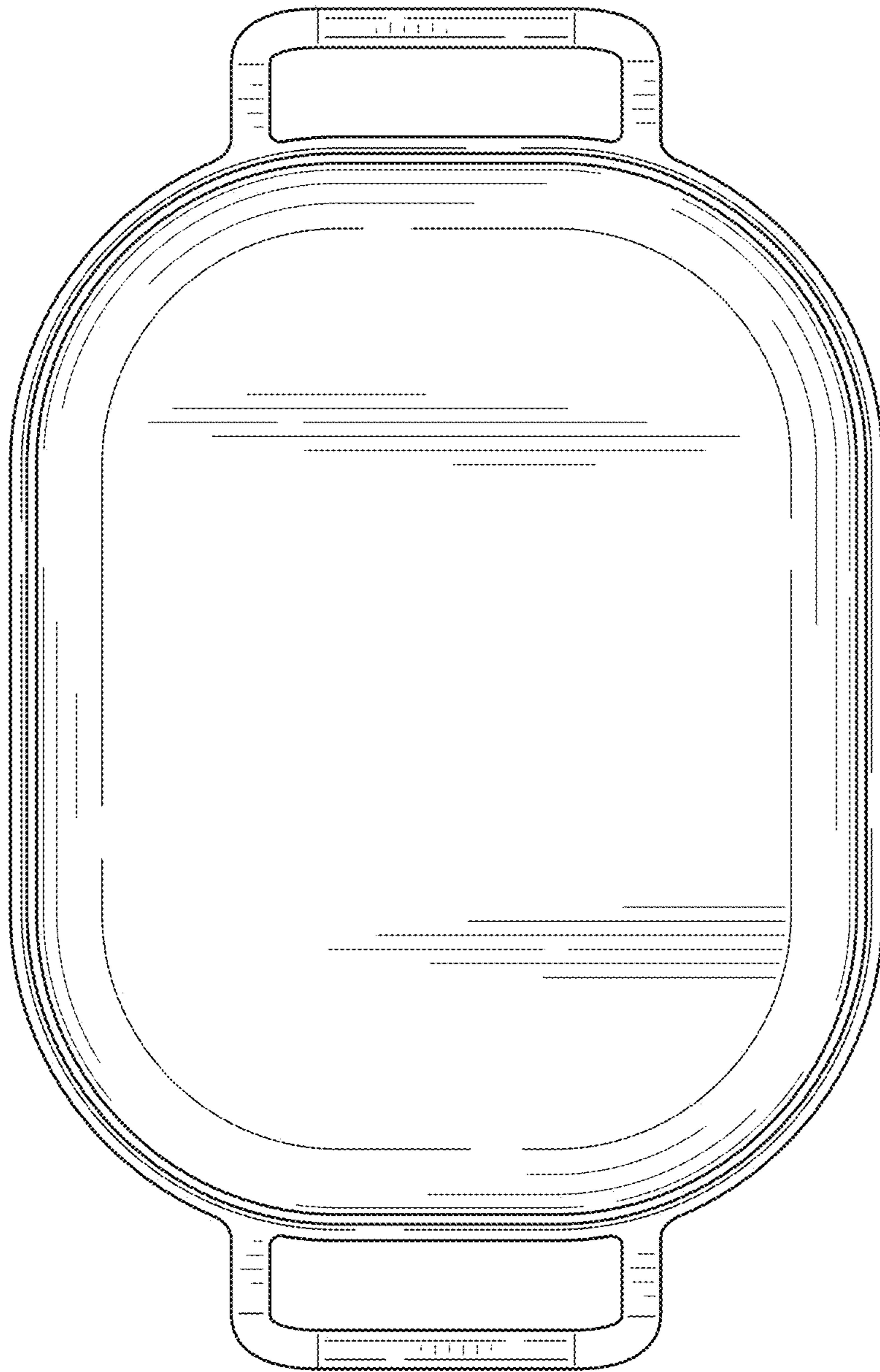


FIG. 14

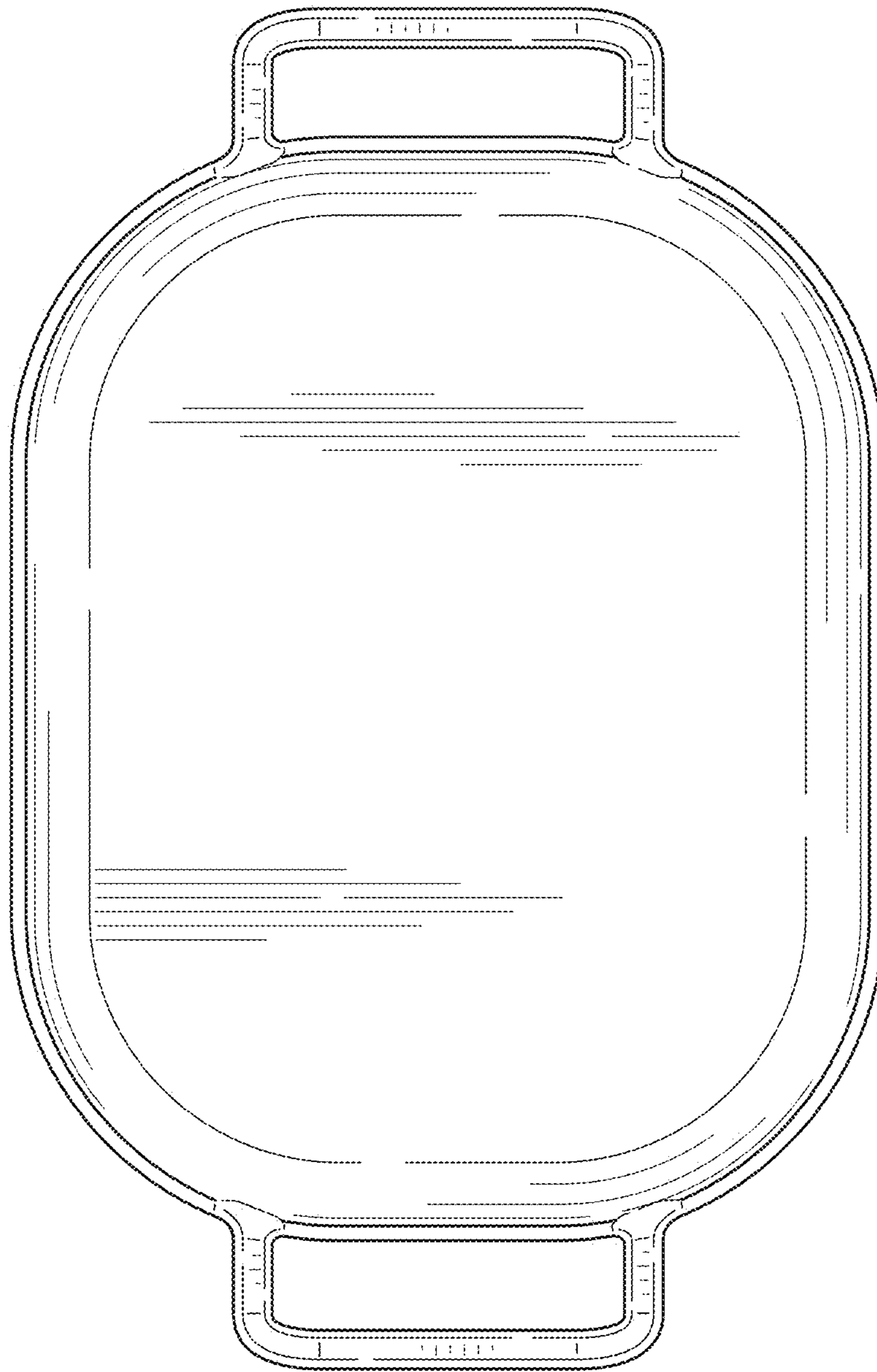


FIG. 15