



US00D904816S

(12) **United States Design Patent** (10) **Patent No.:** **US D904,816 S**  
**Swift** (45) **Date of Patent:** **\*\* Dec. 15, 2020**

(54) **HAMMOCK**

(71) Applicant: **Chesterfield Global Sourcing, LLC**,  
Providence, RI (US)  
(72) Inventor: **Joshua Swift**, Providence, RI (US)  
(73) Assignee: **CHESTERFIELD GLOBAL**  
**SOURCING, LLC**, Providence, RI  
(US)

(\*\*) Term: **15 Years**

(21) Appl. No.: **29/682,590**

(22) Filed: **Mar. 6, 2019**

(51) **LOC (12) Cl.** ..... **06-06**

(52) **U.S. Cl.**  
USPC ..... **D6/718.11; D6/387; D6/388**

(58) **Field of Classification Search**  
USPC ..... **D6/385-387, 718.1, 718.11, 718.12**  
CPC ..... **A45F 3/22; A45F 3/24; A45F 3/26**  
See application file for complete search history.

(56) **References Cited**

**U.S. PATENT DOCUMENTS**

6,467,109	B1 *	10/2002	Wu	.....	A45F 3/24
					5/120
6,711,764	B1 *	3/2004	Mauze, Jr.	.....	A45F 3/24
					5/120
7,926,129	B2 *	4/2011	Reeb	.....	A45F 3/24
					5/129
8,806,676	B2 *	8/2014	Reeb	.....	A45F 3/24
					5/120
2004/0206861	A1 *	10/2004	Le Gette	.....	A45F 3/24
					248/166
2005/0246836	A1 *	11/2005	Wu	.....	A45F 3/24
					5/120
2010/0024124	A1 *	2/2010	Reeb	.....	A45F 3/24
					5/129

**OTHER PUBLICATIONS**

Bamboozations Bamboo Hammock Stand, ikayouyi.com, site visited Jul. 23, 2020, available online at [https://www.ikayouyi.com/index.php?main\\_page=product\\_info&products\\_id=666370](https://www.ikayouyi.com/index.php?main_page=product_info&products_id=666370) (Year: 2020).\*  
Tropicana Bamboo Hammock, Alibaba.com, site visited Jul. 23, 2020, available online at [https://www.alibaba.com/product-detail/TROPICANA-BAMBOO-HAMMOCK\\_134856689.html](https://www.alibaba.com/product-detail/TROPICANA-BAMBOO-HAMMOCK_134856689.html)[Jul. 23, 2020 1:47:41 PM] (Year: 2020).\*

\* cited by examiner

*Primary Examiner* — Cathron C Brooks  
(74) *Attorney, Agent, or Firm* — McInnes & McLane, LLP

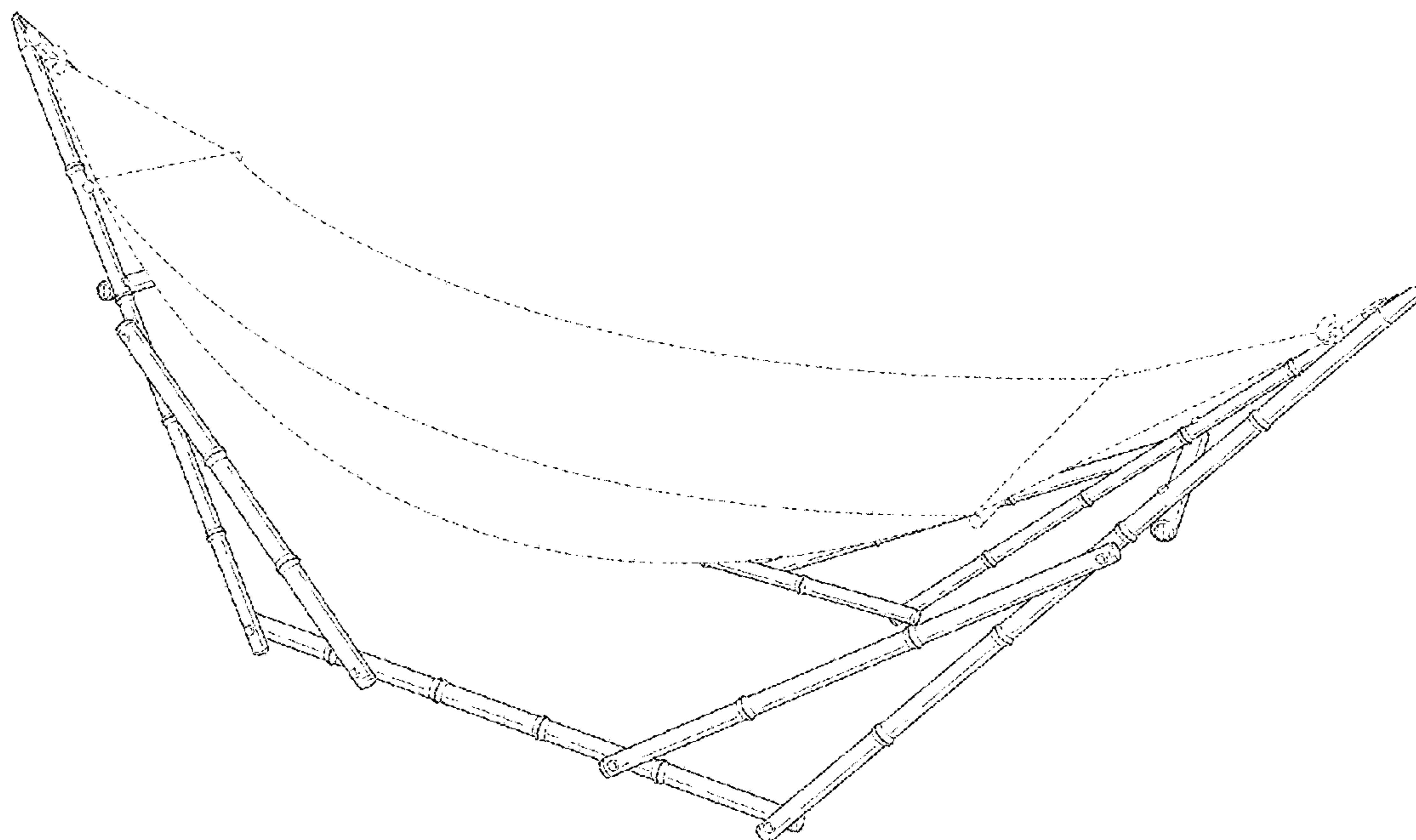
(57) **CLAIM**

The ornamental design for a hammock, as shown and described.

**DESCRIPTION**

FIG. 1 is a front, right side perspective view of a hammock showing my new design;  
FIG. 2 is a right side elevational view thereof;  
FIG. 3 is a left side elevational view thereof;  
FIG. 4 is a front elevational view thereof;  
FIG. 5 is a rear elevational view thereof;  
FIG. 6 is a top plan view thereof; and,  
FIG. 7 is a bottom plan view thereof.  
The broken lines in the drawings illustrate portions of the hammock that form no part of the claimed design.  
The drawings include surface shading that represents contour and not surface ornamentation.

**1 Claim, 6 Drawing Sheets**



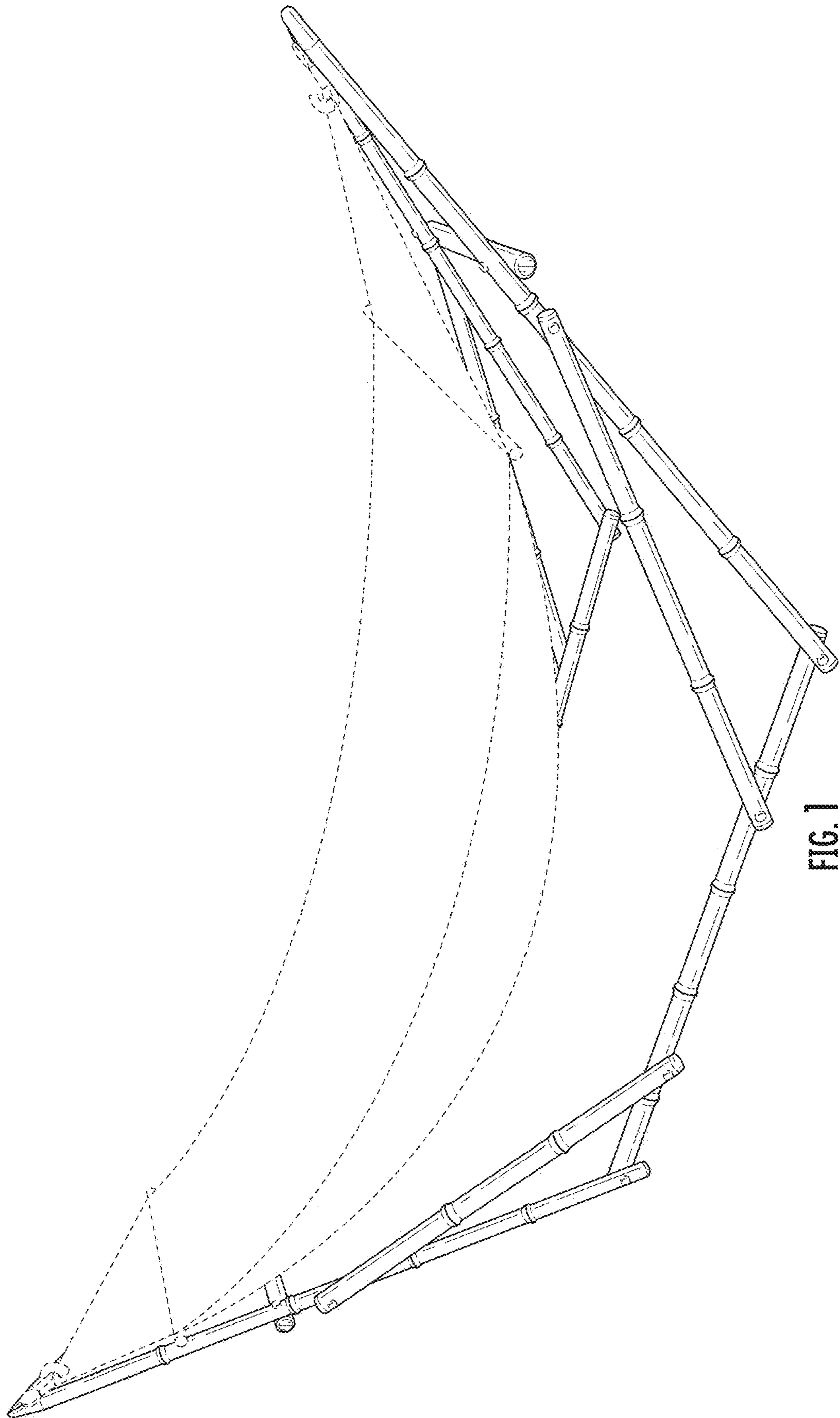


FIG. 1

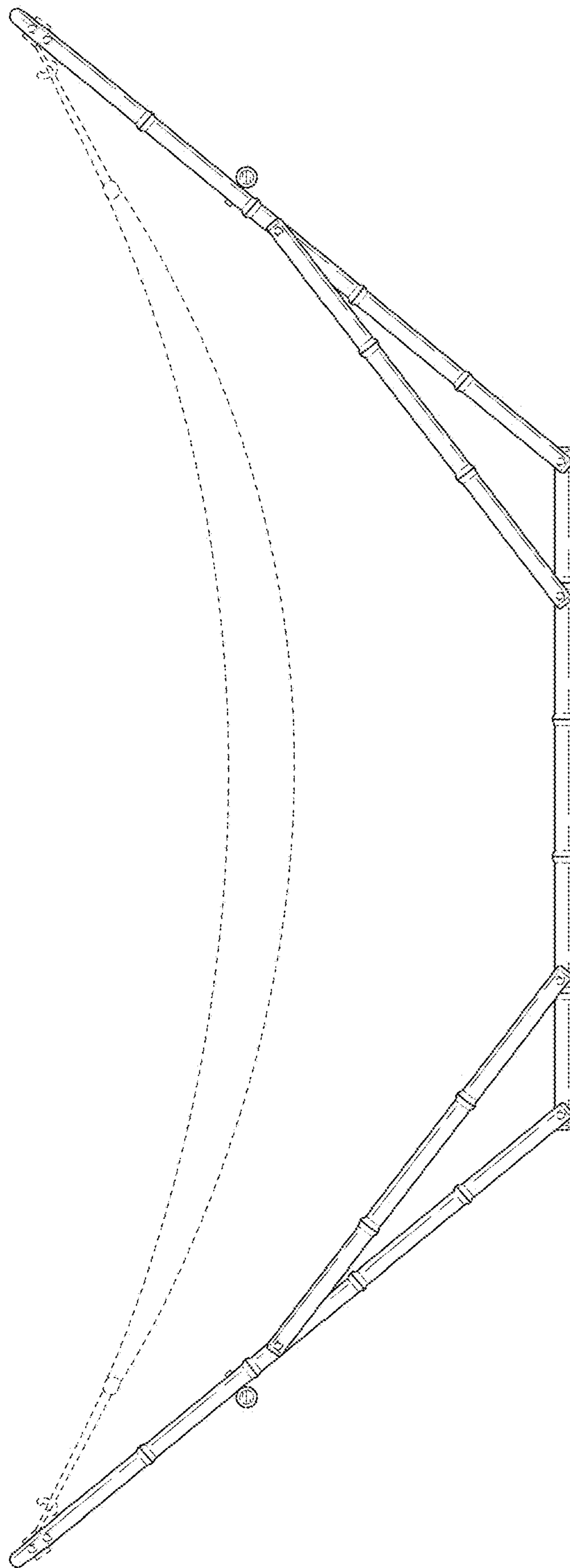


FIG. 2

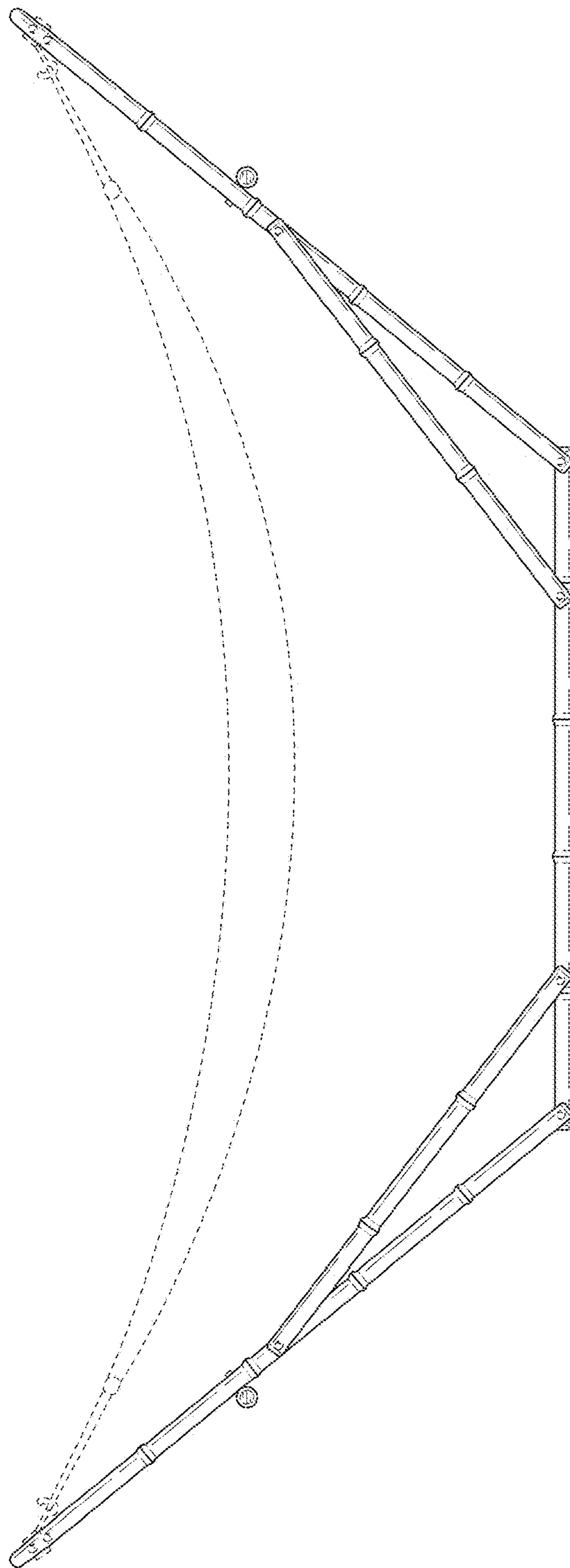


FIG. 3

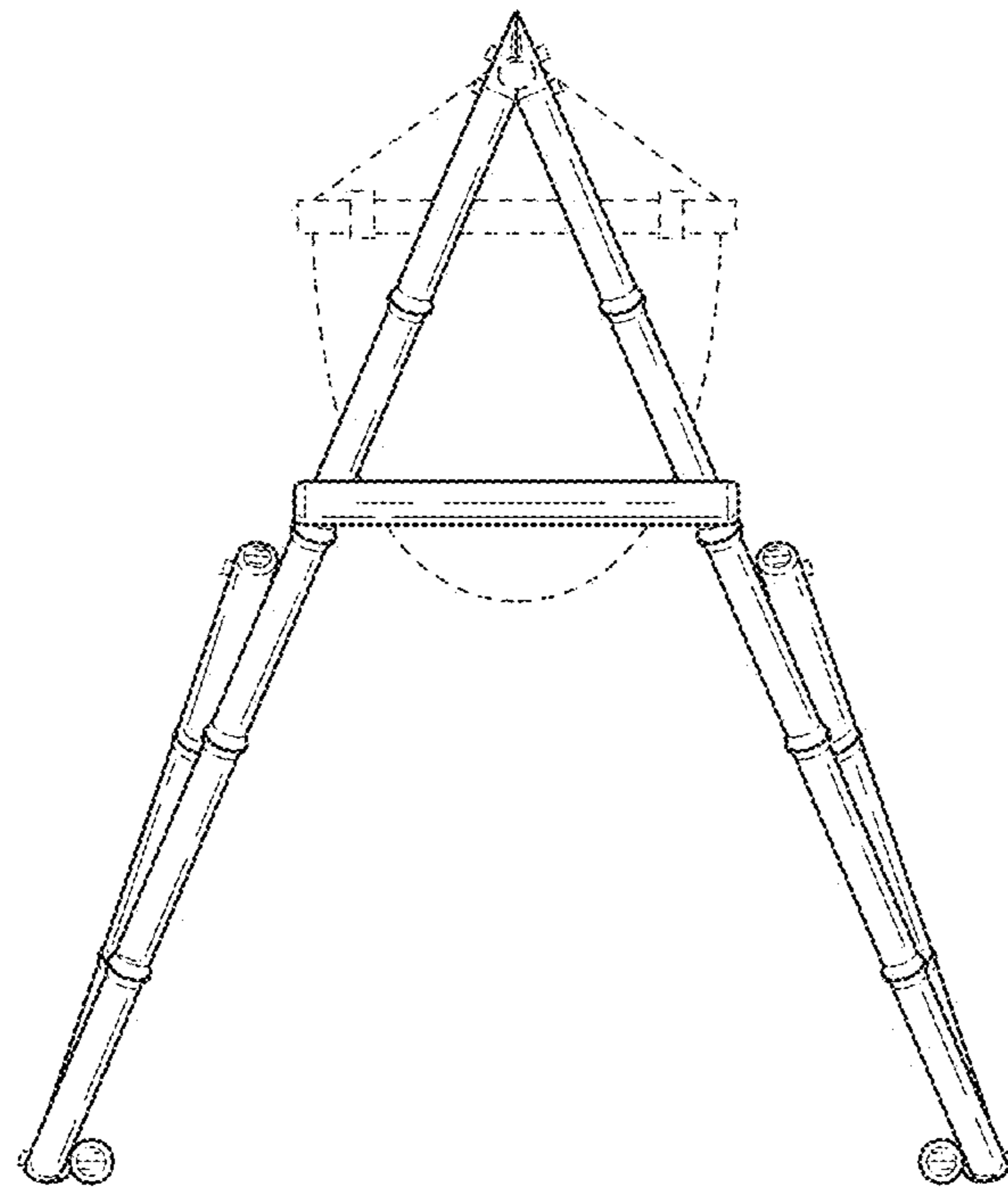


FIG. 4

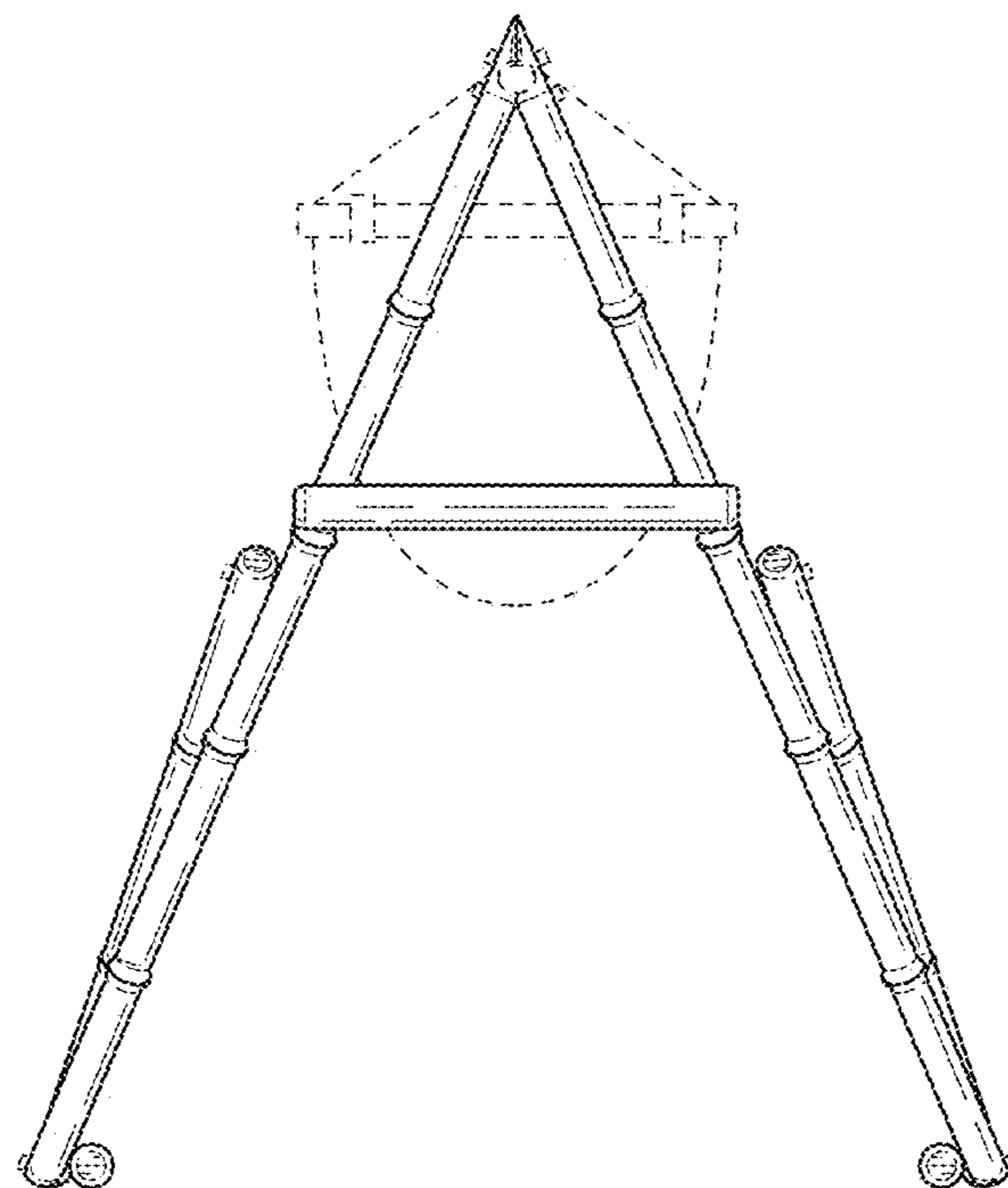


FIG. 5

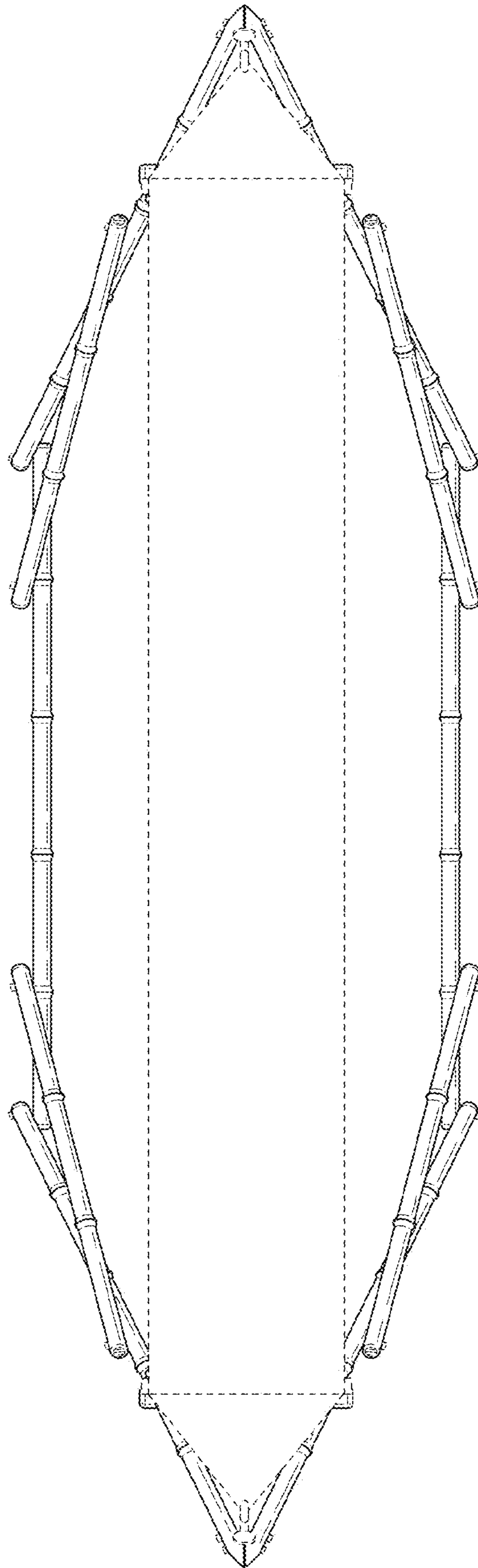


FIG. 6

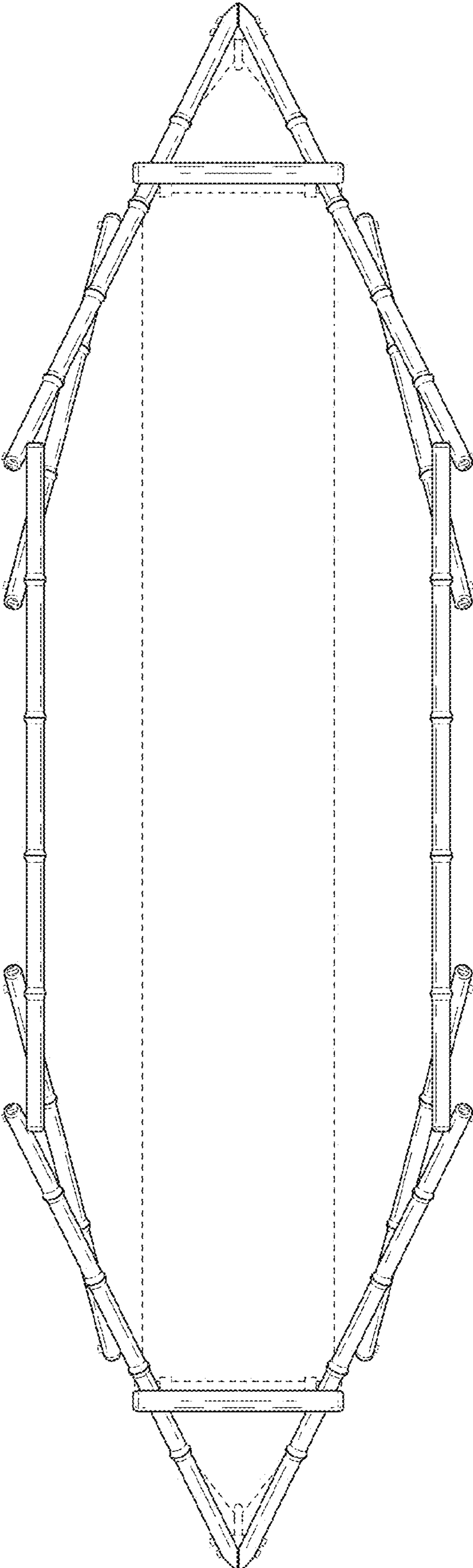


FIG. 7