



US00D904815S

(12) **United States Design Patent** (10) **Patent No.:** **US D904,815 S**
Valiulis et al. (45) **Date of Patent:** **** Dec. 15, 2020**

(54) **CAR SEAT HOLDER**

(56) **References Cited**

(71) Applicants: **Stanley Carl Valiulis**, Rockford, IL (US); **Lindsey Fleischhauer**, Naperville, IL (US)

U.S. PATENT DOCUMENTS

D509,260 S * 9/2005 Tabor D21/445
7,530,635 B2 * 5/2009 Schramek-Flye A47D 1/103
297/17
8,424,138 B1 * 4/2013 Pinnell B62B 3/1444
5/655
D724,852 S * 3/2015 Giampavolo D6/333
10,723,376 B2 * 7/2020 Valiulis B60N 2/2842

(72) Inventors: **Stanley Carl Valiulis**, Rockford, IL (US); **Lindsey Fleischhauer**, Naperville, IL (US)

(**) Term: **15 Years**

* cited by examiner

(21) Appl. No.: **29/681,922**

Primary Examiner — Abraham Bahta

(22) Filed: **Feb. 28, 2019**

(57) **CLAIM**

The ornamental design for a car seat holder, as shown and described.

Related U.S. Application Data

DESCRIPTION

(63) Continuation-in-part of application No. 16/149,104, filed on Oct. 1, 2018, now Pat. No. 10,723,376.

(51) **LOC (12) Cl.** **06-06**

(52) **U.S. Cl.**
USPC **D6/716**

(58) **Field of Classification Search**

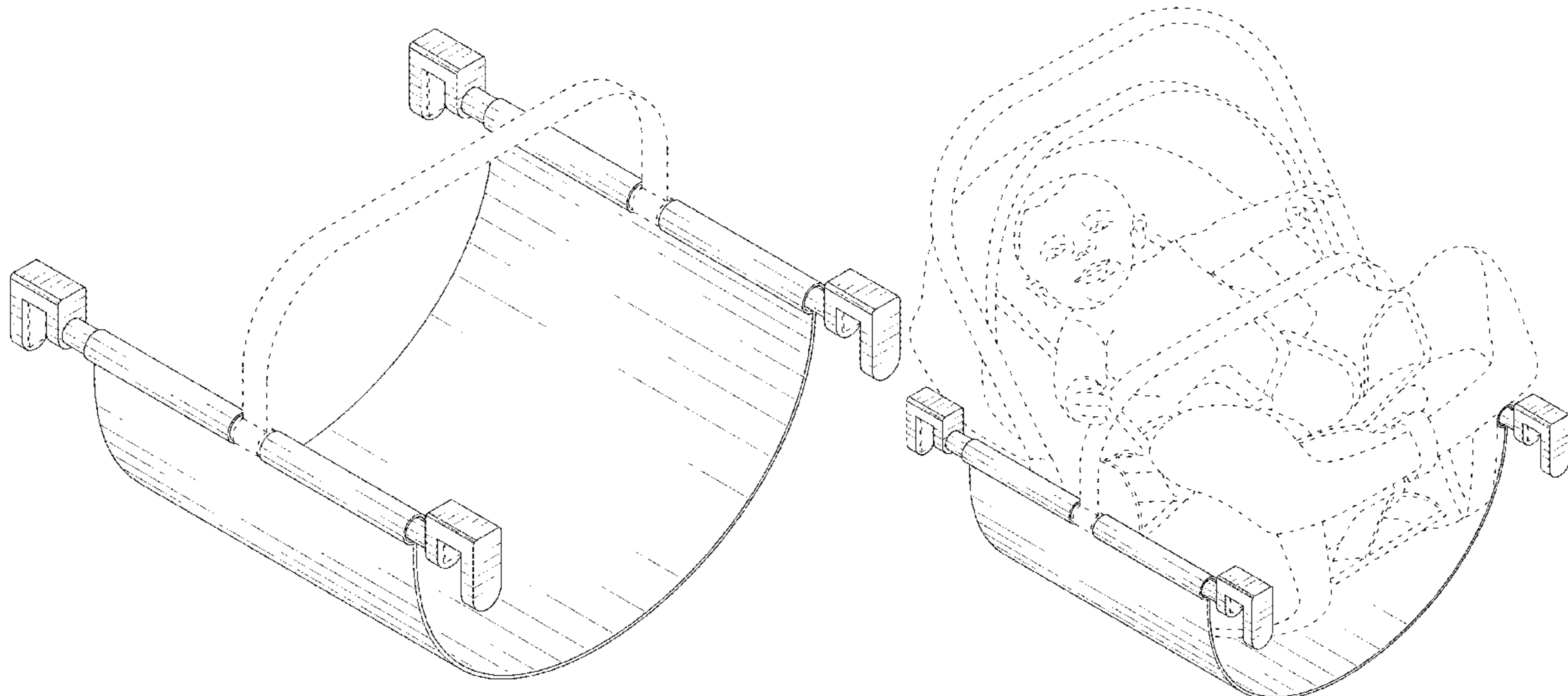
USPC D6/333-335, 339, 391, 389;
297/183.1-183.4, 184.13, 184.15, 184.17,
297/184.12, 224, 228.12, 250.1, 255,
297/256.1, 256.15, 256.16; 5/98.1, 99.1,
5/101-102, 414, 416; D12/401-403;
135/117, 124; 280/30-31, 642, 47.38,
280/647, 650, 658; D21/419, 834;
224/409; D34/27
CPC A47C 29/00; A47C 31/02; A47C 7/62;
A47C 7/66; A47D 15/00; A47D 13/00;
A47D 13/02; A47D 13/025; B60N 2/28;
B60N 2/2848; B60N 2/24; B60N 2/26;
B60N 2/00; B62B 3/14; B62B 3/1412;
B62B 5/082; B62B 5/08; B62B 5/085

See application file for complete search history.

FIG. 1 is a top perspective view of a car seat holder showing my new design;
FIG. 2 is a bottom perspective view thereof;
FIG. 3 is a front elevational view thereof;
FIG. 4 is a rear elevational view thereof;
FIG. 5 is a top plan view thereof;
FIG. 6 is a bottom plan view thereof;
FIG. 7 is a left elevated view thereof;
FIG. 8 is a right elevated view thereof;
FIG. 9 is a top perspective view thereof, showing the car seat holder in an alternate, expanded configuration; and,
FIG. 10 is a top perspective view of a car seat holder used as support for an infant car seat.

The broken lines showing of a strap in FIG. 1-9 and the broken lines showing of padding on the grips in FIG. 1-4, FIG. 6, and FIG. 9, and the broken lines showing of an infant car seat in FIG. 10 are included for the purpose of showing environmental structure and form no part of the claimed design.

1 Claim, 10 Drawing Sheets



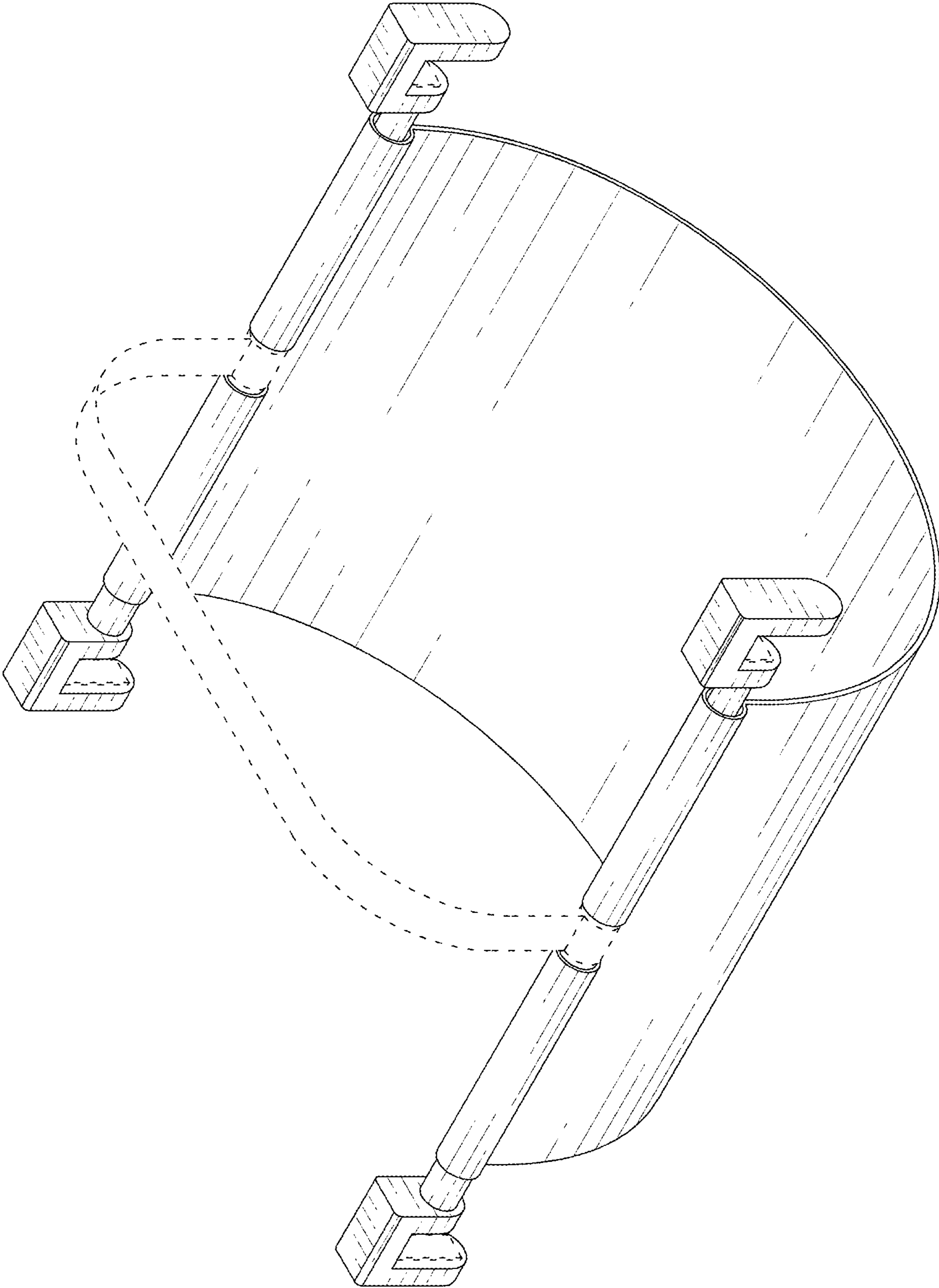


FIG. 1

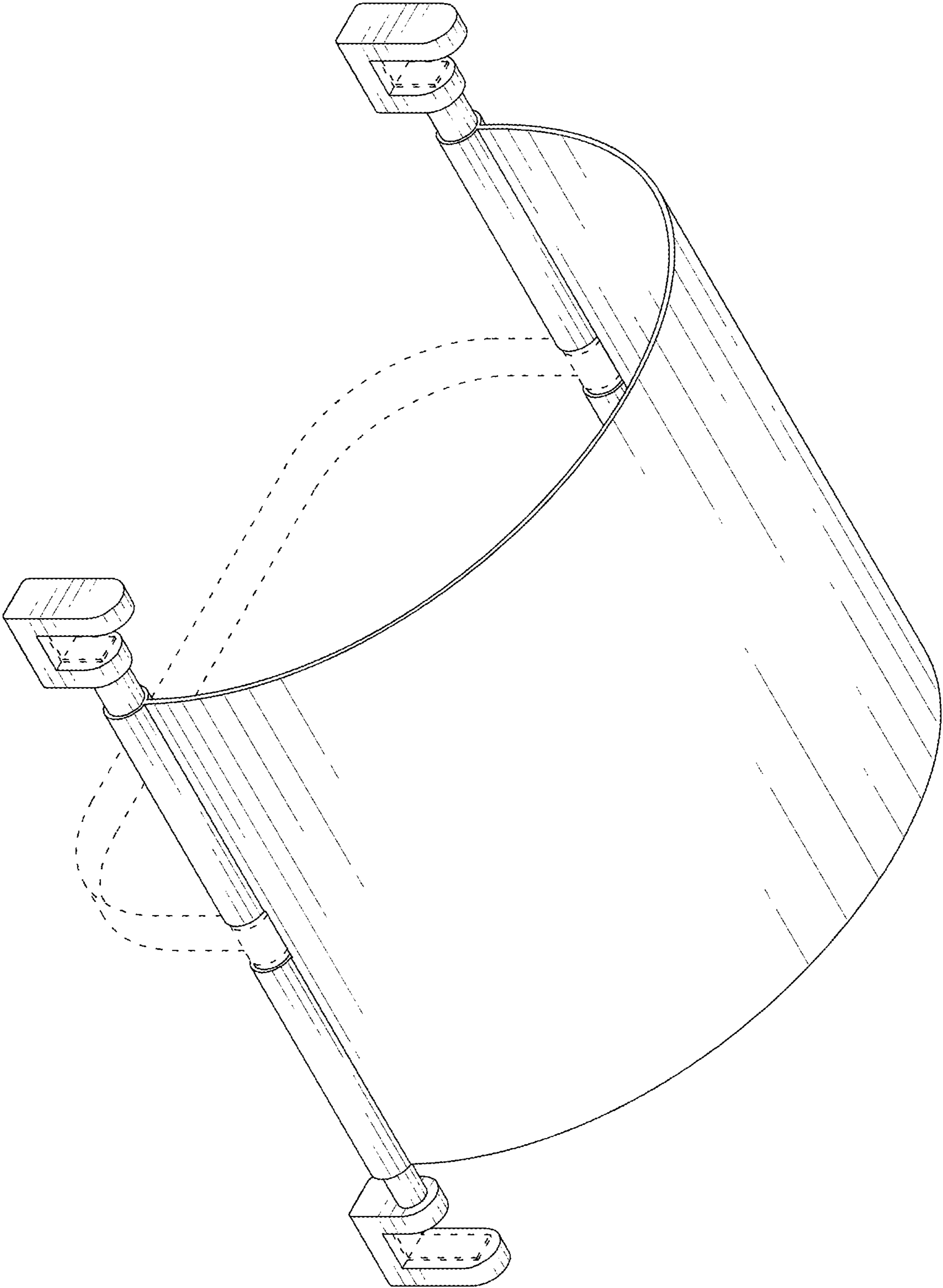


FIG. 2

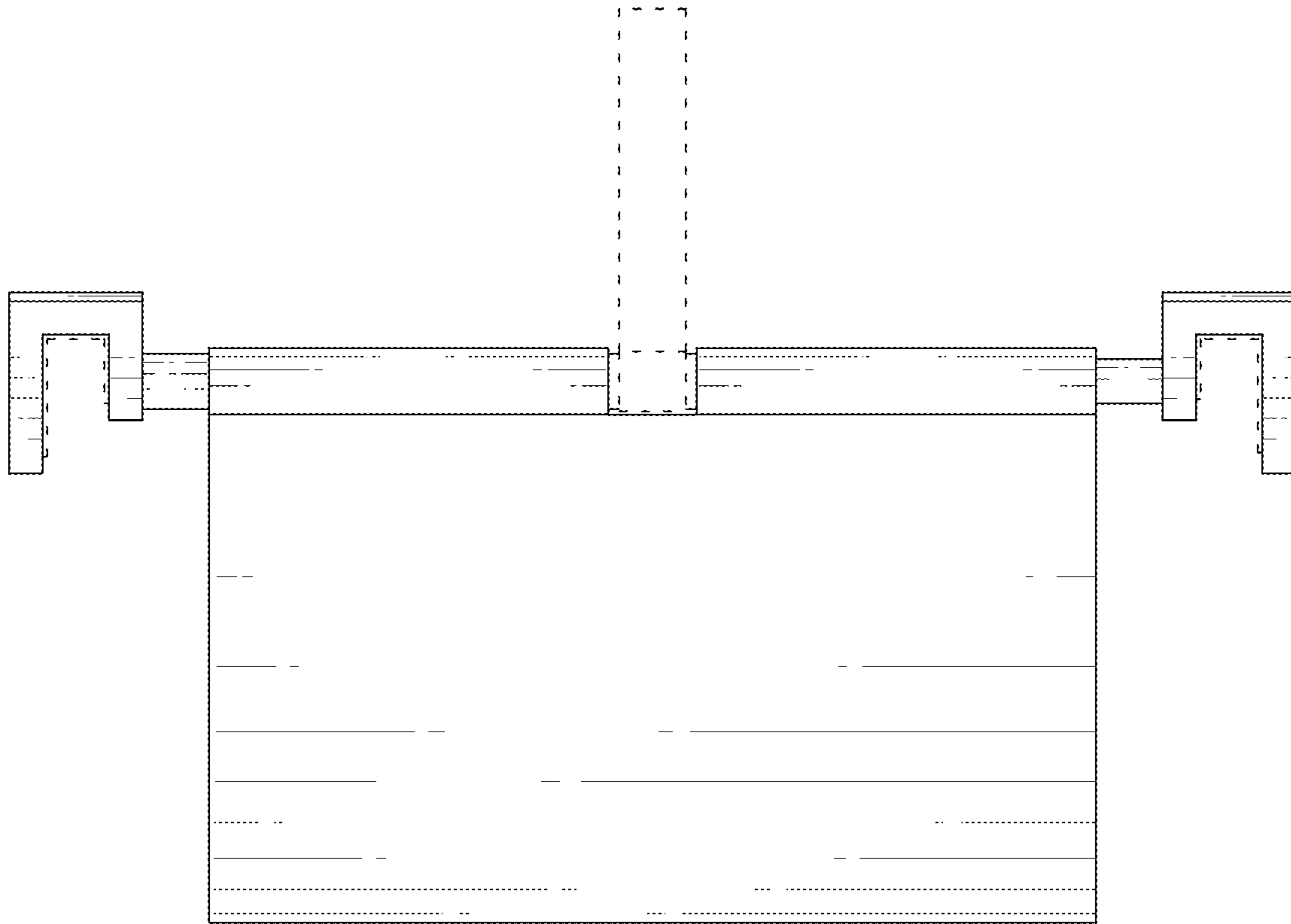


FIG. 3

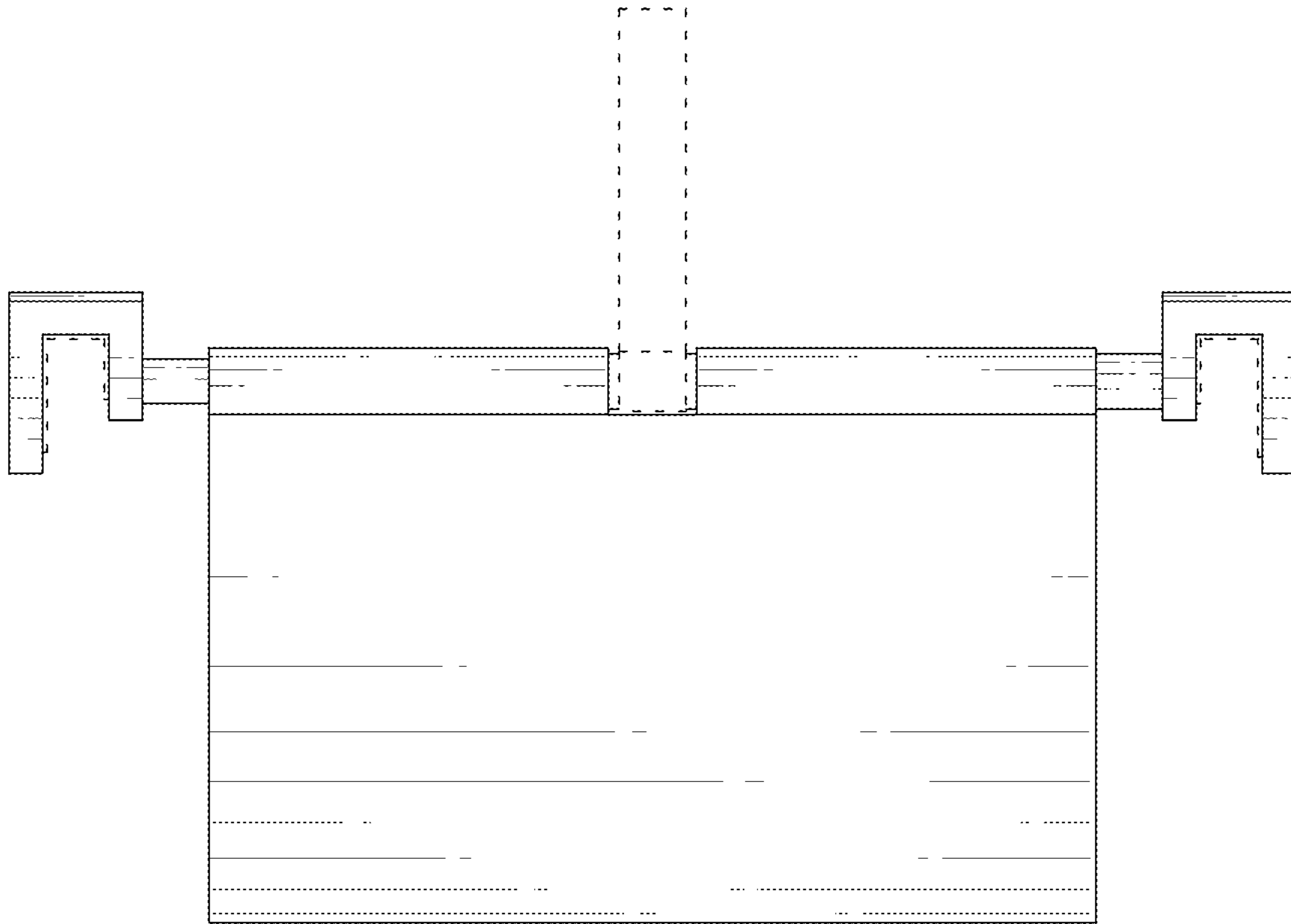


FIG. 4

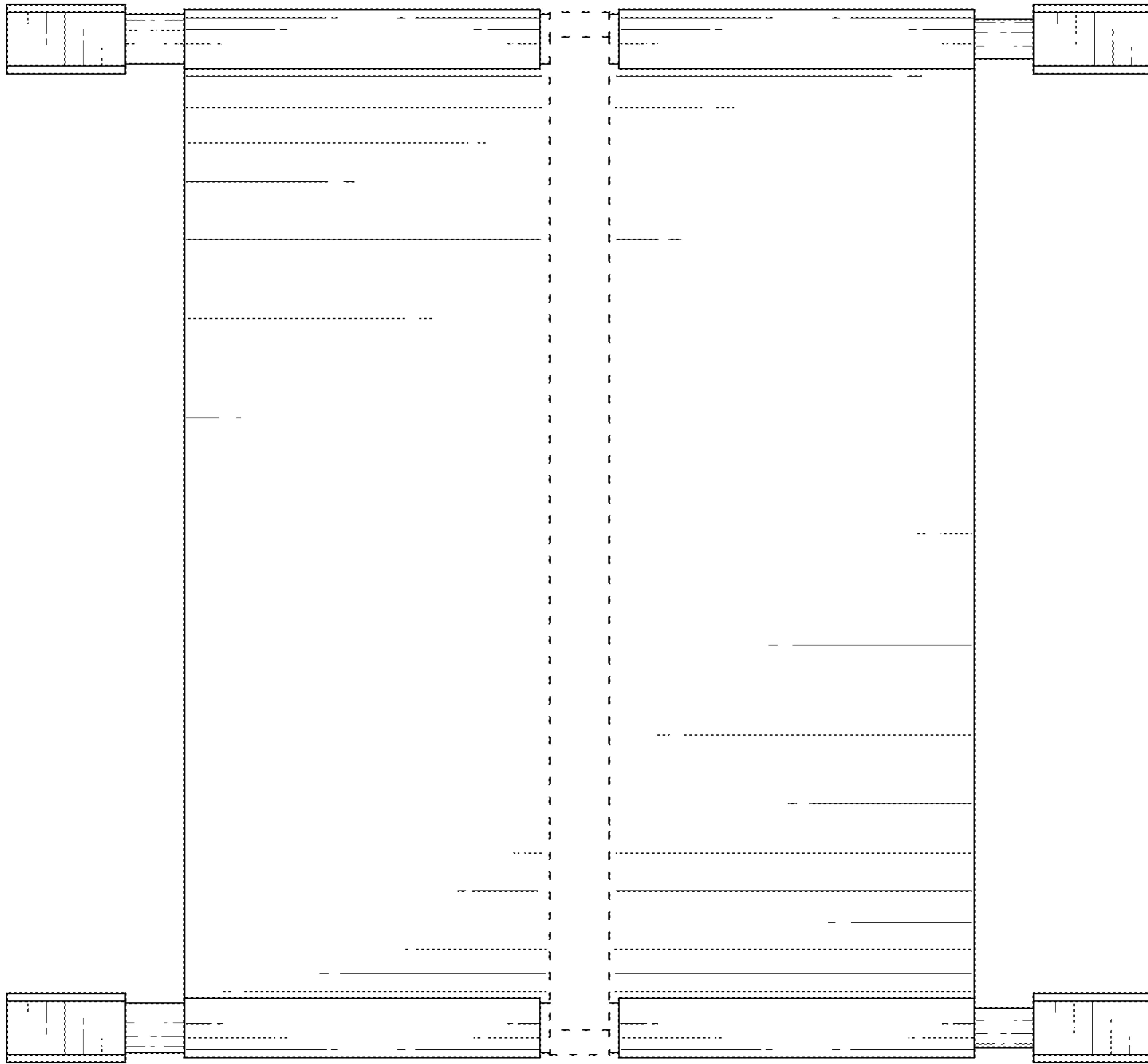


FIG. 5

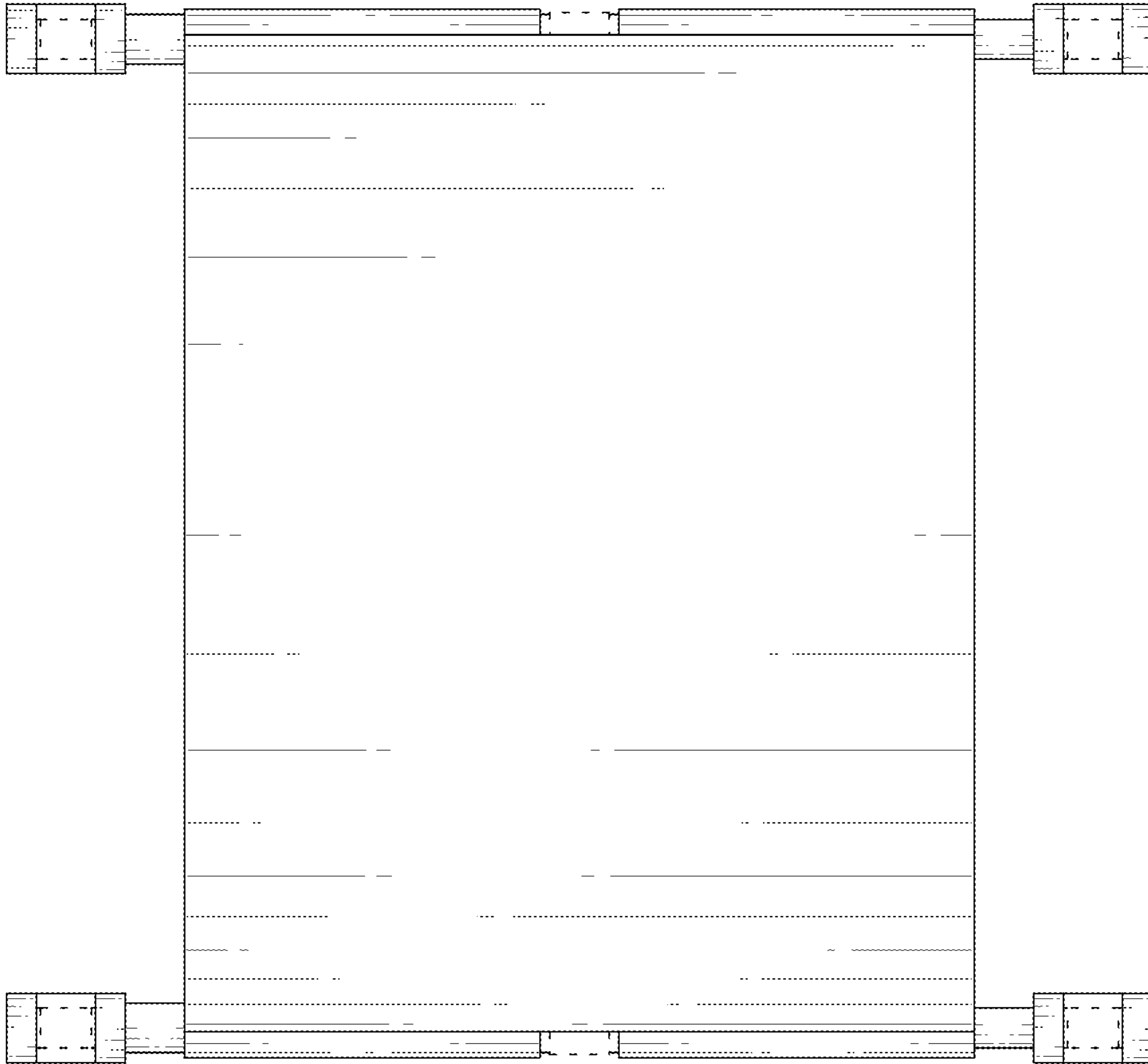


FIG. 6

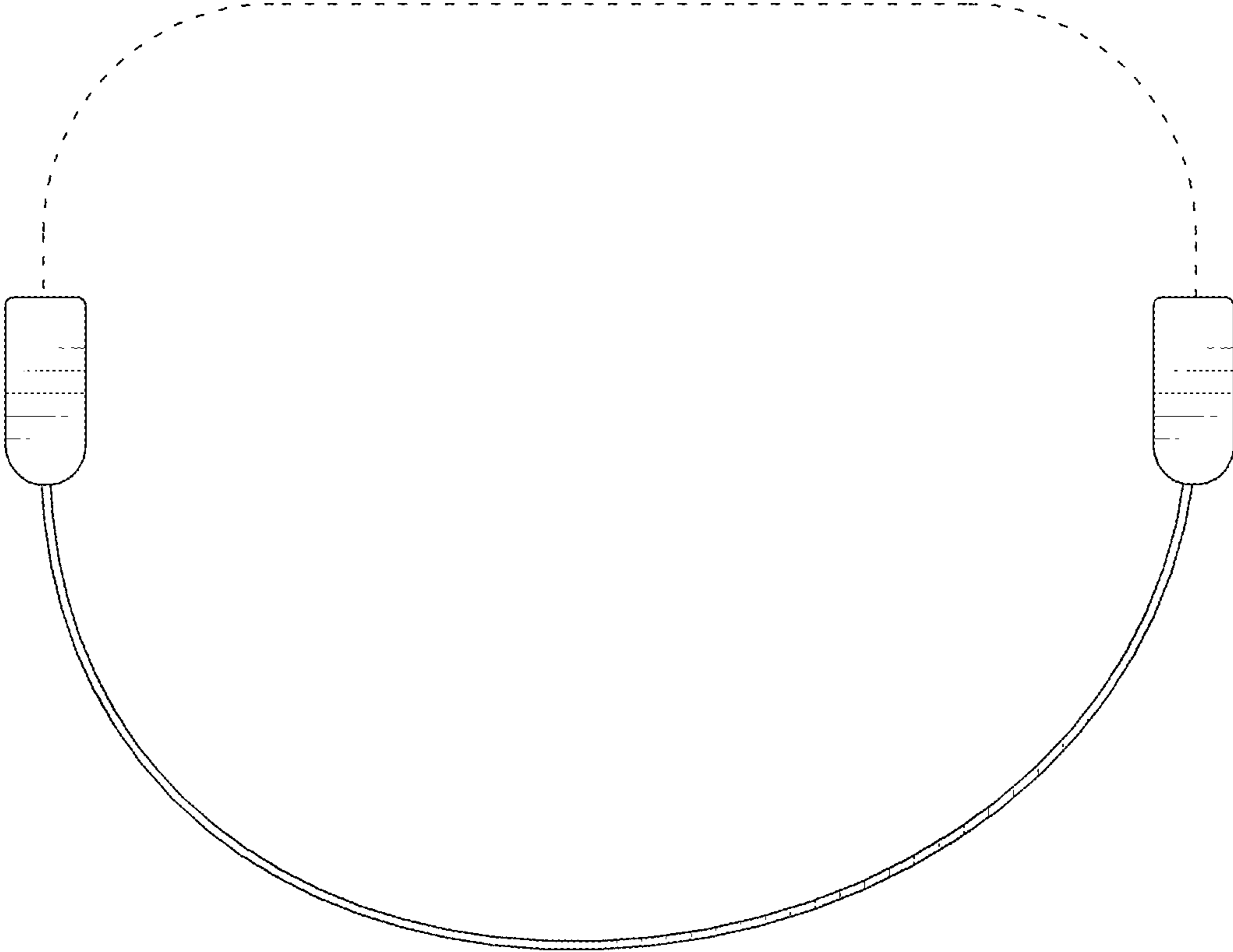


FIG. 7

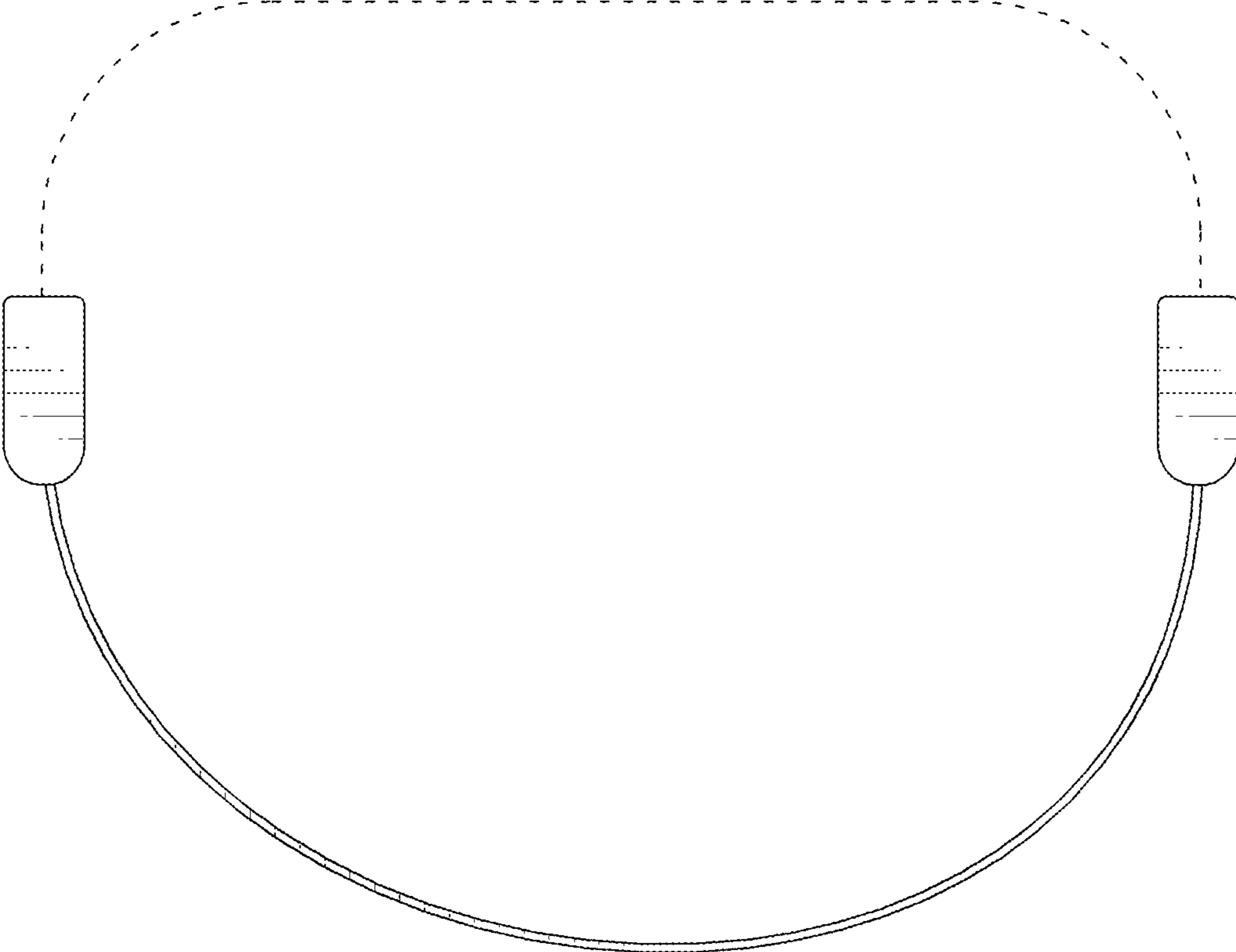


FIG. 8

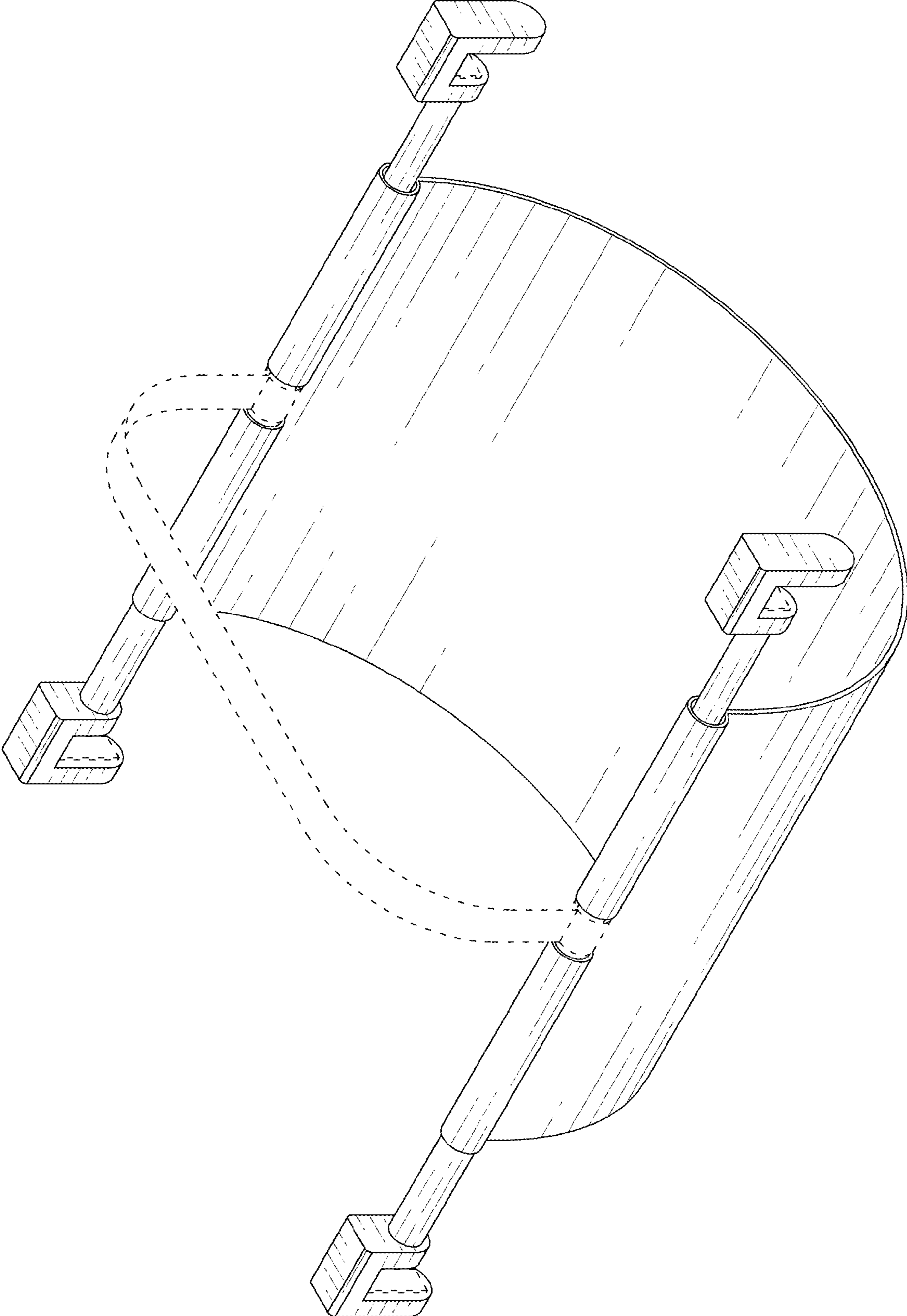


FIG. 9

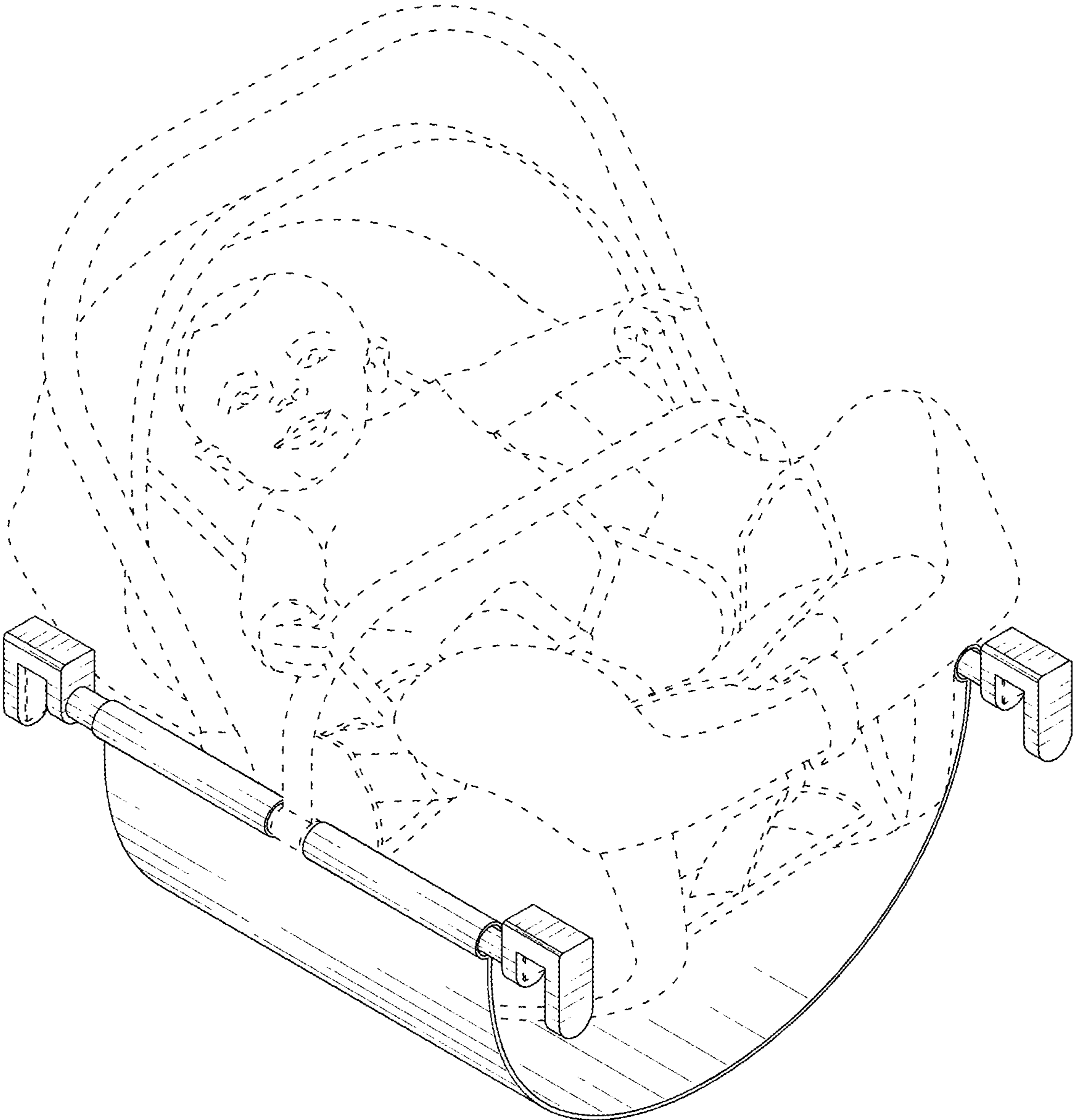


FIG. 10