



US00D904814S

(12) **United States Design Patent**
Leng

(10) **Patent No.:** **US D904,814 S**

(45) **Date of Patent:** **** Dec. 15, 2020**

(54) **TABLE BOARD**

(71) Applicant: **NEW-TEC INTEGRATION**
(XIAMEN) CO., LTD., Xiamen (CN)

(72) Inventor: **Luhao Leng**, Xiamen (CN)

(73) Assignee: **NEW-TEC INTEGRATION**
(XIAMEN) CO., LTD., Xiamen (CN)

(**) Term: **15 Years**

(21) Appl. No.: **29/681,902**

(22) Filed: **Feb. 28, 2019**

(30) **Foreign Application Priority Data**

Aug. 30, 2018 (CN) 2018 3 0486396

(51) **LOC (12) Cl.** **06-06**

(52) **U.S. Cl.**
USPC **D6/707.19**

(58) **Field of Classification Search**
USPC D6/691, 702, 704, 707, 707.15, 707.19,
D6/707.2, 707.24, 715
CPC .. A47B 1/00; A47B 3/00; A47B 3/091; A47B
3/0912; A47B 3/0913; A47B 7/00; A47B
13/00; A47B 13/02; A47B 13/08; A47B
13/083; A47B 21/00; E04C 2/365
See application file for complete search history.

(56) **References Cited**

U.S. PATENT DOCUMENTS

2,260,934 A * 10/1941 Corduan A47B 13/08
52/800.11
5,394,808 A * 3/1995 Dutro A47B 3/0912
108/126
6,371,034 B1 * 4/2002 Simpson A47B 3/0912
108/129
6,530,331 B2 * 3/2003 Stanford A47B 3/091
108/129

D479,778 S * 9/2003 Haney E04C 2/365
D6/707
D489,926 S * 5/2004 Lemmeyer A47B 13/083
D6/707.19
8,113,130 B2 * 2/2012 Leng A47B 3/0913
108/132
D781,626 S * 3/2017 Moll D6/691
10,349,738 B1 * 7/2019 Choi B29C 49/4252
2005/0274302 A1 * 12/2005 Jin A47B 3/087
108/126
2010/0112265 A1 * 5/2010 Leng E04C 2/365
428/53
2010/0175594 A1 * 7/2010 Leng A47B 3/0913
108/50.11
2019/0021484 A1 * 1/2019 Leng A47B 13/083

* cited by examiner

Primary Examiner — Mary Ann Calabrese

(74) *Attorney, Agent, or Firm* — Cooper Legal Group,
LLC

(57) **CLAIM**

The ornamental design for a table board, as shown.

DESCRIPTION

FIG. 1 is a front view of a table board showing my new design, the rear being a mirror image thereof;
FIG. 2 is a side view thereof, the opposite side being a mirror image thereof;
FIG. 3 is a top plan view thereof;
FIG. 4 is a perspective view thereof;
FIG. 5 is an enlarged detailed view showing a portion of the rounded corner taken from the encircled area 5 shown in FIG. 4;
FIG. 6 is a front view of a second embodiment of my new design, the rear being a mirror image thereof;
FIG. 7 is a left side view thereof;
FIG. 8 is a right side view thereof;
FIG. 9 is a top plan view thereof; and,
FIG. 10 is a perspective view thereof.

1 Claim, 10 Drawing Sheets

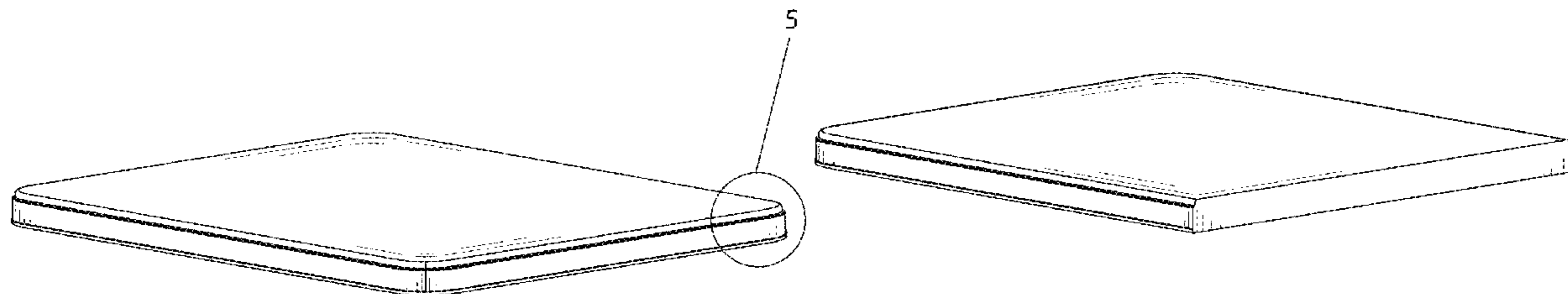




FIG. 1

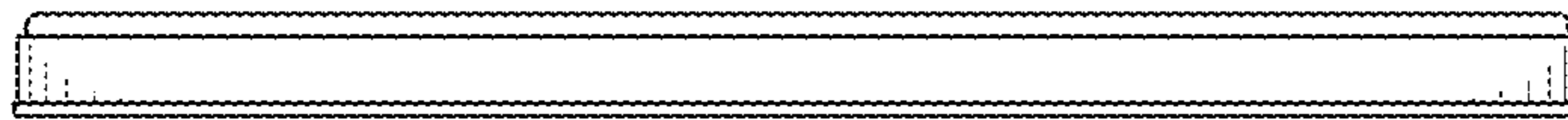


FIG. 2

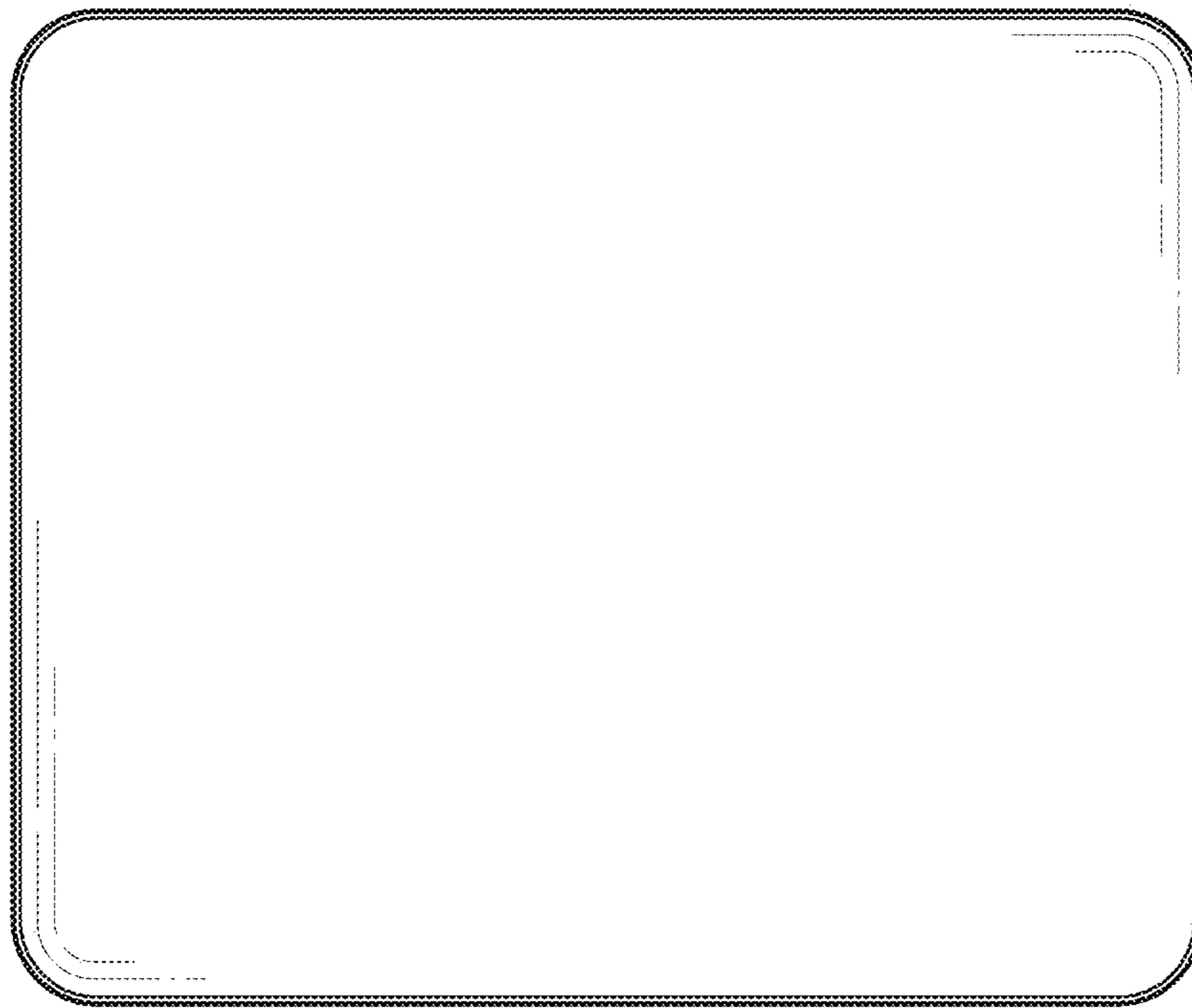


FIG. 3

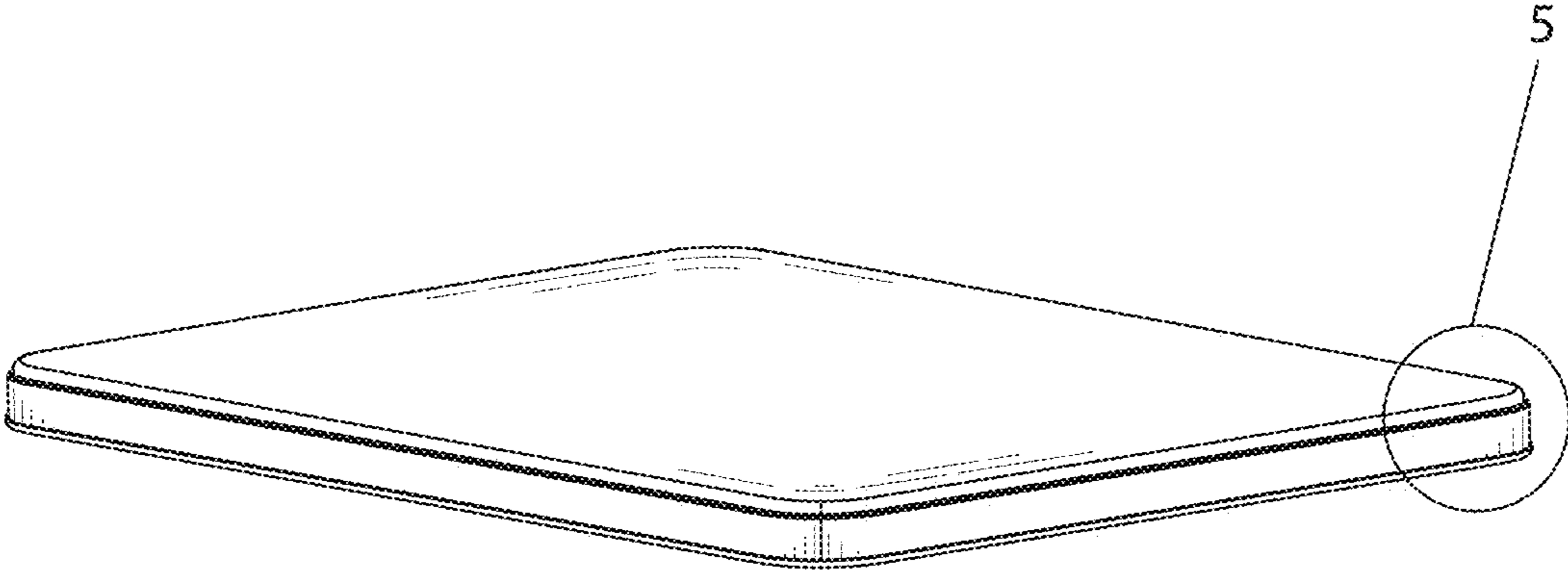


FIG. 4

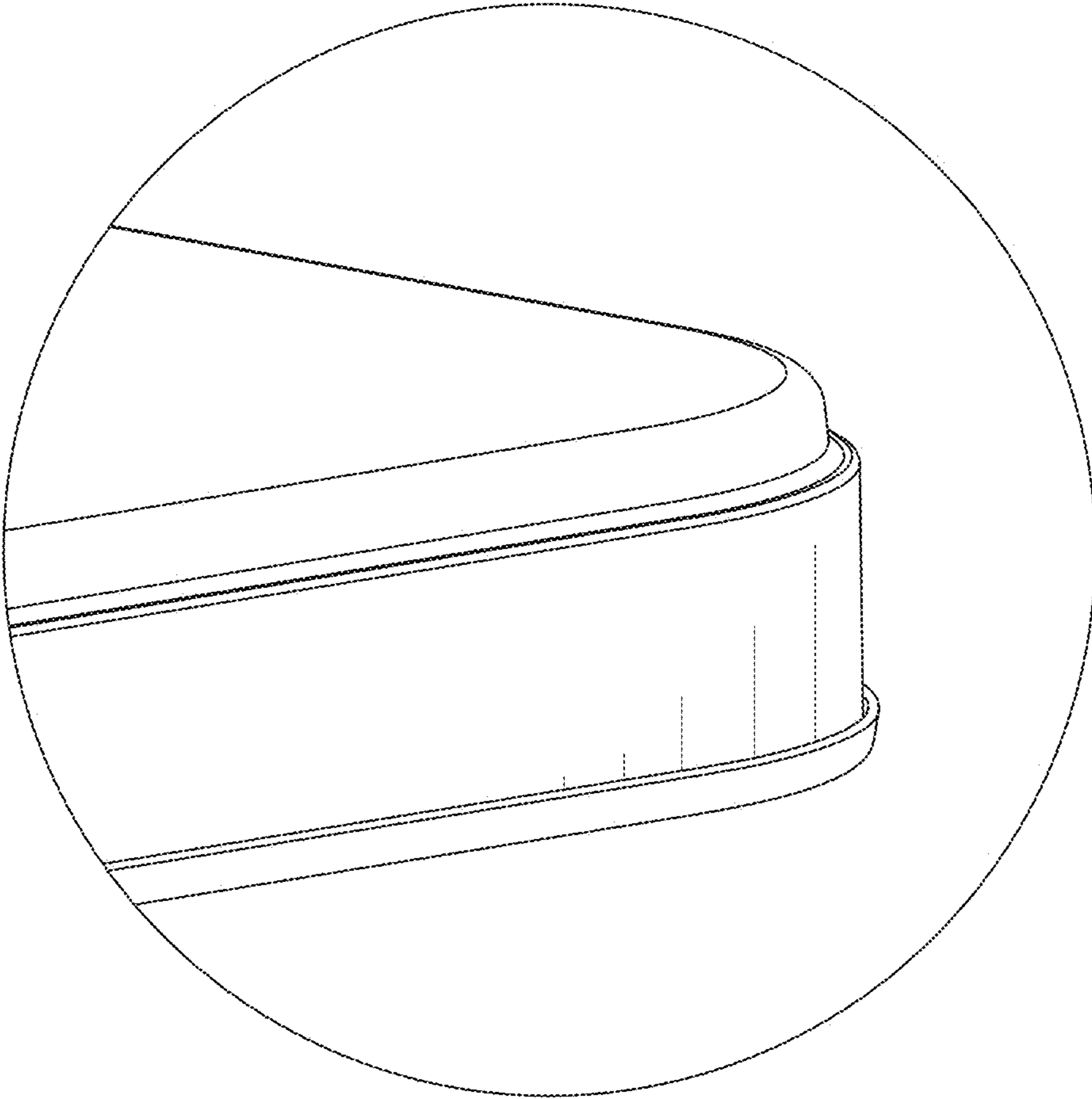


FIG. 5

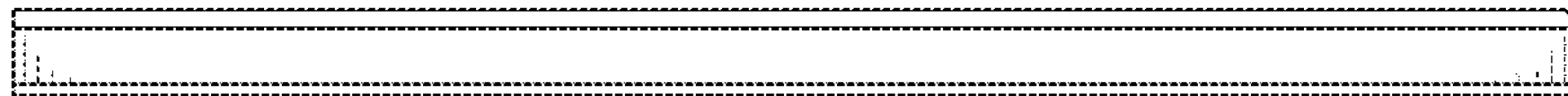


FIG. 6



FIG. 7

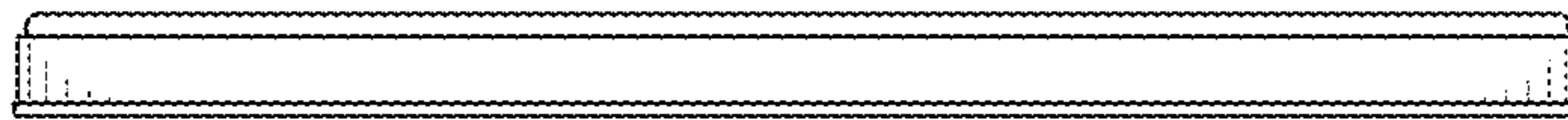


FIG. 8

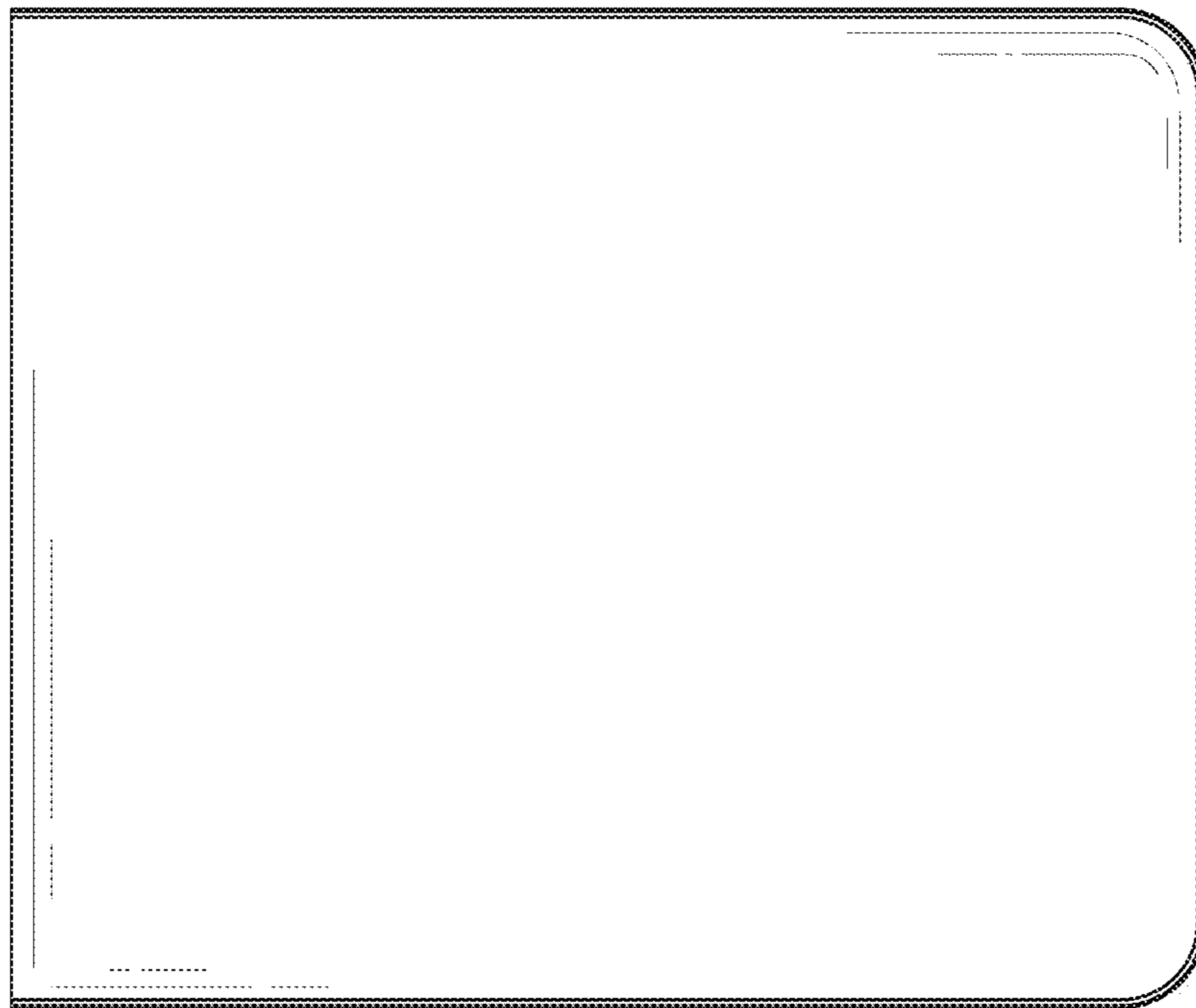


FIG. 9

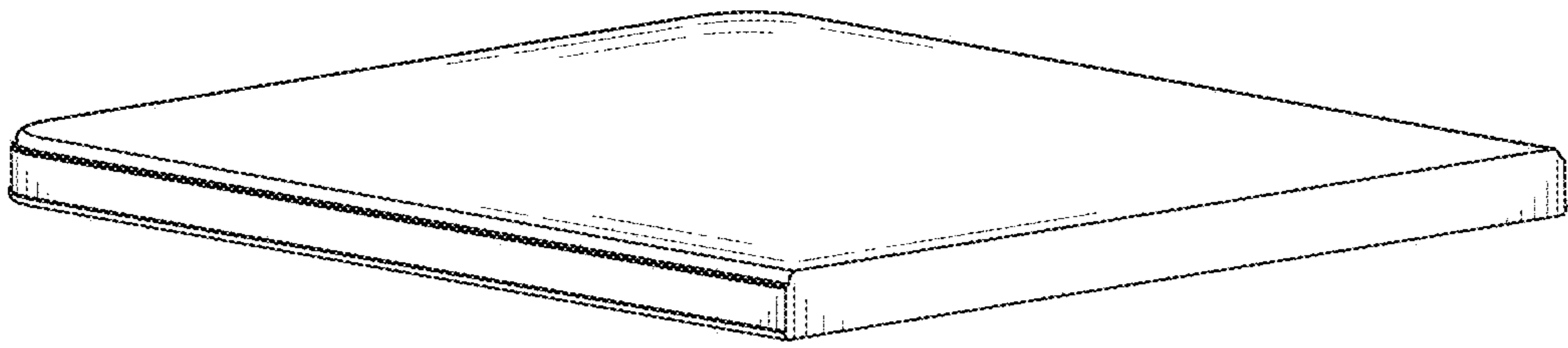


FIG. 10