



US00D904813S

(12) **United States Design Patent** (10) **Patent No.:** **US D904,813 S**
Li (45) **Date of Patent:** **** Dec. 15, 2020**

(54) **TABLE**

(71) Applicant: **39F USA INC**, Rancho Cucamonga, CA (US)

(72) Inventor: **Yuehai Li**, Rancho Cucamonga, CA (US)

(**) Term: **15 Years**

(21) Appl. No.: **29/697,417**

(22) Filed: **Jul. 8, 2019**

(51) **LOC (12) Cl.** **06-03**

(52) **U.S. Cl.**
USPC **D6/691.6**

(58) **Field of Classification Search**
USPC D6/641, 642, 653.18, 654, 654.1, 654.17, D6/654.18, 654.21, 655.18, 656, 656.13, D6/656.16, 672, 673, 675, 691.2, 691.6, D6/694
CPC .. A47B 3/00; A47B 3/08; A47B 3/083; A47B 3/087; A47B 21/00; A47B 21/02; A47B 21/03; A47B 21/06; A47B 21/0073; A47B 21/0076; A47B 21/0314
See application file for complete search history.

(56) **References Cited**

U.S. PATENT DOCUMENTS

D91,315 S *	1/1934	Brown	D6/691.6
D101,776 S *	11/1936	Hoffman	D6/691.6
D104,153 S *	4/1937	Wilson	D6/691.6
3,217,893 A *	11/1965	Fleischman	A47F 7/24 211/94.02
D220,704 S *	5/1971	Kramer	D6/691.8
D224,636 S *	8/1972	Ball	D6/691.6
D224,637 S *	8/1972	Ball	D6/641
D361,447 S *	8/1995	Moore	D6/678.4
D438,402 S *	3/2001	Walsh	D19/75
D603,627 S *	11/2009	Wen	D6/656.16
D858,147 S *	9/2019	Li	D6/655.18
D864,211 S *	10/2019	Tuang	D14/451
D885,795 S *	6/2020	Sumlin	D6/657

OTHER PUBLICATIONS

“Oldbury Desk.” Found online Sep. 29, 2020 at www.wayfair.com. Product reviewed Aug. 30, 2020. Retrieved from URL: https://www.wayfair.com/furniture/pdp/17-stories-oldbury-desk-w003515633.html (Year: 2020).*

“Table with Tubular Steel Frame.” Found online Sep. 29, 2020 at www.alamy.com. Image dated Oct. 2019. Retrieved from URL: https://www.alamy.com/table-with-tubular-steel-frame-image343871883.html (Year: 2019).*

“Bauhaus Tubular Steel Desk.” Found online Sep. 29, 2020 at www.vntg.com. Product first produced 1940s. Retrieved from URL: https://www.vntg.com/67826/bauhaus-tubular-steel-desk-table-1940s/ (Year: 1940).*

“Marcel Breuer—a Laccio Tubular Steel Side Table.” Found online Sep. 29, 2020 at www.bukowskis.com. Product designed in 1925. Retrieved from URL: https://www.bukowskis.com/en/lots/1029795-marcel-breuer-marcel-breuer-a-laccio-tubular-steel-side-table-from-knoll-studio (Year: 1925).*

* cited by examiner

Primary Examiner — Mary Ann Calabrese
Assistant Examiner — Katelin G Kloberg
(74) *Attorney, Agent, or Firm* — Feng Qian

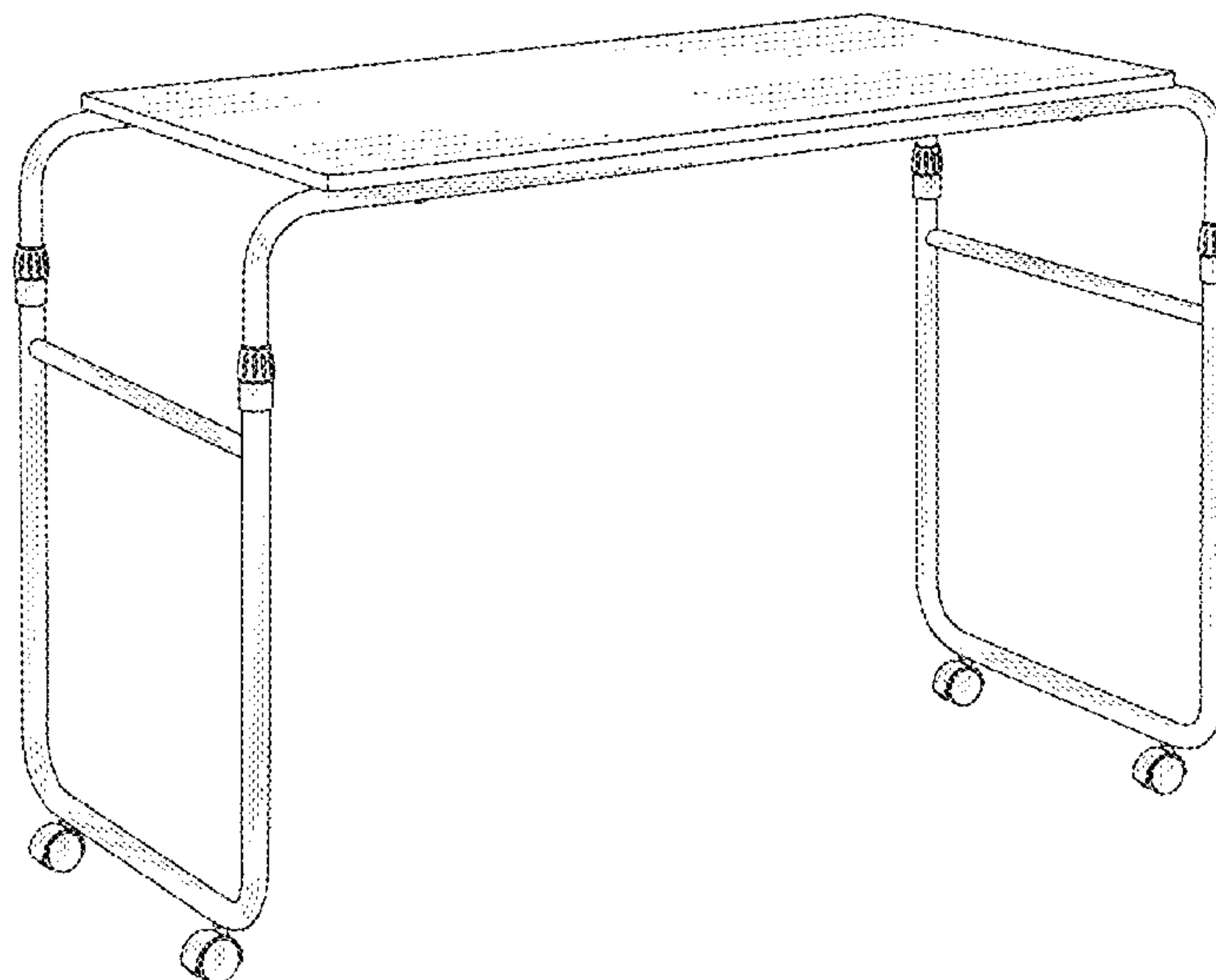
(57) **CLAIM**

The ornamental design for a table, as shown and described.

DESCRIPTION

FIG. 1 is a front perspective view of a table showing my new design;
FIG. 2 is a front elevation view thereof;
FIG. 3 is a rear elevation view thereof;
FIG. 4 is a left-side elevation view thereof;
FIG. 5 is a right-side elevation view thereof;
FIG. 6 is a top plan view thereof; and,
FIG. 7 is a rear plan view thereof.

1 Claim, 7 Drawing Sheets



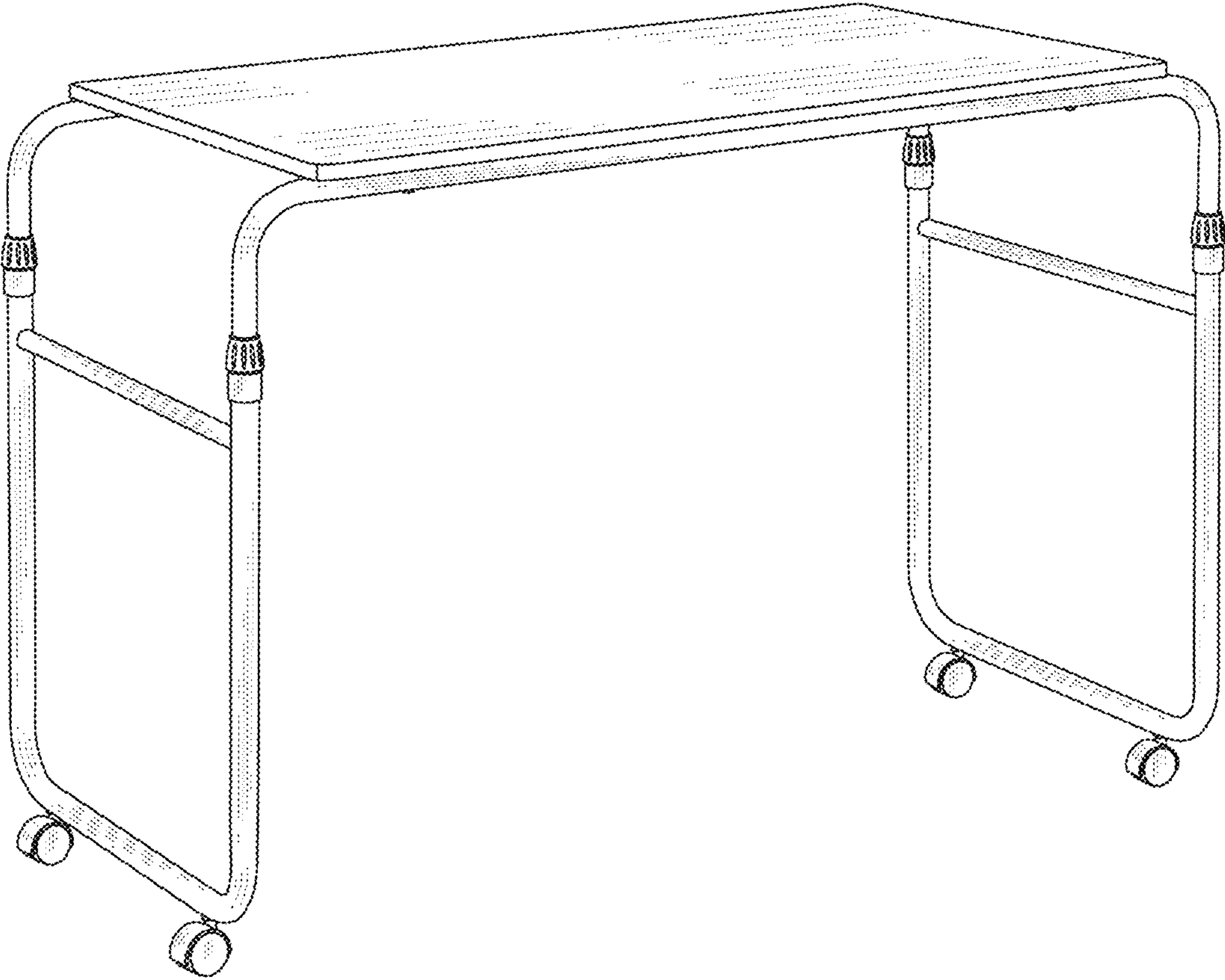


Fig.1



Fig.2

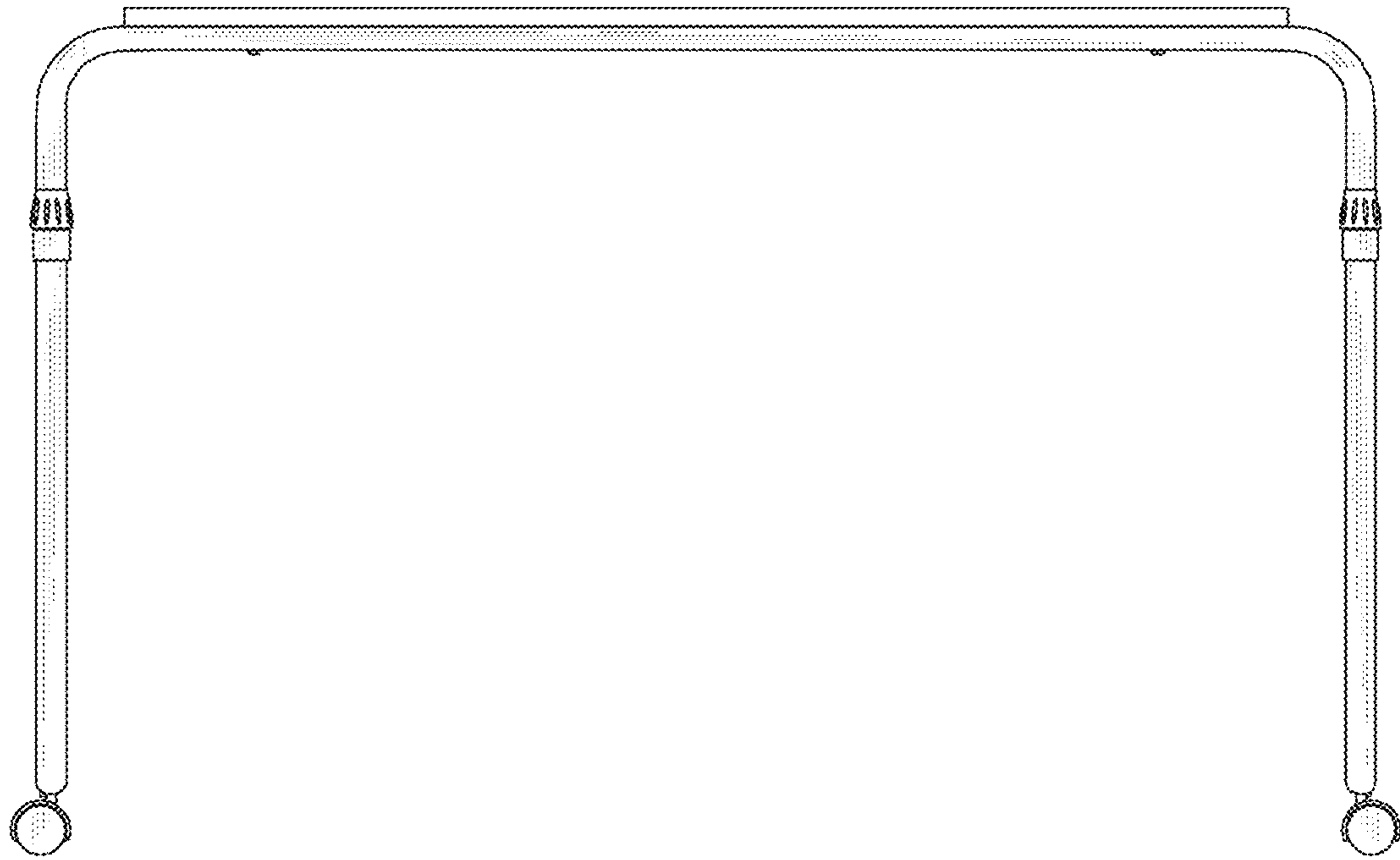


Fig.3

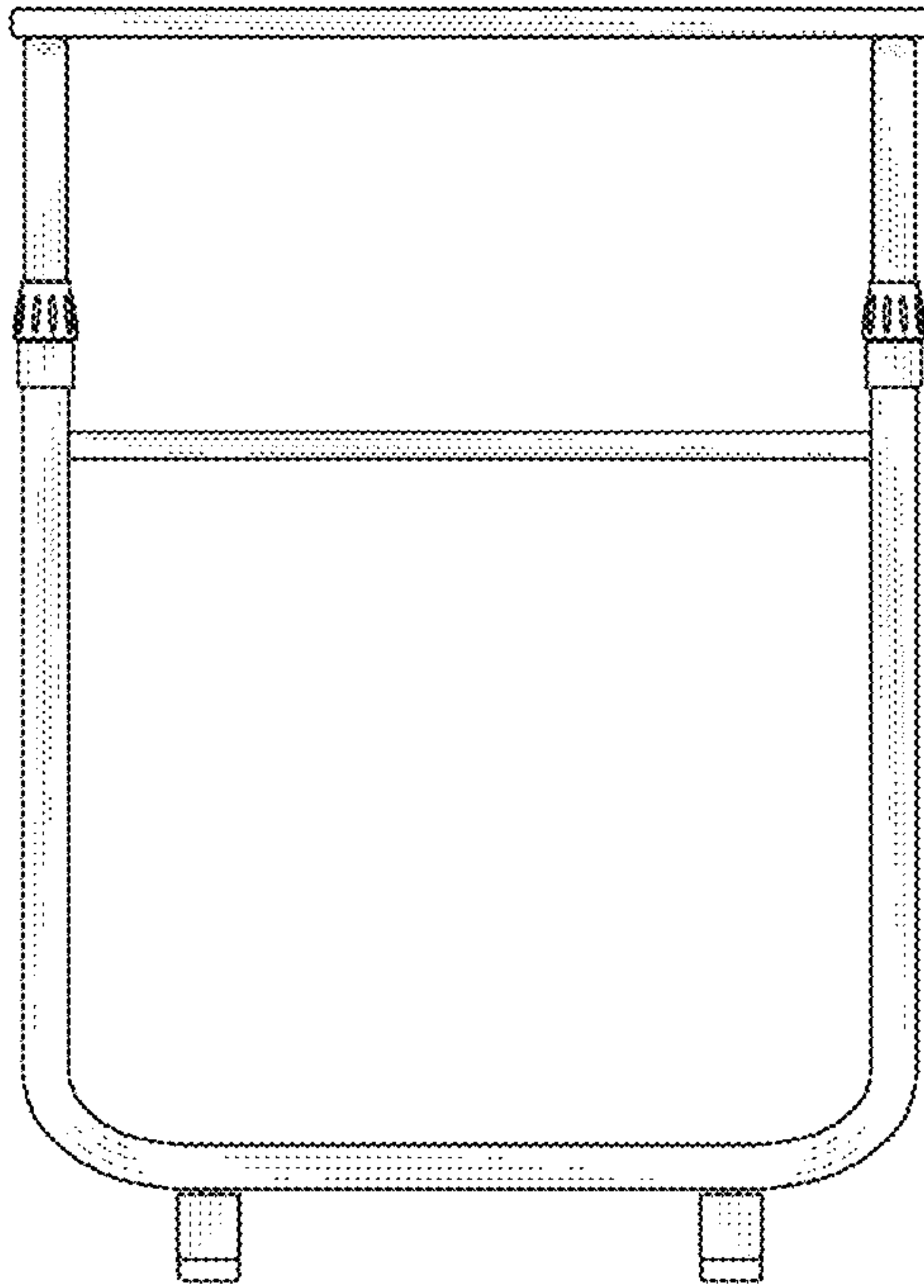


Fig.4

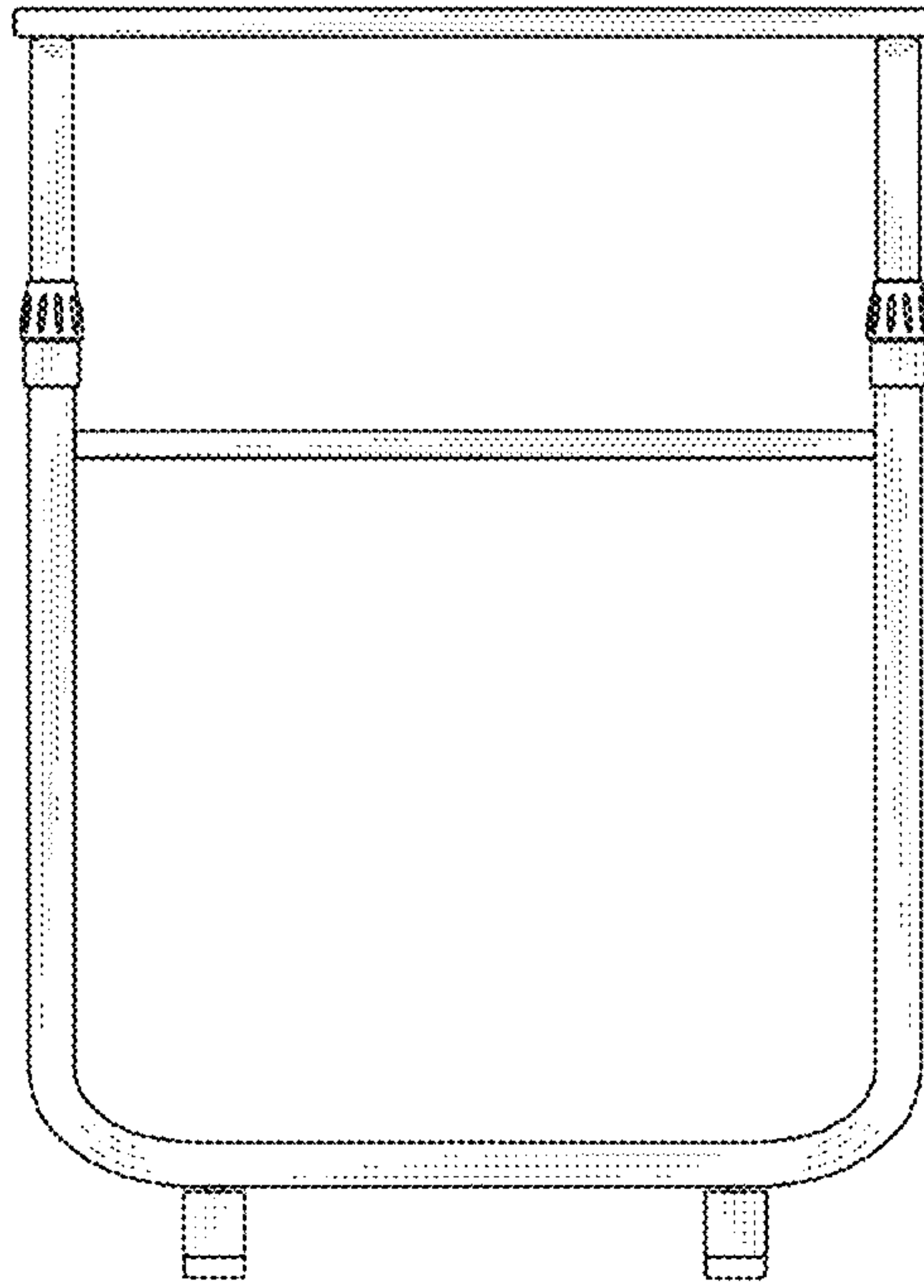


Fig.5



Fig.6

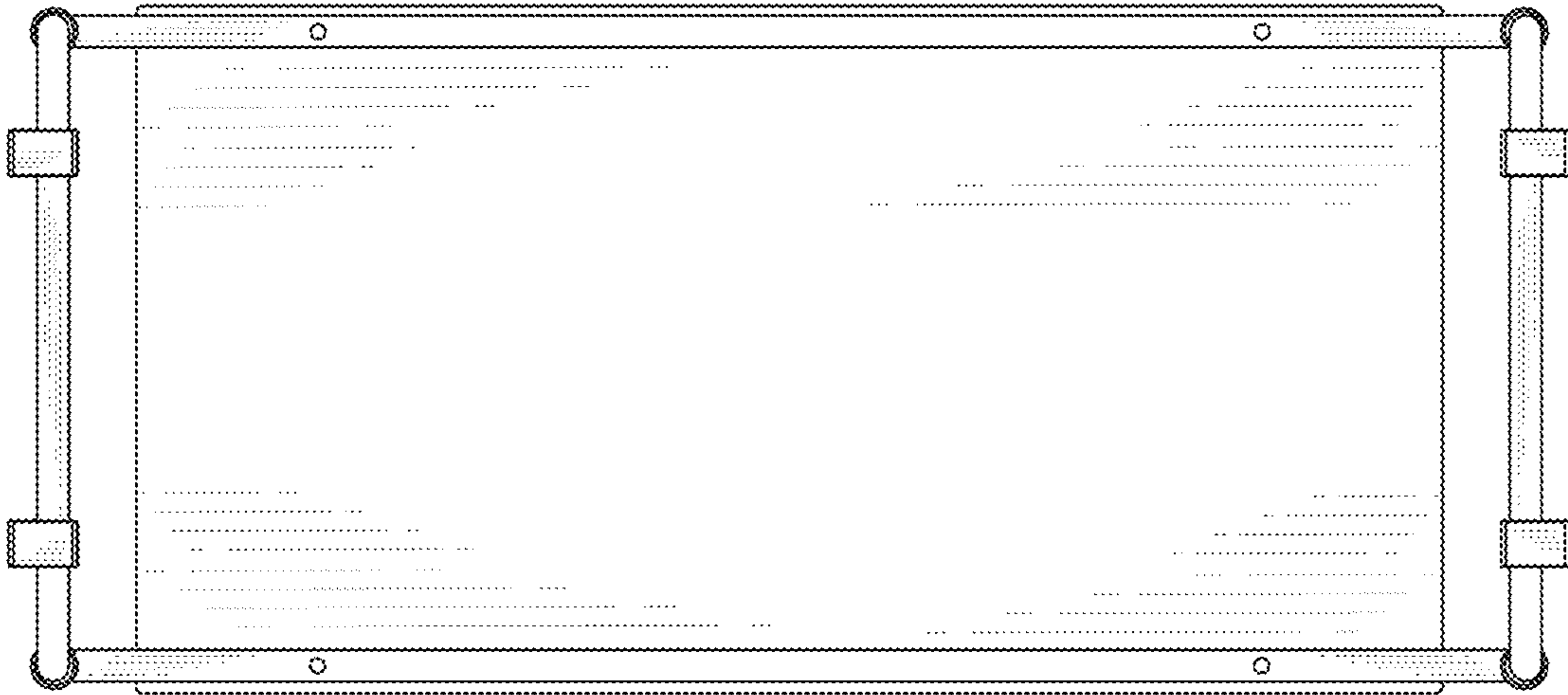


Fig.7