



US00D904810S

(12) **United States Design Patent**  
**Pemle**

(10) **Patent No.:** **US D904,810 S**

(45) **Date of Patent:** **\*\* \*Dec. 15, 2020**

(54) **HARDWARELESS SHELVING UNIT**

(71) Applicant: **Aaron Pemle**, Encino, CA (US)

(72) Inventor: **Aaron Pemle**, Encino, CA (US)

(\*) Notice: This patent is subject to a terminal disclaimer.

(\*\*) Term: **15 Years**

(21) Appl. No.: **29/701,696**

(22) Filed: **Aug. 13, 2019**

**Related U.S. Application Data**

(63) Continuation-in-part of application No. 29/647,543, filed on May 14, 2018, now Pat. No. Des. 861,398.

(51) **LOC (12) Cl.** ..... **06-06**

(52) **U.S. Cl.**  
USPC ..... **D6/678.1**

(58) **Field of Classification Search**  
USPC ..... D6/675, 675.1, 678, 678.1, 705, 705.1  
CPC ..... A47B 47/00; A47B 47/04; A47B 63/00;  
B25H 3/00; B25H 3/04; A47F 1/00;  
A47F 7/00

See application file for complete search history.

(56) **References Cited**

**U.S. PATENT DOCUMENTS**

- 2,366,677 A \* 1/1945 Rosenthal ..... A47B 47/042  
108/60
- 3,113,356 A \* 12/1963 Piper ..... E06B 7/082  
52/473
- D247,273 S \* 2/1978 Peters ..... D6/571
- D334,977 S \* 4/1993 Avari ..... D23/387
- D358,725 S \* 5/1995 Stender ..... D6/407
- 5,855,175 A \* 1/1999 Forbes ..... A47B 47/042  
100/42
- D450,518 S \* 11/2001 Frederick ..... D6/630

- 7,337,729 B2 \* 3/2008 Briosi ..... A47B 57/54  
108/107
- D586,153 S \* 2/2009 Maly ..... D6/683.1
- D607,667 S \* 1/2010 Cayouette ..... D6/675.1
- D632,102 S \* 2/2011 Sato ..... D6/675.1
- D665,198 S \* 8/2012 Levy ..... D6/675.1
- D677,943 S \* 3/2013 Mendoza ..... D6/675.1
- D705,583 S \* 5/2014 Meissner ..... D6/675.1
- D716,081 S \* 10/2014 Dixon ..... D6/678.1
- D716,082 S \* 10/2014 Dixon ..... D6/678.1
- D718,958 S \* 12/2014 Boorazanes ..... D6/675
- D722,459 S \* 2/2015 Schluetter ..... D6/675.3
- D741,629 S \* 10/2015 Meissner ..... D6/675.1
- D744,773 S \* 12/2015 Yoon ..... D6/678
- D748,416 S \* 2/2016 Meissner ..... D6/675.1
- D753,423 S \* 4/2016 Love ..... D6/678.2
- D776,466 S \* 1/2017 Bonuccelli ..... D6/675.1
- D798,087 S \* 9/2017 Donnelly ..... D6/678.1
- D803,590 S \* 11/2017 Lewin ..... D6/349
- D830,090 S \* 10/2018 Etelaaho ..... D6/681.2
- D851,430 S \* 6/2019 Przepierski ..... D6/678.1

(Continued)

*Primary Examiner* — Kelley A Donnelly

(74) *Attorney, Agent, or Firm* — Mark Terry

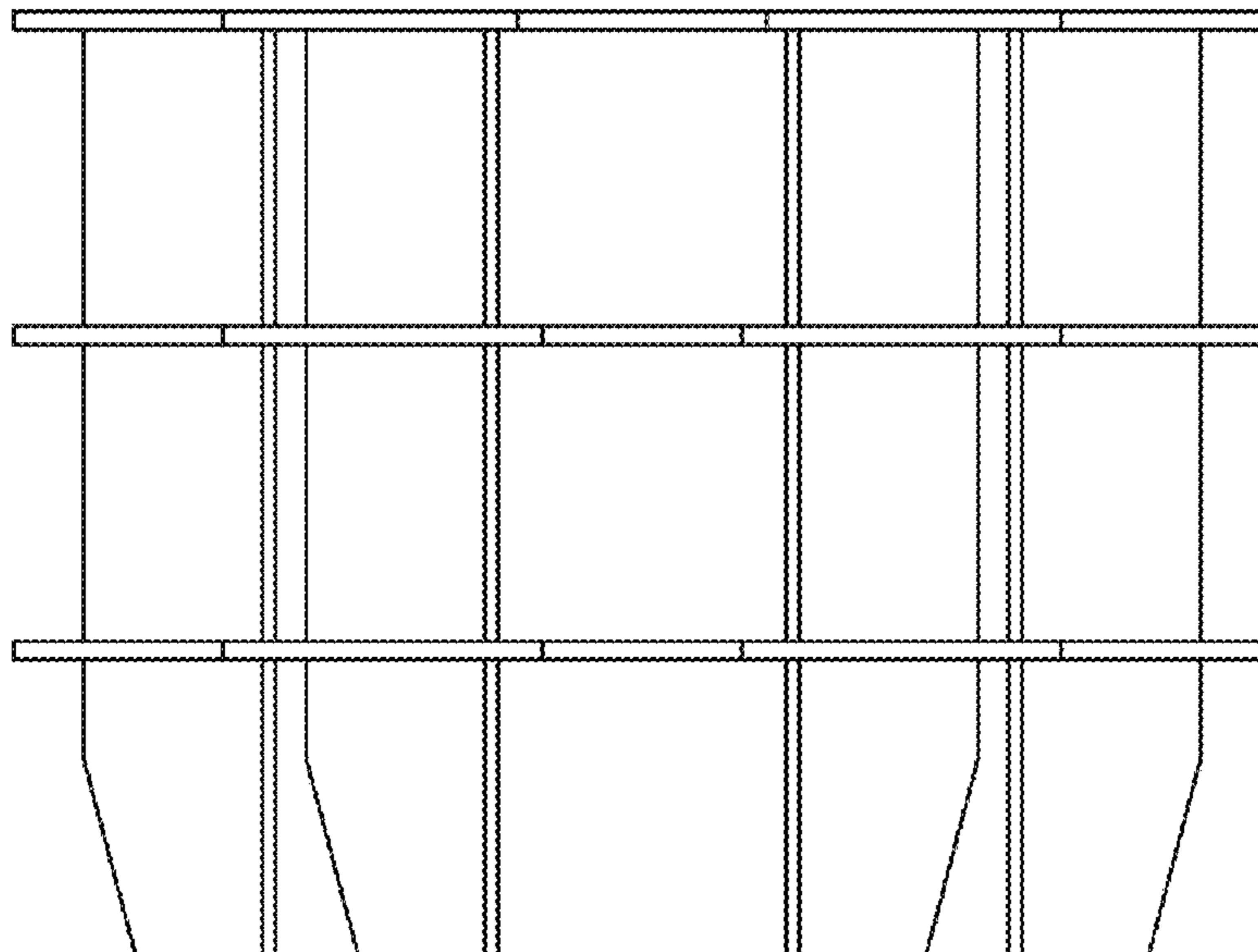
(57) **CLAIM**

The ornamental design for a hardwareless shelving unit, as shown and described.

**DESCRIPTION**

FIG. 1 is a front view of a hardwareless shelving unit, showing the new design;  
 FIG. 2 is a rear view thereof;  
 FIG. 3 is a top view thereof;  
 FIG. 4 is a bottom view thereof;  
 FIG. 5 is side view thereof;  
 FIG. 6 is a top perspective view thereof;  
 FIG. 7 is a rear perspective view thereof;  
 FIG. 8 is a bottom perspective view thereof;  
 FIG. 9 is front perspective exploded view thereof; and,  
 FIG. 10 is a rear perspective exploded view thereof.

**1 Claim, 4 Drawing Sheets**



(56)

**References Cited**

U.S. PATENT DOCUMENTS

2001/0037987 A1\* 11/2001 Culp ..... A47B 47/042  
211/186  
2002/0178979 A1\* 12/2002 Tidemann ..... A47B 47/042  
108/186  
2006/0243177 A1\* 11/2006 Jones ..... A47B 63/00  
108/180

\* cited by examiner

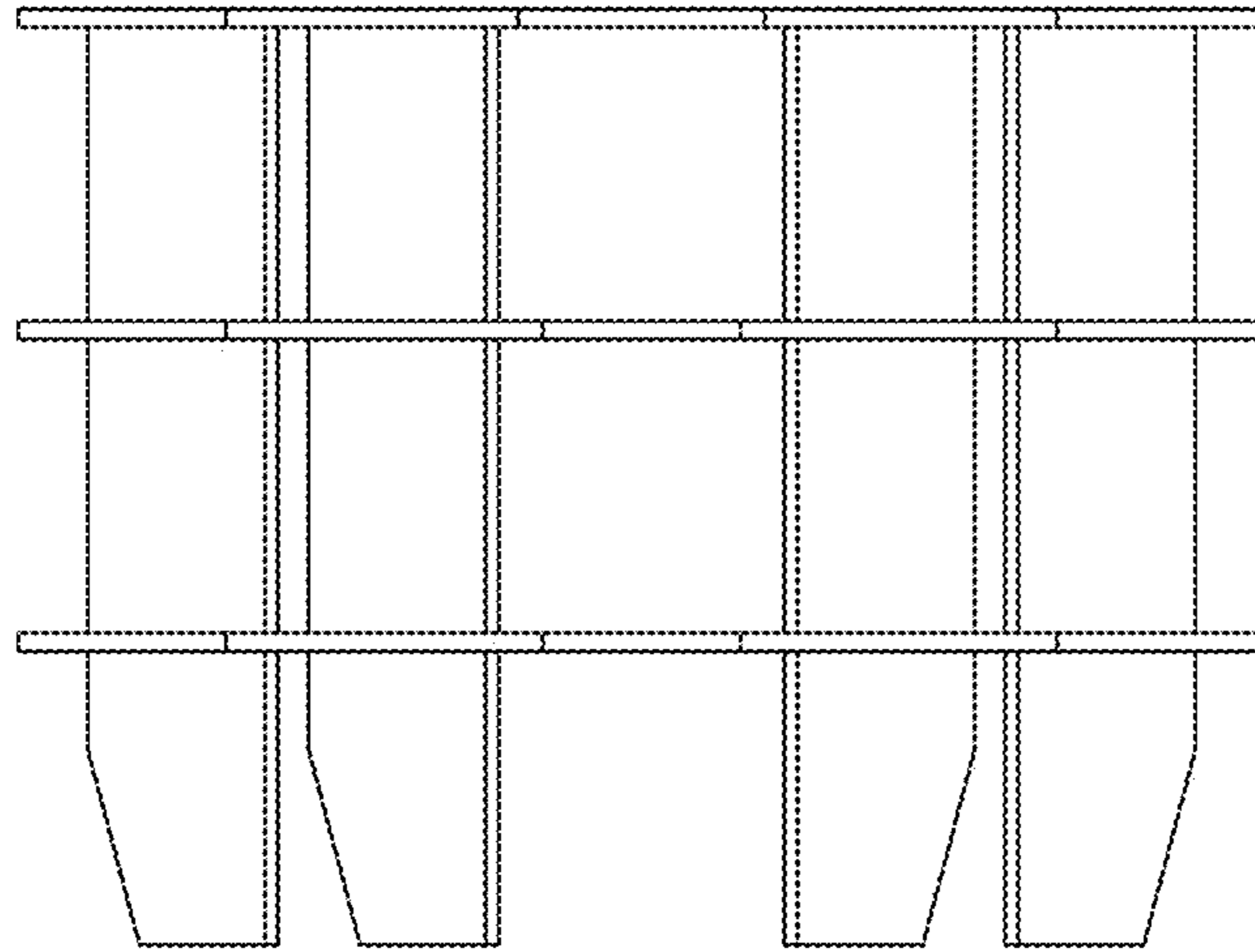


Fig. 1

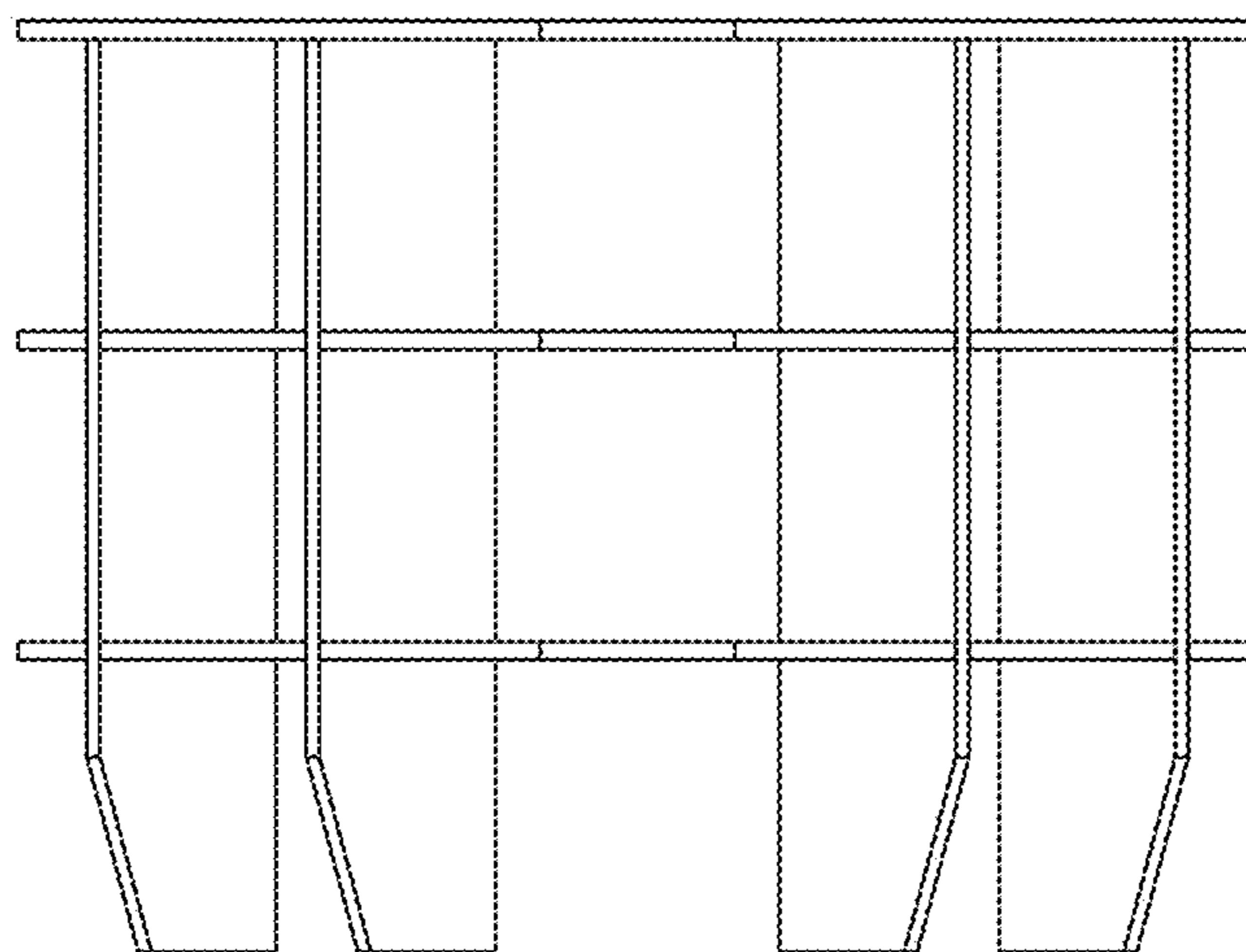


Fig. 2

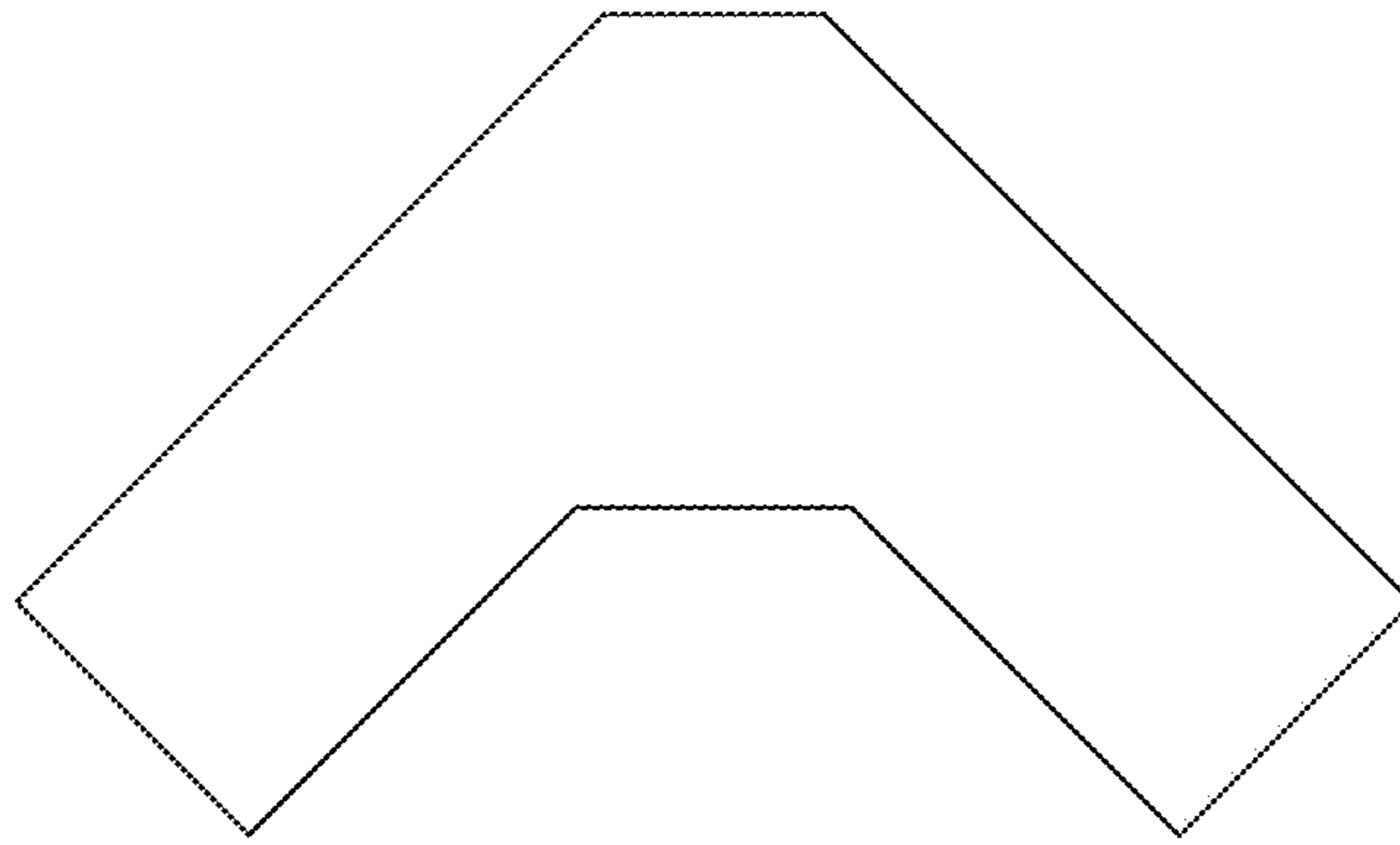


Fig. 3

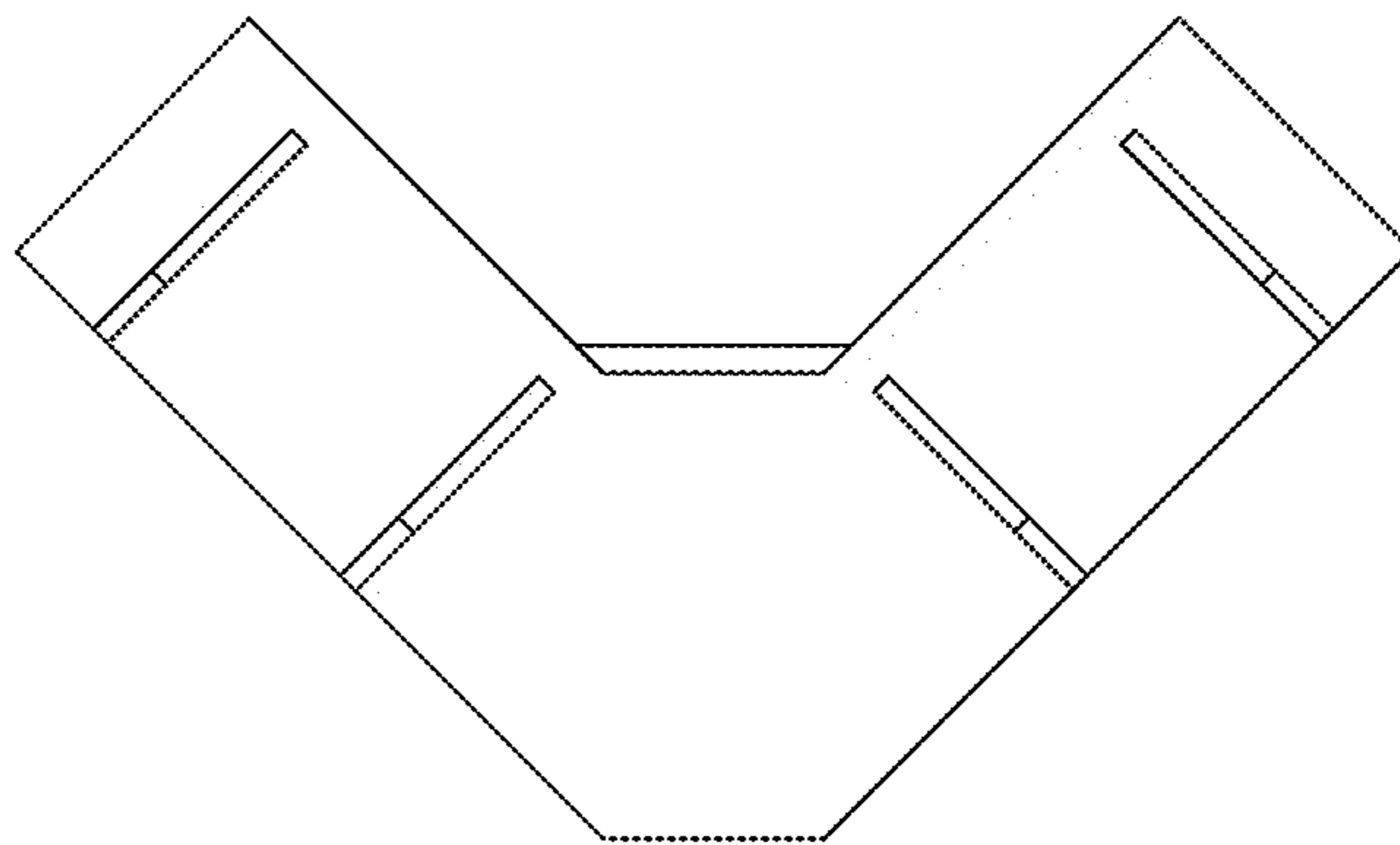


Fig. 4

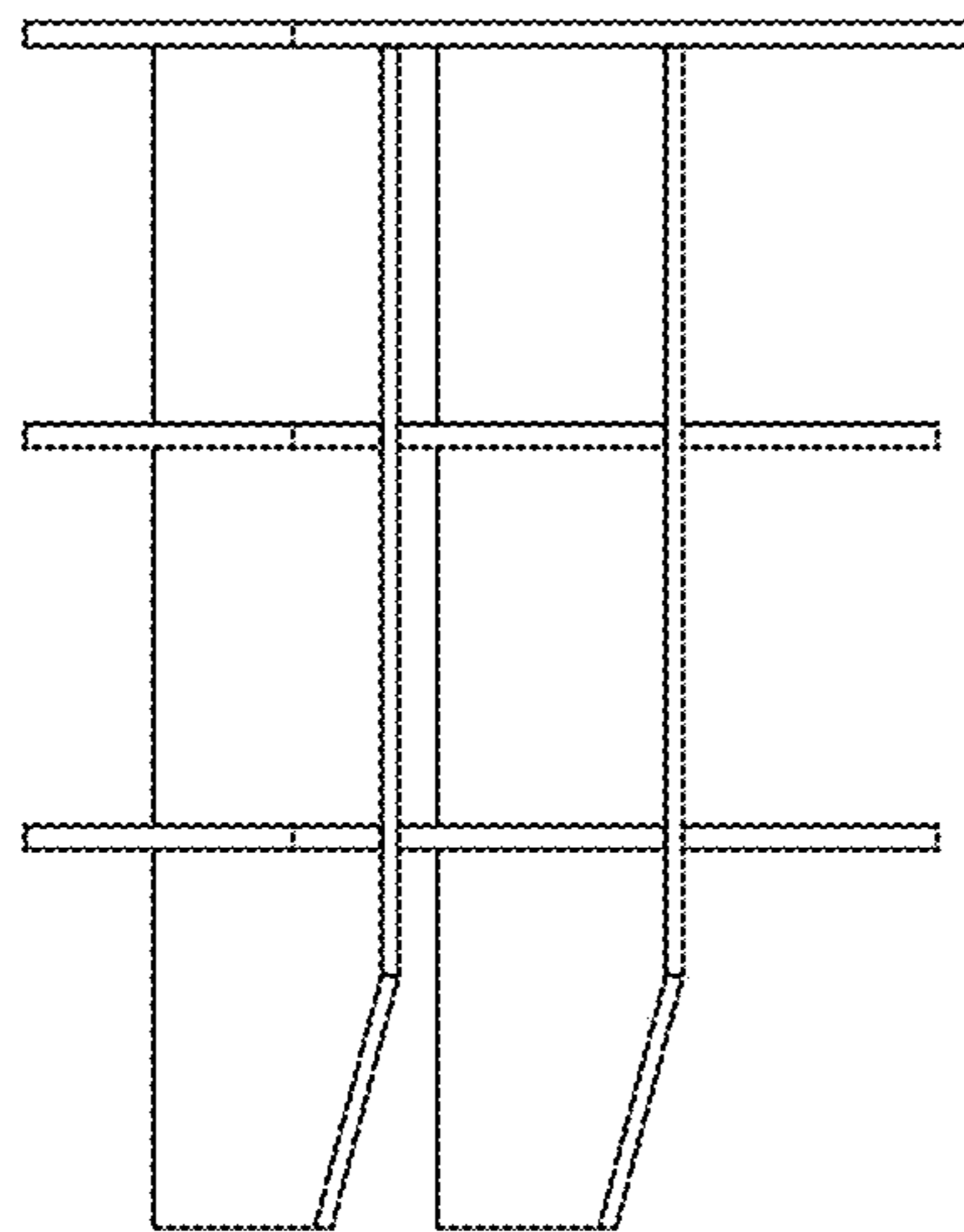


Fig. 5

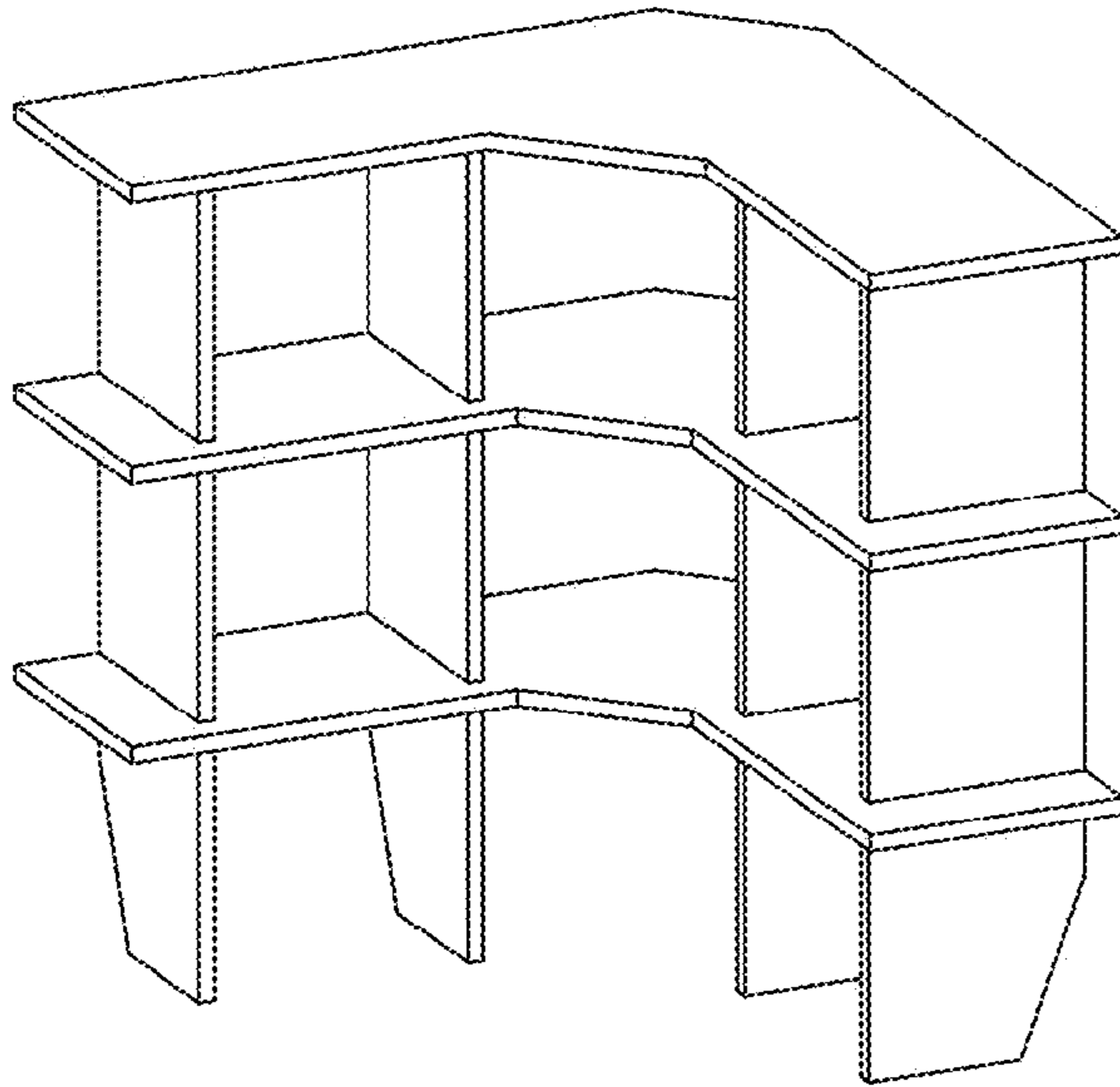


Fig. 6

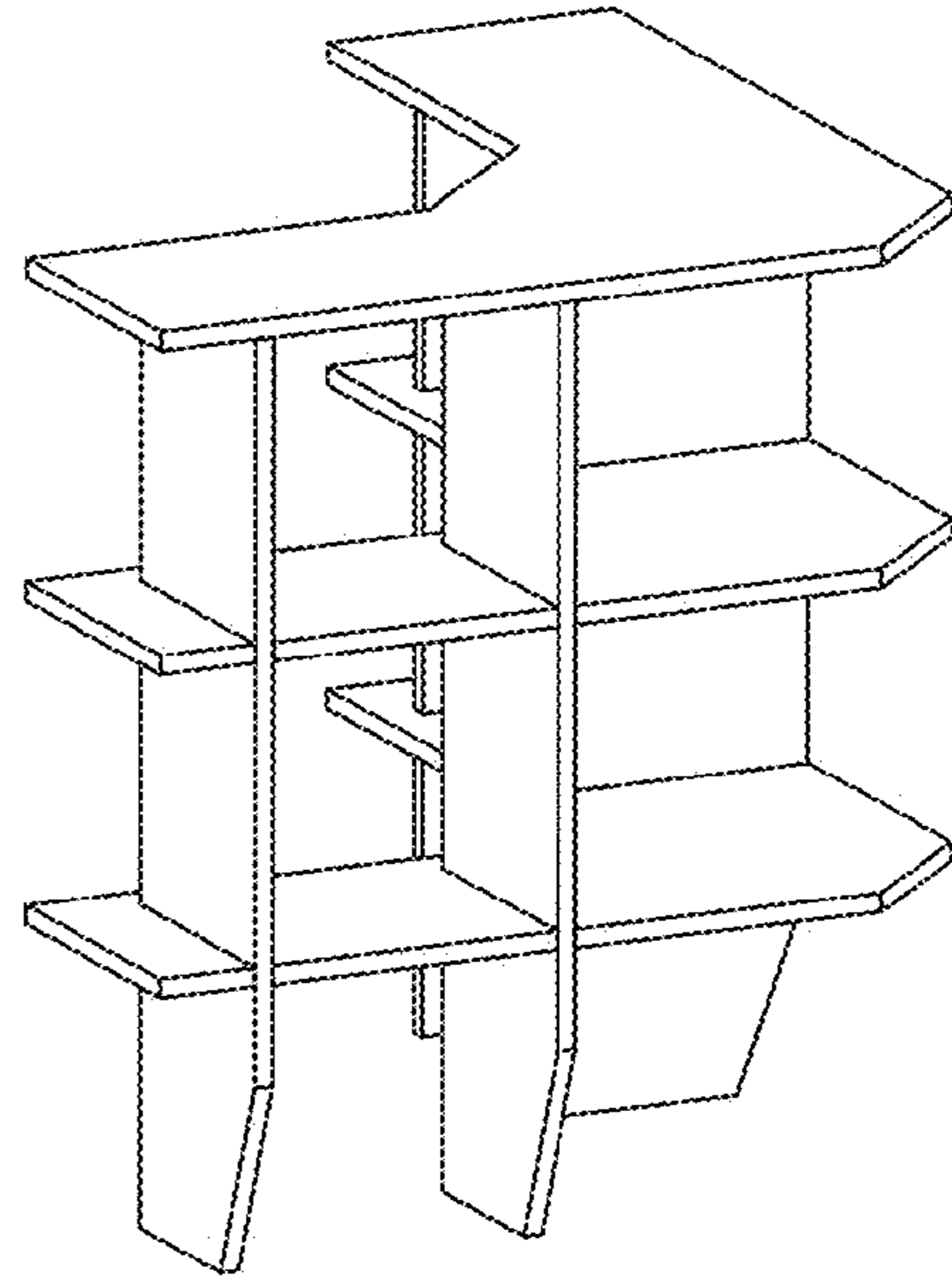


Fig. 7

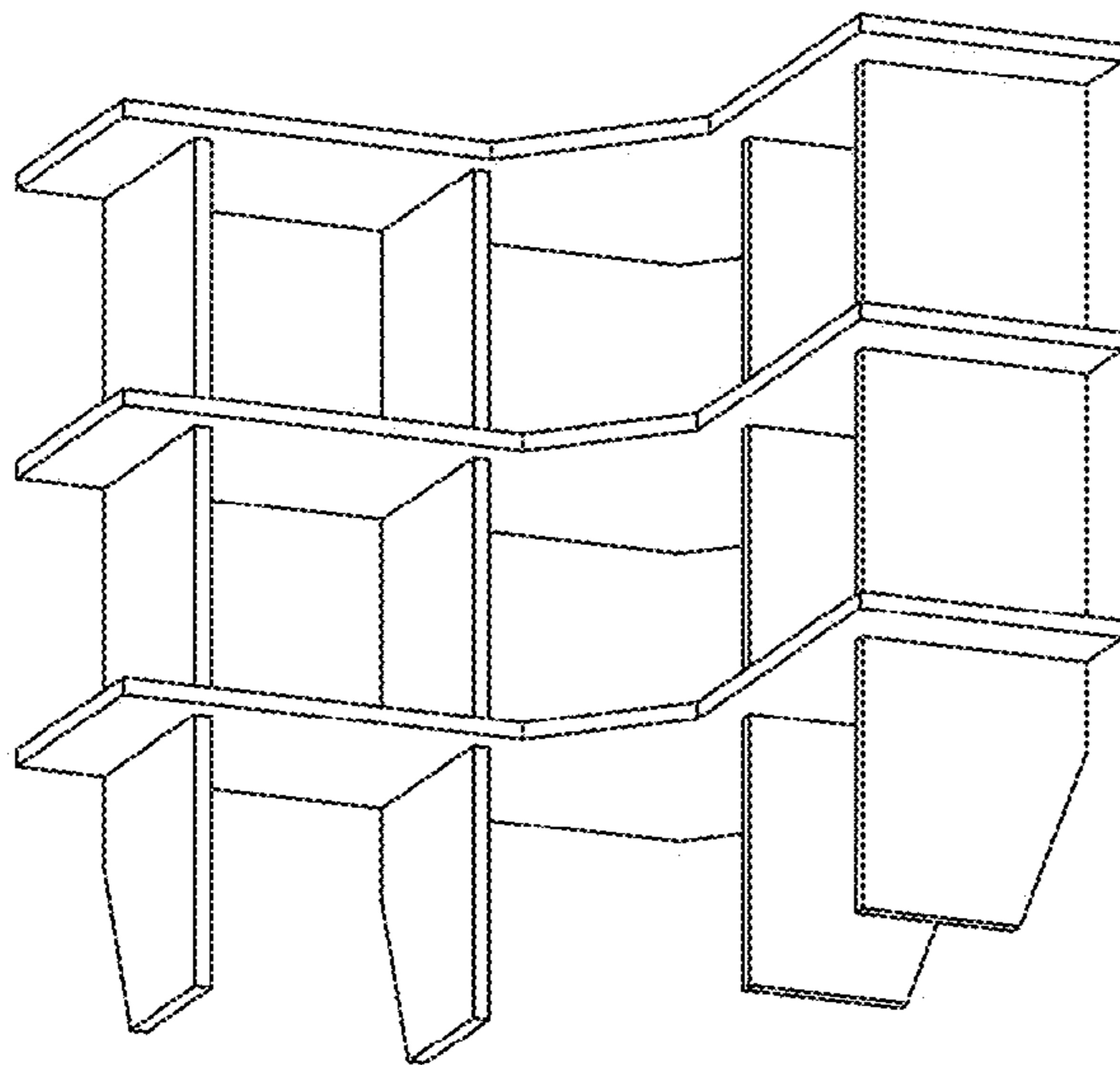


Fig. 8

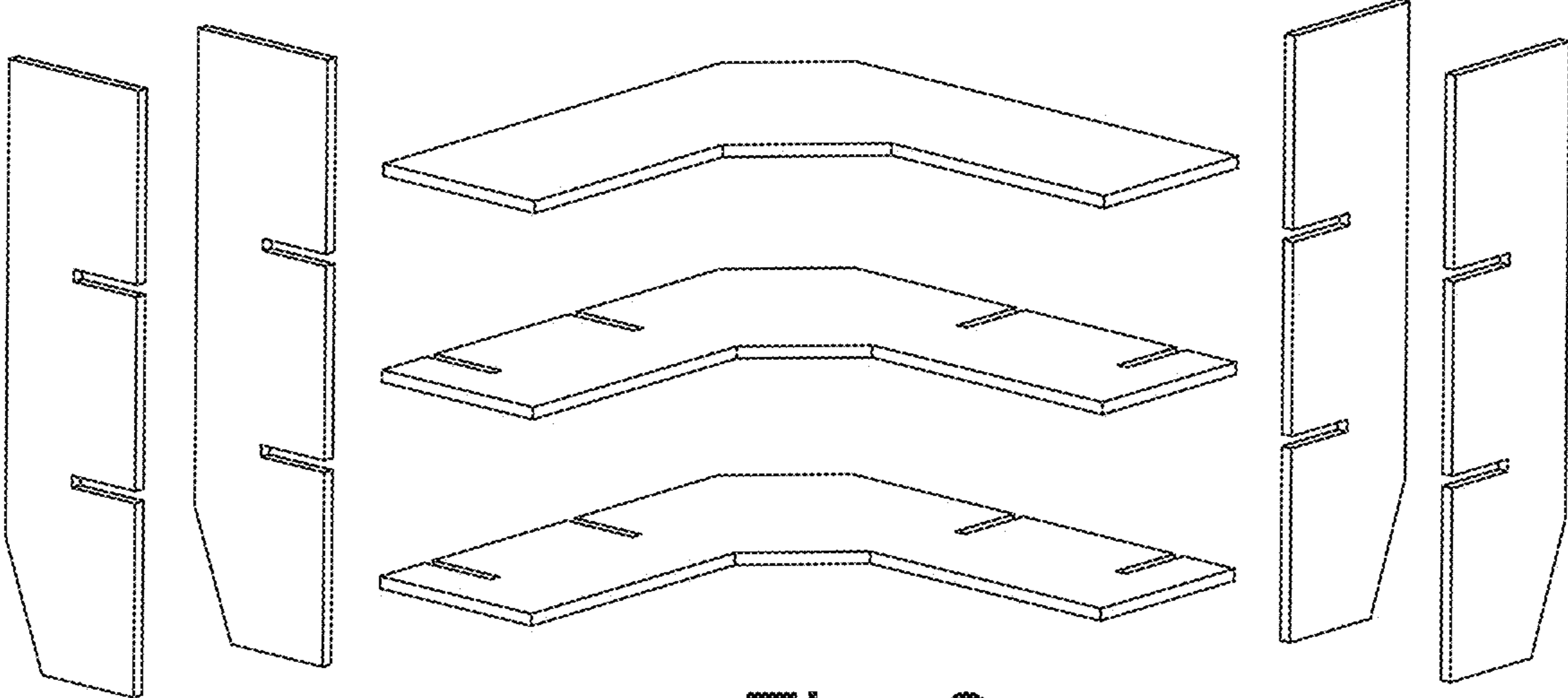


Fig. 9

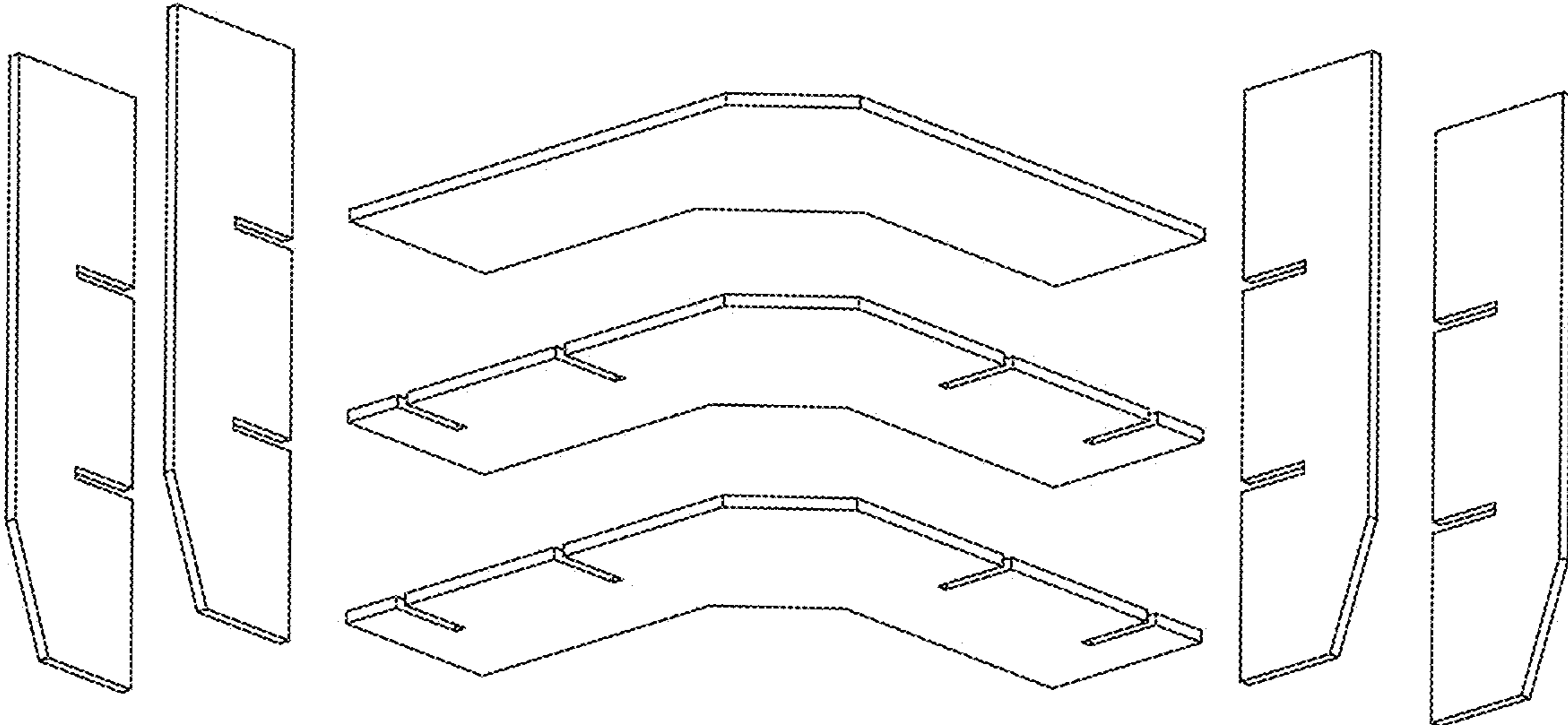


Fig. 10