



US00D904809S

(12) **United States Design Patent** (10) **Patent No.:** **US D904,809 S**  
**Li** (45) **Date of Patent:** **\*\* Dec. 15, 2020**

(54) **SHELF**  
(71) Applicant: **39F USA INC**, Rancho Cucamonga, CA (US)  
(72) Inventor: **Yuehai Li**, Rancho Cucamonga, CA (US)  
(\*\*) Term: **15 Years**  
(21) Appl. No.: **29/697,407**

D388,267 S \* 12/1997 Newkirk ..... D6/678.1  
D414,961 S \* 10/1999 Patel ..... D6/662.1  
D417,572 S \* 12/1999 Schacht ..... D6/574  
D430,964 S \* 9/2000 Liaw ..... D34/21  
D507,433 S \* 7/2005 Portnoy ..... D6/675.1  
D508,800 S \* 8/2005 Sexton ..... D6/677.1  
D560,933 S \* 2/2008 Sexton ..... D6/675.1  
D562,593 S \* 2/2008 Zambelli ..... D6/677.3  
D588,379 S \* 3/2009 Chung ..... D6/675.1  
D650,202 S \* 12/2011 Klein ..... D6/677.1  
D650,203 S \* 12/2011 Klein ..... D6/677.1  
D735,412 S \* 7/2015 Coleman ..... D28/61

\* cited by examiner

(22) Filed: **Jul. 8, 2019**  
(51) **LOC (12) Cl.** ..... **06-06**  
(52) **U.S. Cl.**  
USPC ..... **D6/677.1**  
(58) **Field of Classification Search**  
USPC ..... D6/672-673, 677, 677.1, 702, 705;  
D7/601-602  
CPC .... A47F 5/0018; A47F 5/0043; A47F 5/0056;  
A47F 5/0062; A47F 2005/0075; A47B  
55/00; A47B 96/00; A47B 96/02; A47B  
96/06  
See application file for complete search history.

*Primary Examiner* — Kelley A Donnelly  
(74) *Attorney, Agent, or Firm* — Feng Qian

(57) **CLAIM**

The ornamental design for a shelf, as shown and described.

**DESCRIPTION**

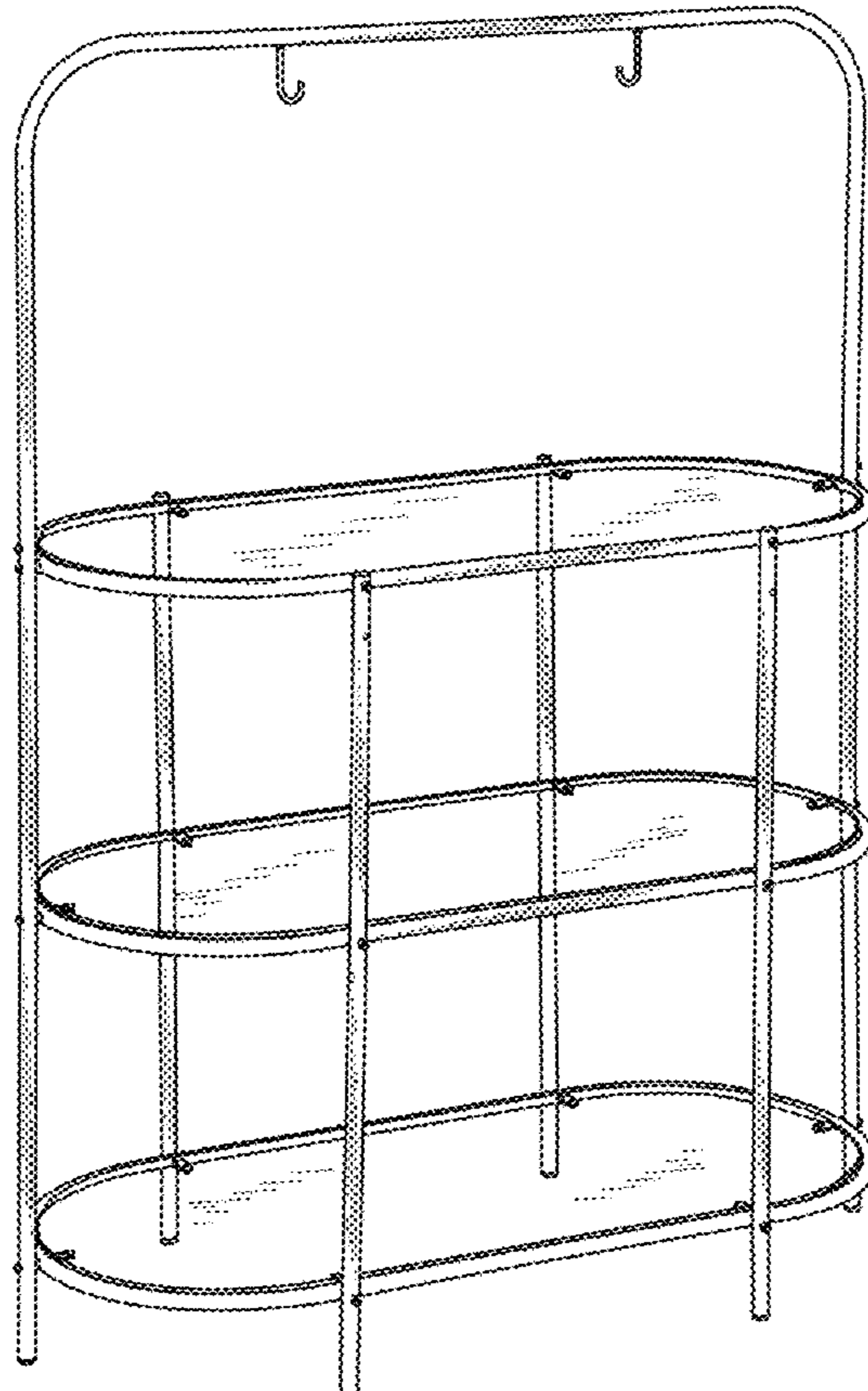
FIG. 1 is a front perspective view of a shelf showing my new design;  
FIG. 2 is a front elevation view thereof;  
FIG. 3 is a rear elevation view thereof;  
FIG. 4 is a left-side elevation view thereof;  
FIG. 5 is a right-side elevation view thereof;  
FIG. 6 is a top plan view thereof; and,  
FIG. 7 is a rear plan view thereof.

(56) **References Cited**

U.S. PATENT DOCUMENTS

D51,055 S \* 7/1917 Board ..... D6/677.1  
D236,054 S \* 7/1975 Ginat ..... D6/677.1  
D339,485 S \* 9/1993 James ..... D6/676.1

**1 Claim, 7 Drawing Sheets**



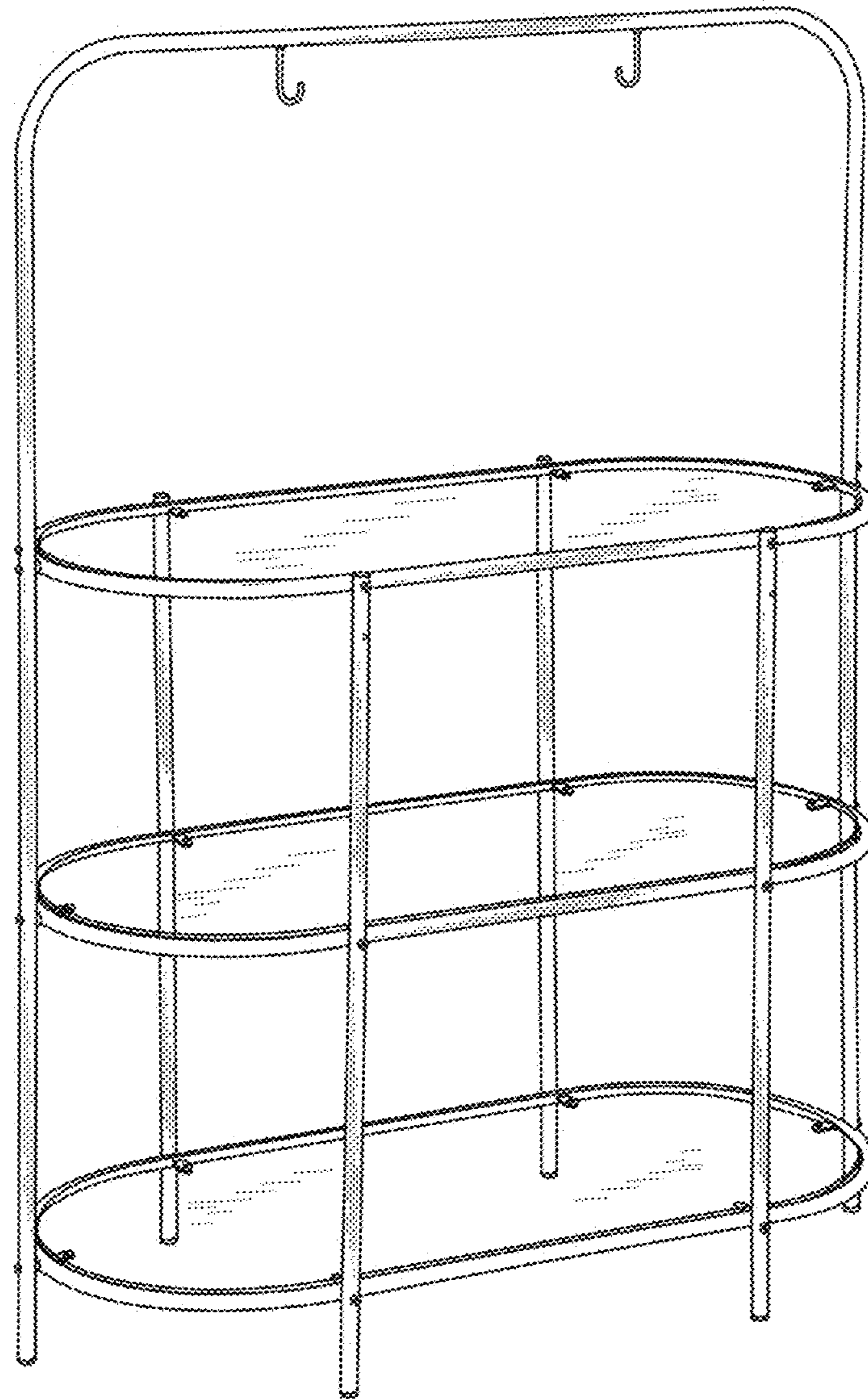


Fig.1

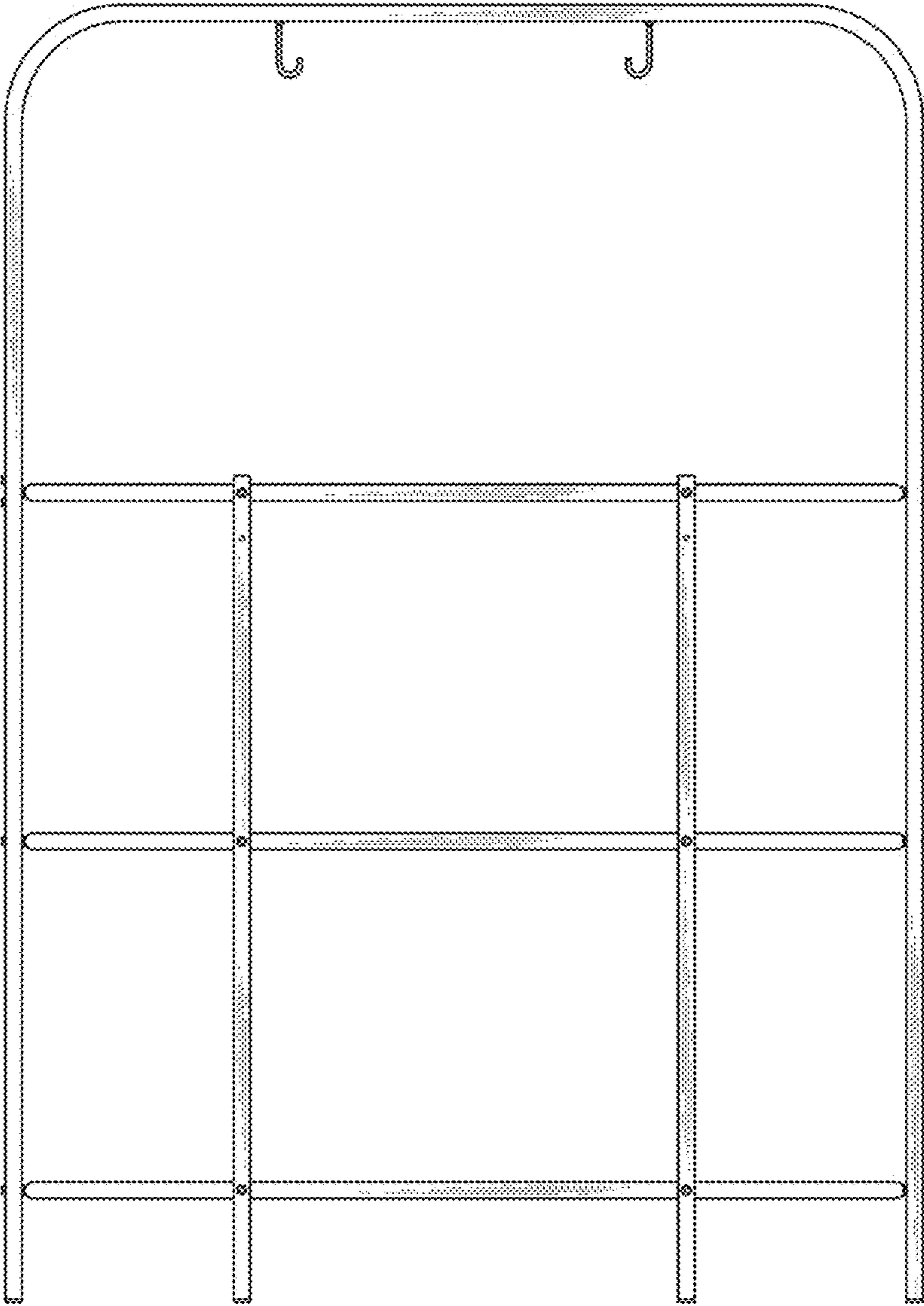


Fig.2

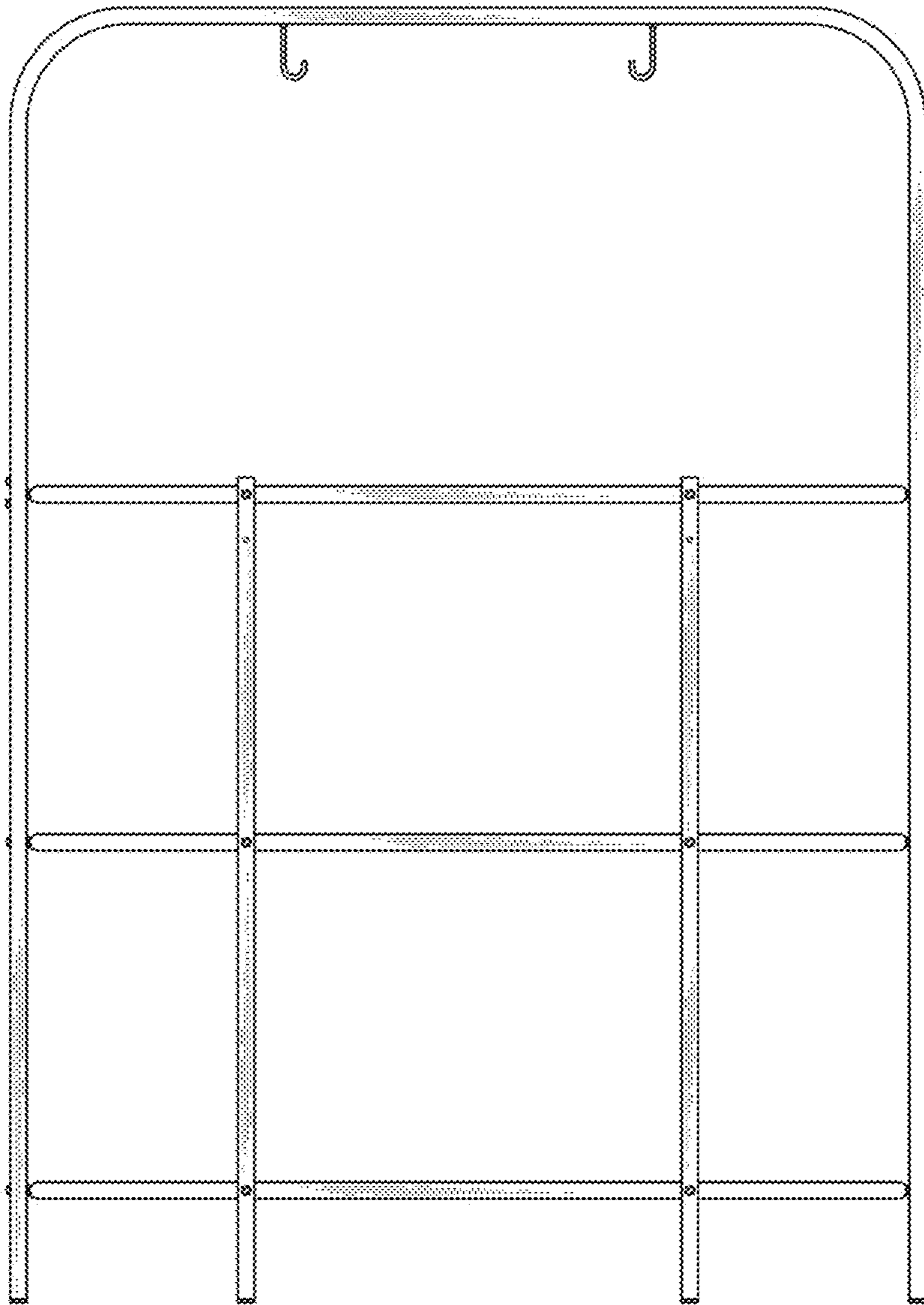


Fig.3

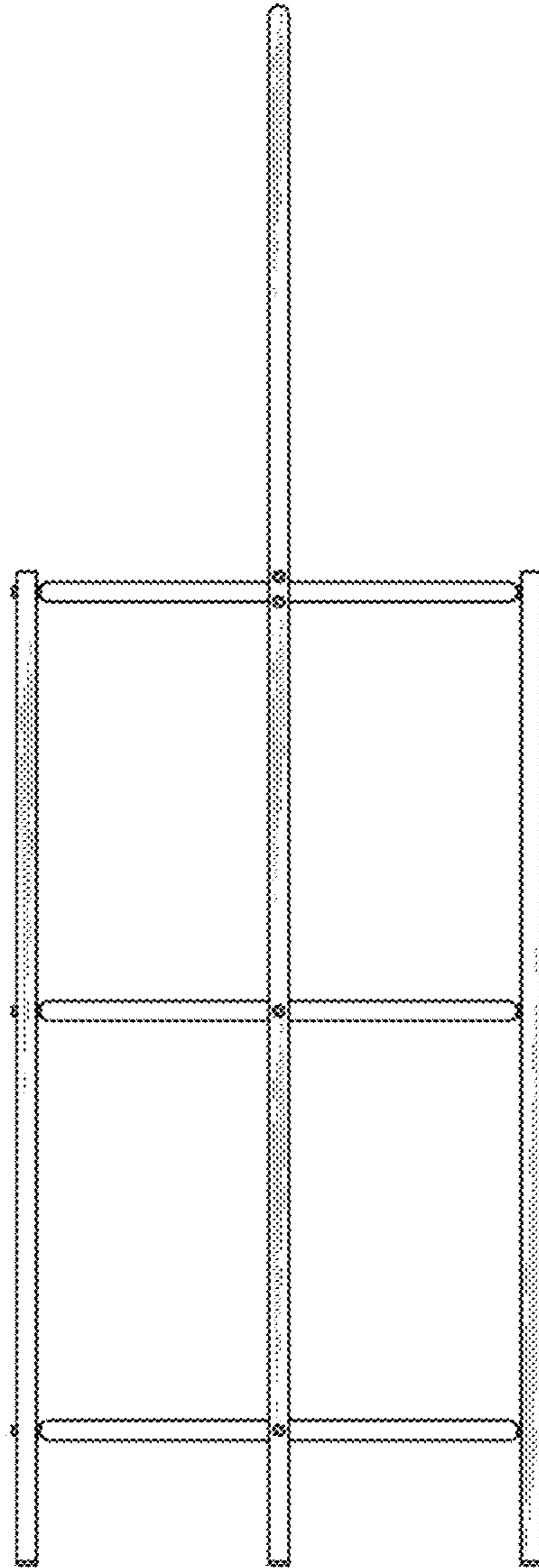


Fig.4

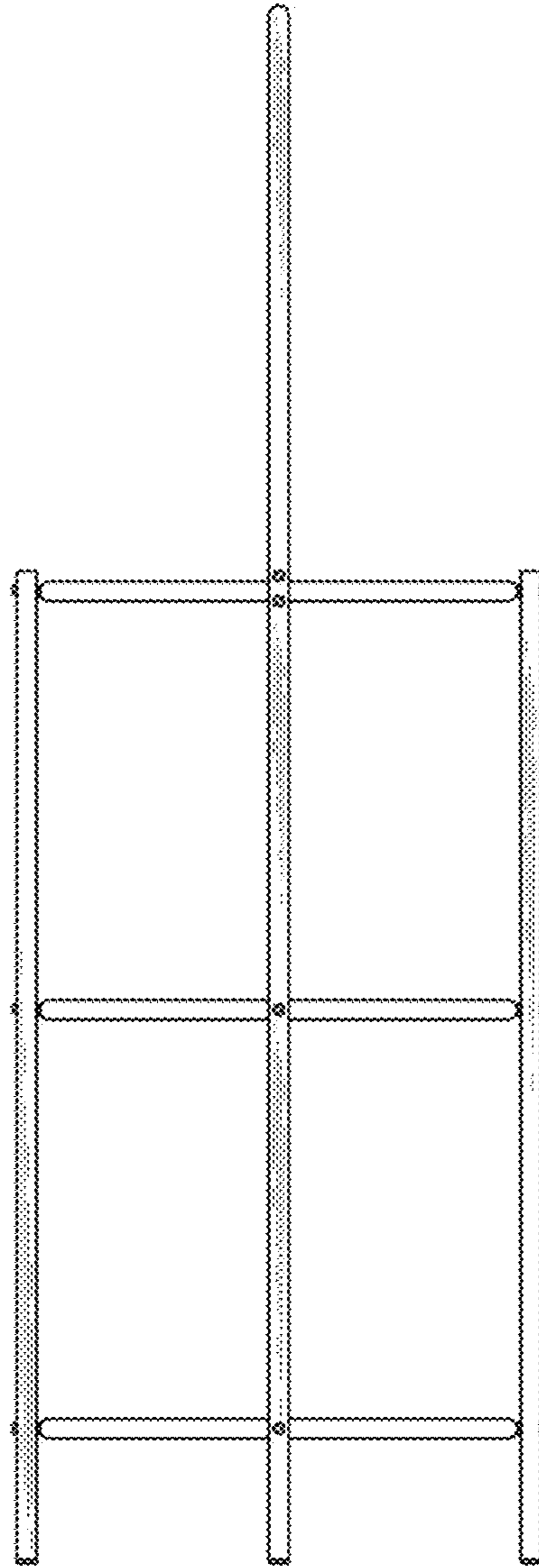


Fig.5

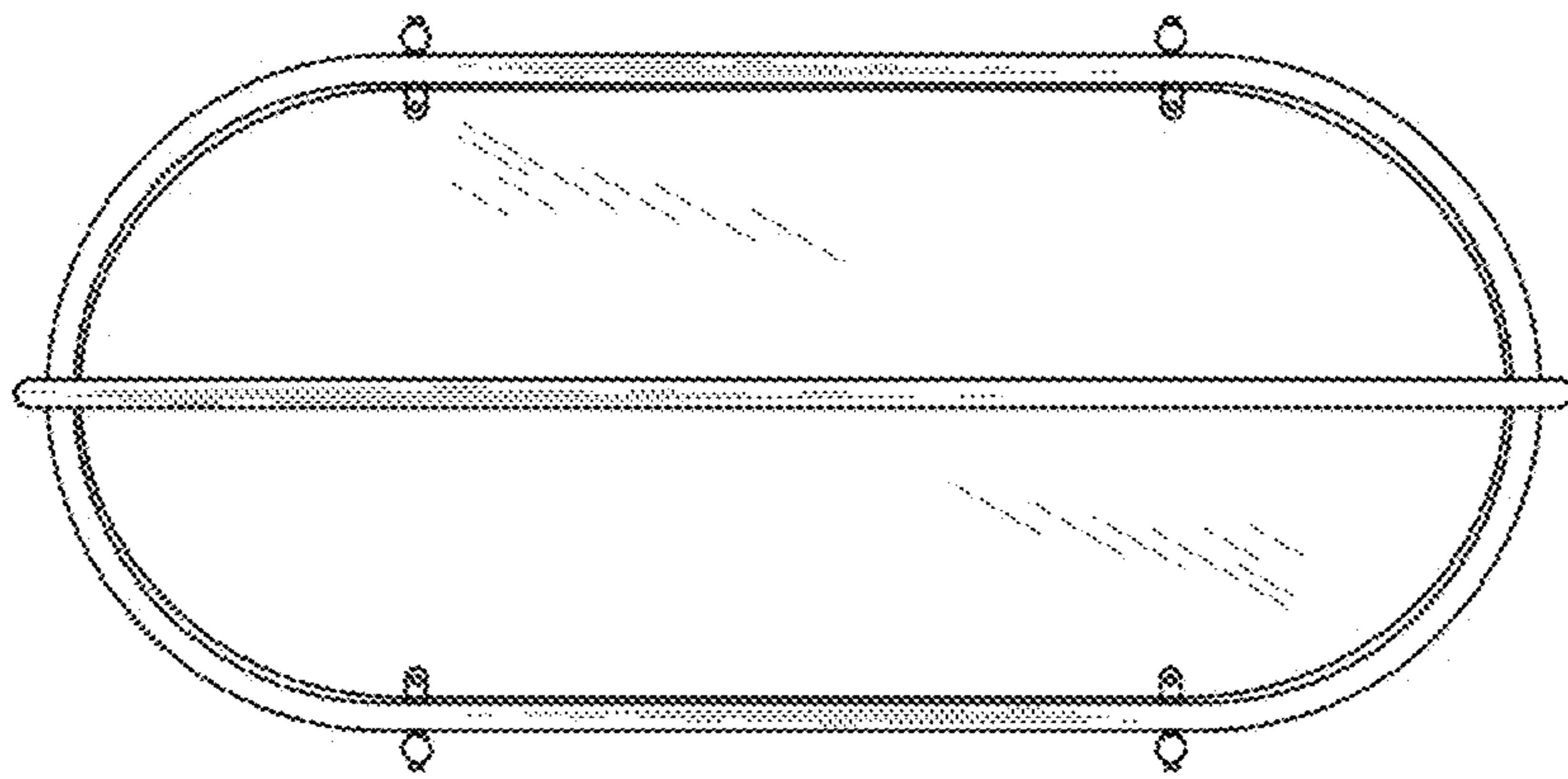


Fig.6

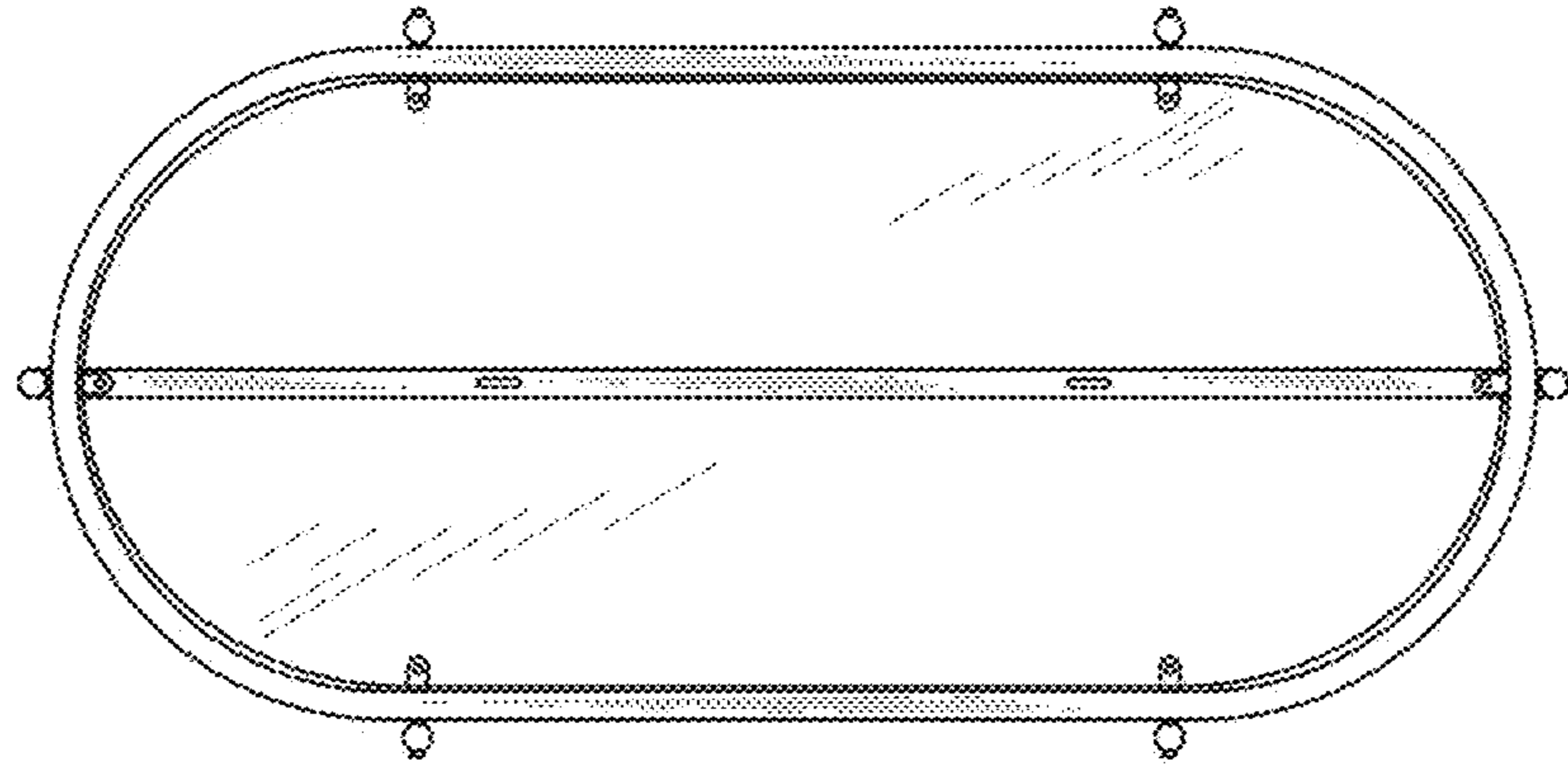


Fig.7