



US00D904807S

(12) **United States Design Patent**  
**Khan**

(10) **Patent No.:** **US D904,807 S**

(45) **Date of Patent:** **\*\* Dec. 15, 2020**

(54) **PRODUCT DISPLAY STRUCTURE**

D815,864 S \* 4/2018 Burton ..... D6/675  
D842,627 S \* 3/2019 Siminoff ..... D6/672  
D877,546 S \* 3/2020 Spielmann ..... D6/675

(71) Applicant: **Arnab Khan**, Wilmington, DE (US)

(72) Inventor: **Arnab Khan**, Wilmington, DE (US)

(73) Assignee: **INVISTA North America S.a.r.l.**,  
Wilmington, DE (US)

(\*\*) Term: **15 Years**

(21) Appl. No.: **29/677,786**

(22) Filed: **Jan. 23, 2019**

(51) **LOC (12) Cl.** ..... **20-02**

(52) **U.S. Cl.**  
USPC ..... **D6/675.1**

(58) **Field of Classification Search**  
USPC ..... D6/335, 552, 657, 661, 672, 673, 675,  
D6/675.1, 675.2, 675.3, 675.4, 675.5,  
D6/678.4, 683.1, 686, 699.1, 702;  
D20/10; D25/1, 16, 32, 33  
CPC ..... A47B 47/00; A47B 47/02; A47B 47/04;  
A47B 47/021; A47B 57/00; A47B  
57/406; A47B 96/00; A47B 96/02; A47B  
61/04; A47B 83/001; A47B 81/00; A47F  
1/00; A47F 7/24; A47F 3/00  
See application file for complete search history.

(56) **References Cited**

**U.S. PATENT DOCUMENTS**

D140,198 S \* 1/1945 Tyler ..... D6/661  
D161,895 S \* 2/1951 Bently ..... D6/661  
D235,790 S \* 7/1975 Zimmers et al. .... D6/673  
D250,868 S \* 1/1979 Ornatek ..... D6/671.3  
D323,944 S \* 2/1992 Maas ..... D13/119  
D410,108 S \* 5/1999 Reed ..... D27/189  
D584,902 S \* 1/2009 Neff ..... D6/657  
D679,521 S \* 4/2013 Hamm ..... D6/672  
D725,947 S \* 4/2015 Tio ..... D6/675.1  
D806,447 S \* 1/2018 Burton ..... D6/657

**OTHER PUBLICATIONS**

Stainmaster Home Studio, www.floorrendsmag.com [online]. Pub-  
lished on or before Aug. 3, 2020, [retrieved on Aug. 14, 2020].  
Retrieved from the Internet: <URL:https://www.floorrendsmag.  
com/articles/106749-nebraska-furniture-mart-debuts-stainmaster-  
home-studio> (Year: 2020).\*

\* cited by examiner

*Primary Examiner* — Michael A. Pratt  
*Assistant Examiner* — Adam C Mager

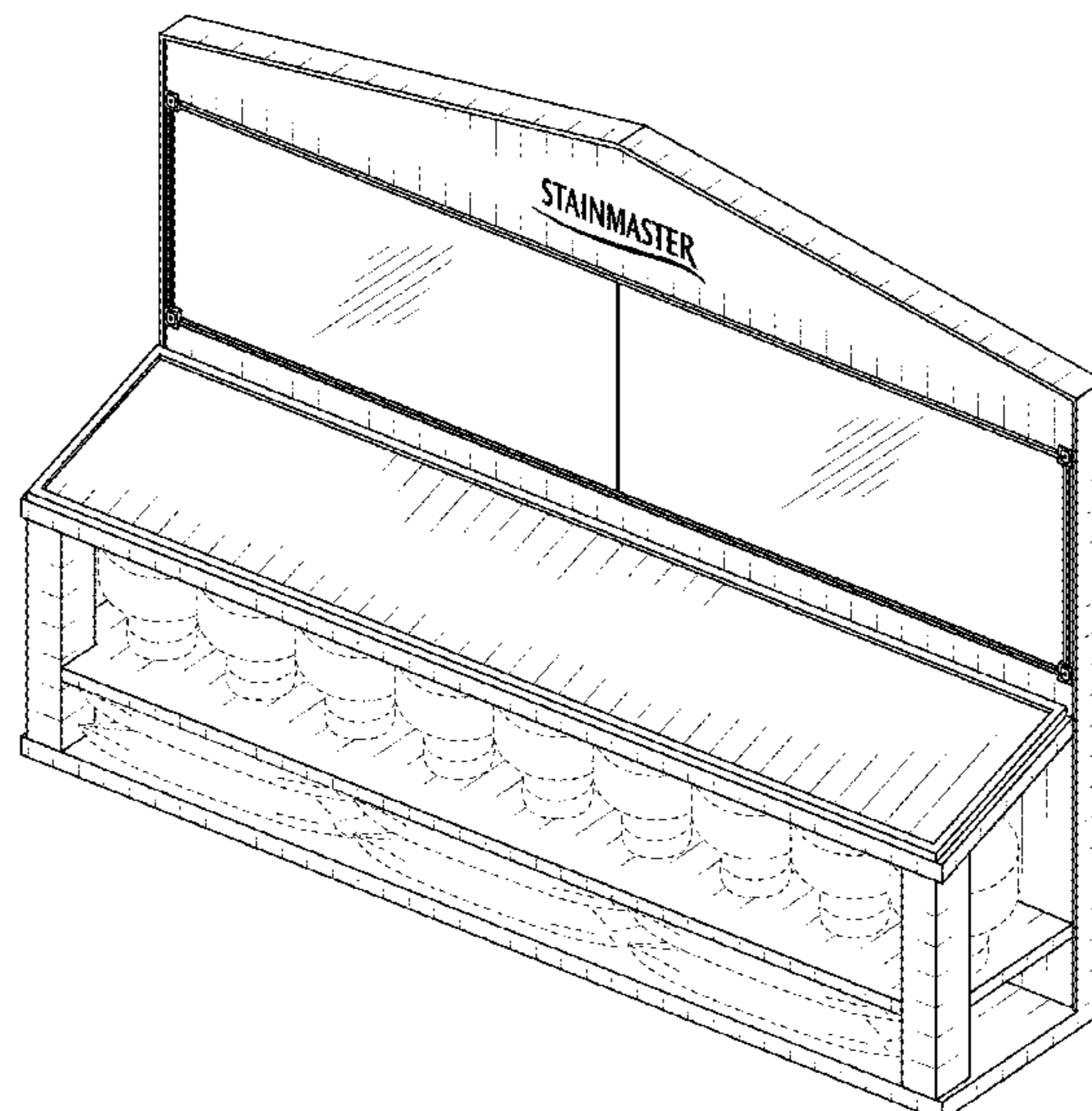
(57) **CLAIM**

The ornamental design for a product display structure, as  
shown and described.

**DESCRIPTION**

FIG. 1 is a front view of a product display structure, showing  
my new design.  
FIG. 2 is a rear view thereof.  
FIG. 3 is a left view thereof.  
FIG. 4 is a right view thereof.  
FIG. 5 is a top view thereof.  
FIG. 6 is a bottom view thereof.  
FIG. 7 is a top-front-left perspective view thereof.  
FIG. 8 is a bottom-rear-right perspective view thereof.  
FIG. 9 is a bottom-front-right perspective view thereof; and,  
FIG. 10 is a top-rear-right perspective view thereof.  
The shade lines show surface contour and not surface  
ornamentation.  
In FIGS. 7-10, the broken line showings of products being  
present within the product display structure illustrate envi-  
ronmental items, and the broken lines form no part of the  
claimed design.

**1 Claim, 10 Drawing Sheets**



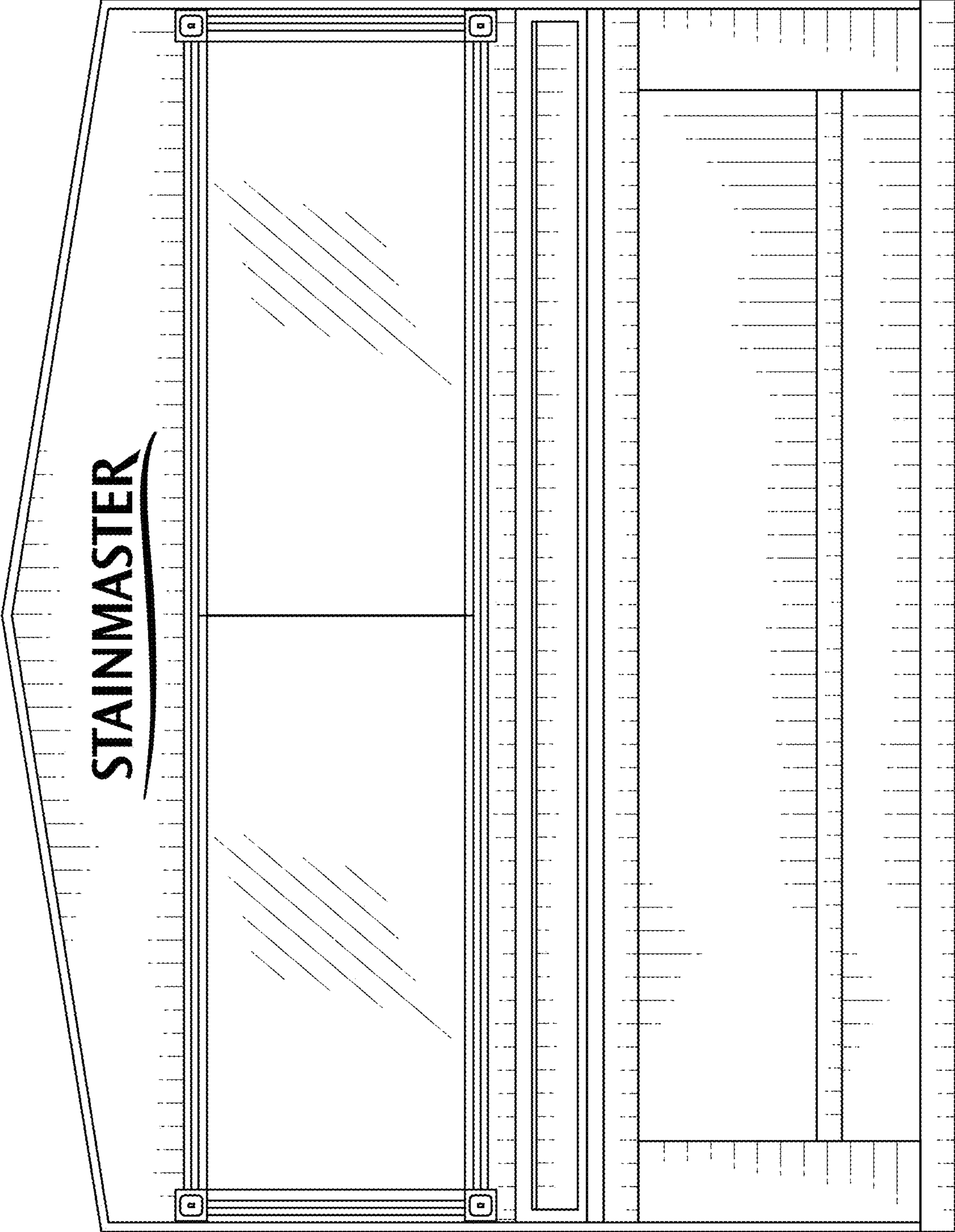


FIG. 1

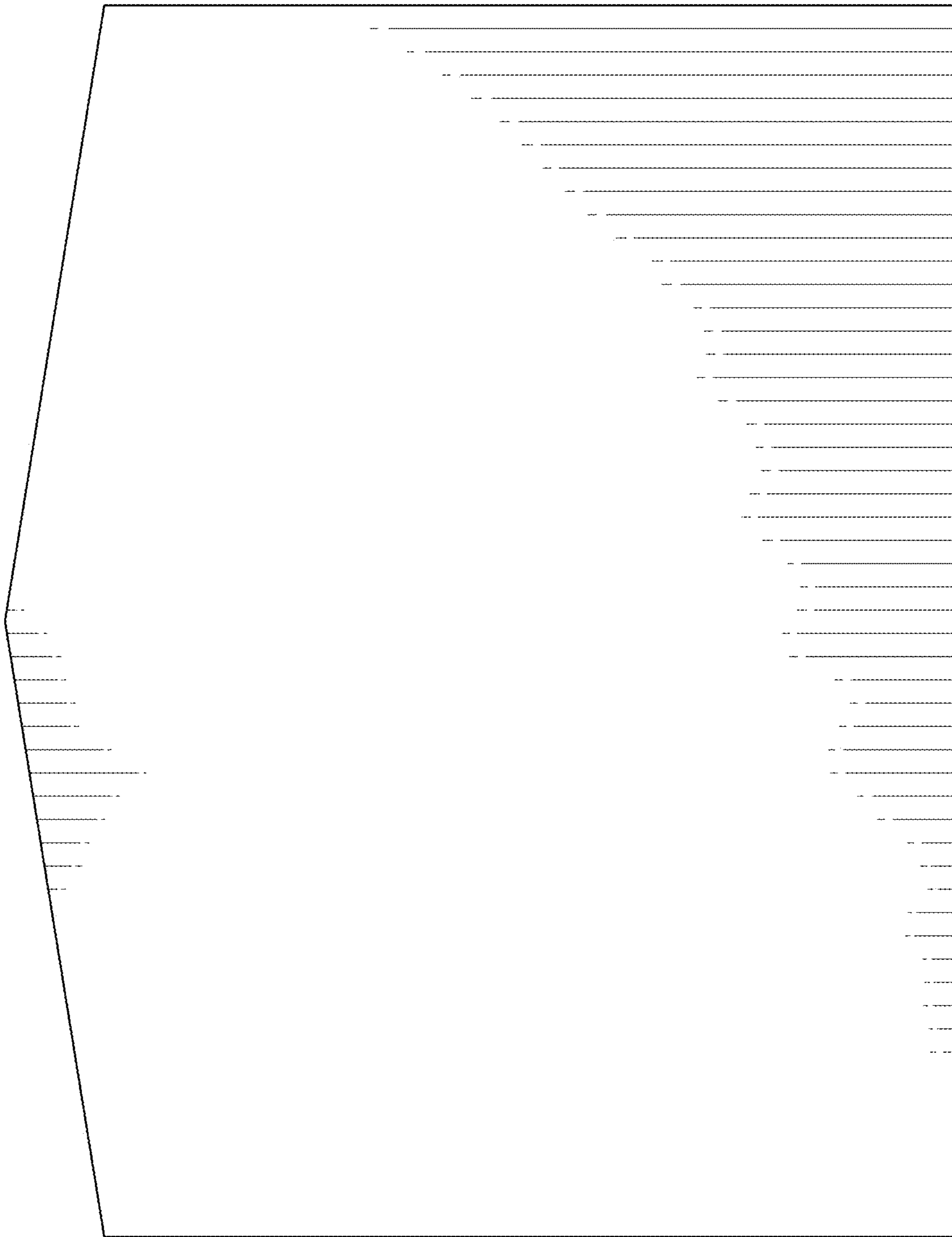


FIG. 2

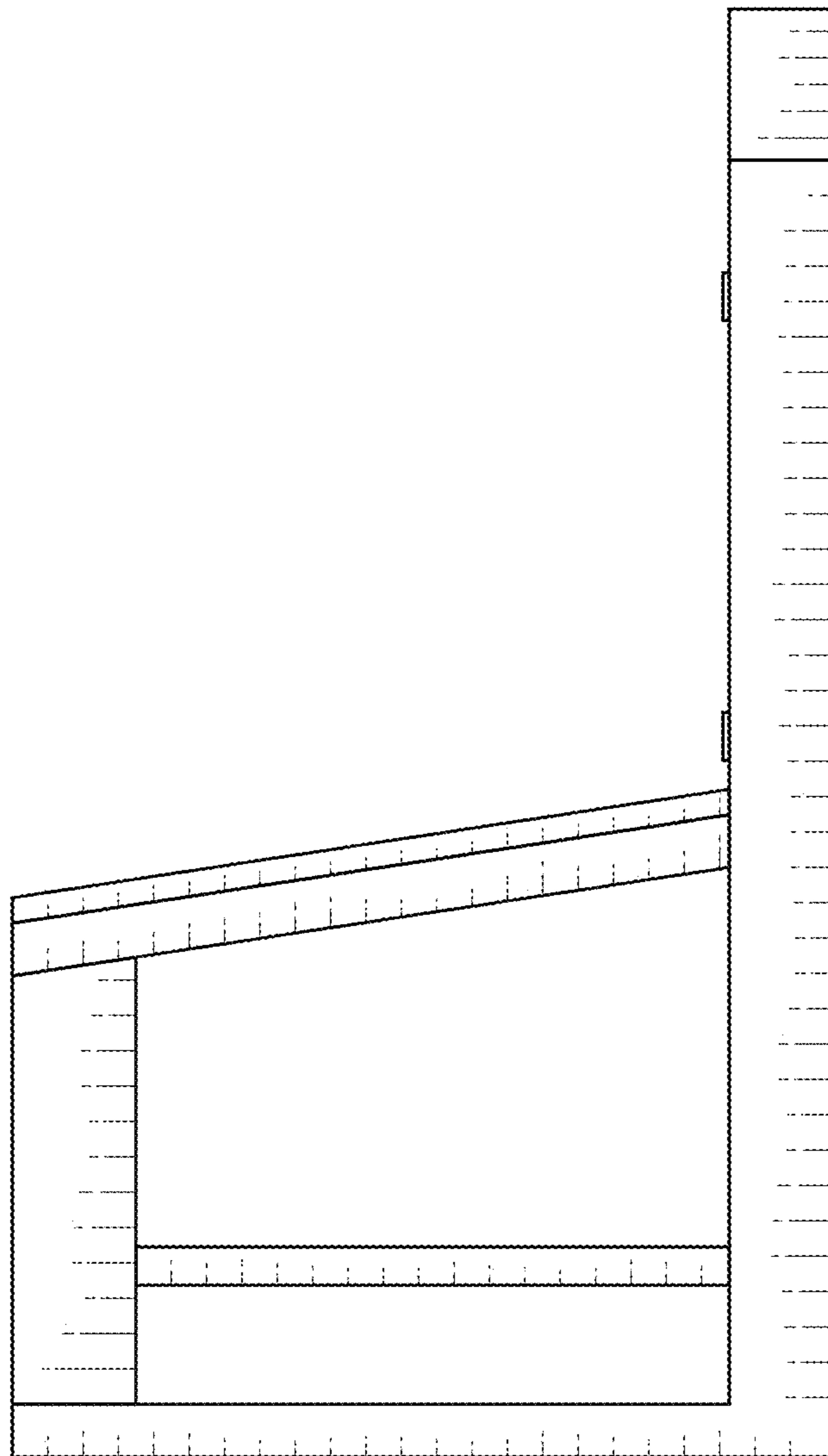


FIG. 3

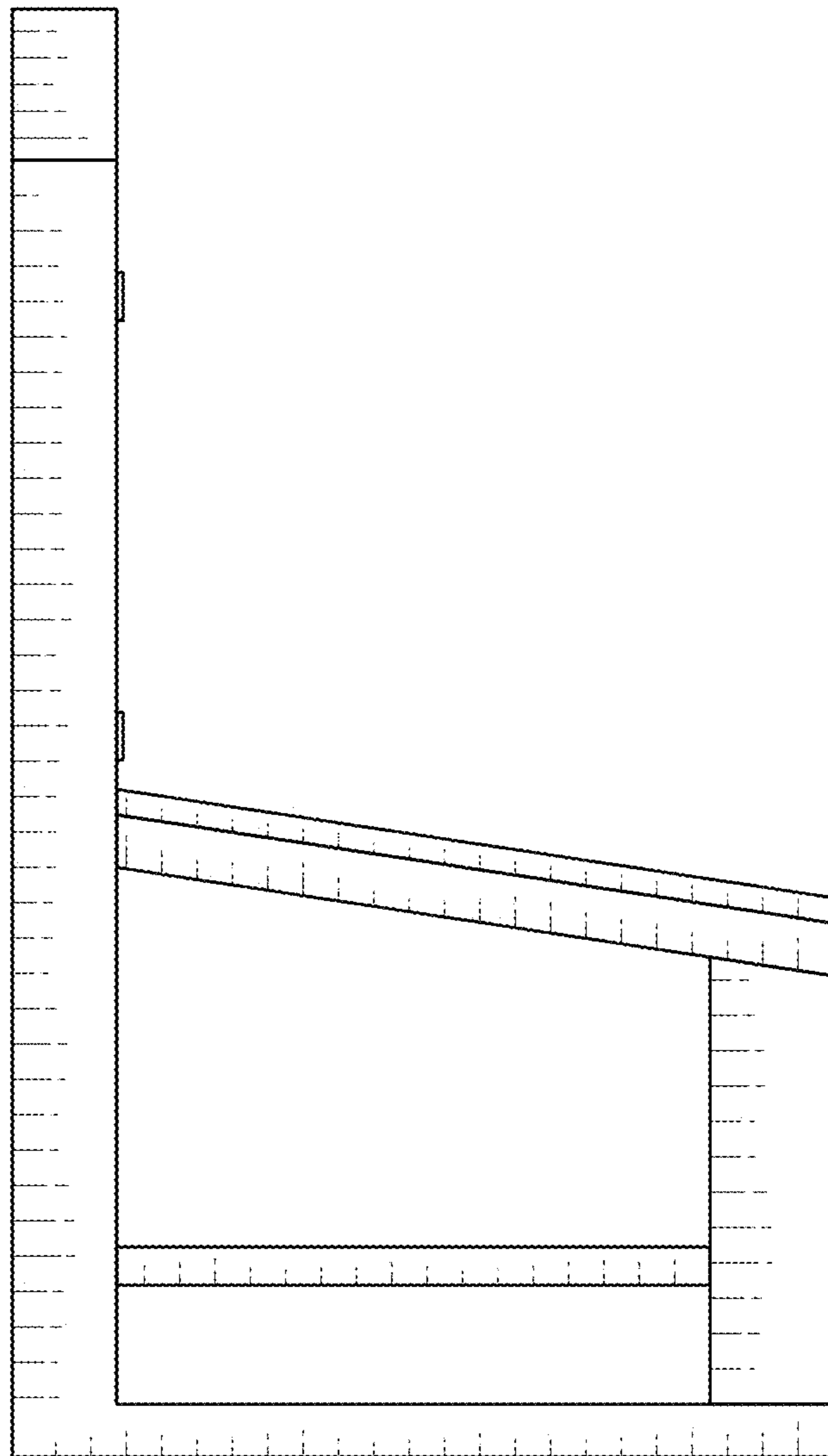


FIG. 4

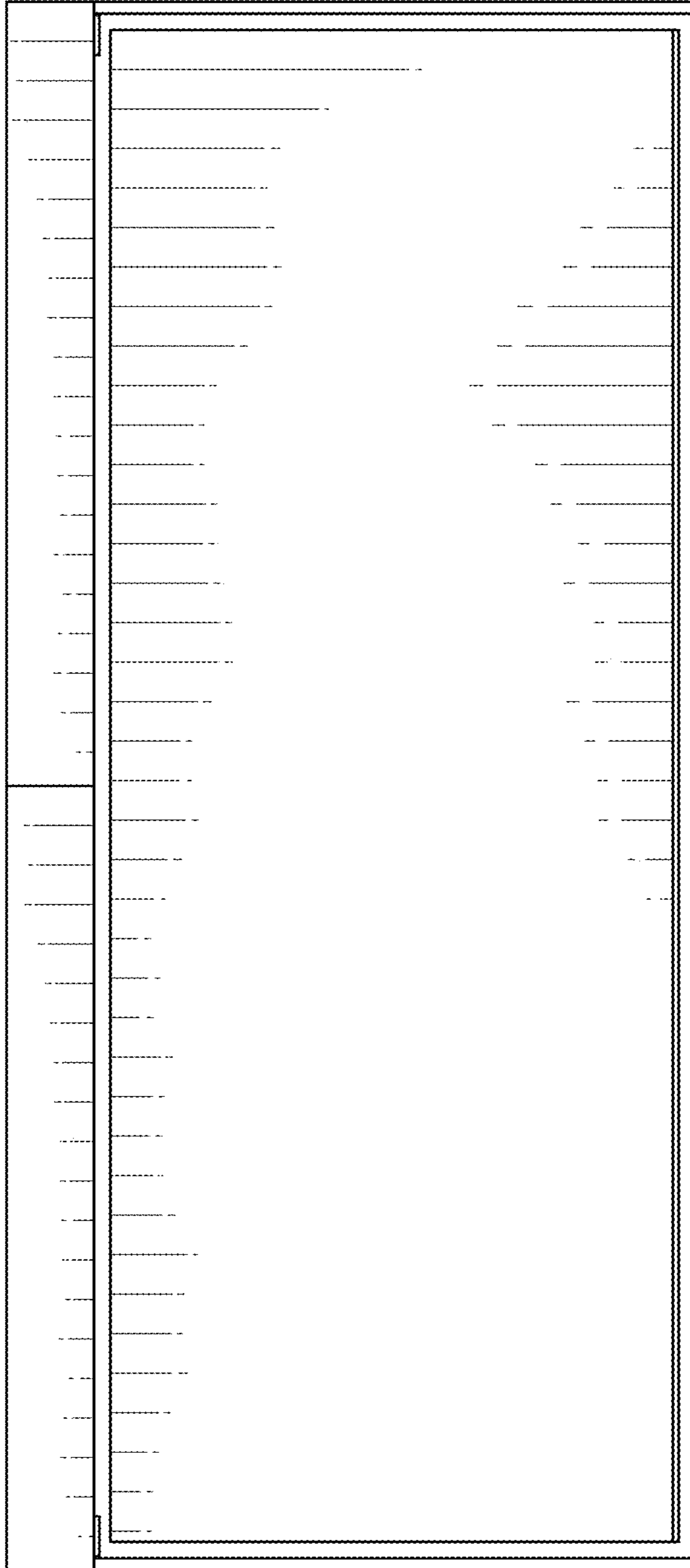


FIG. 5

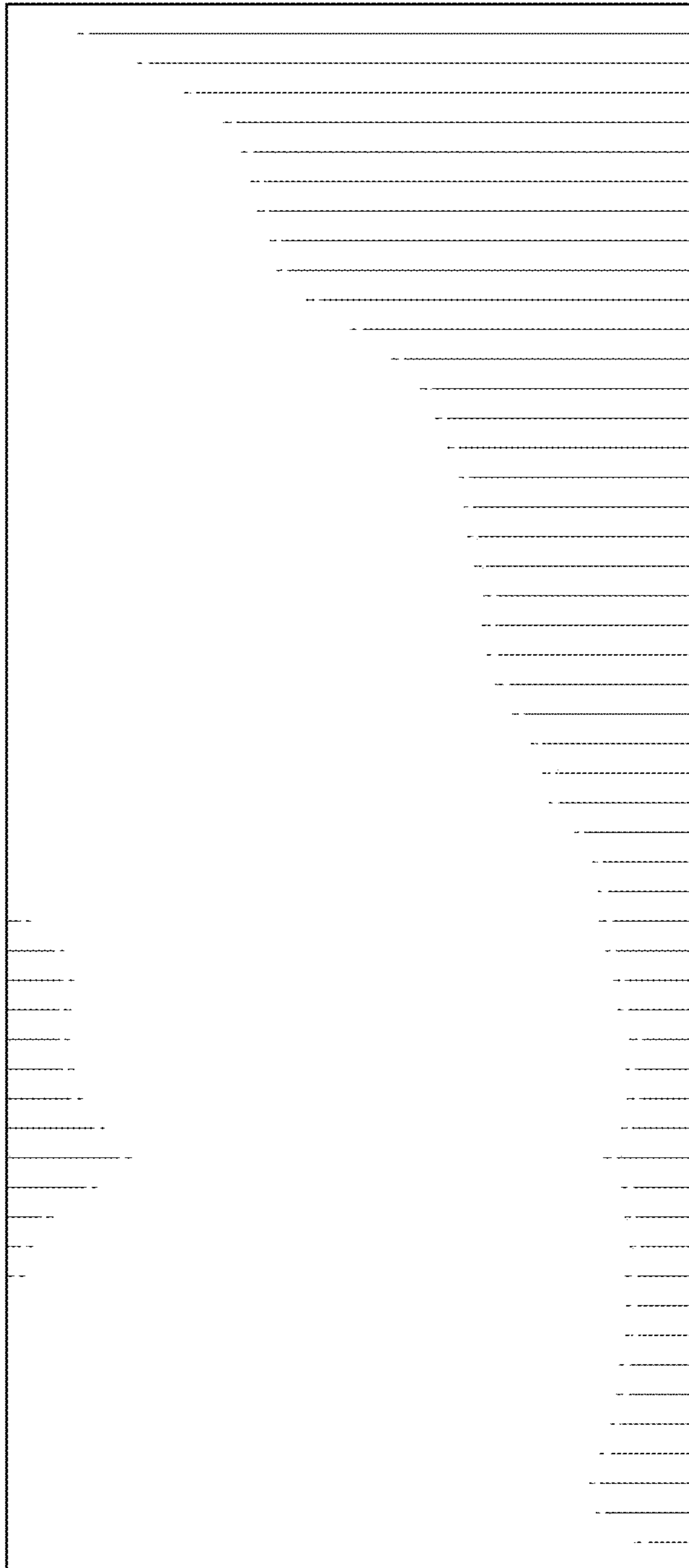


FIG. 6

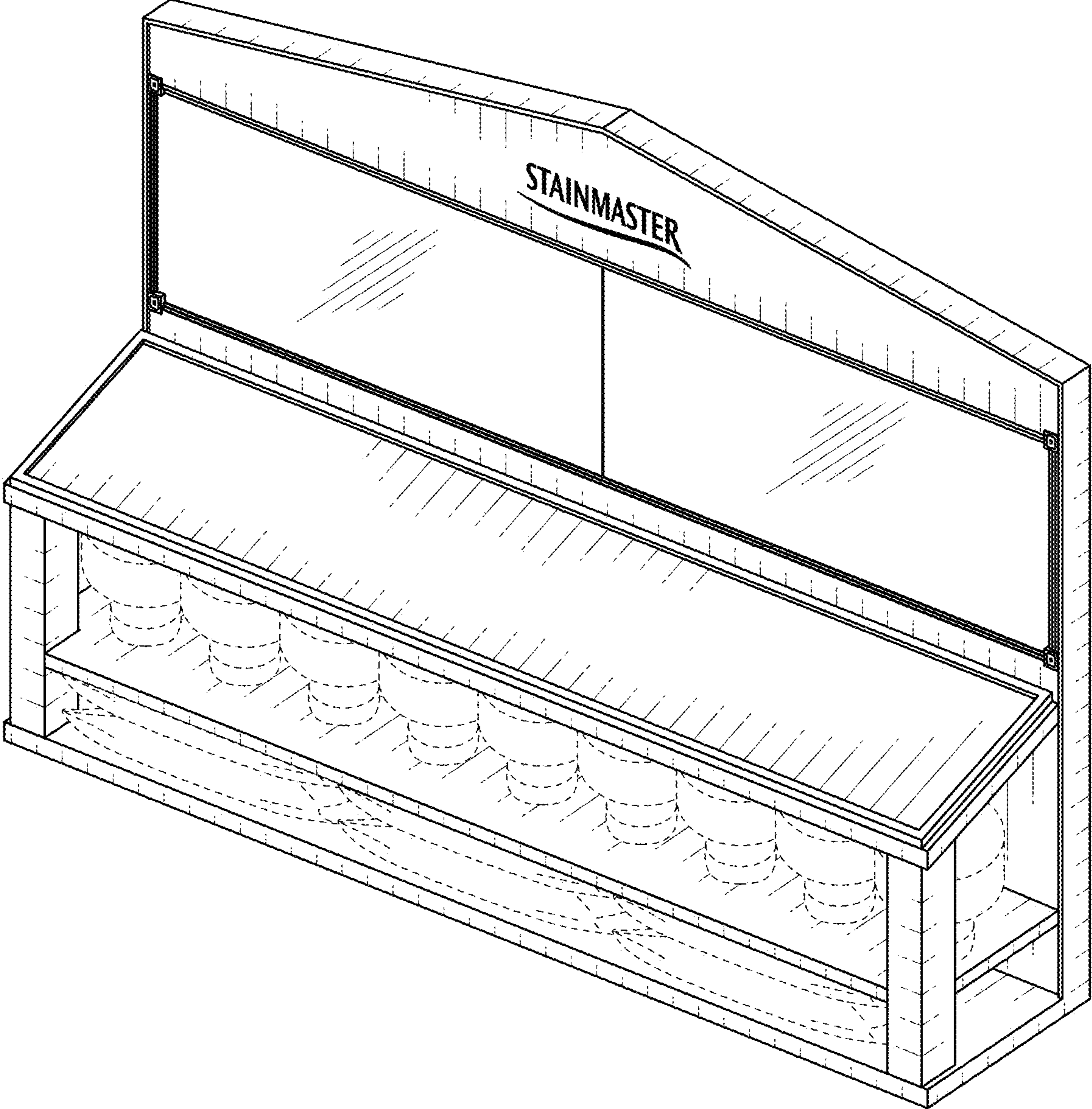


FIG. 7



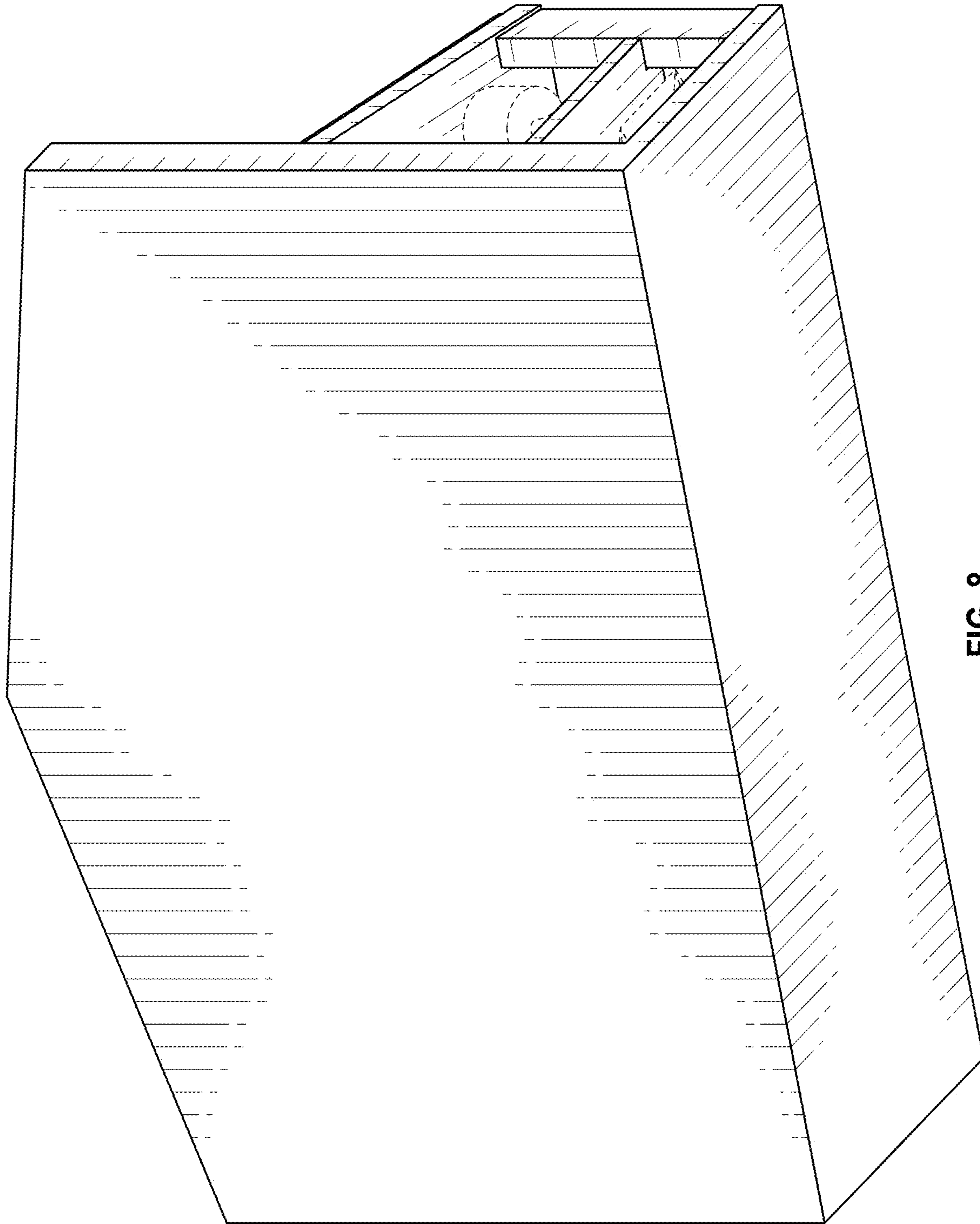


FIG. 8

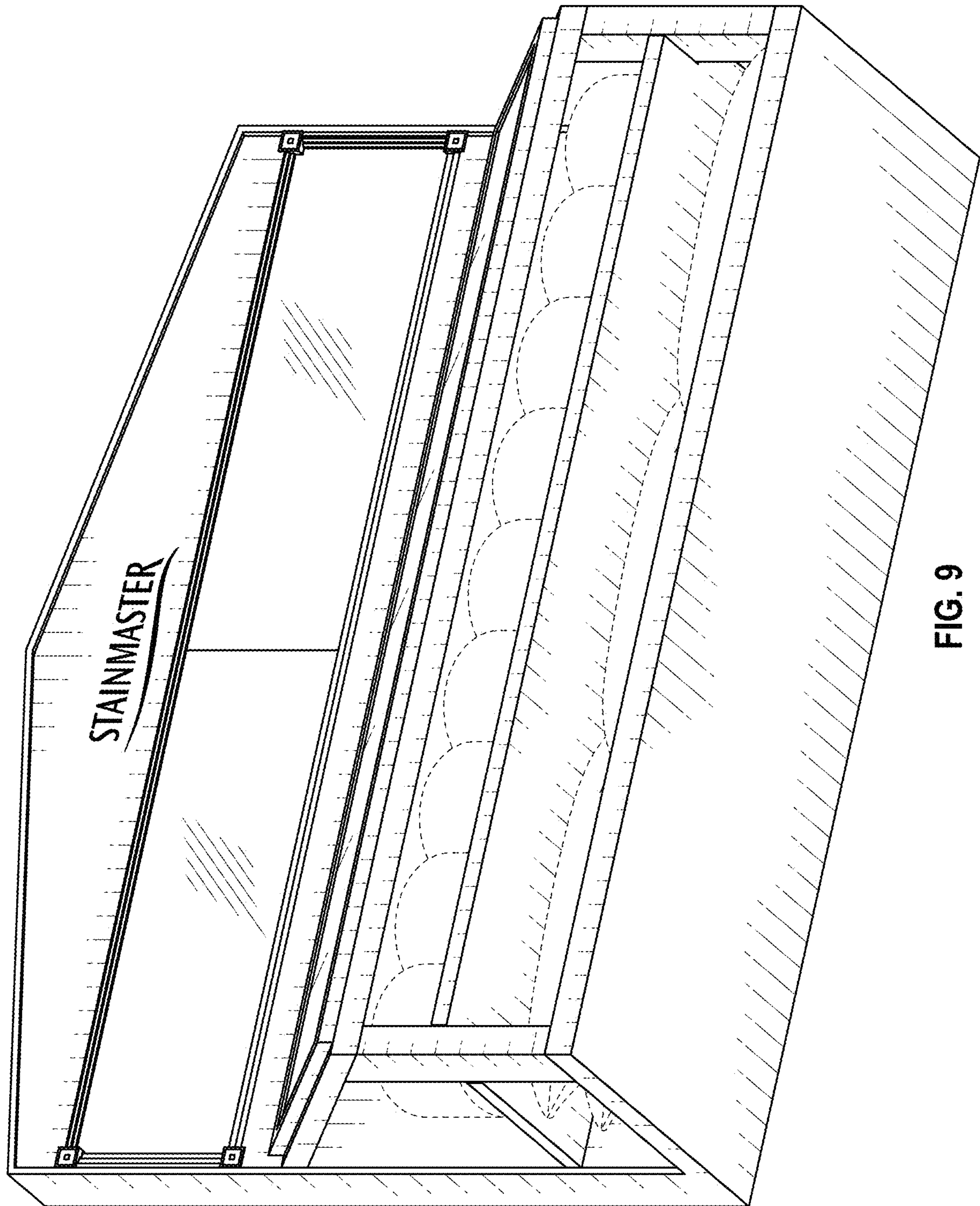


FIG. 9

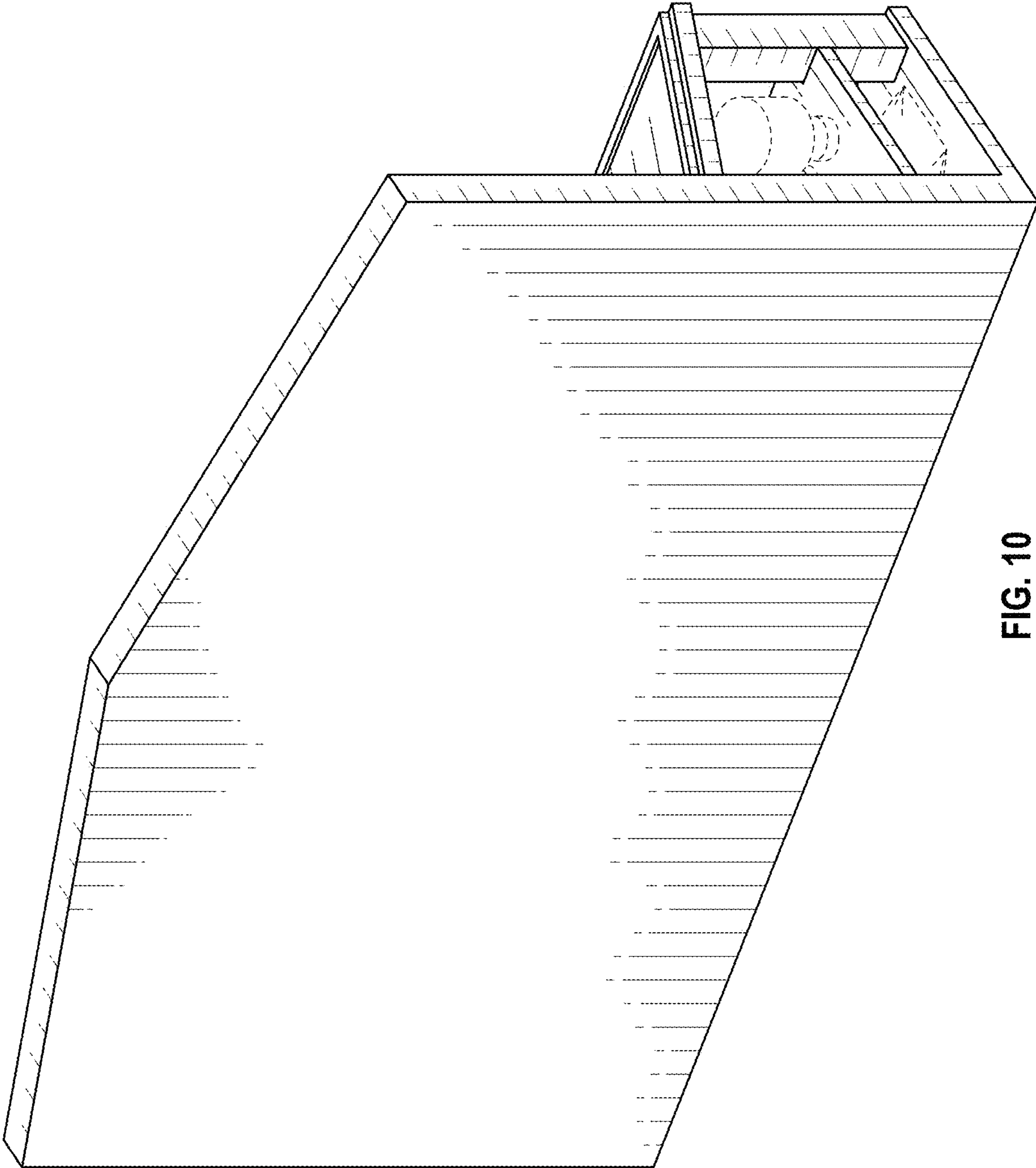


FIG. 10