



US00D904806S

(12) **United States Design Patent**
Zhang

(10) **Patent No.:** **US D904,806 S**

(45) **Date of Patent:** **** Dec. 15, 2020**

(54) **DISPLAY STAND**

(71) Applicant: **NINGBO XUANMIAO LIUZHAO ELECTRONIC COMMERCE CO., LTD.**, Ningbo (CN)

(72) Inventor: **Yuanming Zhang**, Ningbo (CN)

(73) Assignee: **NINGBO XUANMIAO LIUZHAO ELECTRONIC COMMERCE CO., LTD.**, Ningbo (CN)

(**) Term: **15 Years**

(21) Appl. No.: **29/748,948**

(22) Filed: **Sep. 2, 2020**

(51) **LOC (12) Cl.** **06-06**

(52) **U.S. Cl.**
USPC **D6/675**
CPC **A47C 7/68** (2013.01); **A47B 13/081** (2013.01); **A47B 23/00** (2013.01); **A47C 7/624** (2018.08); **A47C 7/70** (2013.01); **A47C 7/705** (2018.08); **A47B 2023/048** (2013.01)

(58) **Field of Classification Search**
USPC D6/672, 673, 675, 675.1, 675.3, 698, D6/702, 704, 705
CPC A47F 5/0043; A47F 5/0081; A47B 46/00; A47B 49/00; A47B 23/00; A47B 23/04; A47B 5/006; A47B 7/02
See application file for complete search history.

(56) **References Cited**

U.S. PATENT DOCUMENTS

- D221,072 S * 7/1971 Arenhold D6/349
- D233,293 S * 10/1974 Rosen D6/691.3
- D377,463 S * 1/1997 Cressall D12/98
- D485,094 S 1/2004 Chang
- D642,821 S * 8/2011 Fowler D6/391
- D694,558 S * 12/2013 Denby D6/675.1

- D698,306 S * 1/2014 Grovender D12/317
- D707,993 S * 7/2014 Grigonis, Jr. D6/675.3
- D722,065 S * 2/2015 Zwerner D14/447
- D746,618 S * 1/2016 Clark D6/675.3
- D753,419 S * 4/2016 Heirakuji D6/675
- D763,016 S * 8/2016 Clark D6/675
- D765,450 S * 9/2016 Biddle D6/691
- D783,328 S * 4/2017 Hollingsworth D6/708
- D785,956 S * 5/2017 Stricklin D6/349
- D789,703 S * 6/2017 Qiao A47C 7/70
D6/406.3
- D794,983 S * 8/2017 Peota D6/675.1
- D810,482 S * 2/2018 Modlin D6/691
- D810,834 S 2/2018 Kelly et al.
- D811,784 S * 3/2018 Sartain D6/684
- D866,228 S * 11/2019 Pedersen D6/675.1
- D895,631 S * 9/2020 Kanter D14/451
- D896,011 S * 9/2020 Velez D6/691
- 2014/0239133 A1* 8/2014 Burns F16M 11/22
248/121
- 2015/0320225 A1* 11/2015 Boyd A47C 19/04
5/202
- 2018/0235361 A1* 8/2018 Ching A47B 21/0314

* cited by examiner

Primary Examiner — Kelley A Donnelly

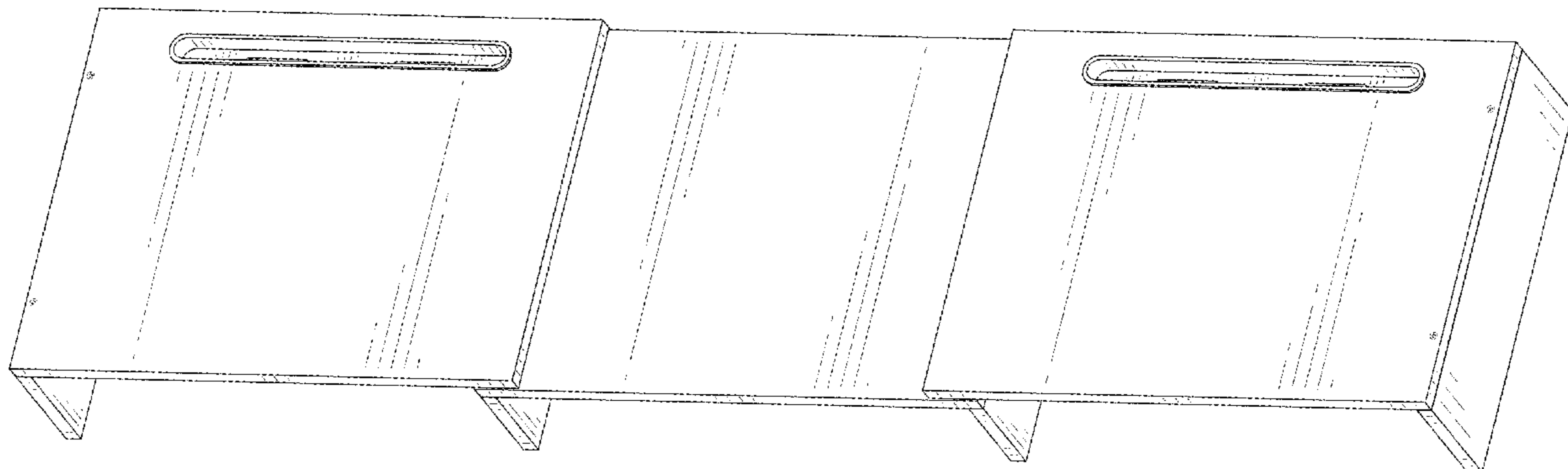
(57) **CLAIM**

The ornamental design for a display stand, as shown and described.

DESCRIPTION

FIG. 1 is a perspective view of a display stand showing my new design;
FIG. 2 is another perspective view thereof;
FIG. 3 is a front elevational view thereof;
FIG. 4 is a rear elevational view thereof;
FIG. 5 is a left side elevational view thereof;
FIG. 6 is a right side elevational view thereof;
FIG. 7 is a top plan view thereof; and,
FIG. 8 is a bottom plan view thereof.

1 Claim, 8 Drawing Sheets



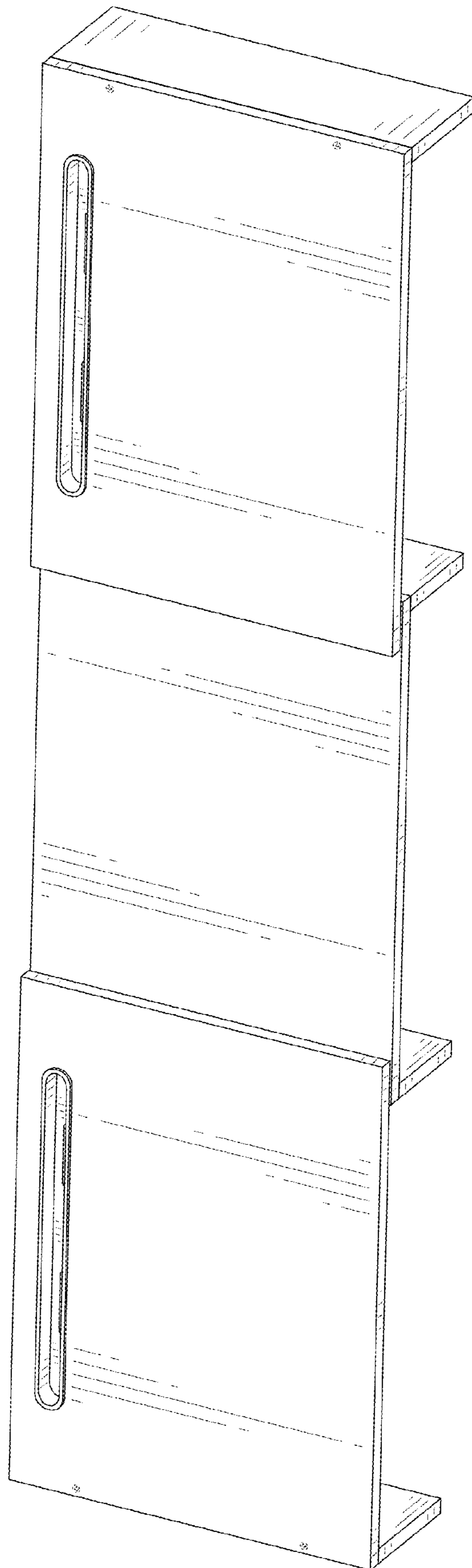


FIG. 1

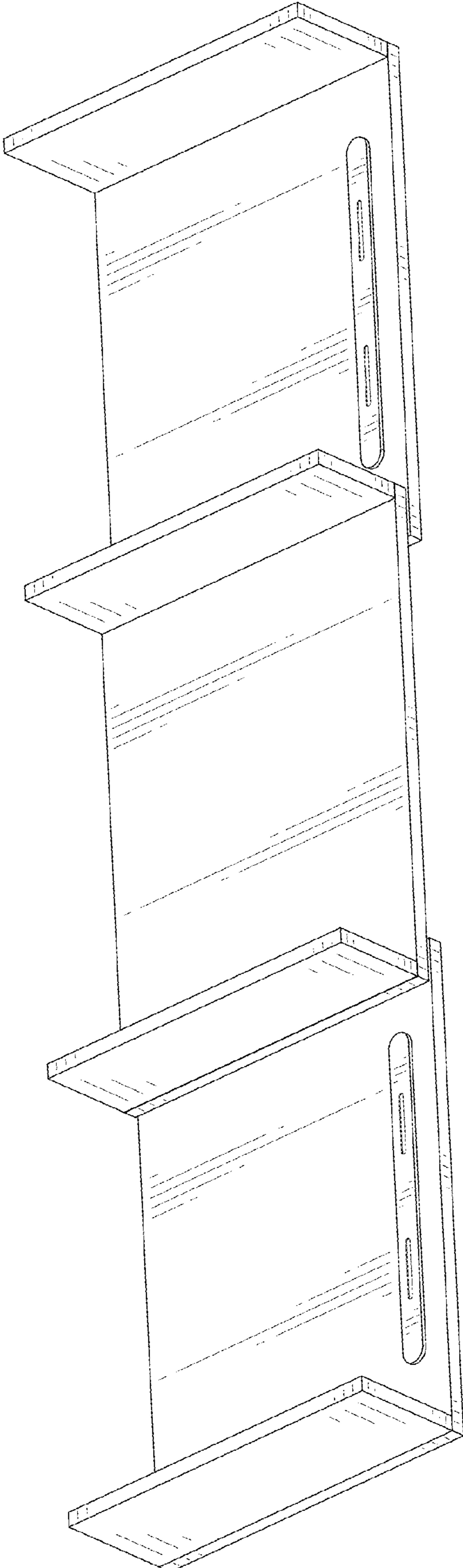


FIG. 2

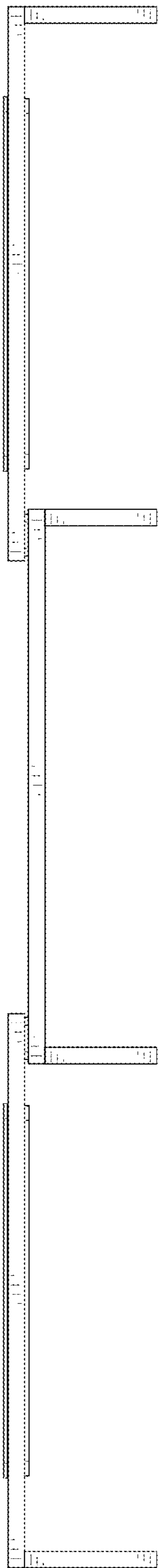


FIG. 3

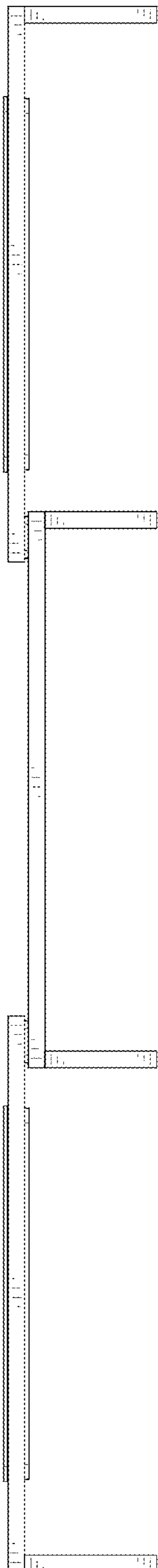


FIG. 4

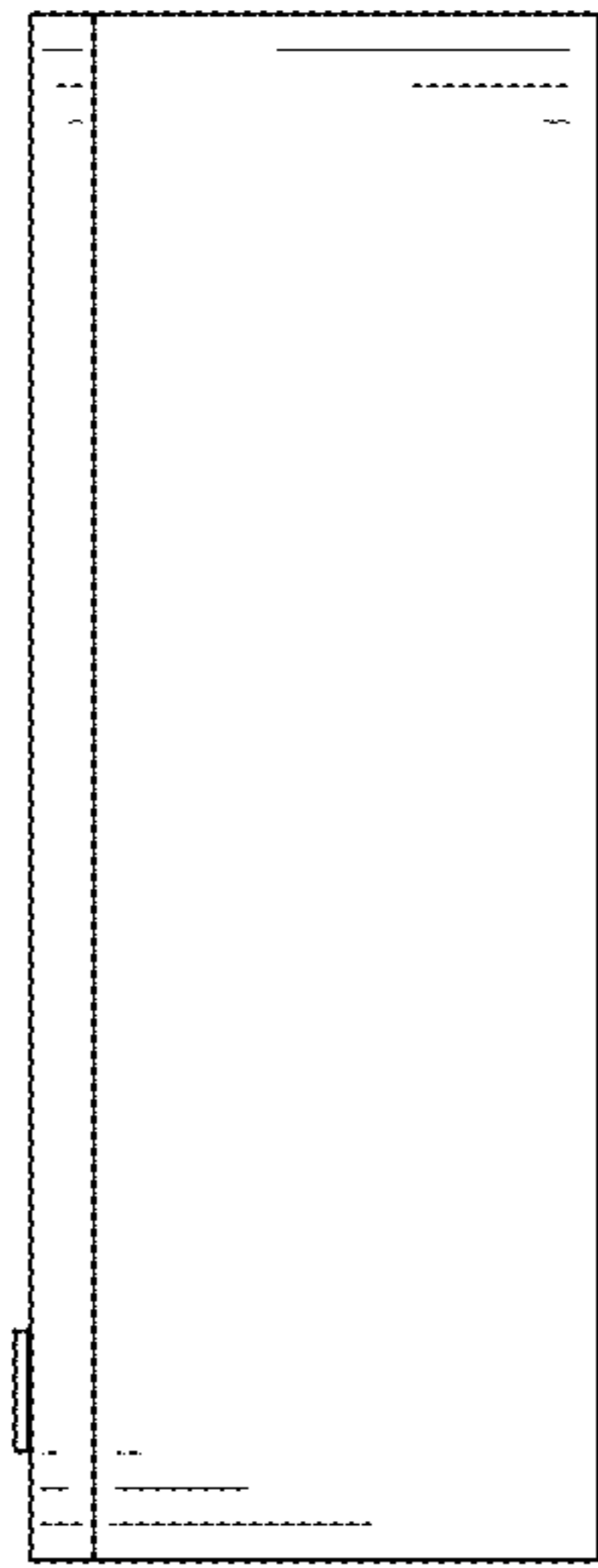


FIG. 5

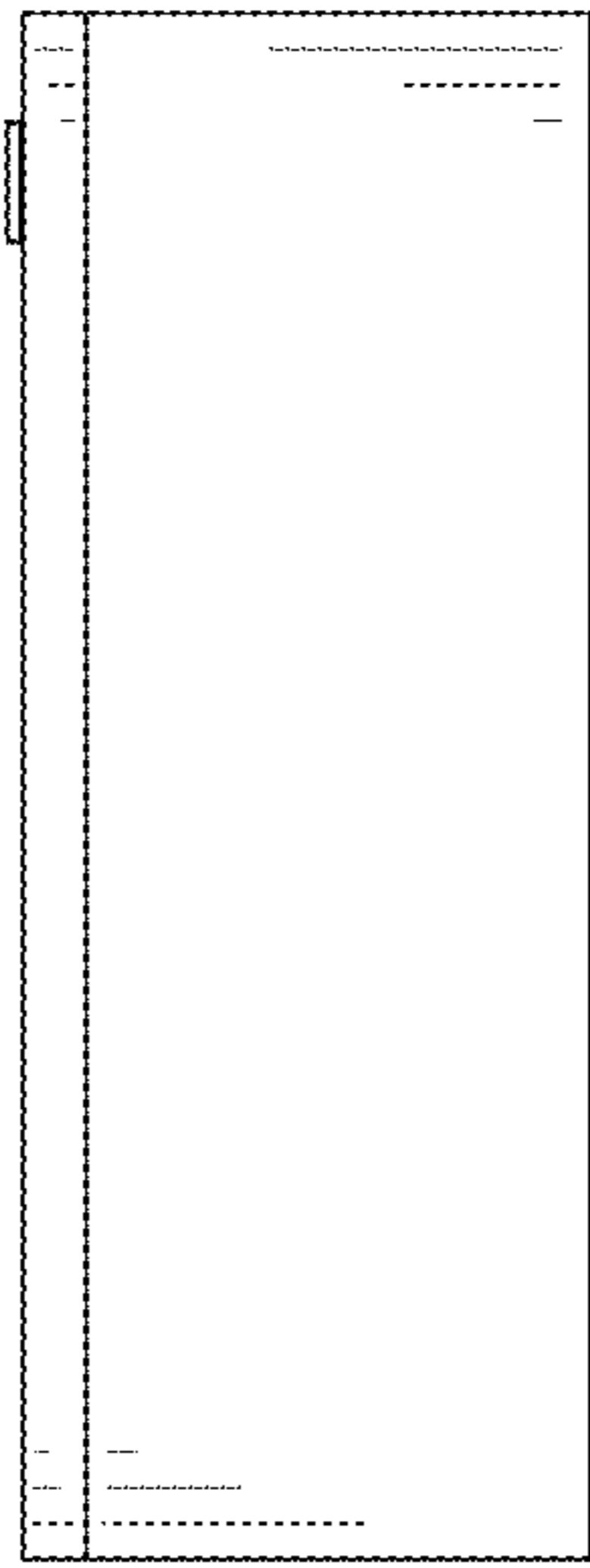


FIG. 6

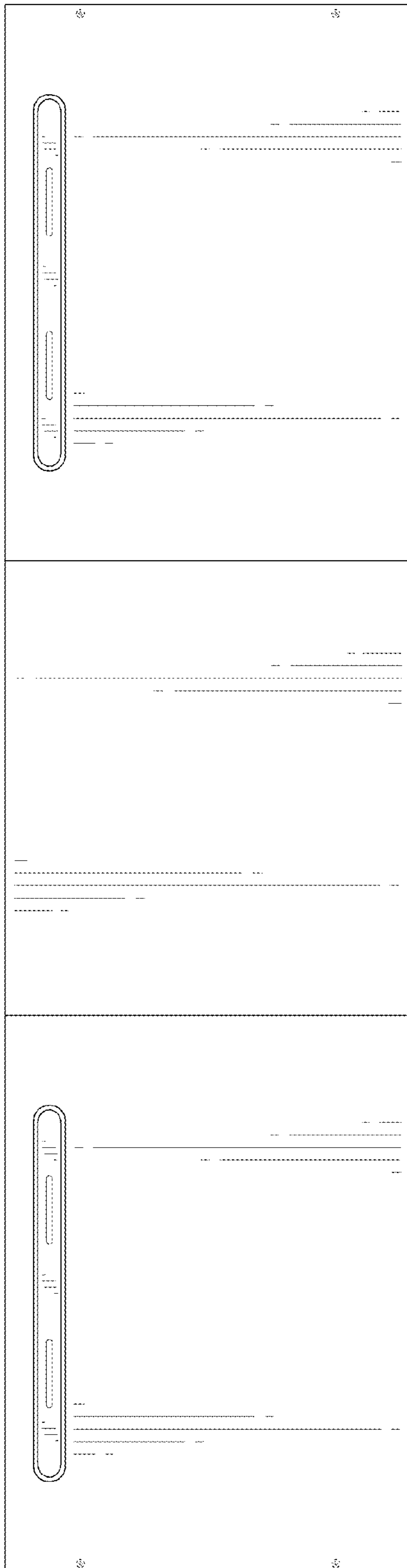


FIG. 7

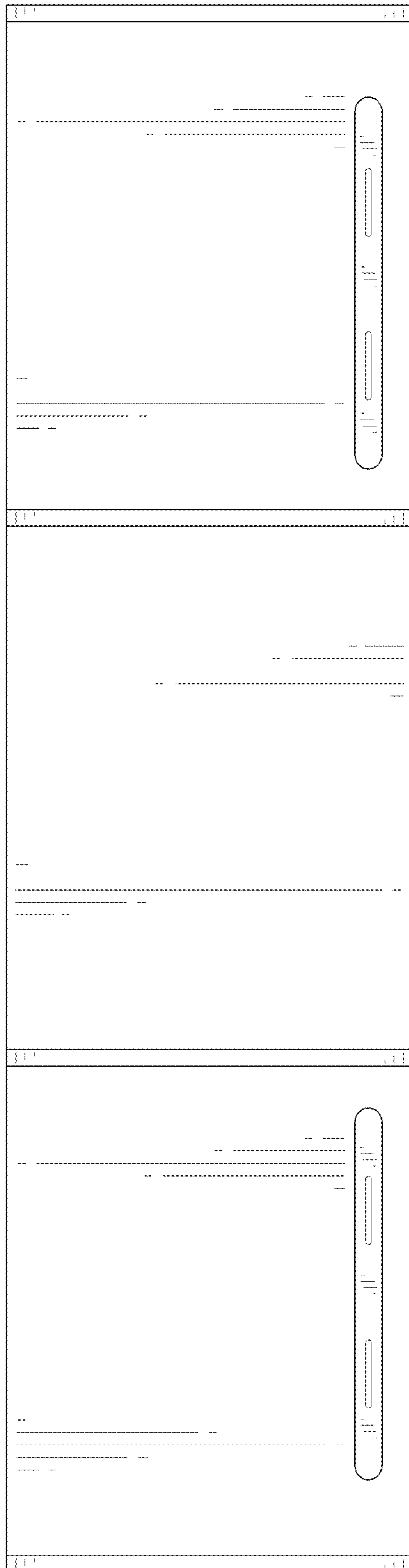


FIG. 8



US00D904806C1

(12) **EX PARTE REEXAMINATION CERTIFICATE** (12071st)
United States Patent
Zhang

(10) **Number:** **US D904,806 C1**
(45) **Certificate Issued:** **Jun. 10, 2022**

(54) **DISPLAY STAND**

(71) Applicant: **NINGBO XUANMIAO LIUZHAO ELECTRONIC COMMERCE CO., LTD.**, Ningbo (CN)

(72) Inventor: **Yuanming Zhang**, Ningbo (CN)

(73) Assignee: **NINGBO XUANMIAO LIUZHAO ELECTRONIC COMMERCE CO., LTD.**, Ningbo (CN)

(51) **LOC (13) Cl.** 06-06

(52) **U.S. Cl.**
USPC **D6/675**

(58) **Field of Classification Search**
USPC D6/637, 673, 675, 675.1, 675.3, 698, D6/702, 704, 705
CPC A47F 5/0043; A47F 5/0081; A47B 46/00; A47B 49/00; A47B 23/00; A47B 23/04; A47B 5/006; A47B 7/02
See application file for complete search history.

Reexamination Request:

No. 90/014,793, Jul. 2, 2021

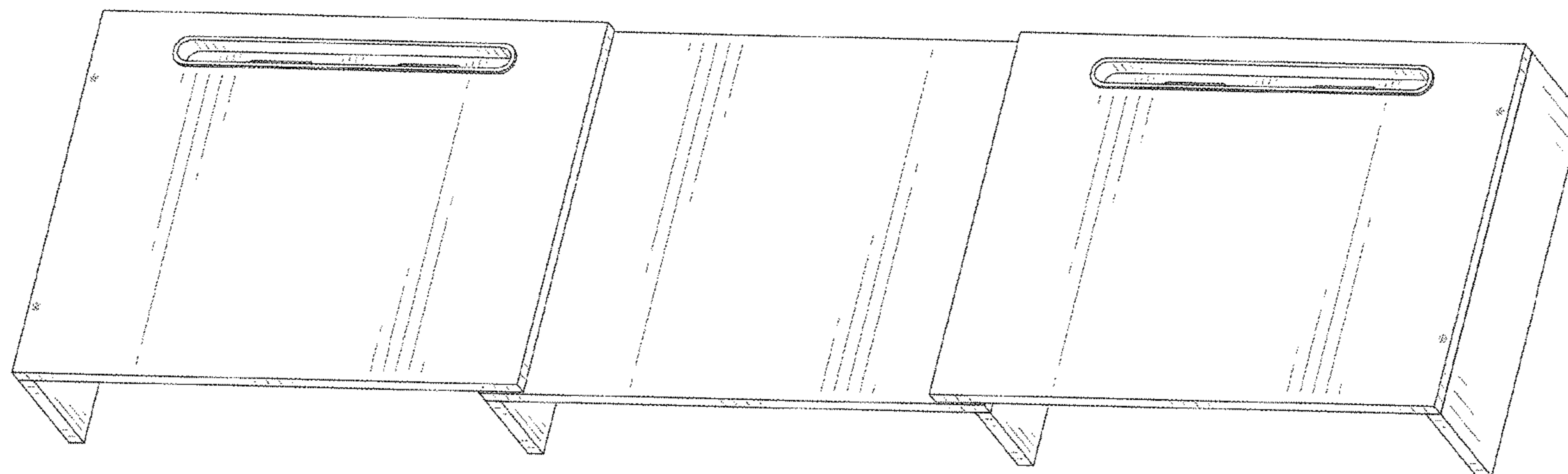
Reexamination Certificate for:

Patent No.: **Des. 904,806**
Issued: **Dec. 15, 2020**
Appl. No.: **29/748,948**
Filed: **Sep. 2, 2020**

(56) **References Cited**

To view the complete listing of prior art documents cited during the proceeding for Reexamination Control Number 90/014,793, please refer to the USPTO's public Patent Application Information Retrieval (PAIR) system under the Display References tab.

Primary Examiner — Philip S Hyder



1
EX PARTE
REEXAMINATION CERTIFICATE

THE PATENT IS HEREBY AMENDED AS
INDICATED BELOW.

5

AS A RESULT OF REEXAMINATION, IT HAS BEEN
DETERMINED THAT:

The claim 1 is cancelled.

10

* * * * *