



US00D904801S

(12) **United States Design Patent** (10) **Patent No.:** **US D904,801 S**
Davis et al. (45) **Date of Patent:** **** Dec. 15, 2020**

(54) **CONSOLE**

FOREIGN PATENT DOCUMENTS

(71) Applicant: **WALKER EDISON FURNITURE COMPANY LLC**, Salt Lake City, UT (US)

CN 304163895 9/2017
CN 305138614 5/2019

(Continued)

(72) Inventors: **Matthew Davis**, Murray, UT (US);
Brad Bonham, Draper, UT (US);
Richard A. Packer, Kaysville, UT (US)

OTHER PUBLICATIONS

“Walker Edison—W60SO14D Assembly Instructions.” Found online Jun. 19, 2020 at www.walkeredison.com. Page dated May 8, 2018. Retrieved from URL: https://www.walkeredison.com/uploads/5/8/2/2/58227457/ai-w60soi4d-_%C2%AE_version_050818_n.pdf (Year: 2018).*

(Continued)

(73) Assignee: **WALKER EDISON FURNITURE COMPANY LLC**, West Jordan, UT (US)

(**) Term: **15 Years**

Primary Examiner — Mary Ann Calabrese

Assistant Examiner — Katelin G Kloberg

(21) Appl. No.: **29/677,724**

(74) *Attorney, Agent, or Firm* — Workman Nydegger

(22) Filed: **Jan. 23, 2019**

(51) **LOC (12) Cl.** **06-04**

(52) **U.S. Cl.**

USPC **D6/657**

(58) **Field of Classification Search**

USPC D6/657, 660, 661, 662.1, 669, 671,
D6/671.1, 675

CPC A47B 81/06; A47B 96/02; A47B 63/00;
A47F 5/00

See application file for complete search history.

(57) **CLAIM**

The ornamental design for a console, as shown and described.

DESCRIPTION

FIG. 1 is a front perspective view of a console showing the new design;

FIG. 2 is a front elevation view thereof;

FIG. 3 is a back elevation view thereof;

FIG. 4 is a top plan view thereof;

FIG. 5 is a bottom plan view thereof;

FIG. 6 is a right elevation view thereof; and,

FIG. 7 is a left elevation view thereof.

The broken lines in the drawings are for the purpose of illustrating portions of the article that form no part of the claimed design.

The transparent shelf in the center of the console can be made of glass or any other transparent material.

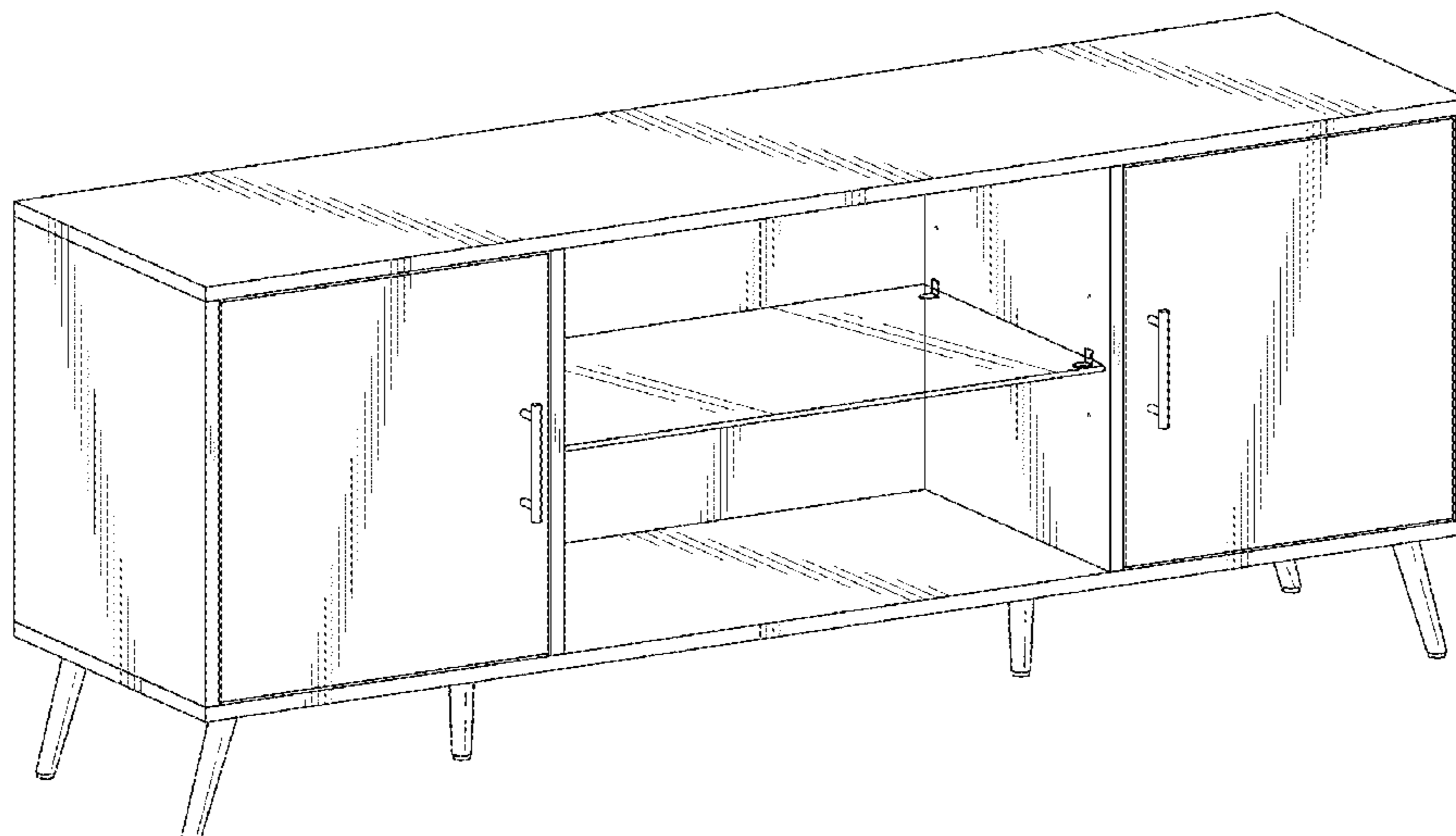
(56) **References Cited**

U.S. PATENT DOCUMENTS

245,925 A 8/1881 Kinsley
309,799 A 12/1884 Poulson
887,168 A 5/1908 Will
1,097,697 A 5/1914 Weston
D47,441 S 6/1915 Ullin
D47,600 S 7/1915 Koch
D61,344 S 8/1922 Mayer
1,475,088 A 11/1923 Specht et al.
D64,390 S 4/1924 Arons
D64,922 S 6/1924 Naill
D66,028 S 11/1924 Lyons et al.

(Continued)

1 Claim, 4 Drawing Sheets



(56)

References Cited

U.S. PATENT DOCUMENTS

D66,889 S	3/1925	Schleicher	D336,392 S	6/1993	Whalen
1,538,393 A	5/1925	Martin	D347,754 S	6/1994	Mehlin
D68,065 S	8/1925	Schleicher	D348,576 S	7/1994	Narramore
D68,659 S	11/1925	Smith	D348,726 S	7/1994	Wilson
D78,127 S	3/1929	Schleicher	D353,960 S	1/1995	Barfield
D103,250 S	2/1937	Parrish	5,409,122 A	4/1995	Lazarus
D120,370 S	5/1940	Bach	5,452,812 A	9/1995	Niequist
2,207,307 A	7/1940	Teller	D363,176 S	10/1995	Berry
D165,241 S	11/1951	Porter	D363,841 S	11/1995	Nourse
D166,077 S	3/1952	Haas	D364,055 S	11/1995	Pakla
2,696,419 A	12/1954	Wallance	D364,064 S	11/1995	Lorenz
D175,869 S	10/1955	Trout	5,463,966 A	11/1995	Nilsson
2,743,720 A	5/1956	Dollinger	D365,472 S	12/1995	Rehnberg
D182,832 S	5/1958	Lubberts	D366,110 S	1/1996	Darr
D182,836 S	5/1958	Lubberts	D367,383 S	2/1996	Hatrck-Smith
2,850,346 A	9/1958	Holderle	D373,693 S	9/1996	Elhage
D186,115 S	9/1959	Church	5,628,256 A	5/1997	Lazarus
2,918,176 A	12/1959	Bell	D384,227 S	9/1997	Grosfillex
D187,232 S	2/1960	Matyas	D385,431 S	10/1997	Lee
D188,196 S	6/1960	Lubberts	5,695,081 A	12/1997	Alkalay
D188,197 S	6/1960	Swarts	D389,343 S	1/1998	Van Der Merwe
3,039,621 A	6/1962	Pilcher	D390,936 S	2/1998	French
D193,516 S	9/1962	Deaton	5,752,500 A	5/1998	Jamieson
D195,726 S	7/1963	Harper	5,782,231 A	7/1998	Wade
D196,451 S	10/1963	McMullen	D398,788 S *	9/1998	Schubert D34/20
3,217,671 A	11/1965	Walsh	5,833,084 A	11/1998	Chang
3,272,582 A	9/1966	Mack	D403,529 S	1/1999	De Blaay
3,354,878 A	11/1967	Balls	D404,937 S	2/1999	Tarlow
D220,704 S	5/1971	Kramer	D407,577 S	4/1999	Dorst
3,589,746 A	6/1971	Inglis	D408,174 S	4/1999	Aspenwall
RE27,186 E	10/1971	Ferdinand	D420,114 S	2/2000	Johnson
RE27,200 E	10/1971	Ferdinand et al.	D423,810 S	5/2000	Dorst
3,688,707 A	9/1972	Maurice	D423,813 S	5/2000	Paus
3,762,789 A	10/1973	Robertson	D425,330 S	5/2000	O'Hare
3,766,863 A	10/1973	Swick	6,074,029 A	6/2000	Snoke
D230,446 S	2/1974	Price	D428,609 S	7/2000	Williams
D233,294 S	10/1974	Goulder	D430,431 S	9/2000	Walter
D236,676 S	9/1975	Urti	D440,079 S	4/2001	Wohlford
D236,781 S	9/1975	Cowley	D448,203 S	9/2001	Jeup
D238,277 S	12/1975	Parker	D449,184 S	10/2001	Cain
D239,352 S	3/1976	Petrick	D450,492 S	11/2001	Sabo
D240,381 S	7/1976	Tazaki	D452,624 S	1/2002	de Blois
D244,112 S	4/1977	Friedman	D454,264 S	3/2002	Patik
D244,113 S	4/1977	Friedman	D454,732 S	3/2002	Frenkler
D248,429 S	9/1978	Robinson	D455,916 S	4/2002	Fluhrer
D249,429 S	9/1978	Robinson	6,393,207 B1	5/2002	Martin
D249,860 S	10/1978	Ungaro	D462,008 S	8/2002	Stone
4,182,244 A	1/1980	Hutchins	D466,333 S	12/2002	Hwang
D259,316 S	5/1981	Offredi	6,515,262 B1	2/2003	Li
D262,847 S	2/1982	Keller	D473,404 S	4/2003	De Blois
D267,532 S	1/1983	Platner	D475,225 S	6/2003	McBrayer
D269,754 S	7/1983	Kates	D477,160 S	7/2003	Grosfillex
D270,858 S	10/1983	McInnes	D478,432 S	8/2003	Juneau
D273,829 S	5/1984	Desnoyers	D479,925 S	9/2003	Hsieh
D274,152 S	6/1984	Fleming	D485,450 S	1/2004	Smith
D281,901 S	12/1985	Demrick	D485,709 S	1/2004	de Blois
D283,182 S	4/1986	Marshall	D486,015 S	2/2004	De Blois
D283,343 S	4/1986	Haythornthwaite	D492,989 S	7/2004	Beck
D289,474 S	4/1987	Underwood	D495,898 S	9/2004	Walker
D293,177 S	12/1987	Hamami	6,789,859 B1	9/2004	Ho
D293,521 S	1/1988	Handler	D497,741 S	11/2004	Sexton
D303,596 S	9/1989	Goetz	D499,274 S	12/2004	Juneau
D304,982 S	12/1989	Bush	D499,281 S	12/2004	Yamaguchi
D305,930 S	2/1990	MacAleese	D499,583 S	12/2004	Anderson
D306,106 S	2/1990	Bush	D502,617 S	3/2005	Chang
D319,230 S	8/1991	Sugiyama	D503,570 S	4/2005	Anderson
5,036,778 A	8/1991	Briosi	D507,428 S	7/2005	Weatherly
D319,743 S	9/1991	Grey	D510,211 S	10/2005	Welborn, Jr.
D322,184 S	12/1991	Prevedello	D519,203 S	4/2006	Haas
D325,680 S	4/1992	Kiiski	D520,779 S	5/2006	DeBlois
D327,735 S	7/1992	Smith	D522,771 S	6/2006	Berry
D328,341 S	7/1992	Chiu	D522,773 S *	6/2006	Becker D6/661
D329,693 S	9/1992	Mills	D528,327 S	9/2006	O'Reilly
D330,470 S	10/1992	Bennett	D534,379 S	1/2007	Juneau
D336,184 S	6/1993	Borgen	D534,998 S	1/2007	Charnik
			D536,770 S	2/2007	Mayer
			D538,406 S	3/2007	Mayer
			D539,057 S	3/2007	Senda
			D542,059 S *	5/2007	Moyle D6/678.1

US D904,801 S

(56)

References Cited

U.S. PATENT DOCUMENTS

D543,057 S	5/2007	Grady		D696,758 S	12/2013	Ernst
D543,728 S	6/2007	Becker		8,607,776 B2	12/2013	Jansson
D548,488 S	8/2007	Weatherly		8,813,656 B1	8/2014	Hazzard
D548,490 S	8/2007	Becker		D716,288 S	10/2014	O'Heron
D549,991 S	9/2007	Stravitz		D717,081 S	11/2014	Dworman
D553,879 S	10/2007	Juneau		D717,569 S	11/2014	Davis
D554,393 S	11/2007	Yalif		D718,956 S	12/2014	Helser
D555,397 S	11/2007	Yalif		D718,957 S	12/2014	Heiser
D559,017 S	1/2008	Domack		D719,384 S	12/2014	Sowers
D559,583 S	1/2008	Zambelli		D720,563 S	1/2015	Burden
D559,584 S	1/2008	Zambelli		D723,148 S	2/2015	Lawrence
D559,585 S	1/2008	Lara		D723,843 S	3/2015	Lai
D560,077 S	1/2008	Zambelli		9,004,060 B2	4/2015	Benedetti
D560,396 S	1/2008	Weatherly		D728,975 S	5/2015	Park
D560,403 S	1/2008	Domack		D730,089 S	5/2015	Carbone
D560,930 S	2/2008	Woodward		D731,823 S	6/2015	Kelinske
D561,317 S	2/2008	Ou		D736,012 S	8/2015	Davis
D562,597 S	2/2008	Weatherly		D737,418 S	8/2015	Hrydovyy
D564,789 S	3/2008	deCarolis		D738,477 S	9/2015	Nemes
D567,346 S	4/2008	Lin		D738,647 S	9/2015	Muller
D587,483 S	3/2009	Zambelli		D741,090 S	10/2015	Ward
D587,484 S	3/2009	Domack		D741,630 S	10/2015	Meissner
D587,497 S	3/2009	Zambelli		D742,142 S	11/2015	Everson
D588,831 S	3/2009	Mohundro		D742,662 S	11/2015	Muller
D589,280 S	3/2009	Zambelli		D743,192 S	11/2015	Davis
D591,533 S	5/2009	Karsson		D746,614 S	1/2016	Sheppard
D592,432 S	5/2009	Sexton		D747,123 S	1/2016	Zambelli
7,530,538 B2	5/2009	Whalen		D747,788 S	1/2016	Baker
D593,776 S	6/2009	Sexton		D747,900 S	1/2016	Sheppard
D594,248 S *	6/2009	Zambelli	D6/661	9,228,742 B2	1/2016	Akiyama
D595,979 S	7/2009	Schweikarth		D748,768 S	2/2016	Stanton
D598,672 S	8/2009	Maly		D752,905 S	4/2016	Healy
D604,546 S	11/2009	Alman		D753,930 S	4/2016	Vengadakrishnan
D605,874 S	12/2009	Zambelli		D757,350 S	5/2016	Levy
D606,331 S *	12/2009	Wicha	D6/657	D758,766 S	6/2016	Kirar
D609,503 S	2/2010	Hayes		D759,997 S	6/2016	Ruiz
D611,727 S	3/2010	Vail		D767,752 S	9/2016	Davis
D614,888 S	5/2010	Sexton		D767,753 S	9/2016	Edmund
D618,015 S	6/2010	Sexton		D768,413 S	10/2016	Huang
D618,016 S	6/2010	Metcalf		D773,862 S	12/2016	Davis
D620,278 S	7/2010	Zambelli		D775,866 S	1/2017	Ben Avi
D620,283 S	7/2010	Calco		D777,479 S	1/2017	Anderson
D622,834 S	8/2010	Jiang		D778,641 S	2/2017	Anderson
D623,442 S	9/2010	Zambelli		D778,646 S	2/2017	Davis
D623,876 S	9/2010	Zambelli		D783,324 S	4/2017	Akana
D623,877 S	9/2010	Zambelli		D791,302 S	7/2017	Davis
D625,123 S	9/2010	Zambelli		D791,522 S	7/2017	Rodd
D630,453 S	1/2011	Rafieha		D792,132 S	7/2017	Peota
D632,902 S	2/2011	Rafieha		D793,776 S	8/2017	Davis
D638,922 S	5/2011	Zhou		D798,640 S	10/2017	Anderson
7,934,494 B1	5/2011	Schneider		D804,861 S	12/2017	Failing
D640,072 S	6/2011	Sexton		D807,671 S	1/2018	Caillouet
D641,861 S	7/2011	Okamoto		D808,203 S	1/2018	Davis
D644,853 S	9/2011	Becker		D808,688 S	1/2018	Everson
D653,051 S	1/2012	Lin		D808,690 S	1/2018	Hsu
D653,739 S	2/2012	Gibbs		D812,938 S	3/2018	Moore
D654,289 S	2/2012	Zambelli		D814,410 S	4/2018	Emslie
D654,995 S	2/2012	Asofsky		D815,465 S	4/2018	Hannoosh
D654,996 S	2/2012	Asofsky		D817,037 S	5/2018	Davis
D655,946 S	3/2012	Sexton		D817,038 S	5/2018	Davis
D658,750 S	5/2012	Nemes		D817,040 S	5/2018	Davis
D663,137 S	7/2012	Andersen		D817,666 S	5/2018	Davis
D663,138 S	7/2012	Andersen		D817,667 S	5/2018	Davis
D665,897 S	8/2012	Martin		D818,750 S	5/2018	Hannoosh
D666,281 S	8/2012	Nemes		D821,038 S	6/2018	Rathman
D667,654 S	9/2012	Lenney		D824,703 S	8/2018	Yamamoto
D668,475 S	10/2012	Zambelli		D825,233 S	8/2018	Yamamoto
D669,704 S	10/2012	Zambelli		D825,959 S	8/2018	Rockwell
D669,706 S	10/2012	Zambelli		D833,782 S	11/2018	Amacher
D669,707 S	10/2012	Zambelli		D834,354 S	11/2018	Davis
D670,105 S	11/2012	Jespersen		D834,355 S	11/2018	Davis
D674,891 S	1/2013	Huang		D835,437 S	12/2018	Stukenberg
D675,716 S	2/2013	Schwartz		D835,925 S	12/2018	Denby
D687,250 S	8/2013	Weatherly		D838,523 S	1/2019	Yamamoto
D694,873 S	12/2013	Nemes		D843,756 S	3/2019	Johnson
				D845,041 S	4/2019	Davis
				D845,679 S	4/2019	Li
				D845,683 S	4/2019	Pedersen
				D848,766 S	5/2019	Chen

(56)

References Cited

OTHER PUBLICATIONS

“Mid Century Modern TV Stand.” Found online Jun. 20, 2020 at www.amazon.com. Product first available Jun. 16, 2020. Retrieved from URL: <https://tinyurl.com/y7qolcv7> (Year: 2020).

“Pemberly Row Modern Mid Century Entertainment TV Stand.” Found online Jun. 20, 2020 at www.amazon.com. Product first available May 25, 2018. Retrieved from URL: <https://tinyurl.com/y9affau7> (Year: 2018).

Safavieh Furniture; <http://web.archive.org/web/20130301232929/http://safavieh.com/furniture/categories/bookcases?pg=all>; Retrieved online on Aug. 5, 2020.

Safavieh Furniture; <http://web.archive.org/web/20140713025018/http://safavieh.com/furniture/american-home/bookcases/amh6525a>; Retrieved online on Aug. 5, 2020.

Amarah Mid Century Modern Wood TV Stand by Christopher Knight Home; <https://web.archive.org/web/20181102021725/https://www.overstock.ca/Home-Garden/Amarah-Mid-century-Modern-Wood-TV-Stand-by-Christopher-Knight-Home/18108793/product.html>; Retrieved online on Aug. 5, 2020.

Gemini Wood Contemporary TV Stand; <https://web.archive.org/web/20160423180238/https://www.target.com/p/gemini-wood-contemporary-tv-stand-walnut-white-66-baxton-studio/-/A-50256043>; Retrieved online on Aug. 5, 2020.

Article SENO walnut media unit; <http://web.archive.org/web/20170610131805/https://www.article.com/product/1635/seno-walnut-63-media-unit>; Retrieved online on Aug. 5, 2020.

Instagram post—Article Seno walnut media unit; <https://www.instagram.com/p/BhcCAZIH8-q/>; Retrieved on Aug. 5, 2020.

Convenience Concepts Designs2Go Oslo TV Stand; <https://www.amazon.ca/Convenience-Concepts-Designs2Go-Stand-White/dp/B011RACHQ6/?th=1>; Retrieved online on Aug. 5, 2020.

Houzz_Rowan_Mid-Century Modern Two-Toned TV Stand; <https://www.houzz.com/products/rowan-mid-century-modern-two-toned-tv-stand-white-oak-prvw-vr-74489612>; Retrieved online on Aug. 21, 2020.

Focus on Furniture, Lowline TV Units; <https://web.archive.org/web/20170218071314/https://www.focusonfurniture.com.au/living-room/lowline-tv-units/>; Retrieved on Aug. 21, 2020.

Office Action for U.S. Appl. No. 29/654,930, dated Aug. 21, 2020.

Restriction Requirement for 29/698919, dated Aug. 27, 2020.

Office Action for U.S. Appl. No. 29/677,755, dated Aug. 27, 2020.

Foundry Arsenault End Table, www.wayfair.com [online]. Published on or before Aug. 15, 2020, [retrieved on Aug. 15, 2020], Retrieved from the Internet: <URL:<https://www.wayfair.ca/furniture/pdp/foundry-select-arsenault-4-legs-end-table-c003160002.html?piid=1664365403>> (Year: 2020).

Office Action for U.S. Appl. No. 29/698,928, dated Aug. 28, 2020.

Notice of Allowance for U.S. Appl. No. 29/698,940, dated Aug. 28, 2020.

Rustic Farmhouse Corner TV Stand With Barn Doors, Little Rustic Shop, site visited Aug. 24, 2020, available online at <https://littlerusticshop.com/collections/frontpage/products/rustic-farmhouse-corner-tv-stand-with-barn-doors> (Year: 2020).

Office Action for U.S. Appl. No. 29/698,947, dated Aug. 31, 2020.

White Eliza TV Stand With Fireplace Insert, Owens Home Furnishings, site visited Aug. 25, 2020, available online at <https://www.owensfurniture.com/eliza-white-barn-door-tv-stand-70/> (Year: 2020).

Office Action for U.S. Appl. No. 29/698,942, dated Aug. 31, 2020.

Office Action for U.S. Appl. No. 29/677,761, dated Sep. 1, 2020.

Foundry Select Arsenault Coffee Table, www.wayfair.ca [online]. Published on or before Aug. 11, 2020, [retrieved on Aug. 11, 2020], Retrieved from the Internet: <URL:<https://www.wayfair.ca/furniture/pdp/foundry-select-arsenault-coffee-table-c003159996.html>> (Year: 2020).

Notice of Allowance for U.S. Appl. No. 29/699,063, dated Sep. 2, 2020.

Notice of Allowance for U.S. Appl. No. 29/699,071, dated Sep. 4, 2020.

Calie TV Stand for TVs up to 48 inches with Electric Fireplace Included; Wayfair.com; <https://www.wayfair.com/furniture/pdp/real-flame-calie-tv-stand-for-tvs-up-to-48-inches-with-electric-fireplace-included-jfp1647.html>; Retrieved on Jan. 10, 2018.

Notice of Allowance for U.S. Appl. No. 29/699,066, dated Sep. 11, 2020.

Notice of Allowance for U.S. Appl. No. 29/677,723, dated Sep. 15, 2020.

Notice of Allowance for U.S. Appl. No. 29/677,738, dated Sep. 15, 2020.

Notice of Allowance for U.S. Appl. No. 29/698,942, dated Sep. 15, 2020.

Office Action for U.S. Appl. No. 29/698,924, dated Sep. 16, 2020.

Notice of Allowance for U.S. Appl. No. 29/699,073, dated Sep. 16, 2020.

Corrected Notice of Allowance for U.S. Appl. No. 29/698942, dated Sep. 23, 2020.

Notice of Allowance for U.S. Appl. No. 29/677,723, dated Sep. 29, 2020.

Notice of Allowance for U.S. Appl. No. 29/677,738, dated Sep. 29, 2020.

Notice of Allowance for U.S. Appl. No. 29/720,732; dated Sep. 29, 2020.

Notice of Allowance for U.S. Appl. No. 29/721,435, dated Sep. 29, 2020.

Notice of Allowance for U.S. Appl. No. 29/699,071, dated Sep. 30, 2020.

Notice of Allowance for U.S. Appl. No. 29/720,923, dated Sep. 30, 2020.

Office Action for U.S. Appl. No. 29/699,078, dated Oct. 6, 2020.

“WE Furniture AZ40SWICTWMDC Coffee Table.” Found online Sep. 30, 2020 at www.amazon.com. Product first available Jan. 23, 2019 Retrieved from URL: https://www.amazon.com/-/es/Furniture-AZ40SWICTWMDC-centro-Madera-Vidrio/dp/B07N282396/ref=psdc_3733631_J2_B07CYML1LF (Year: 2019).

“Vasagle Glatal Glass Coffee Table.” Found online Sep. 30, 2020 at www.amazon.com. Product first available May 1, 2020. Retrieved from URL: <https://tinyurl.com/yxvuv2rf> (Year: 2020).

“Henn and Hart Coffe Table.” Found online Sep. 30, 2020 at www.amazon.com. Product first available Jan. 20, 2019. Retrieved from URL: https://www.amazon.com/-/es/Henn-Hart-talla-%C3%BAnica-color/dp/B07N8RRPT5/ref=psdc_3733631_t5_B07CYML1LF (Year: 2019).

* cited by examiner

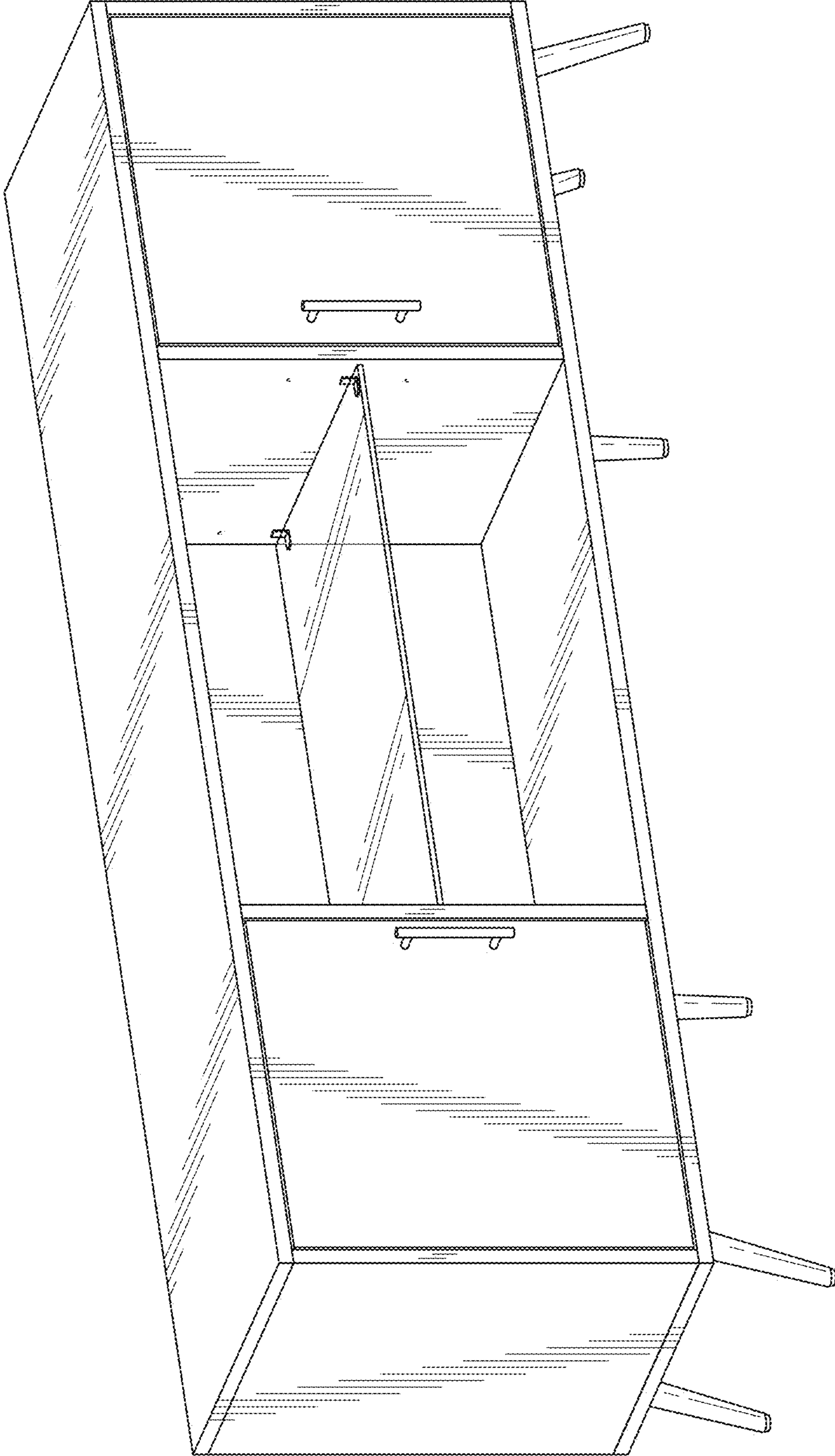


FIG. 1

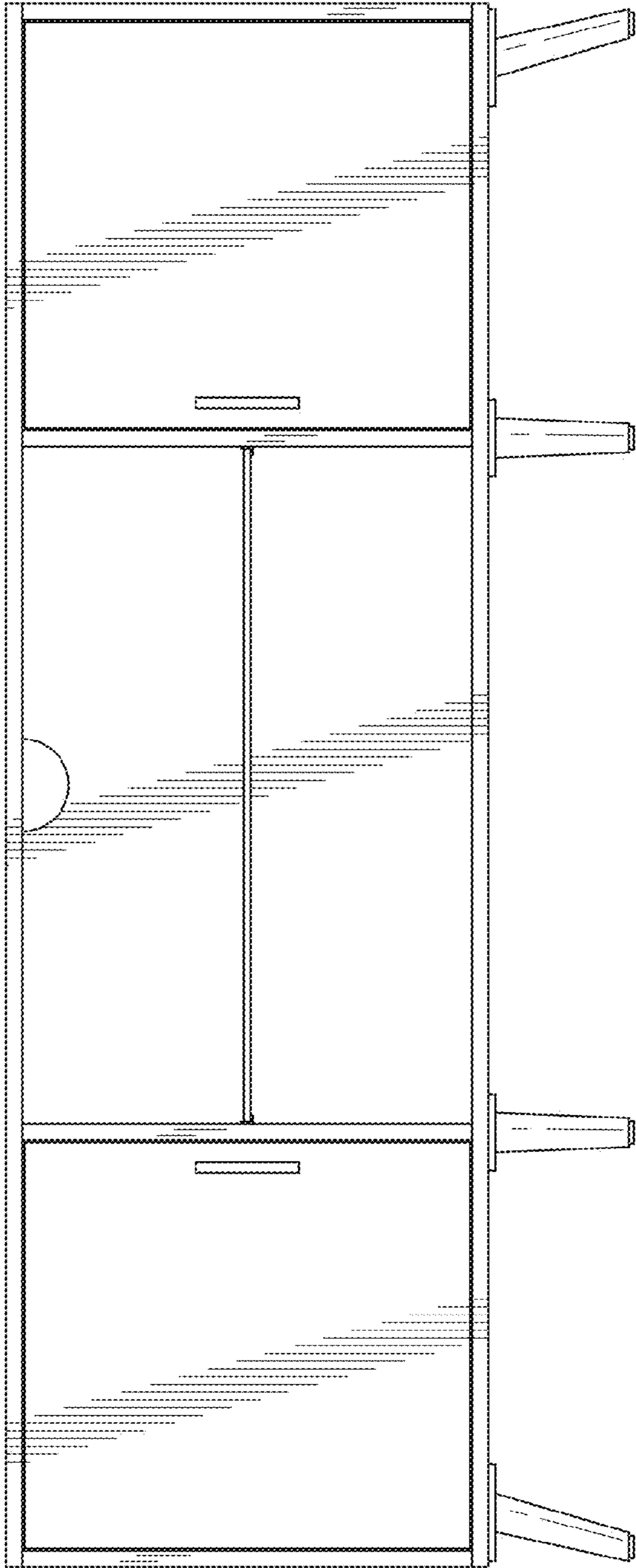


FIG. 2

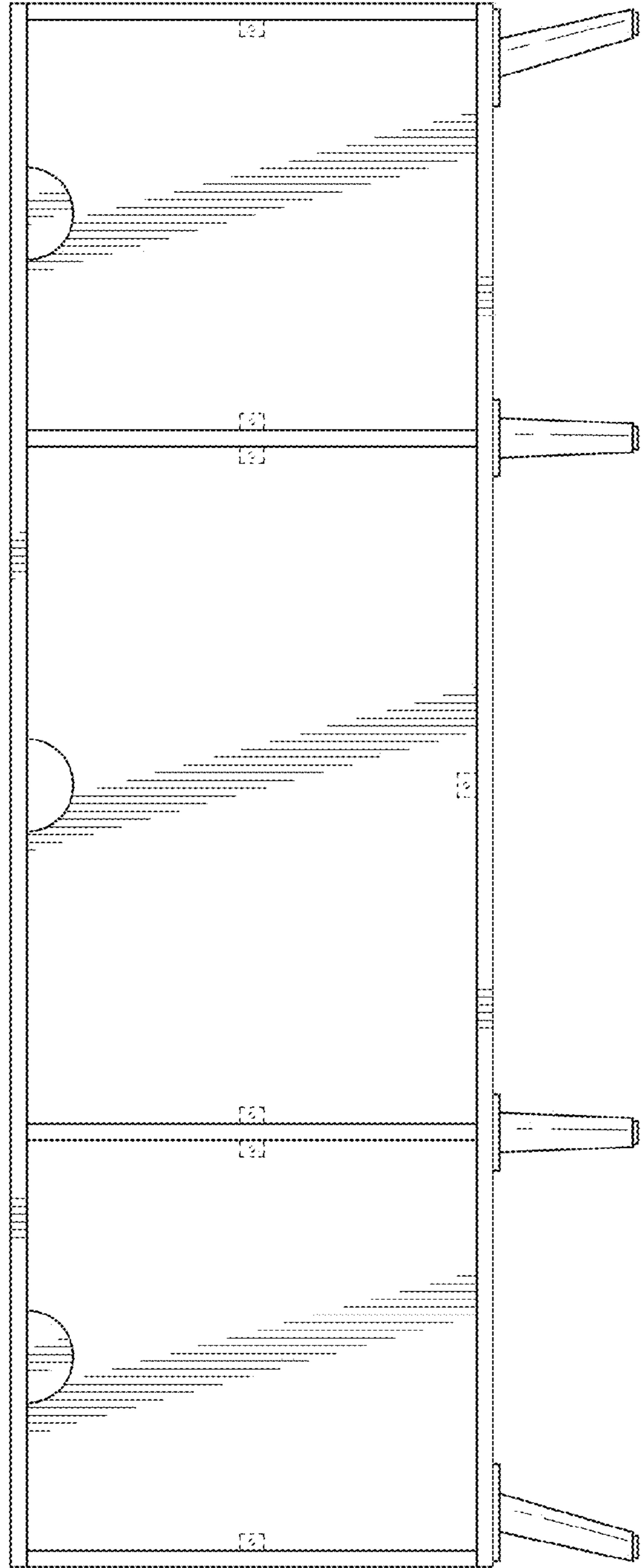


FIG. 3

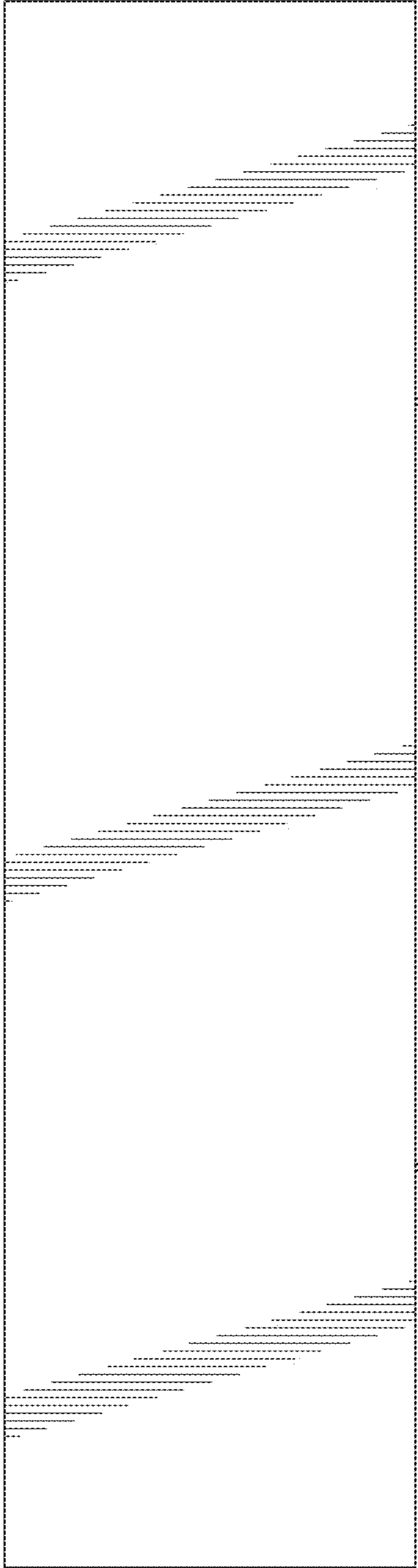


FIG. 4

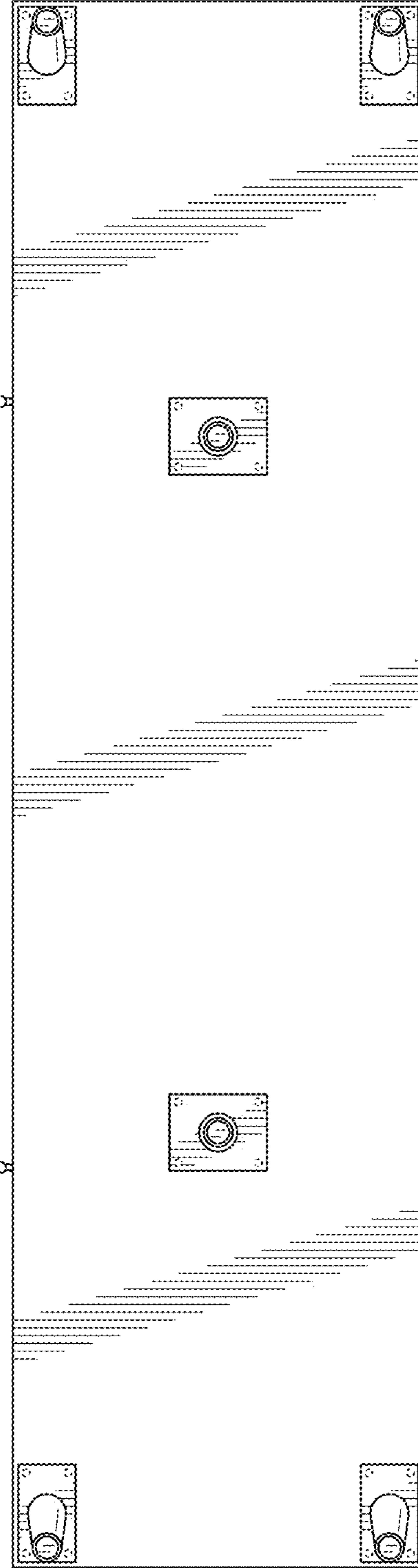


FIG. 5

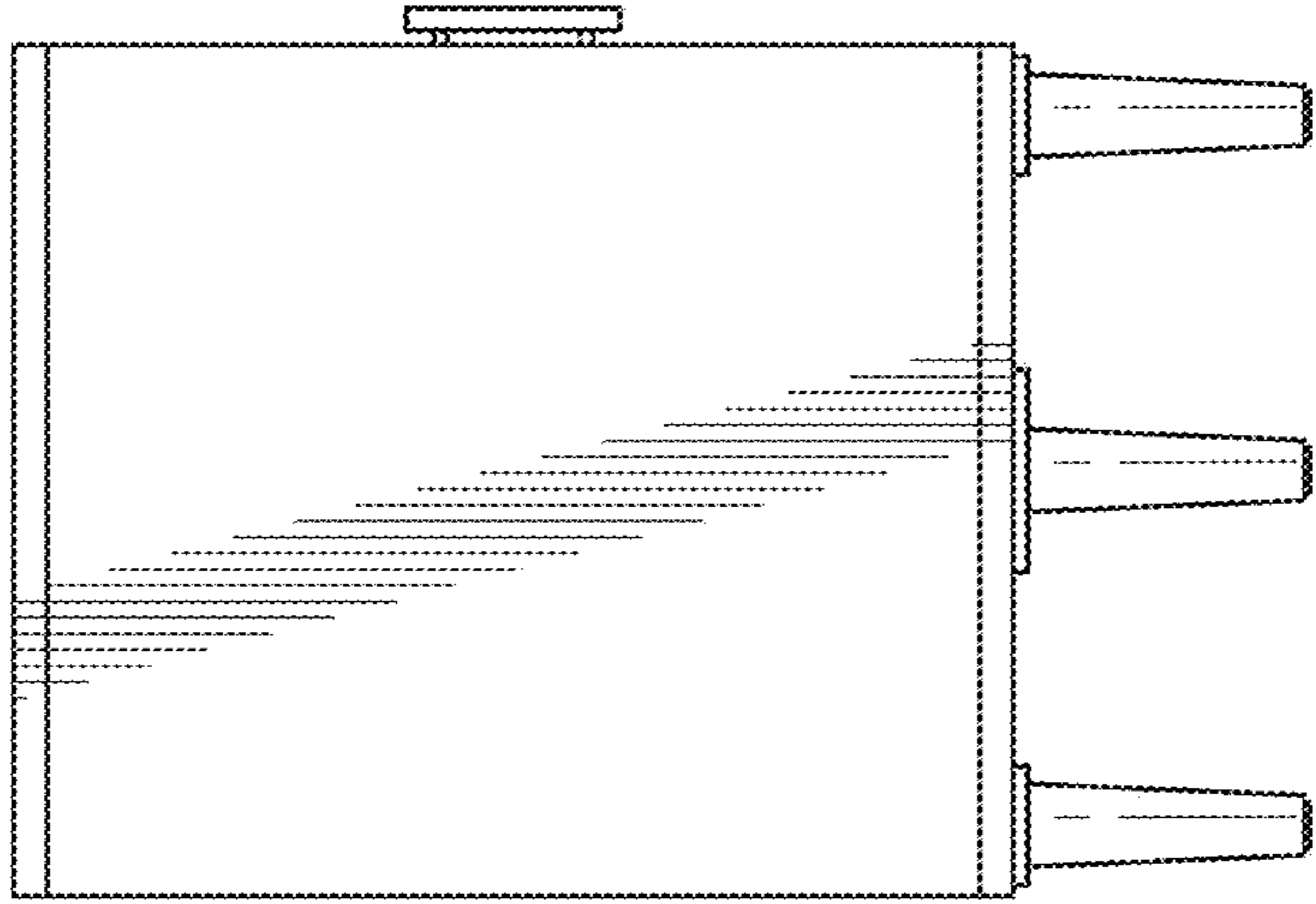


FIG. 7

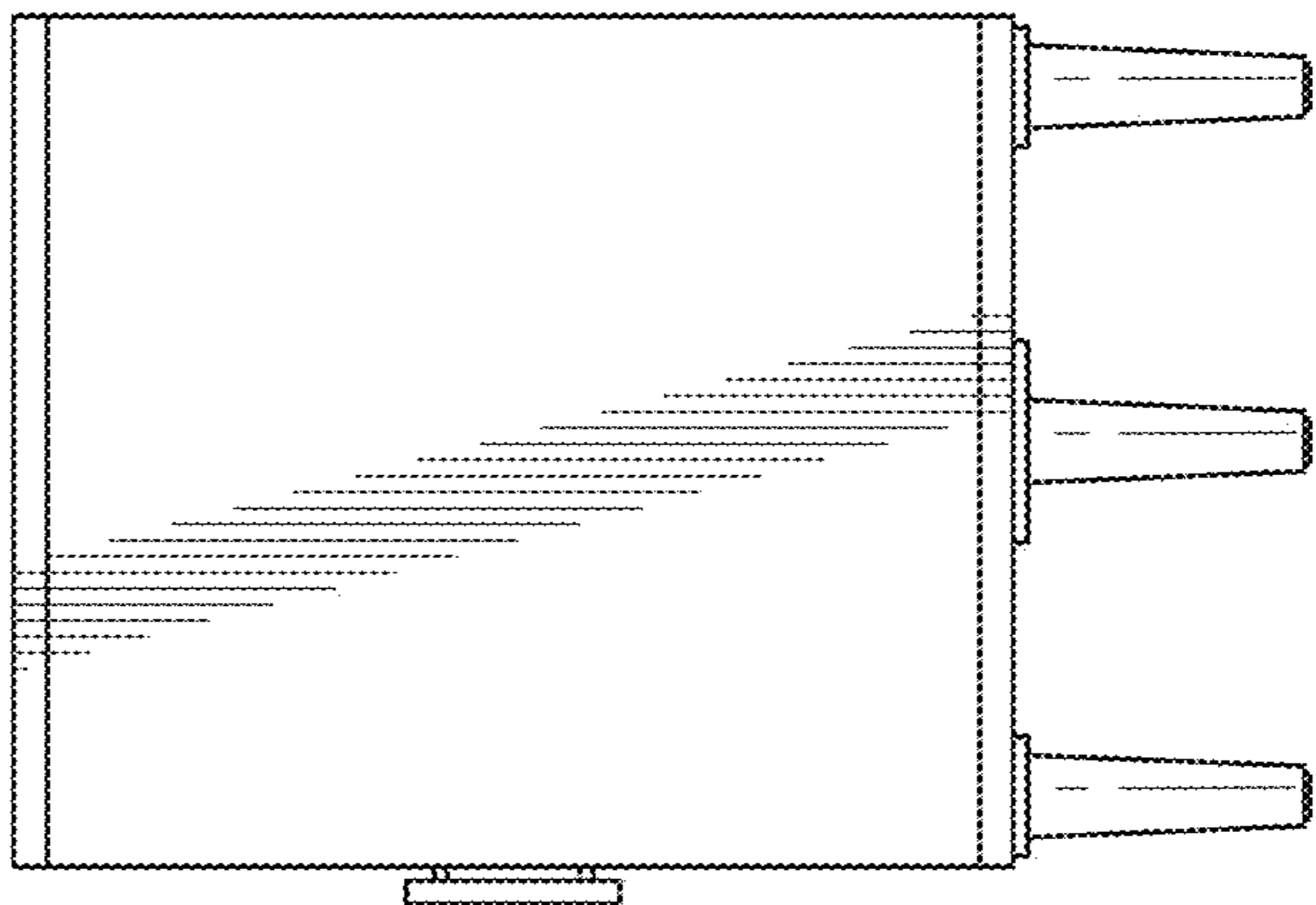


FIG. 6