



US00D904800S

(12) **United States Design Patent** (10) **Patent No.:** **US D904,800 S**
Li (45) **Date of Patent:** **** Dec. 15, 2020**

(54) **TABLE**

(71) Applicant: **39F USA INC**, Rancho Cucamonga, CA (US)

(72) Inventor: **Yuehai Li**, Rancho Cucamonga, CA (US)

(**) Term: **15 Years**

(21) Appl. No.: **29/700,235**

(22) Filed: **Jul. 31, 2019**

(51) **LOC (12) Cl.** **06-03**

(52) **U.S. Cl.**
USPC **D6/655.11**

(58) **Field of Classification Search**
USPC D6/641, 642, 653.18, 654, 654.1, 654.17, D6/654.18, 654.21, 655.18, 656, 656.13, D6/656.16, 672, 673, 675, 691.2, 691.6, D6/694
CPC .. A47B 3/00; A47B 3/08; A47B 3/083; A47B 3/087; A47B 21/00; A47B 21/02; A47B 21/03; A47B 21/06; A47B 21/0073; A47B 21/0076; A47B 21/0314
See application file for complete search history.

(56) **References Cited**

U.S. PATENT DOCUMENTS

- D91,315 S * 1/1934 Brown D6/691.6
- D101,776 S * 11/1936 Hoffman D6/691.6
- D104,153 S * 4/1937 Wilson D6/691.6
- 3,217,893 A * 11/1965 Fleischman A47F 7/24
211/94.02
- D220,704 S * 5/1971 Kramer D6/691.8
- D224,636 S * 8/1972 Ball D6/691.6
- D224,637 S * 8/1972 Ball D6/641

- D361,447 S * 8/1995 Moore D6/678.4
- D438,402 S * 3/2001 Walsh D19/75
- D603,627 S * 11/2009 Wen D6/656.16
- D858,147 S * 9/2019 Li D6/655.18
- D864,211 S * 10/2019 Tuang D14/451
- D885,795 S * 6/2020 Sumlin D6/657

OTHER PUBLICATIONS

“Fivegiven Industrial Coffee Table.” Found online Sep. 29, 2020 at www.amazon.com. Product first available Aug. 6, 2018. Retrieved from URL: <https://tinyurl.com/y6ejjrb8> (Year: 2018).*

“Rustic Coffee Tables.” Found online Sep. 29, 2020 at www.amazon.com. Product first available Jan. 15, 2019. Retrieved from URL: <https://tinyurl.com/y3qfdq5g> (Year: 2019).*

“Homy Casa Inc Brown Wood.” Found online Sep. 29, 2020 at www.amazon.com. Product first available Feb. 12, 2020. Retrieved from URL: https://www.amazon.com/-/es/dp/B084Q2H5LP/ref=sbl_dp_x_B07PFRDRPN_0 (Year: 2020).*

* cited by examiner

Primary Examiner — Mary Ann Calabrese
Assistant Examiner — Katelin G Kloberg
 (74) *Attorney, Agent, or Firm* — Feng Qian

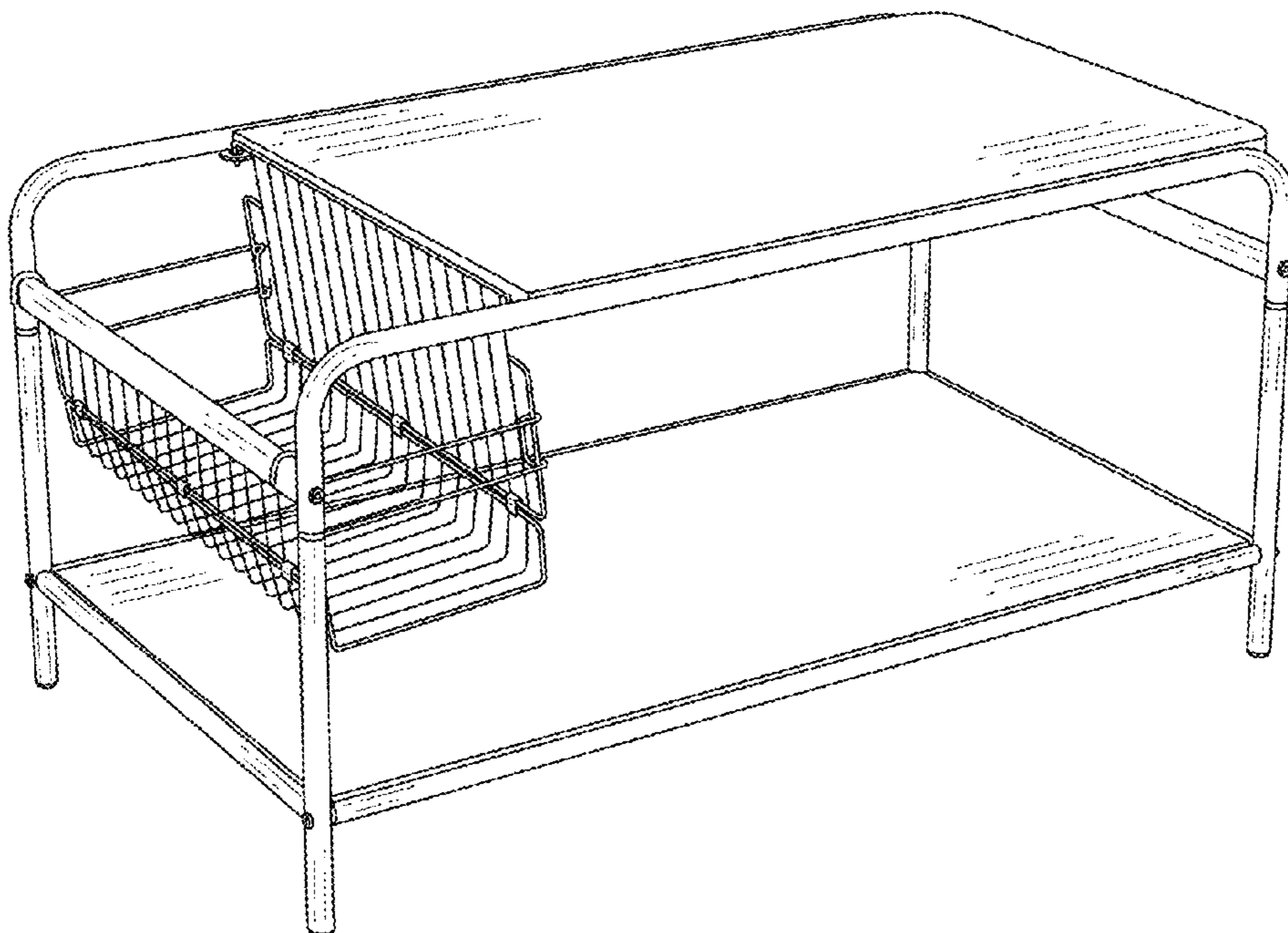
(57) **CLAIM**

The ornamental design for a table, as shown and described.

DESCRIPTION

FIG. 1 is a front perspective view of a table showing my new design;
 FIG. 2 is a front elevation view thereof;
 FIG. 3 is a rear elevation view thereof;
 FIG. 4 is a left-side elevation view thereof;
 FIG. 5 is a right-side elevation view thereof;
 FIG. 6 is a top plan view thereof; and,
 FIG. 7 is a bottom plan view thereof.

1 Claim, 7 Drawing Sheets



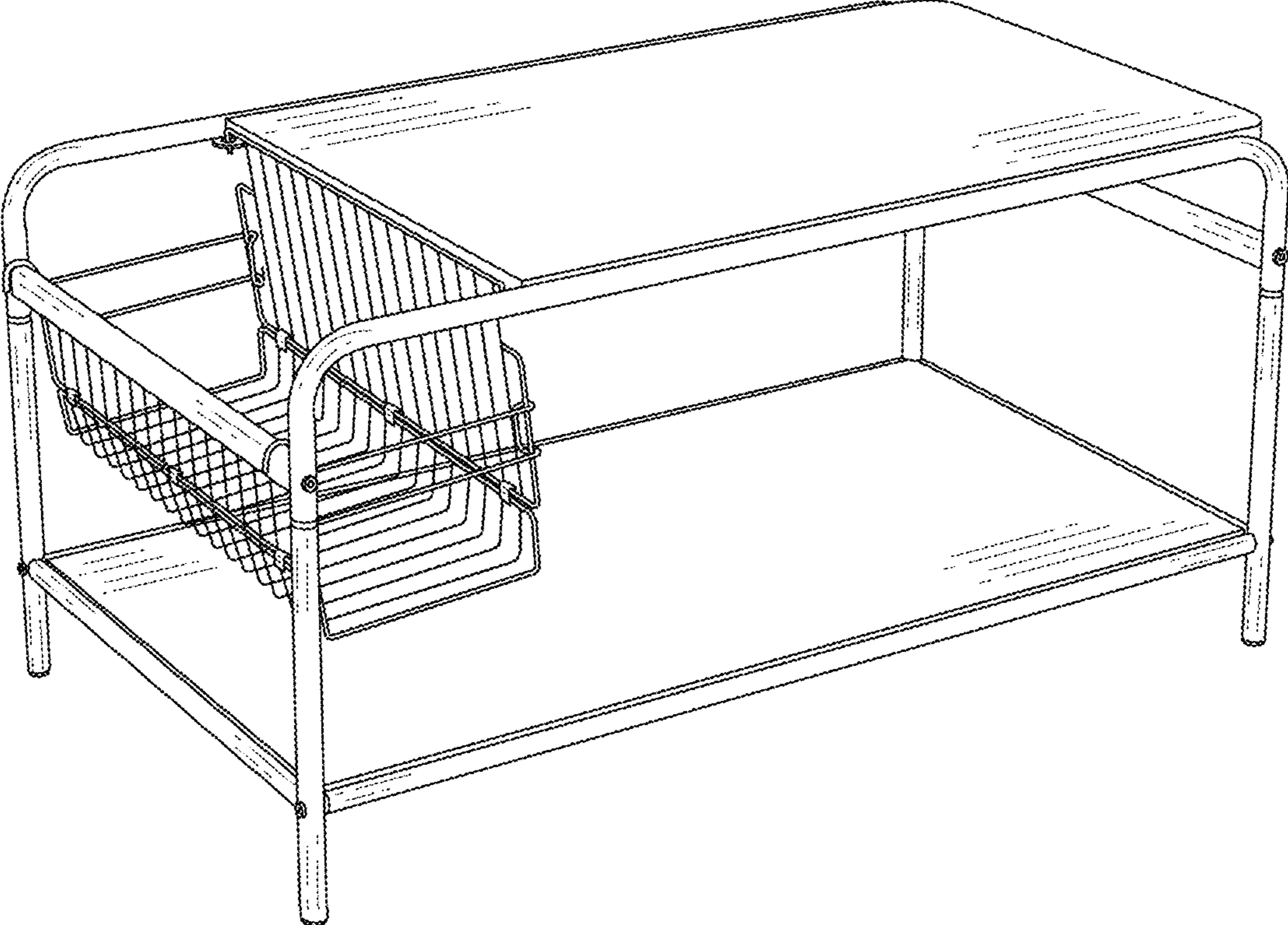


Fig.1

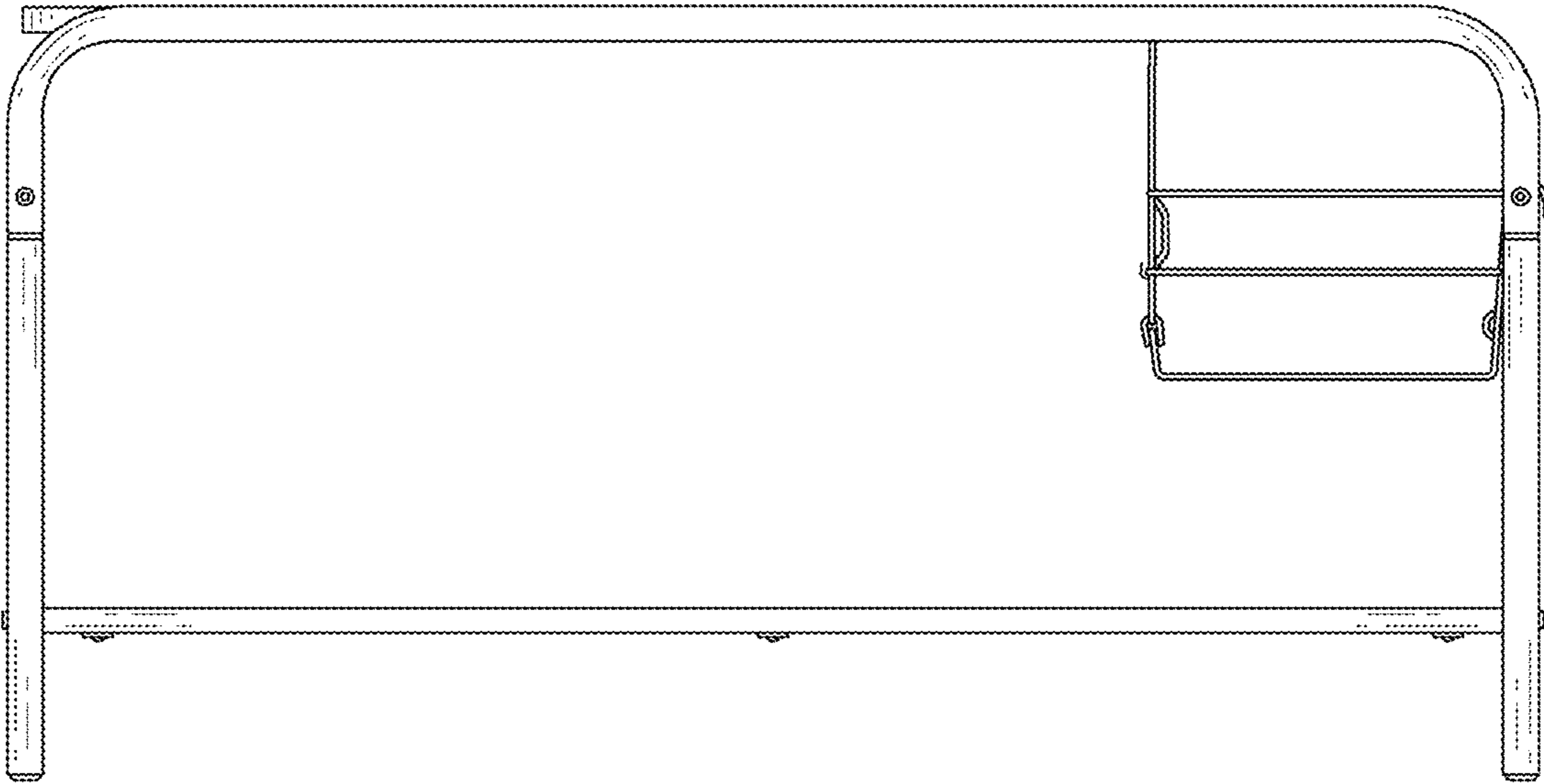


Fig.2

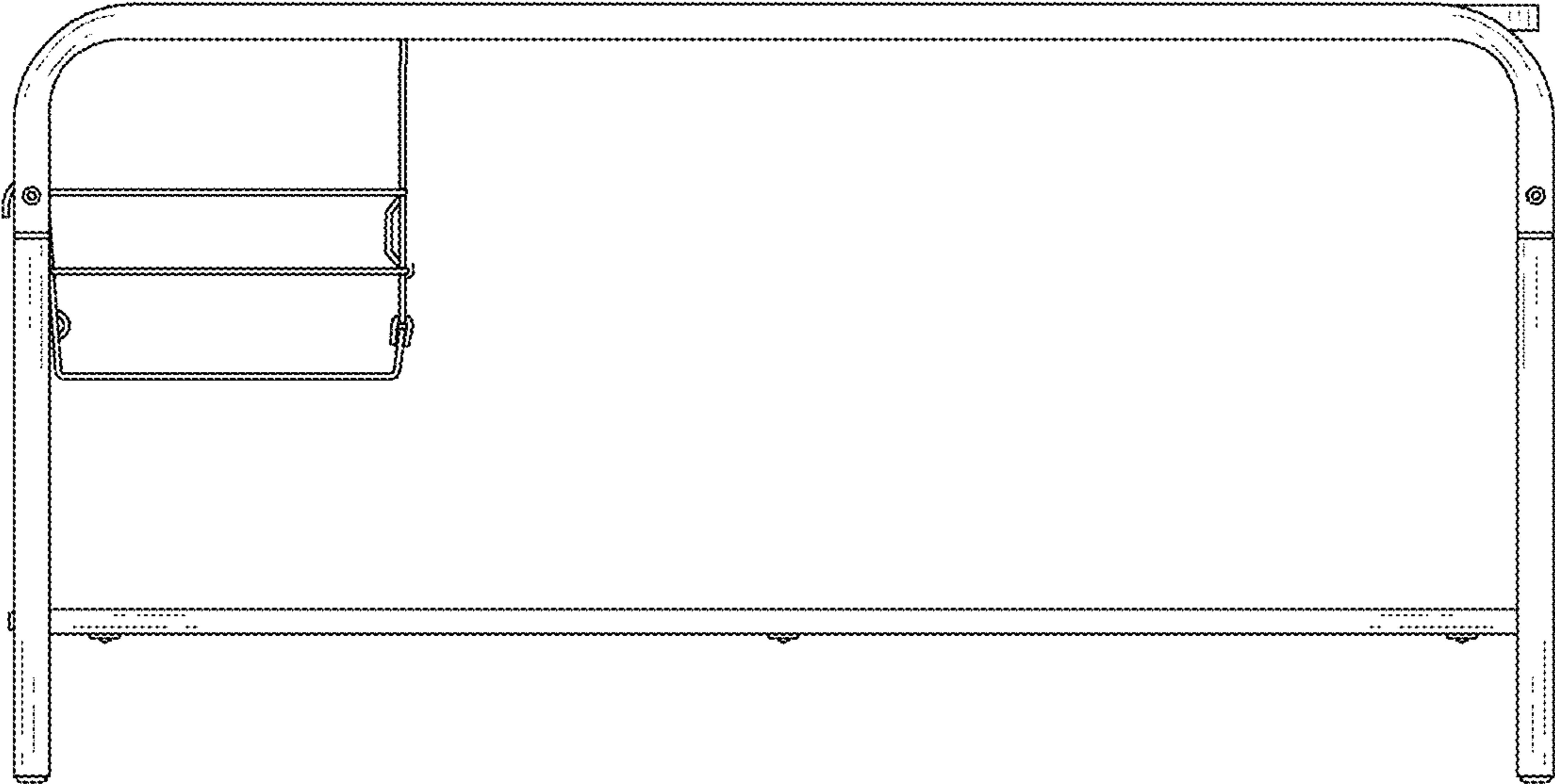


Fig.3

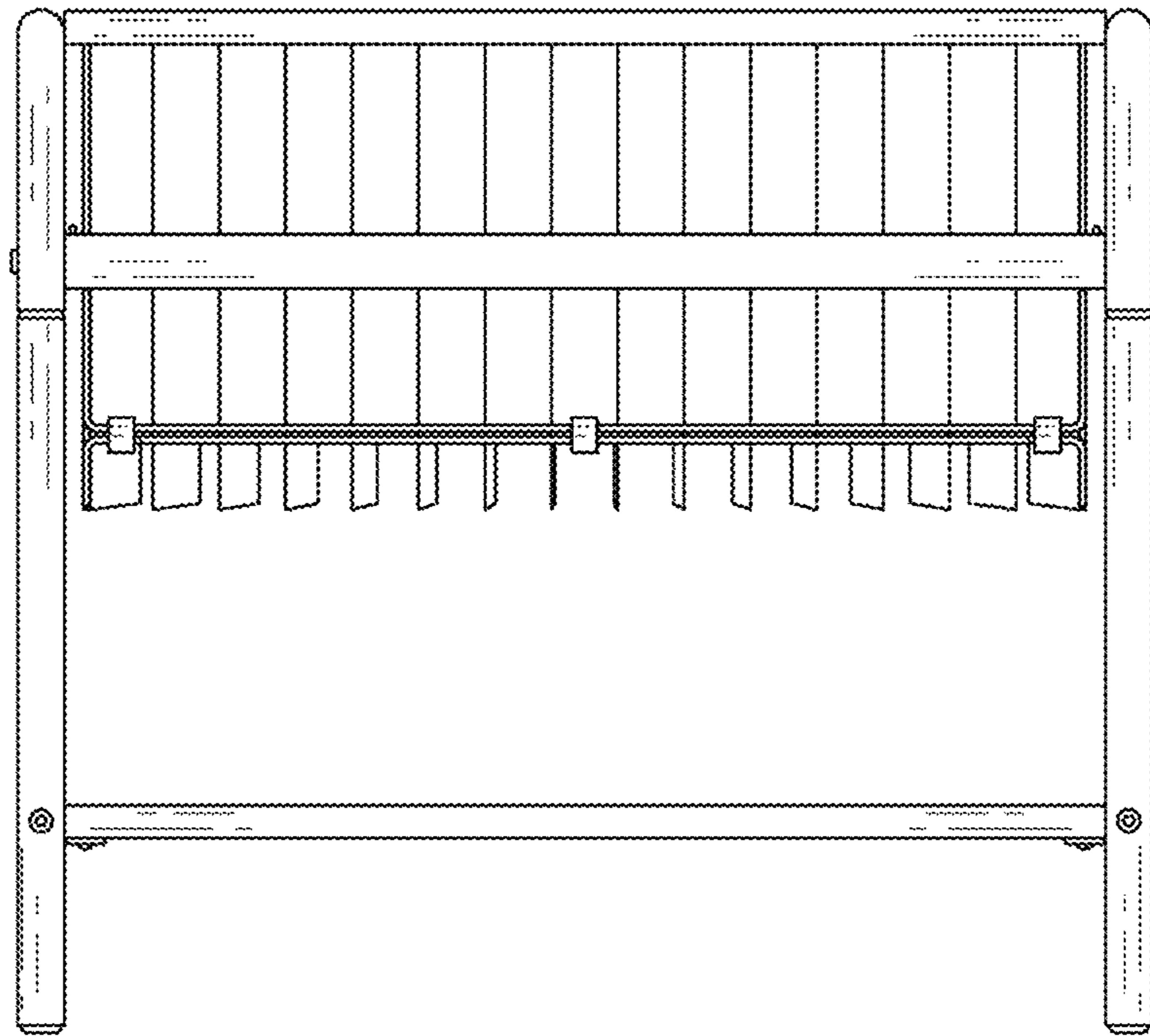


Fig.4

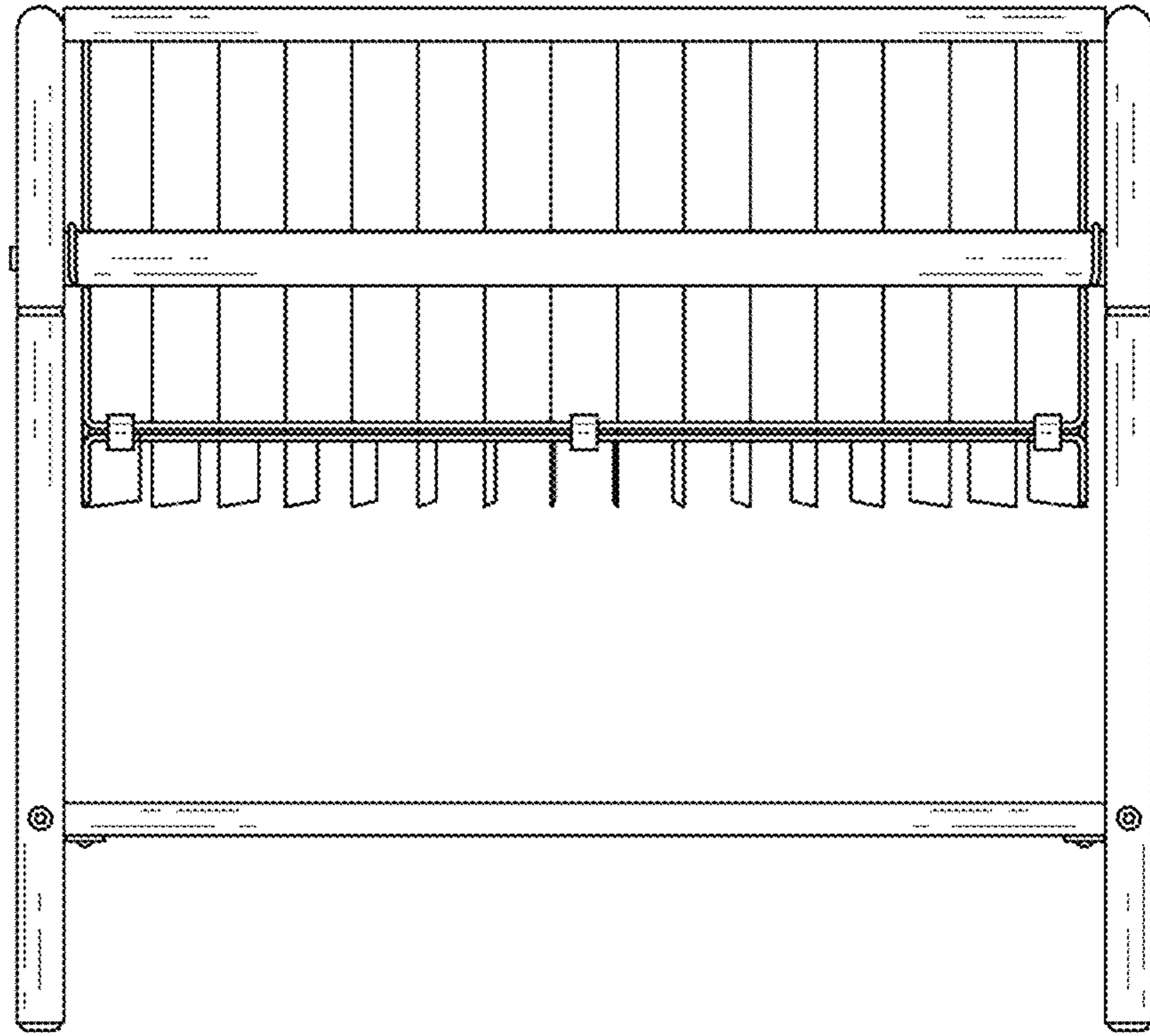


Fig.5

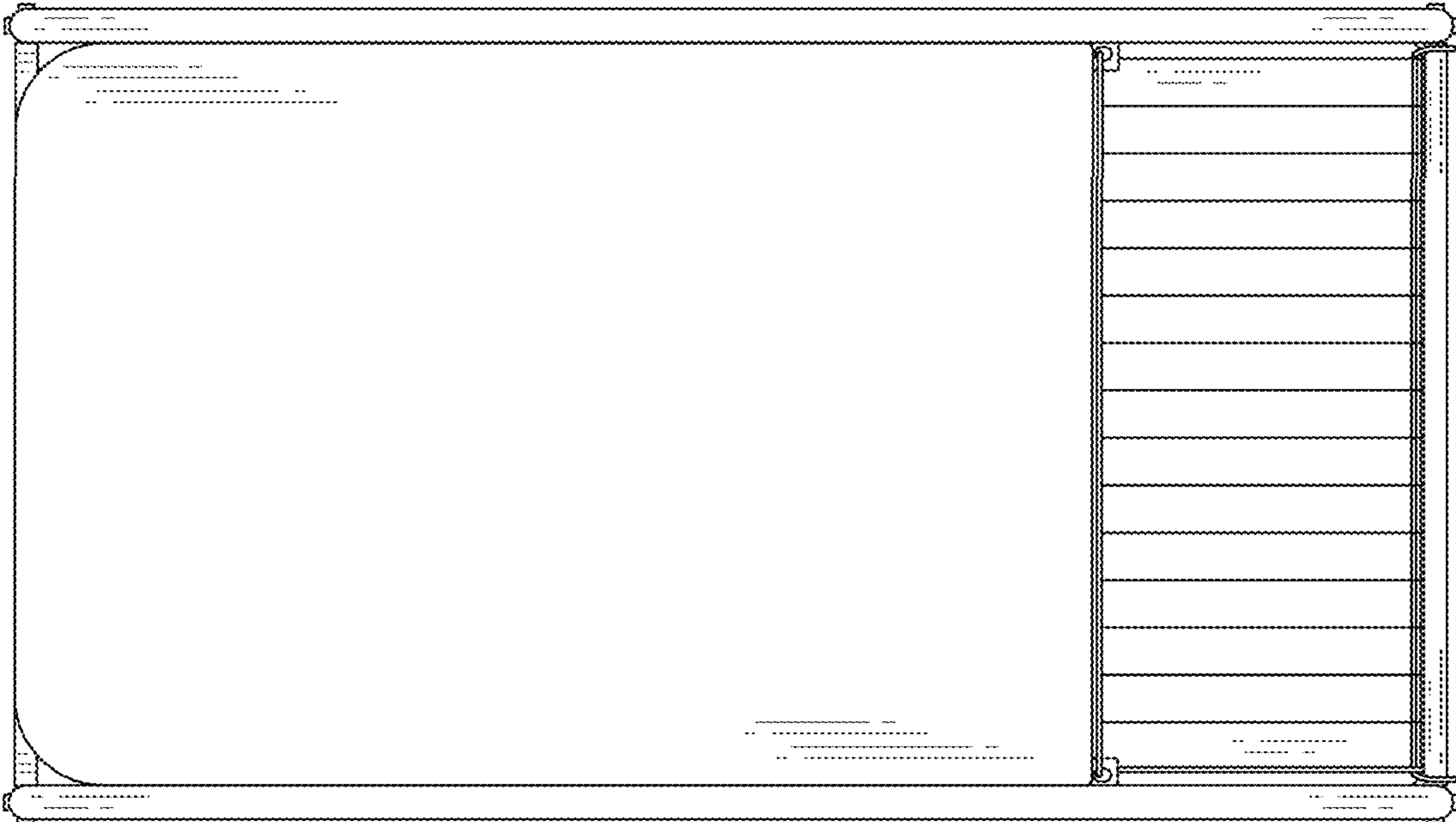


Fig.6

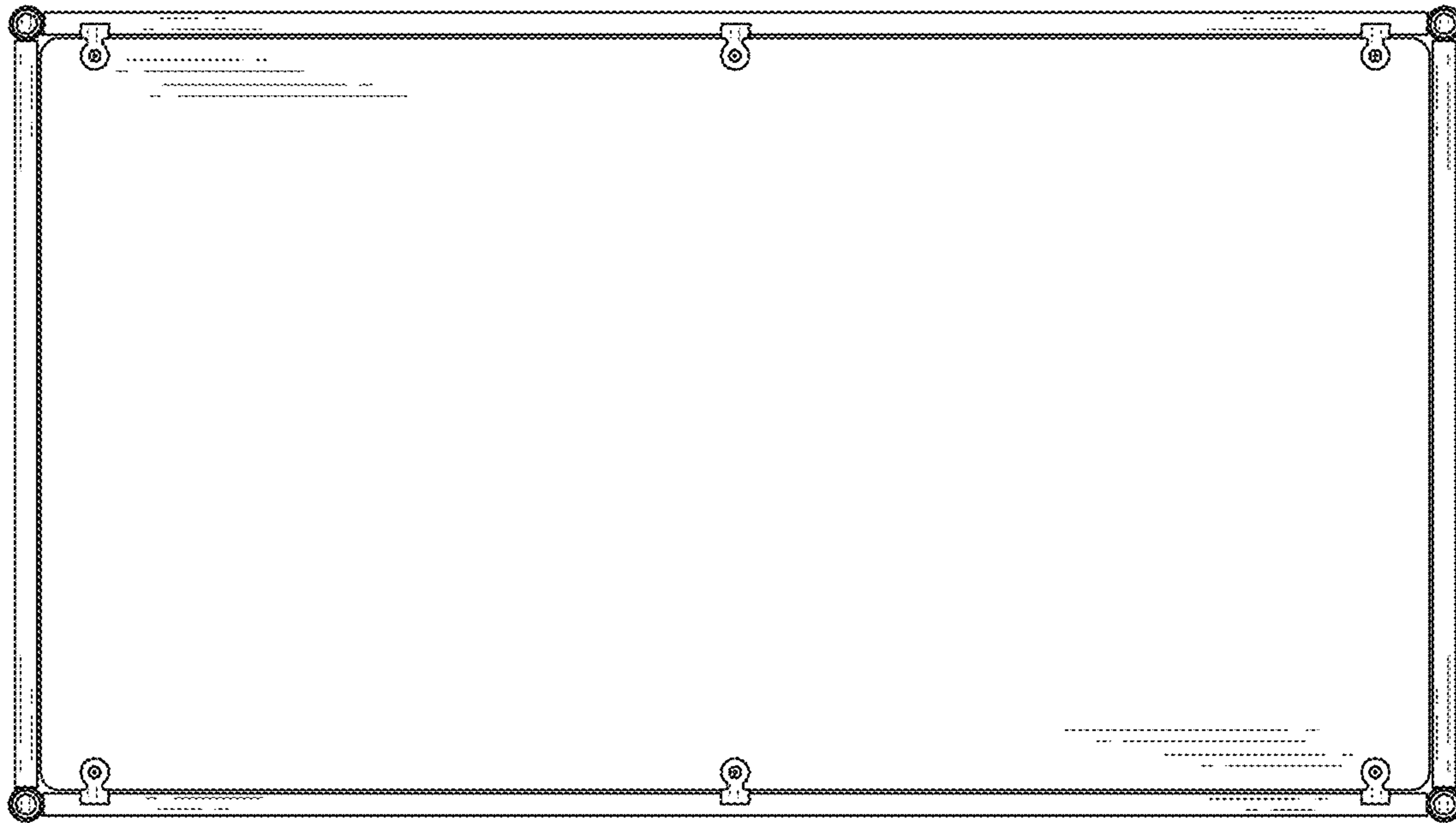


Fig.7