



US00D904799S

(12) **United States Design Patent** (10) **Patent No.:** **US D904,799 S**
Li (45) **Date of Patent:** **** Dec. 15, 2020**

(54) **DESK**
(71) Applicant: **39F USA INC**, Rancho Cucamonga, CA (US)
(72) Inventor: **Yuehai Li**, Rancho Cucamonga, CA (US)
(**) Term: **15 Years**
(21) Appl. No.: **29/697,405**
(22) Filed: **Jul. 8, 2019**
(51) **LOC (12) Cl.** **06-03**
(52) **U.S. Cl.**
USPC **D6/654.1**
(58) **Field of Classification Search**
USPC D6/329, 641, 643, 645, 646, 648.2, D6/648.3, 653, 653.1, 654, 654.1, 654.11, D6/654.18, 654.21, 662.1, 671, 672, 675, D6/691.1, 691.2, 702, 707.15
CPC .. A47B 7/00; A47B 9/00; A47B 13/00; A47B 13/02; A47B 13/04; A47B 13/06; A47B 13/08; A47B 17/00; A47B 19/00; A47B 21/00

See application file for complete search history.

(56) **References Cited**

U.S. PATENT DOCUMENTS

D42,296 S * 3/1912 Pearson D6/653
D237,231 S * 10/1975 Wells D6/672
D302,890 S * 8/1989 Ng D34/21
D330,296 S * 10/1992 Keong D6/654.11
D426,085 S * 6/2000 Shu-Fen D6/653.11
D465,941 S * 11/2002 Ko D6/653
D469,979 S * 2/2003 Wang D6/653.14
D486,669 S * 2/2004 Wang D6/653.1
D496,185 S * 9/2004 Holbrook, Jr. D6/654.18
D508,343 S * 8/2005 Pflaster D6/653.14
D547,972 S * 8/2007 Pflaster D6/655.18
9,215,924 B2 * 12/2015 Seefeldt A47B 37/00

9,532,647 B2 * 1/2017 Bedard A47B 83/04
D825,224 S * 8/2018 Maliwanag, II D6/654.1
D860,689 S * 9/2019 Davis D6/672

OTHER PUBLICATIONS

“2-Tier Desk—White.” Found online Sep. 16, 2020 at www.amazon.co.uk. Product first available Jun. 7, 2014. Retrieved from URL: <https://www.amazon.co.uk/LumiSource-OFD-TM-2TIER-W-2-Tier-Desk/dp/B00GTX61XW> (Year: 2014).*
“Tangkula 2 Tier Gaming Desk.” Found online Sep. 29, 2020 at www.amazon.com. Product first Apr. 8, 2017. Retrieved from URL: <https://tinyurl.com/y49wcbhj> (Year: 2017).*
“Tribesigns Cabana Computer Desk.” Found online Sep. 29, 2020 at www.amazon.com. Product first available Sep. 5, 2018. Retrieved from URL: <https://tinyurl.com/y5q32vy4> (Year: 2018).*
“Designa Computer Desk with Bookshelf.” Found online Sep. 28, 2020 at www.amazon.com. Product first available Sep. 11, 2019. Retrieved from URL: <https://www.amazon.com/DESIGNA-Bookshelf-Workstation-Multi-Functional-Industrial/dp/B081DXDXW1> (Year: 2019).*

* cited by examiner

Primary Examiner — Mary Ann Calabrese
Assistant Examiner — Katelin G Kloberg
(74) *Attorney, Agent, or Firm* — Feng Qian

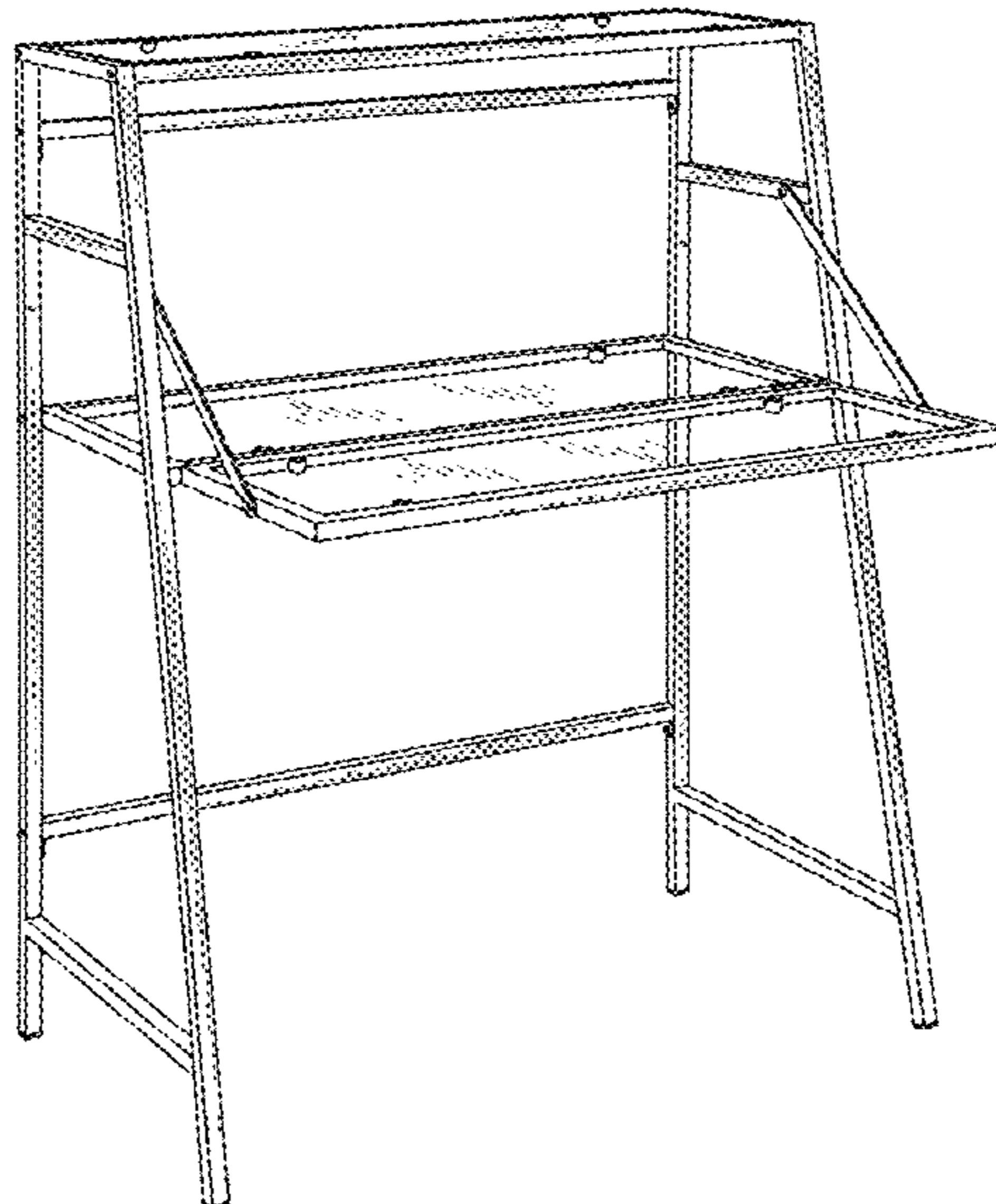
(57) **CLAIM**

The ornamental design for a desk, as shown and described.

DESCRIPTION

FIG. 1 is a front perspective view of a desk showing my new design;
FIG. 2 is a front elevation view thereof;
FIG. 3 is a rear elevation view thereof;
FIG. 4 is a left-side elevation view thereof;
FIG. 5 is a right-side elevation view thereof;
FIG. 6 is a top plan view thereof; and,
FIG. 7 is a bottom plan view thereof.

1 Claim, 7 Drawing Sheets



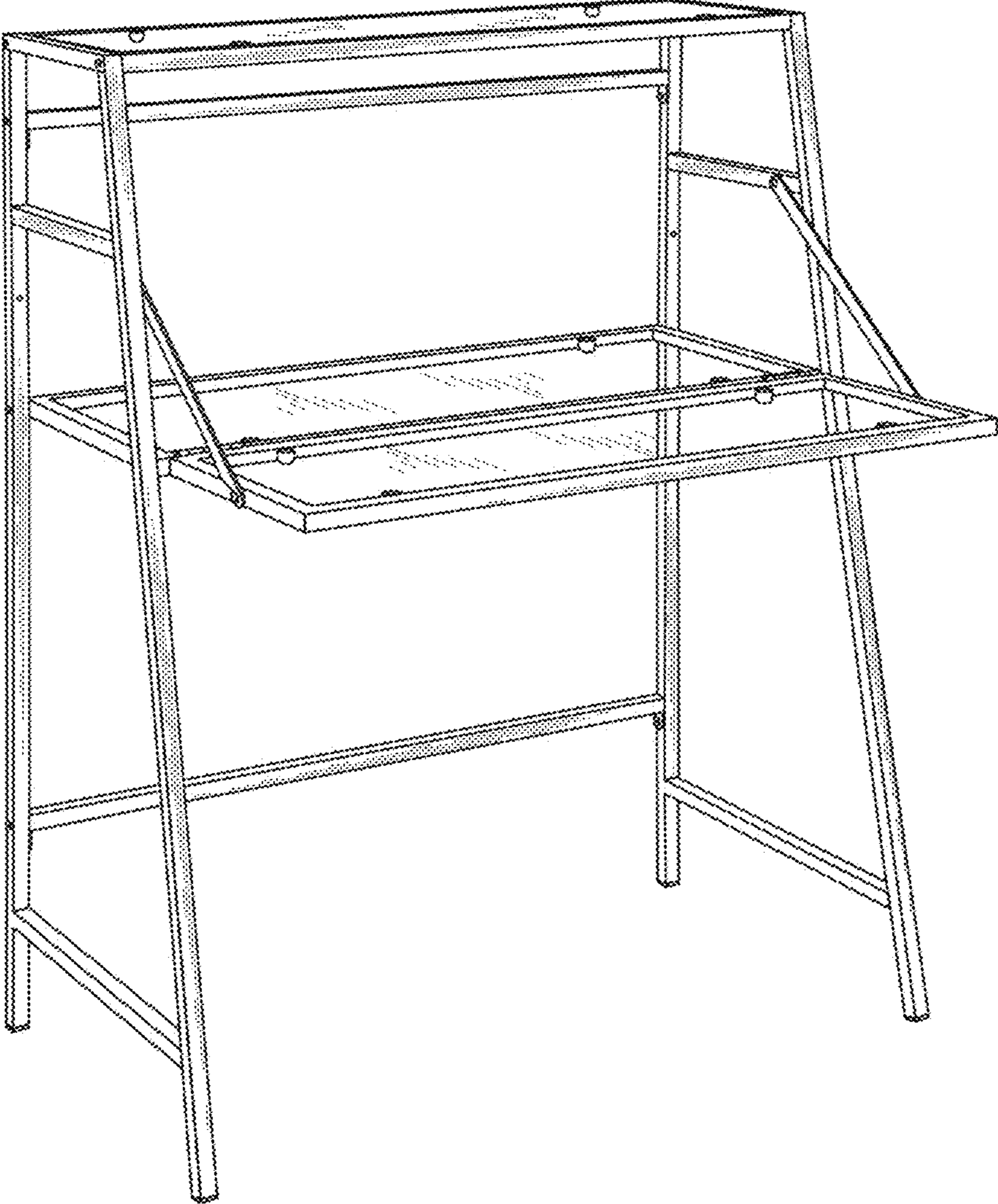


Fig.1

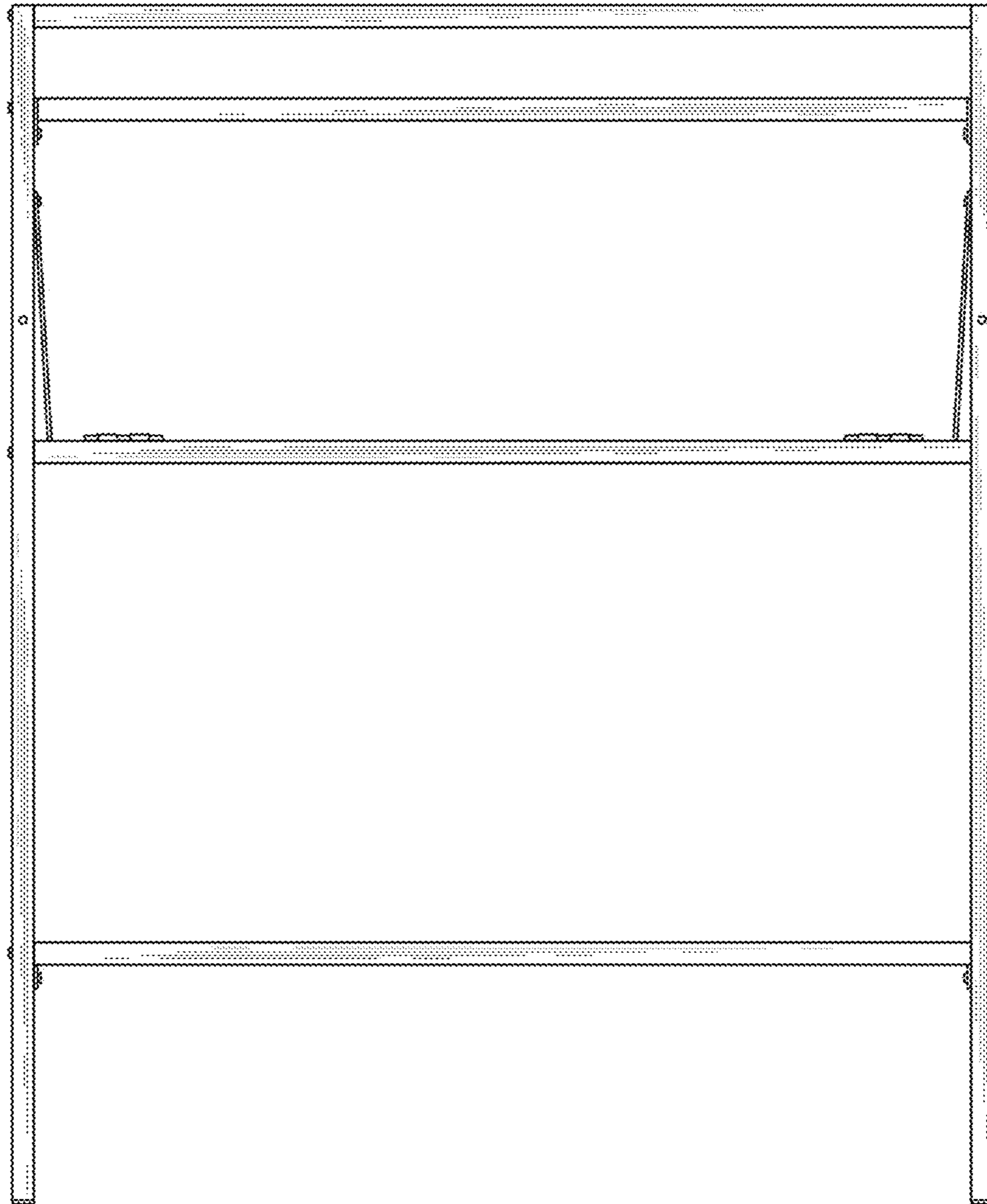


Fig.2

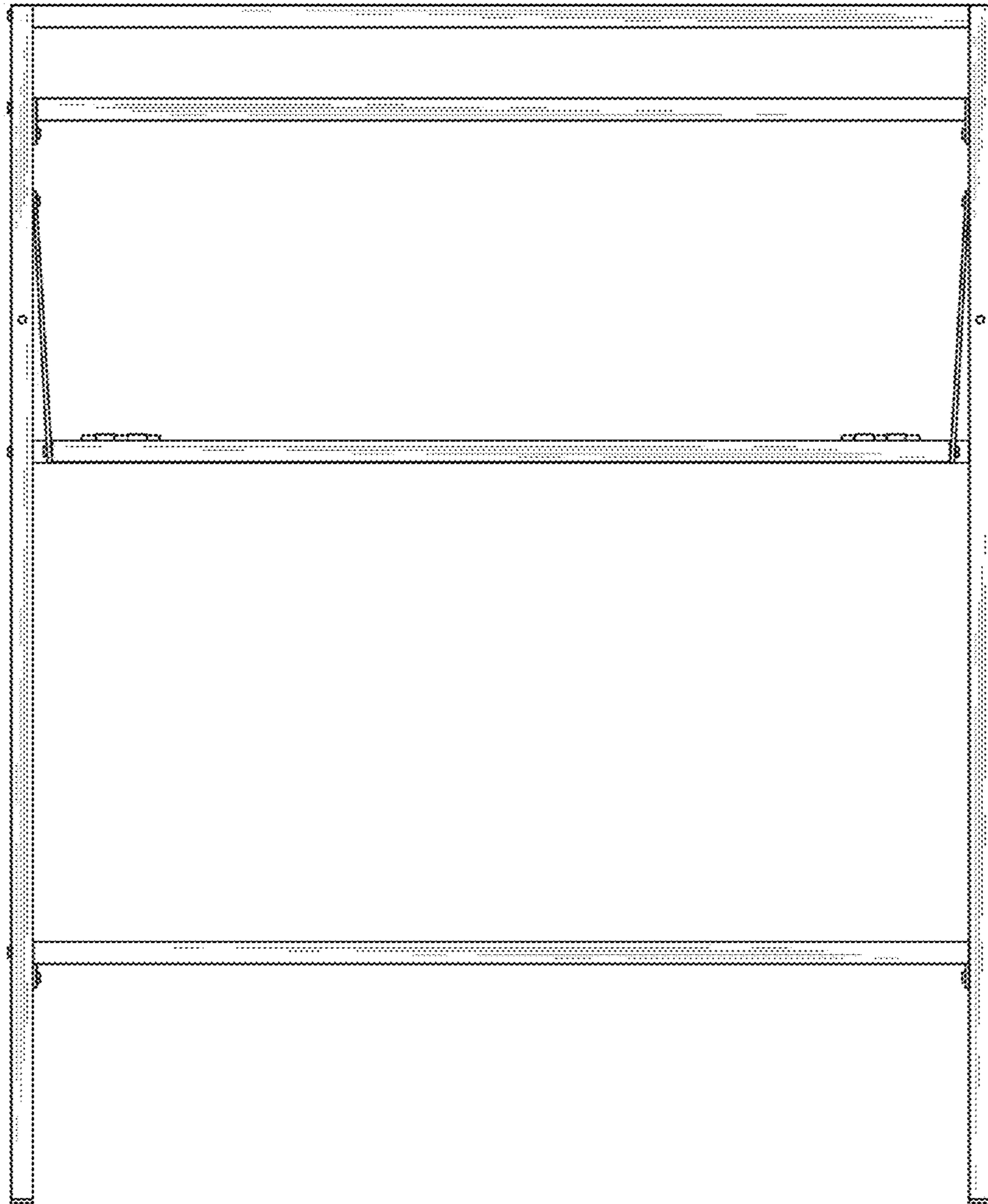


Fig.3

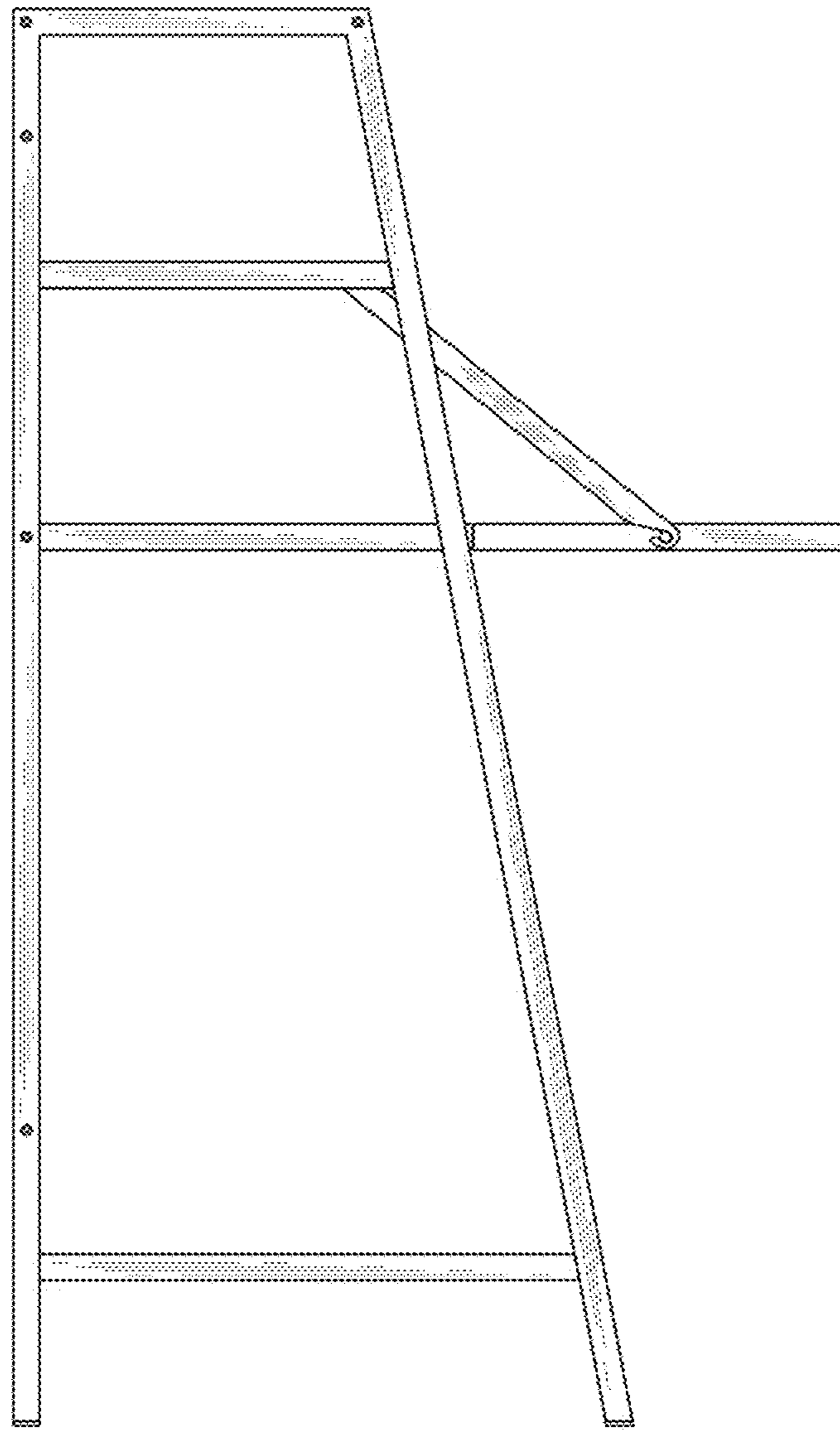


Fig.4

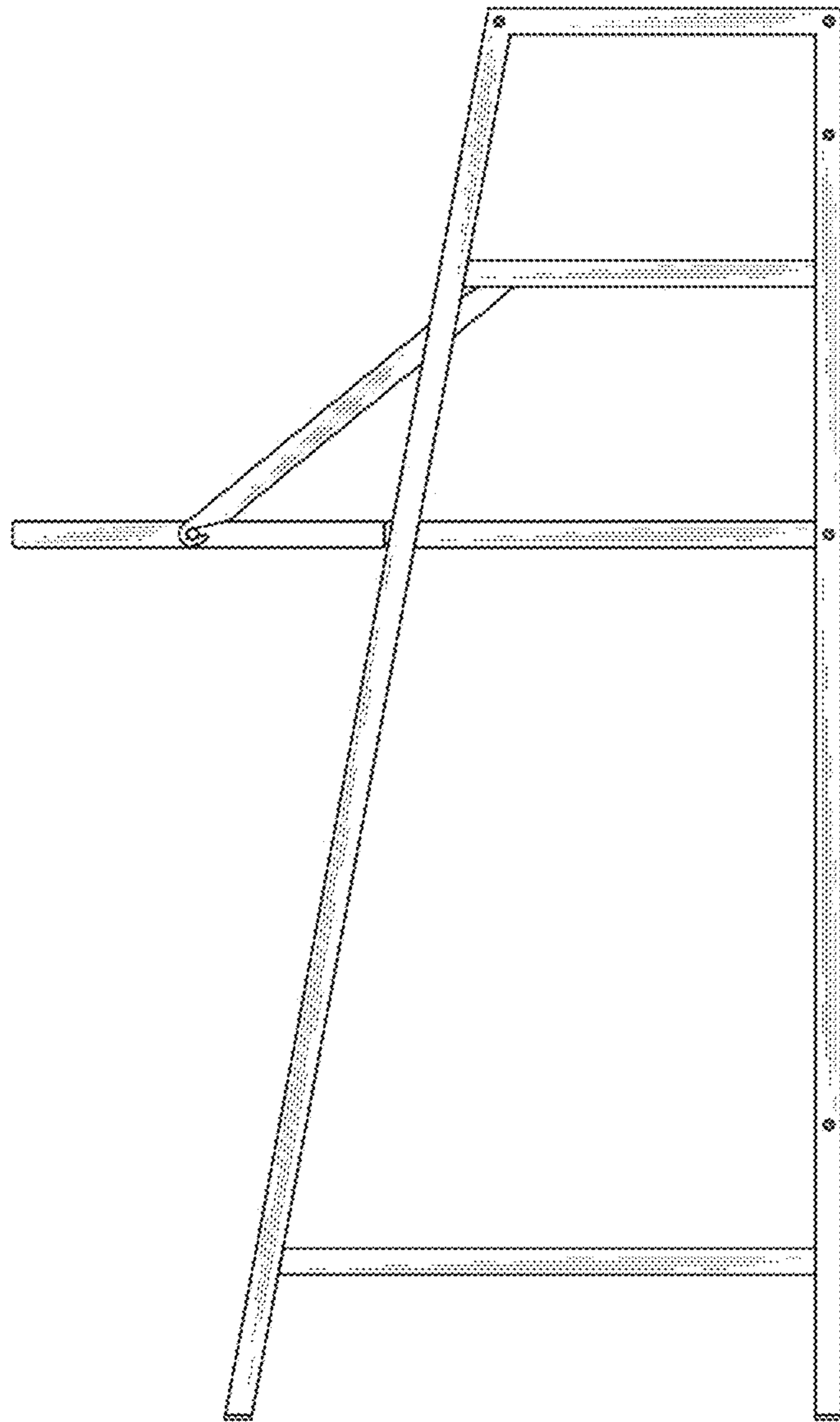


Fig.5

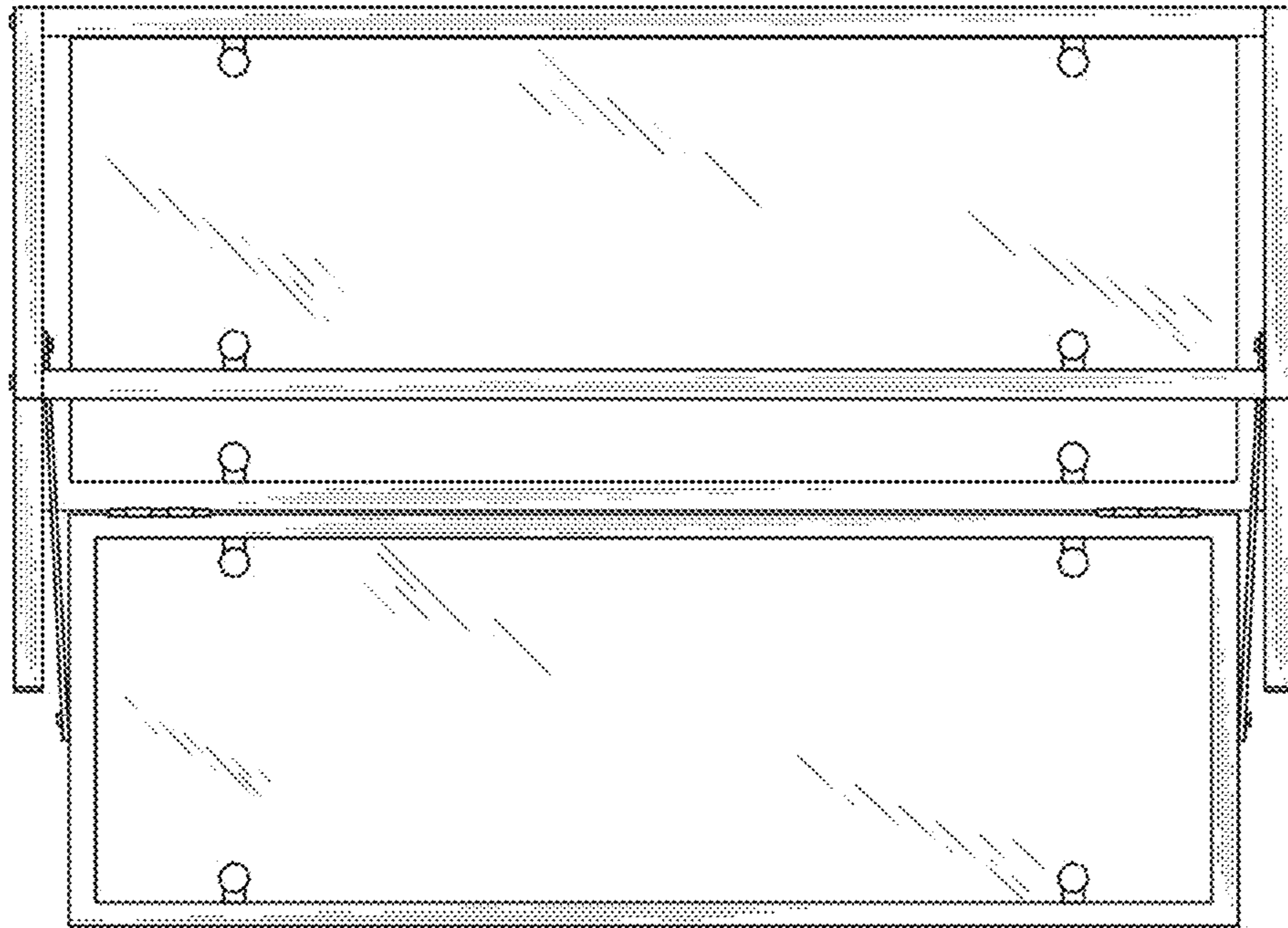


Fig.6

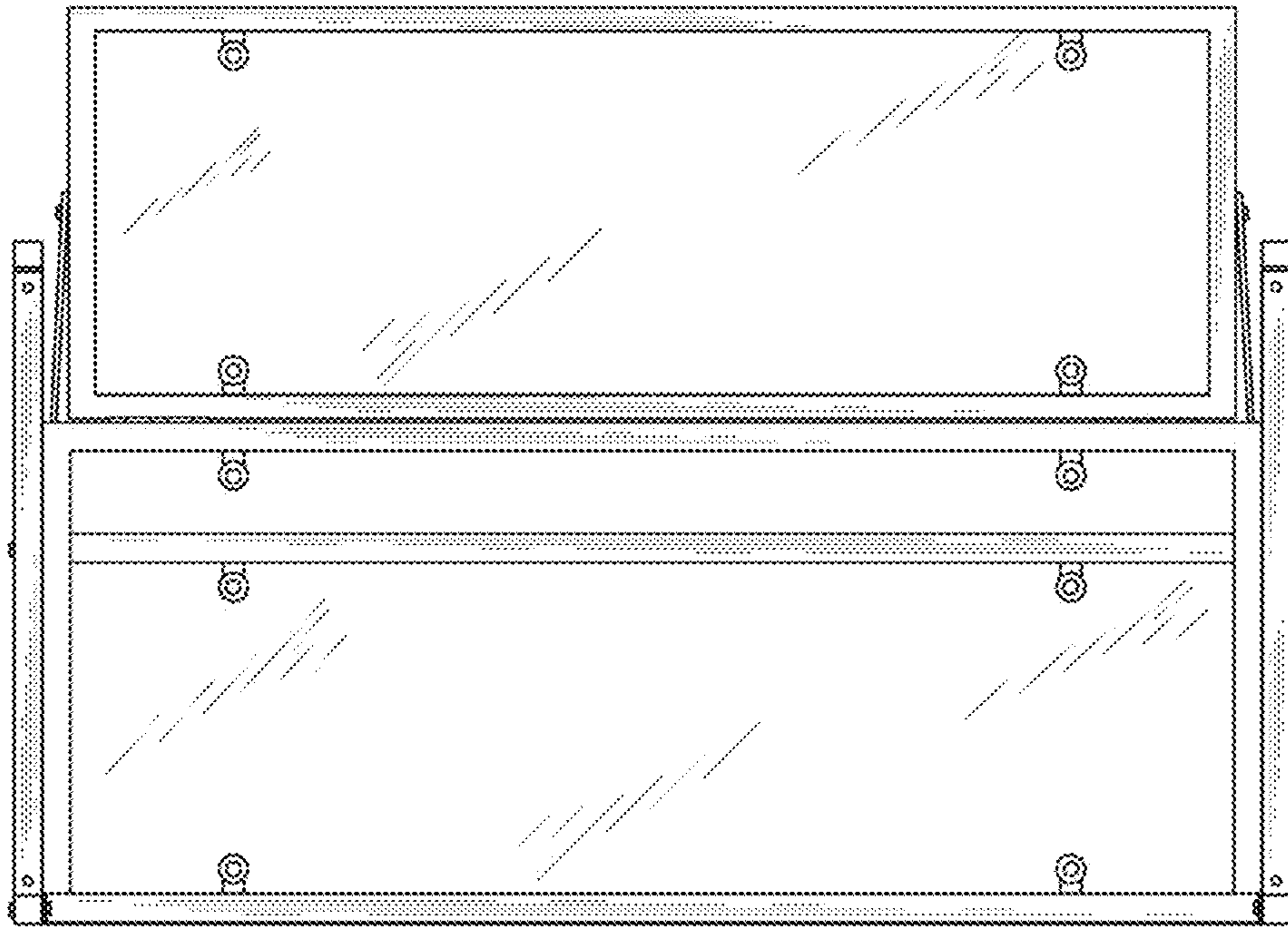


Fig.7