



US00D904798S

(12) **United States Design Patent** (10) **Patent No.:** **US D904,798 S**
Cameron (45) **Date of Patent:** **** Dec. 15, 2020**

(54) **PET SEAT COVER**

(74) *Attorney, Agent, or Firm* — Barry IP Law, P.C.

(71) Applicant: **Torgra Pty. Ltd.**, Burdell (AU)

(57) **CLAIM**

(72) Inventor: **Tori Cameron**, Townsville (AU)

The ornamental design for a pet seat cover, as shown and described.

(73) Assignee: **Torgra Pty. Ltd.**, Burdell (AU)

DESCRIPTION

(**) Term: **15 Years**

(21) Appl. No.: **29/708,608**

(22) Filed: **Oct. 8, 2019**

(51) **LOC (12) Cl.** **06-13**

(52) **U.S. Cl.**
USPC **D6/611**

(58) **Field of Classification Search**
USPC D6/596, 601, 608, 610–613, 616, 617;
D12/203, 416; D30/199

(Continued)

(56) **References Cited**

U.S. PATENT DOCUMENTS

4,943,105 A 7/1990 Kacar et al.
D537,289 S * 2/2007 Eskandry D6/611
(Continued)

FOREIGN PATENT DOCUMENTS

JP 4452231 B2 5/2007
JP 2000316404 * 11/2011

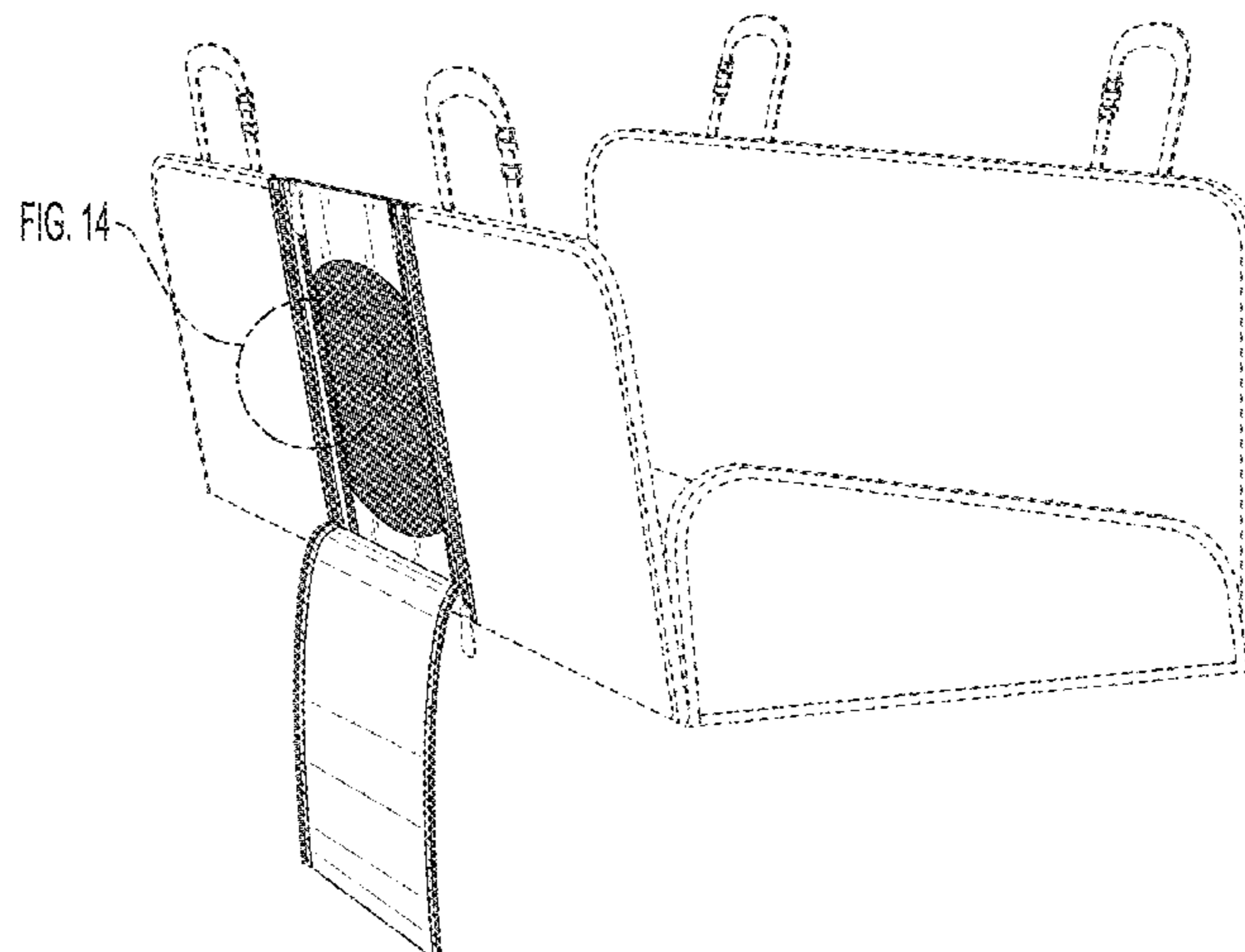
OTHER PUBLICATIONS

Mpow Dog Car Seat Covers with Mesh Visual Window, More Durable Scratchproof Dog Seat Cover for Back Seat with 2 Dog Seat Belts & Storage Pockets, Non-Slip Washable Dog Car Hammock for Different Cars, Mpow, listing available at www.amazon.com, 10 pages, last accessed Oct. 1, 2019.

(Continued)

Primary Examiner — Cynthia Ramirez
Assistant Examiner — Xavier Marti-Santos

1 Claim, 10 Drawing Sheets



(58) **Field of Classification Search**

CPC B60N 2/60; B60N 2/6009; B60N 2/6018;
B60N 2/6027; B60N 2/6036; B60N
2/6054; B60N 2/6063; B60N 2/609;
A47C 7/62; A01K 1/0272

See application file for complete search history.

(56) **References Cited**

U.S. PATENT DOCUMENTS

7,261,375 B2 * 8/2007 Godshaw A01K 1/0272
119/28.5
7,287,813 B2 10/2007 Aliev
7,677,662 B2 * 3/2010 Thompson A47C 31/11
297/188.01
9,610,877 B2 * 4/2017 Umlauf B60N 2/90
9,845,033 B1 * 12/2017 Umlauf B60N 2/6027
9,963,086 B2 * 5/2018 Umlauf B60N 2/90
D851,963 S * 6/2019 Fischer-Livneh D6/611
10,406,951 B2 * 9/2019 Leon Guerrero B60N 2/36
D880,198 S * 4/2020 Umlauf D6/611
D883,716 S * 5/2020 Hu D6/611
2009/0091165 A1 * 4/2009 Thompson B60N 2/6009
297/228.12
2015/0264887 A1 9/2015 Parness
2016/0318430 A1 * 11/2016 Umlauf B60N 2/60
2018/0251054 A1 * 9/2018 Umlauf B60R 13/011

OTHER PUBLICATIONS

NHILES Car Seat Cover for Dogs Made of Soft 600D Oxford,
100% Waterproof and Scratch Resistant Dog Backseat Covers for
Car and SUV, listing available at www.amazon.com, 9 pages, last
accessed Oct. 7, 2019.

* cited by examiner

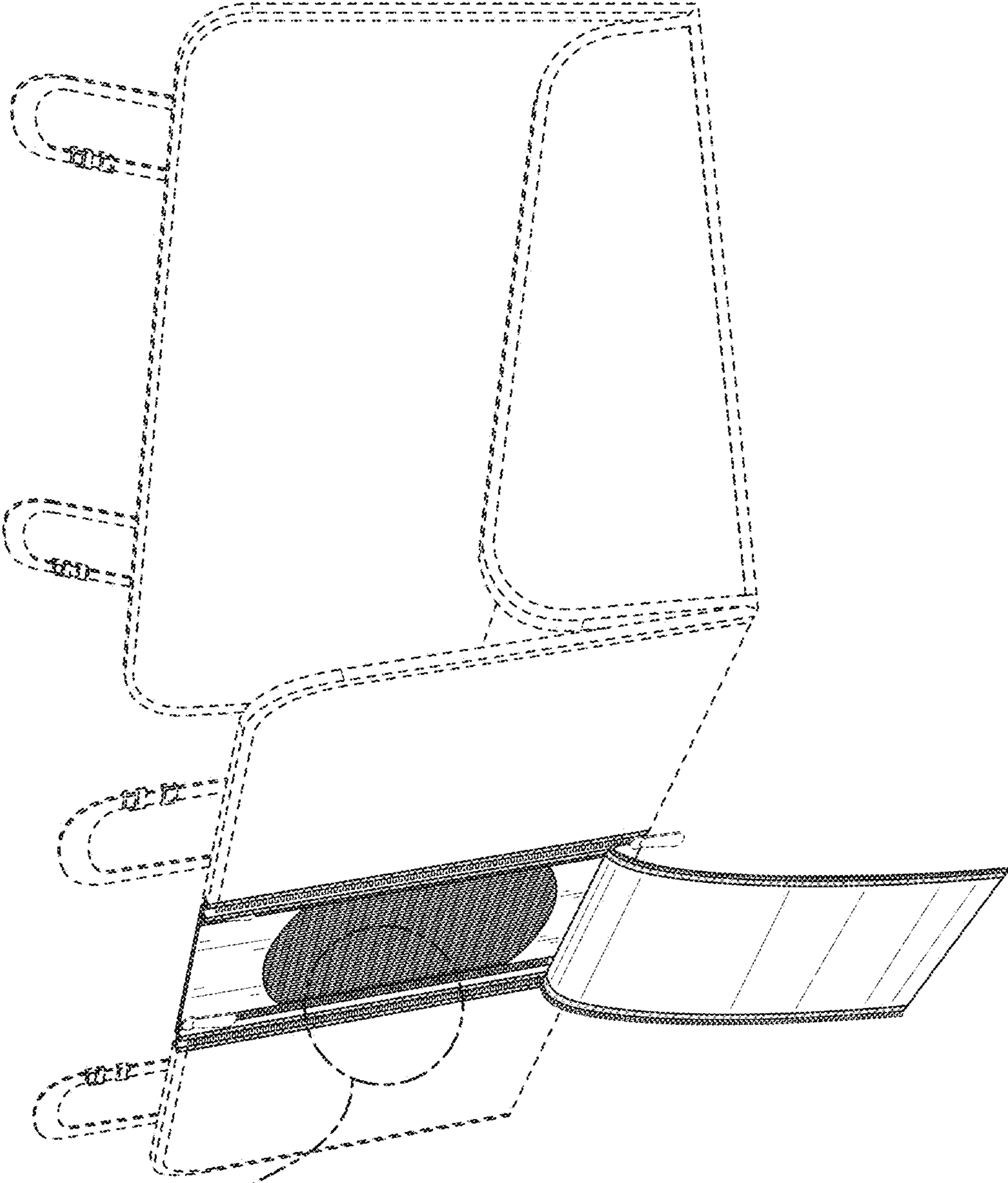


FIG. 14

FIG. 1

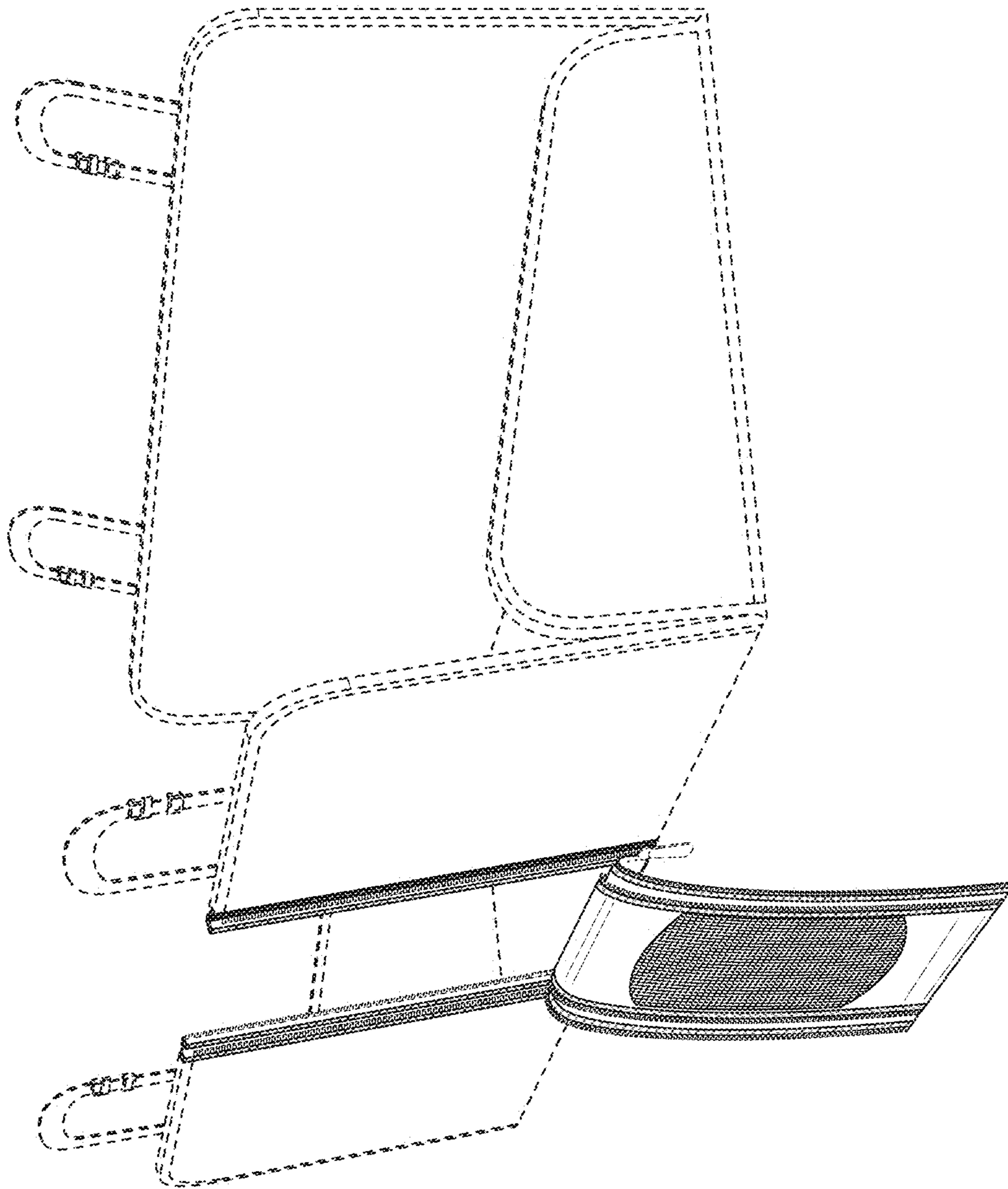


FIG. 2

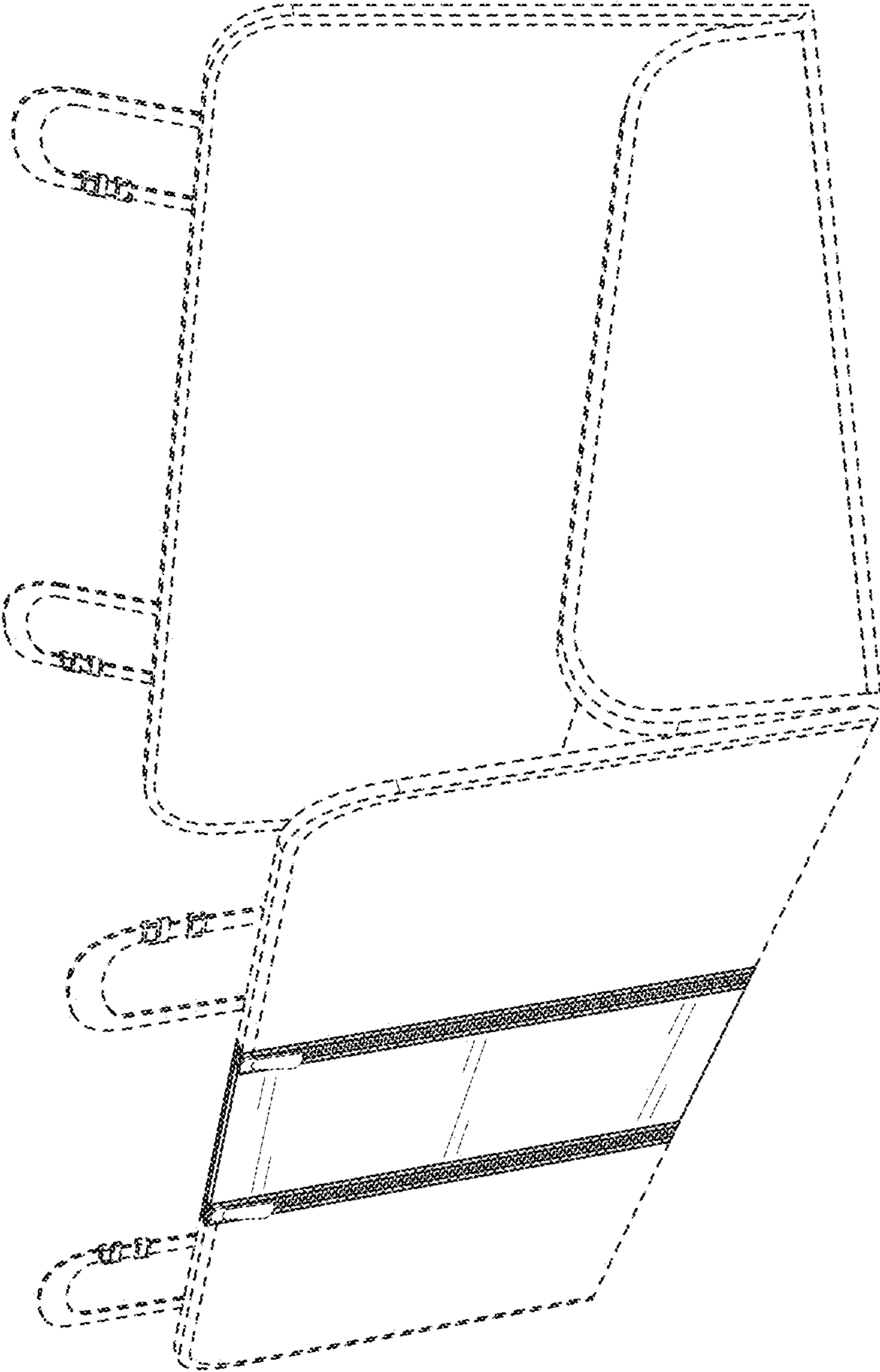
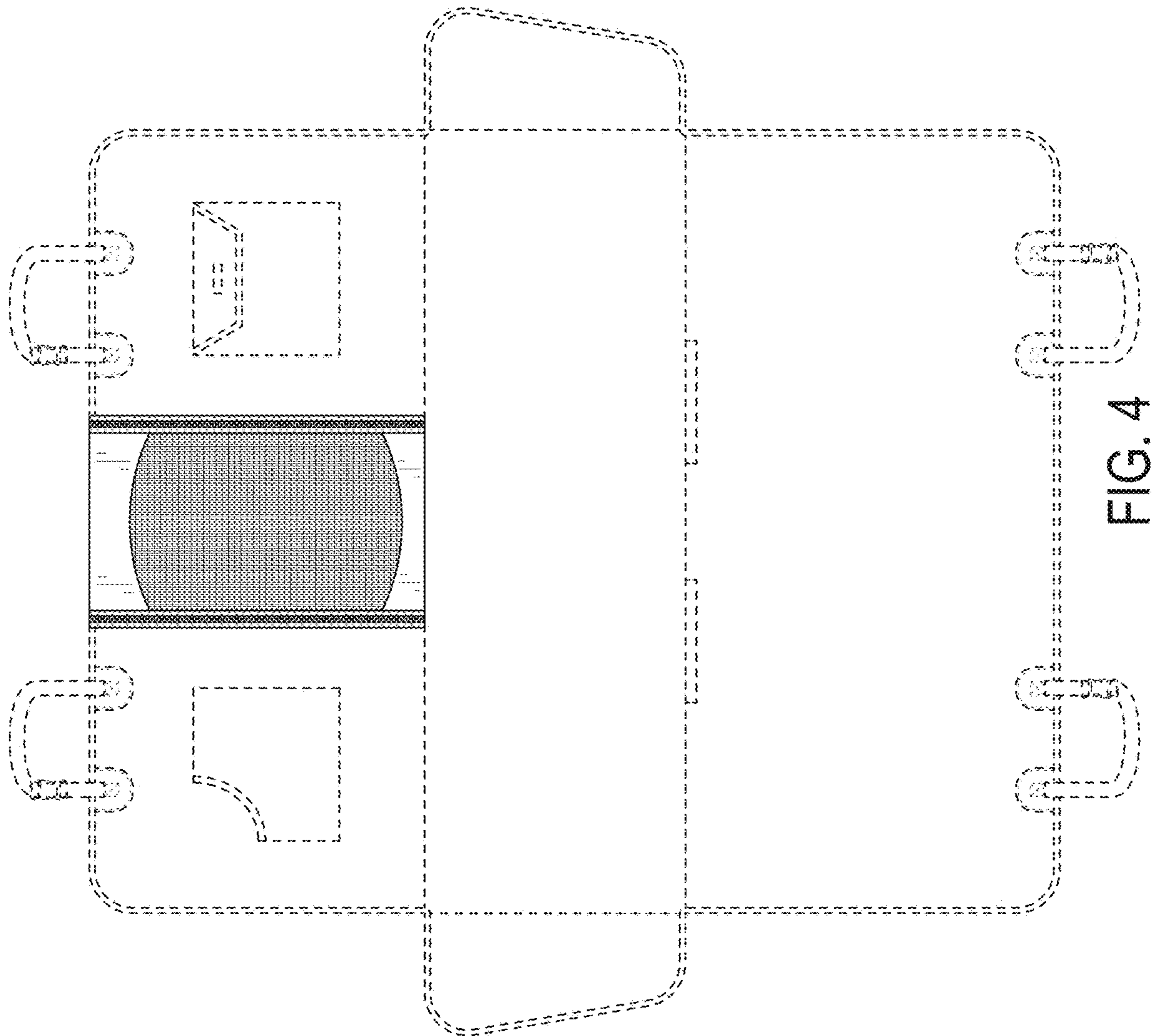


FIG. 3



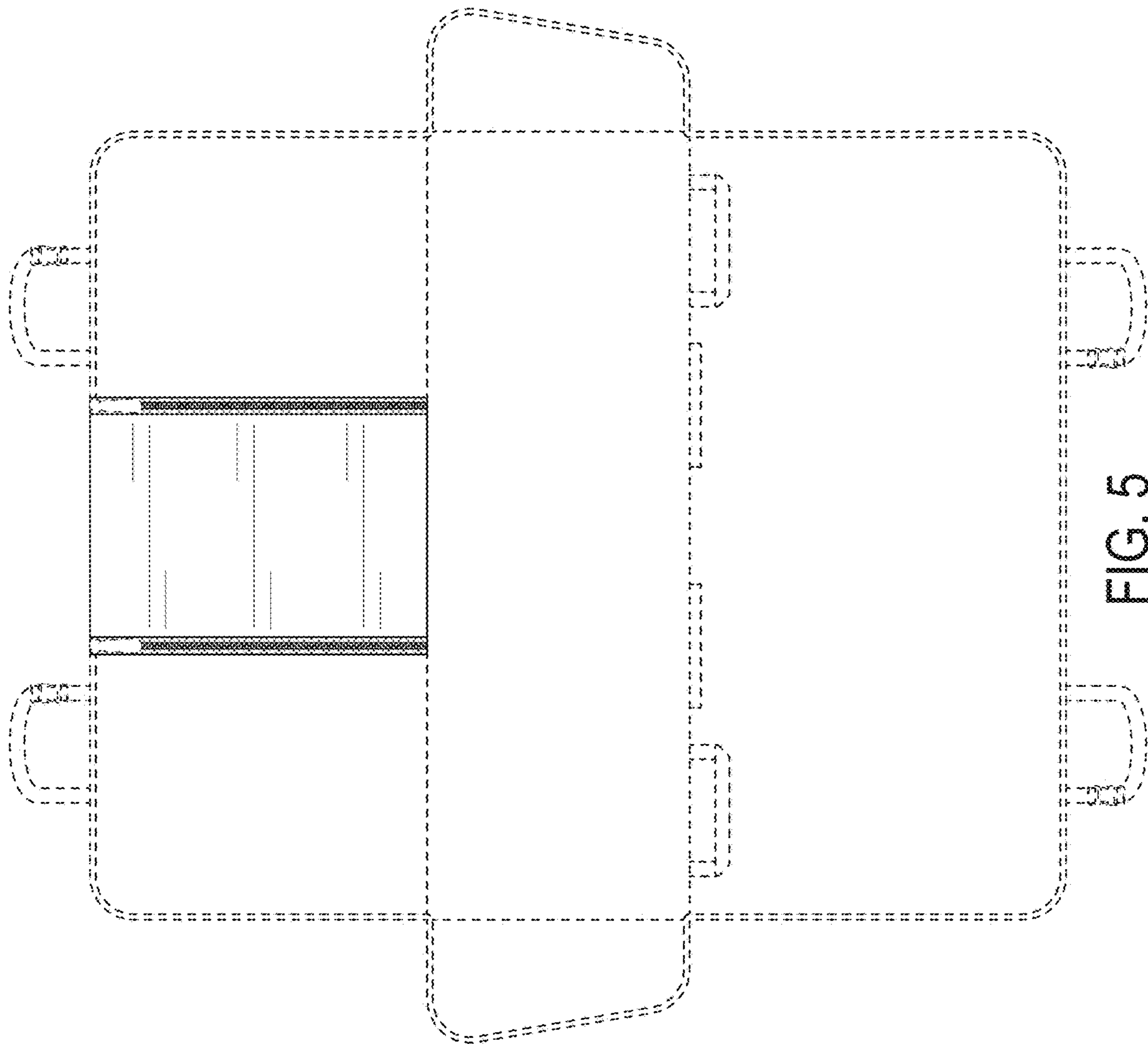


FIG. 5

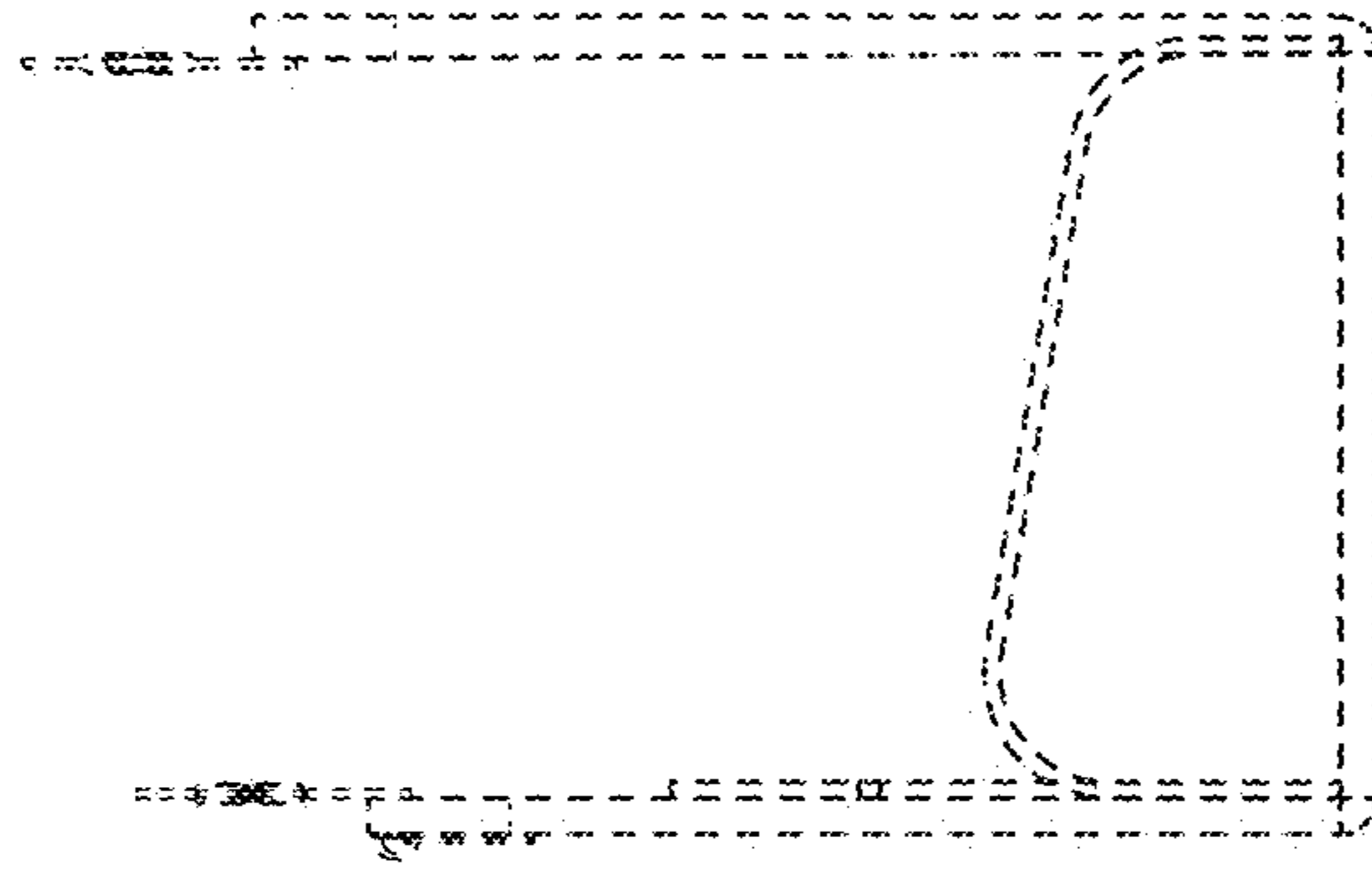


FIG. 7

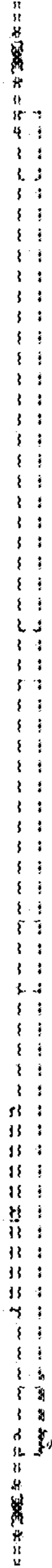


FIG. 6

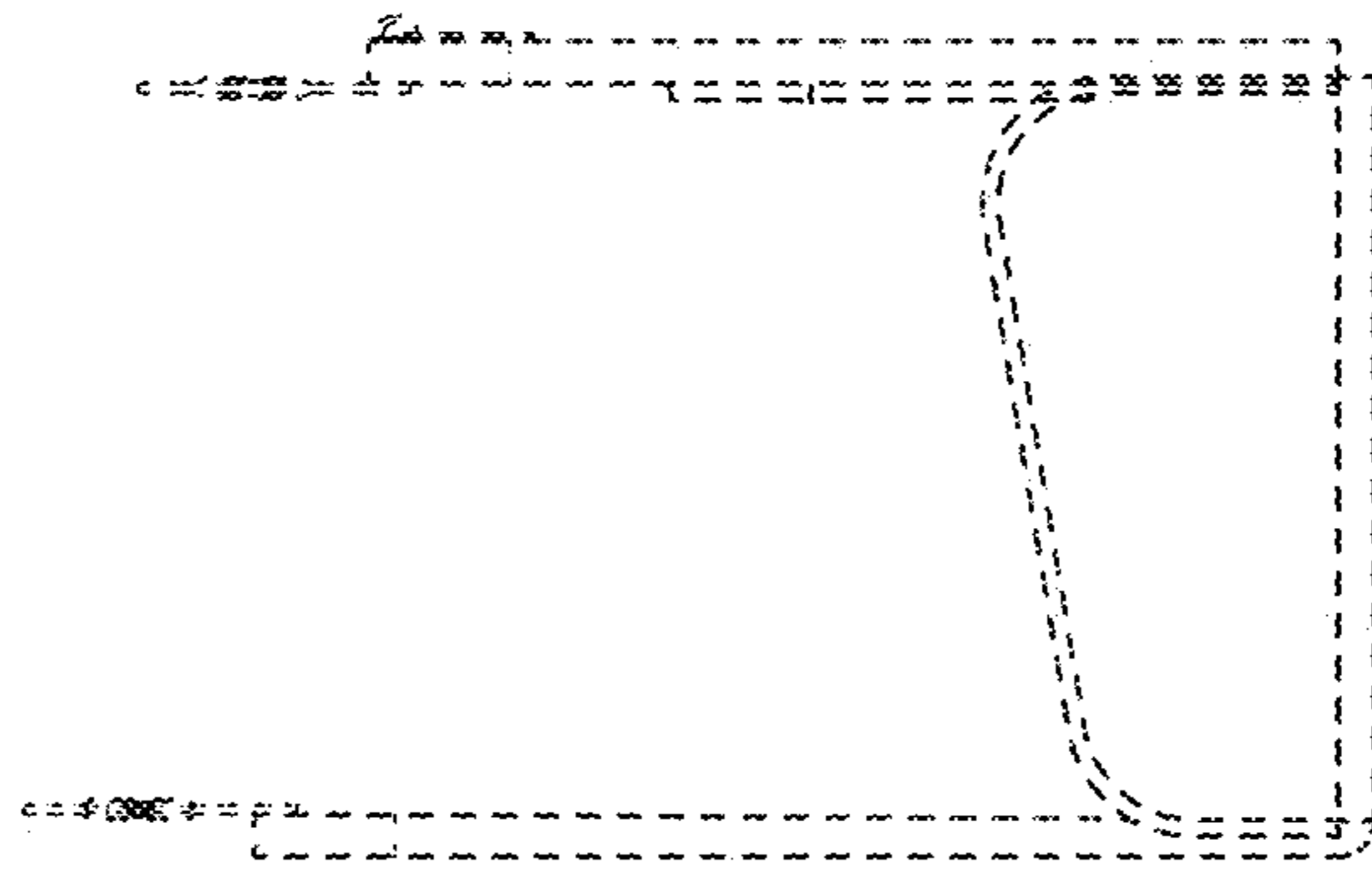


FIG. 9

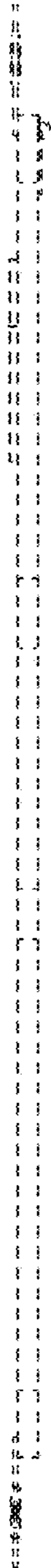


FIG. 8



FIG. 10

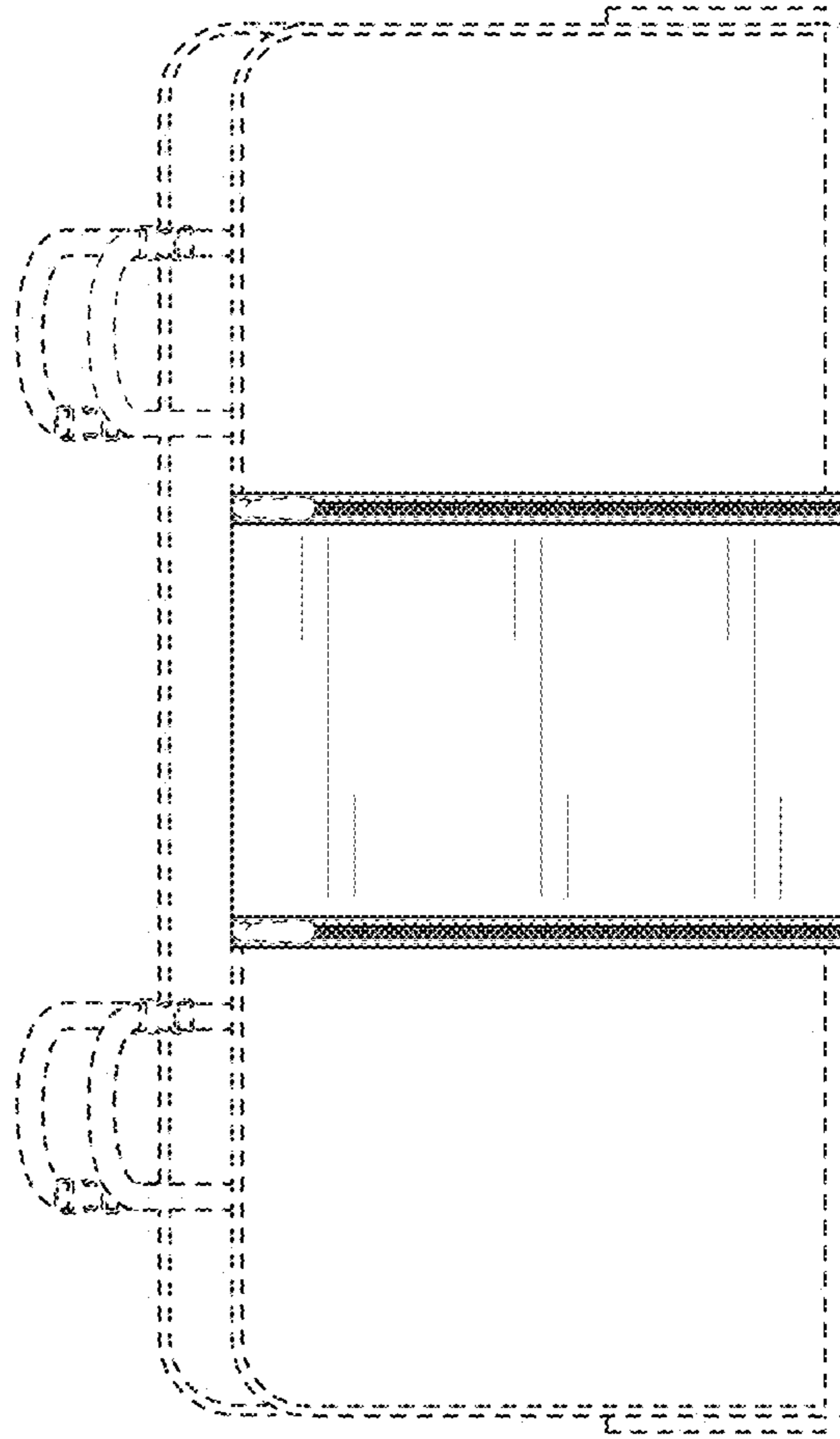


FIG. 11

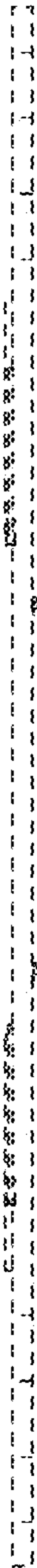


FIG. 12

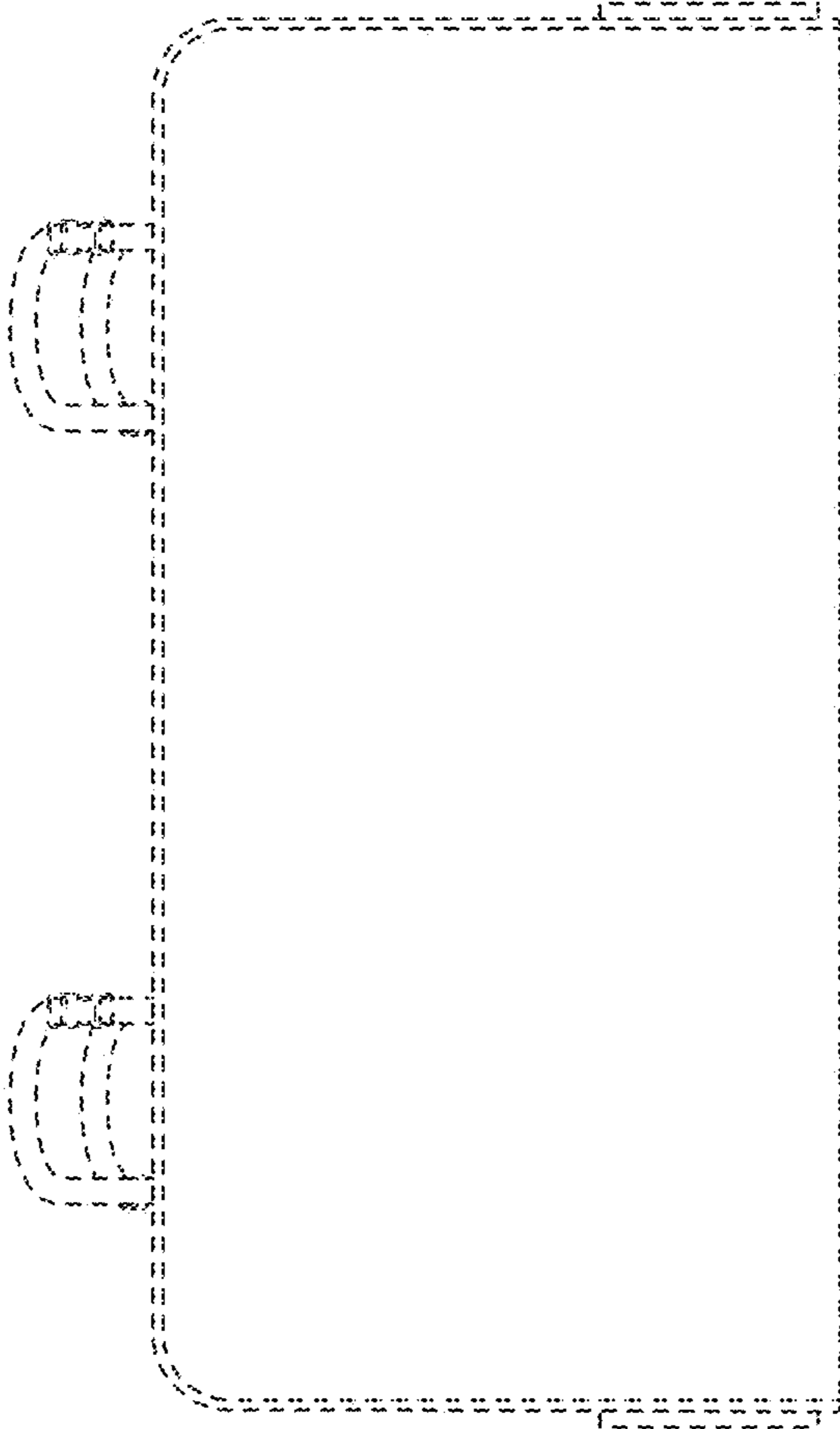


FIG. 13

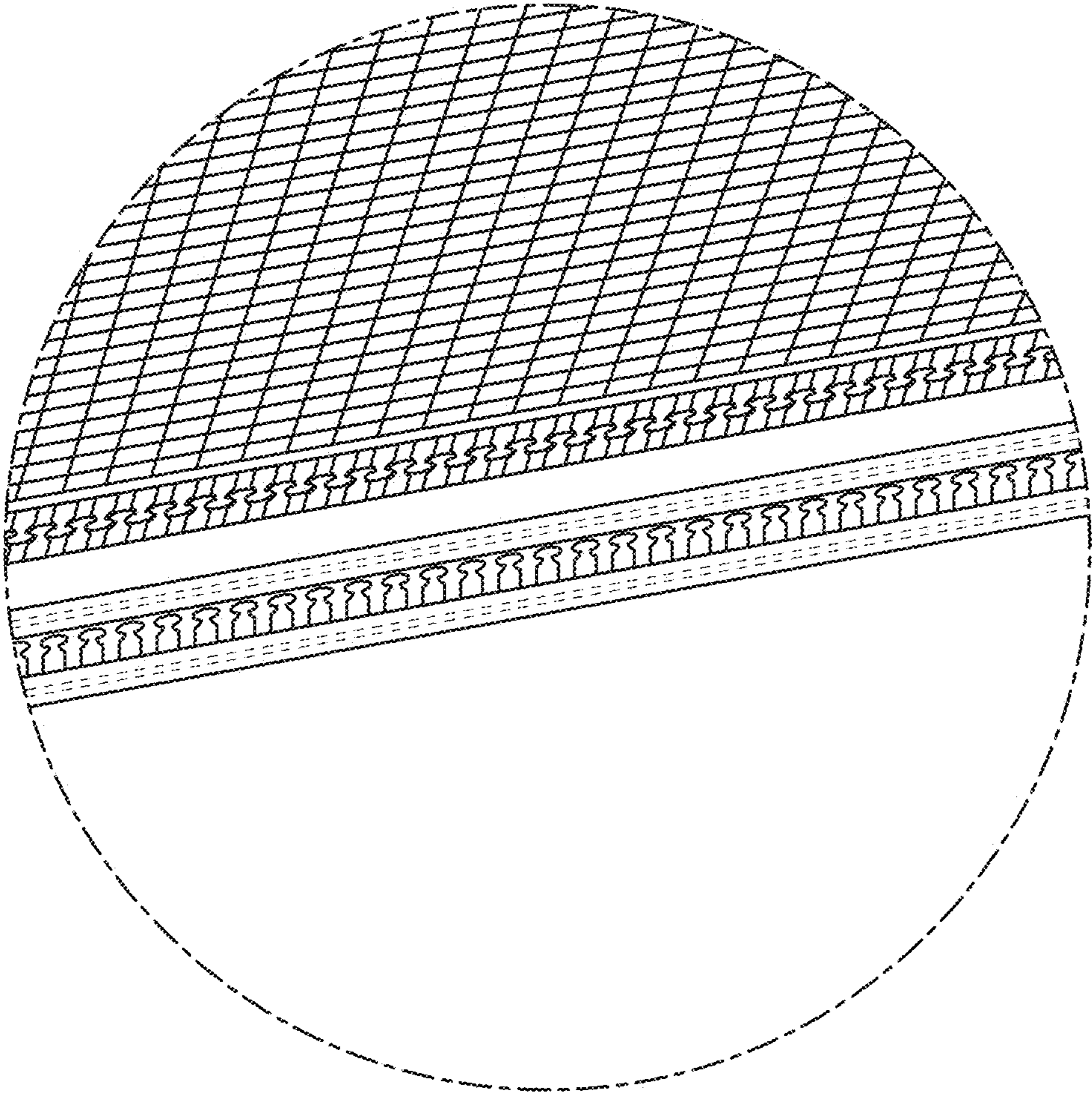


FIG. 14