



US00D904797S

(12) **United States Design Patent**
Mao

(10) **Patent No.:** **US D904,797 S**

(45) **Date of Patent:** **** Dec. 15, 2020**

(54) **INFLATABLE PILLOW**

(71) Applicant: **JIANGXI KAIXIU INDUSTRY AND TRADE CO., LTD.**, Yichun (CN)

(72) Inventor: **Ting Mao**, Yichun (CN)

(73) Assignee: **JIANGXI KAIXIU INDUSTRY AND TRADE CO., LTD.**, Yichun (CN)

(**) Term: **15 Years**

(21) Appl. No.: **29/729,352**

(22) Filed: **Mar. 26, 2020**

(51) **LOC (12) Cl.** **06-09**

(52) **U.S. Cl.**
USPC **D6/604**

(58) **Field of Classification Search**
USPC D6/333, 349, 355, 375, 388, 512, 563,
D6/564, 595, 596, 601, 603, 605, 608,
D6/604, 611; D24/183-185, 234;
D21/803, 804, 805, 809; 5/401, 420,
5/600, 630, 631, 632, 633, 635, 636, 638,
5/639, 646, 652, 652.1, 655, 703, 730,
5/411, 705
CPC .. A47G 9/0238; A47G 9/0246; A47G 9/0261;
A47G 2009/0269; A47G 9/10; A47G
9/1018; A47G 9/1027; A47G 9/1063;
A47G 9/1072; A47G 9/1081; A47G
9/1054

See application file for complete search history.

(56) **References Cited**

U.S. PATENT DOCUMENTS

2,033,840 A * 3/1936 Le Fevre A47L 13/18
15/227
2,264,471 A * 12/1941 Glenn A47G 9/062
5/419

D209,118 S * 10/1967 Grube D24/206
3,689,947 A * 9/1972 Wolf A47G 9/1045
5/419
D261,464 S * 10/1981 Smith 5/419
D280,170 S * 8/1985 Short D6/608
D306,473 S * 3/1990 Scheurer D21/809
D317,995 S * 7/1991 Crowley-McGregor 401/201
D318,772 S * 8/1991 Phillips 5/419
D335,236 S * 5/1993 Wood D6/608
D341,285 S * 11/1993 Kraus D6/608
D341,513 S * 11/1993 Reeves 5/419
D382,755 S * 8/1997 Knopfler 5/419
D430,627 S * 9/2000 Bergman D21/662
D439,463 S * 3/2001 Bare D6/595

(Continued)

Primary Examiner — Sanjeev Paul

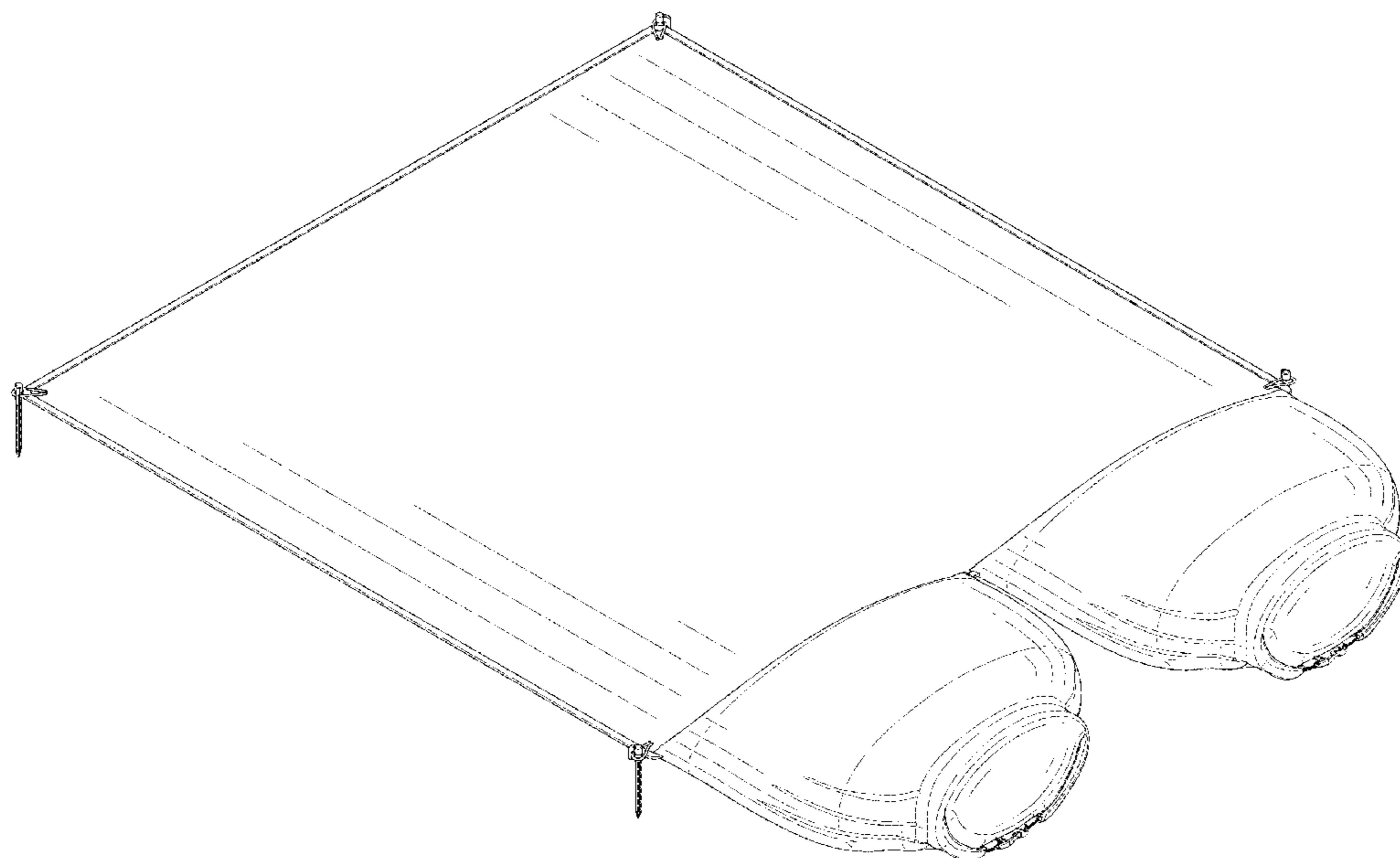
(57) **CLAIM**

The ornamental design for an inflatable pillow, as shown and described.

DESCRIPTION

FIG. 1 is a perspective view of an inflatable pillow showing my new design;
FIG. 2 is another perspective view thereof;
FIG. 3 is a front elevational view thereof;
FIG. 4 is a rear elevational view thereof;
FIG. 5 is a left side elevational view thereof;
FIG. 6 is a right side elevational view thereof;
FIG. 7 is a top plan view thereof;
FIG. 8 is a bottom plan view thereof;
FIG. 9 is an enlarged view of portion 9 shown in FIG. 2;
FIG. 10 is an enlarged view of portion 10 shown in FIG. 2;
FIG. 11 is an enlarged view of portion 11 shown in FIG. 2;
FIG. 12 is an enlarged view of portion 12 shown in FIG. 2;
FIG. 13 is an enlarged view of portion 13 shown in FIG. 2;
and,
FIG. 14 is an enlarged view of portion 14 shown in FIG. 2.

1 Claim, 14 Drawing Sheets



(56)

References Cited

U.S. PATENT DOCUMENTS

D462,361 S * 9/2002 Lewtan D14/458
D476,516 S * 7/2003 Pigg D6/596
D571,594 S * 6/2008 Klepy D6/595
D651,032 S * 12/2011 Adkins D6/596
D658,422 S * 5/2012 Mandell D6/608
D707,466 S * 6/2014 Lancaster D6/603
D707,470 S * 6/2014 George D6/608
8,959,679 B1 * 2/2015 Everds A47G 9/062
5/419
D727,664 S * 4/2015 George D6/608
D756,688 S * 5/2016 Mikesell D6/603
D774,801 S * 12/2016 Clark D6/596
D776,459 S * 1/2017 Ibarra D6/603
D833,776 S * 11/2018 Casserly D6/603
D850,151 S * 6/2019 Reardon D6/583
D854,355 S 7/2019 Lei
D858,141 S * 9/2019 Simmons D6/596
D869,879 S * 12/2019 Kubish D6/602
D869,880 S * 12/2019 Ruiz D6/606
2004/0107500 A1 * 6/2004 Pigg A47G 9/086
5/413 R
2005/0071920 A1 * 4/2005 Higashi H01R 13/523
5/417
2008/0127414 A1 * 6/2008 Allen A47G 9/062
5/417
2009/0229048 A1 * 9/2009 Maganov A63B 21/4037
5/420
2011/0088165 A1 * 4/2011 Cruz A45F 4/06
5/485
2016/0059066 A1 * 3/2016 Willis A63B 21/4037
5/417
2020/0128980 A1 * 4/2020 Hanifi A47G 9/1081

* cited by examiner

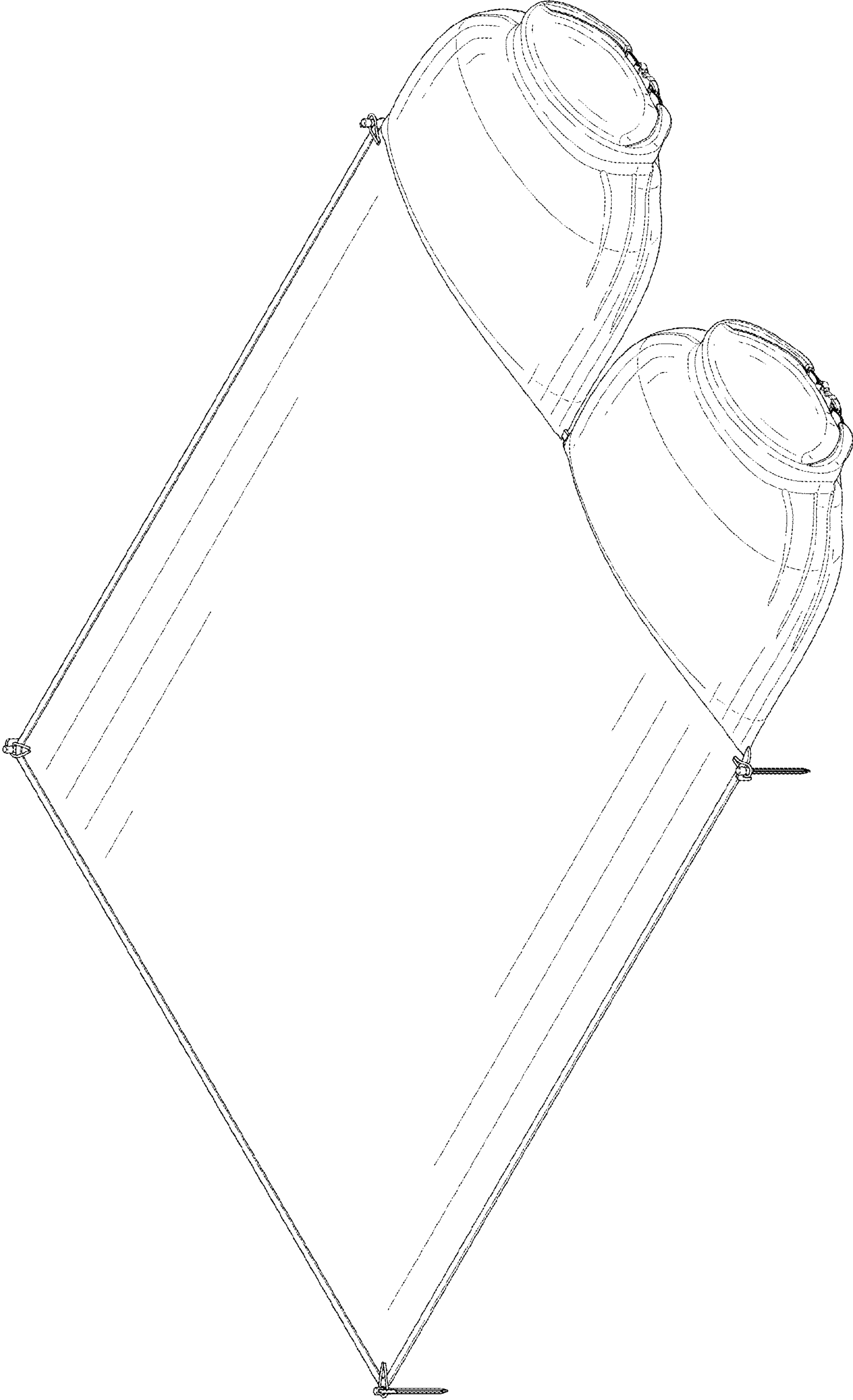


FIG. 1

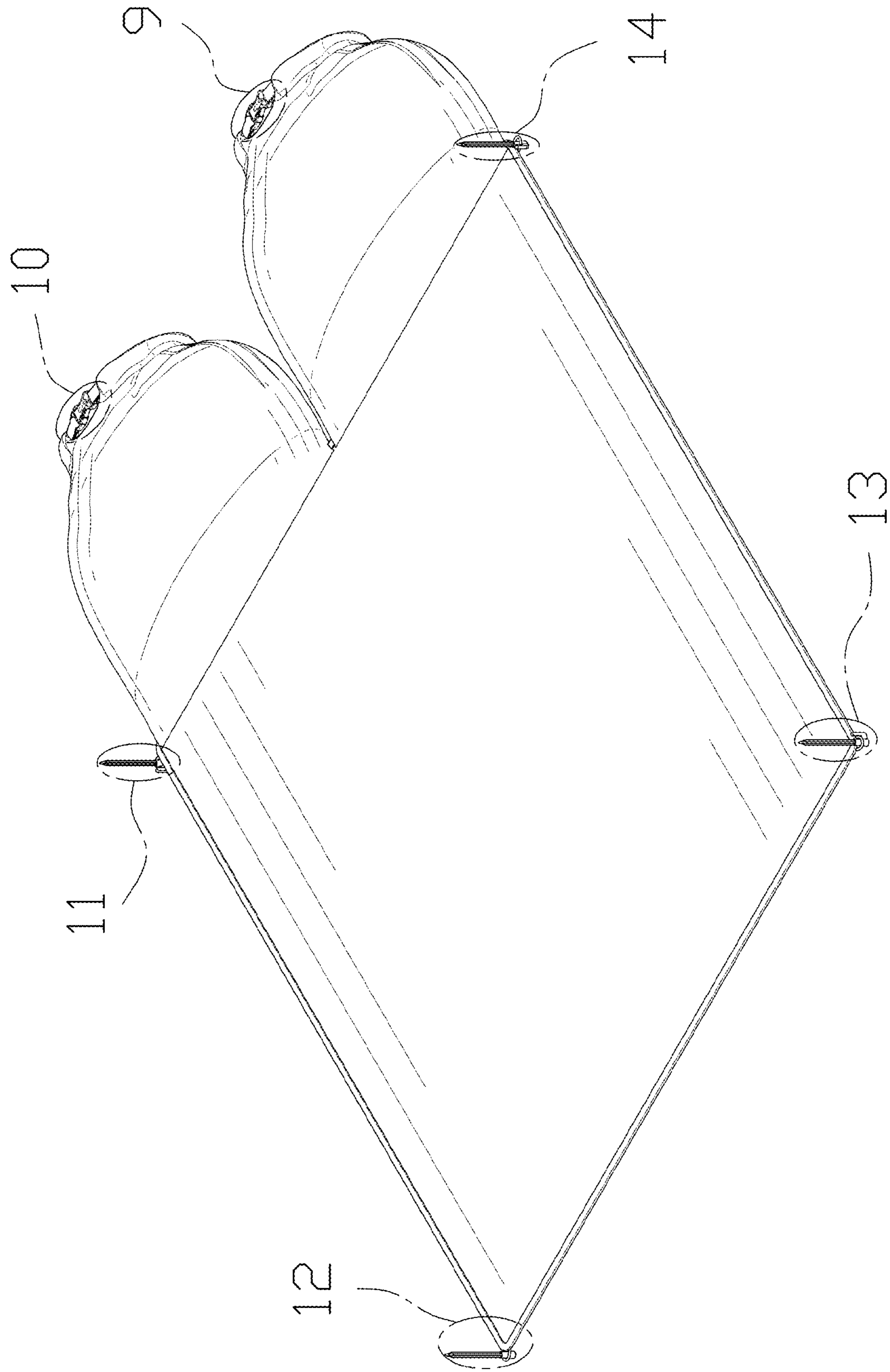


FIG. 2

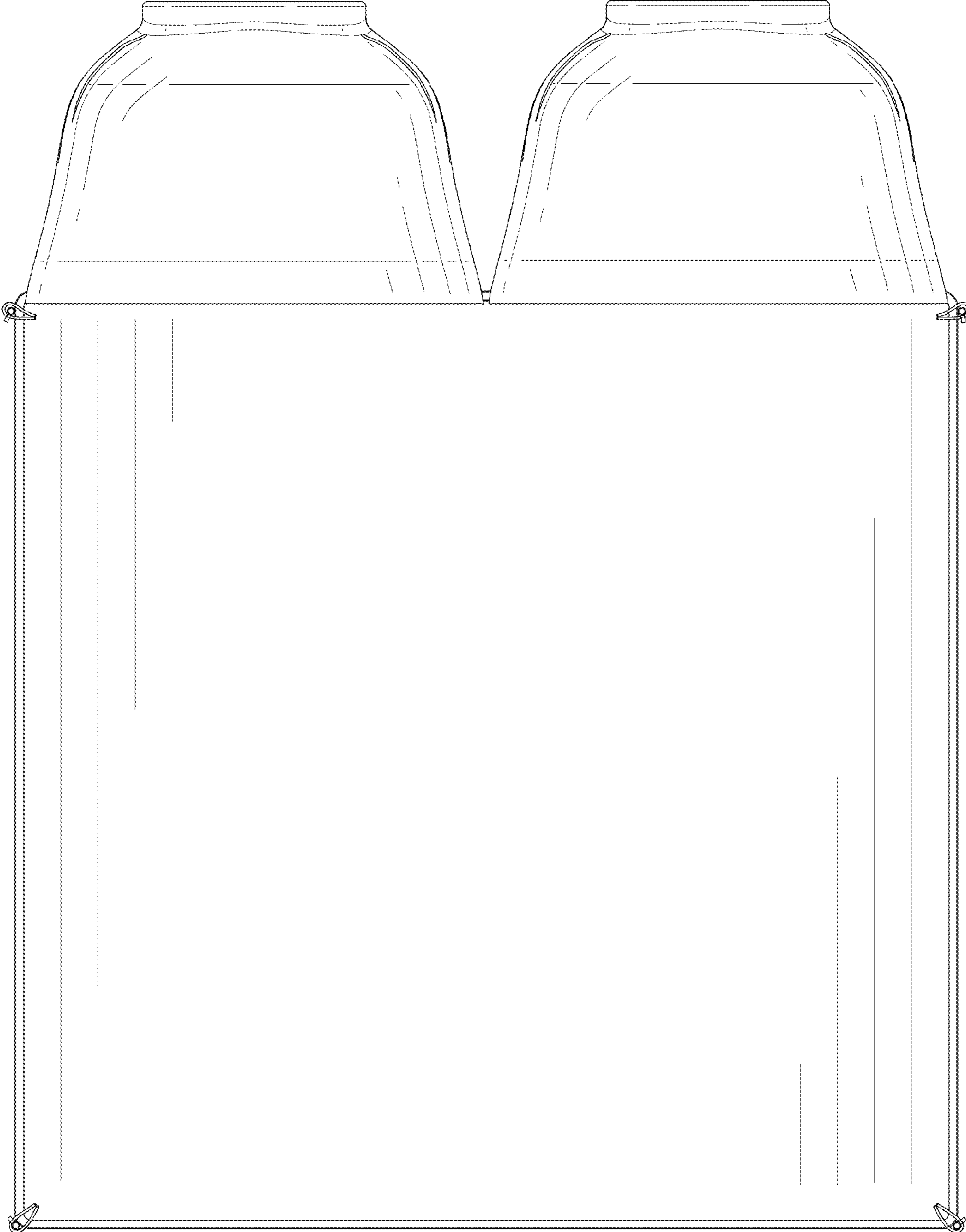


FIG. 3

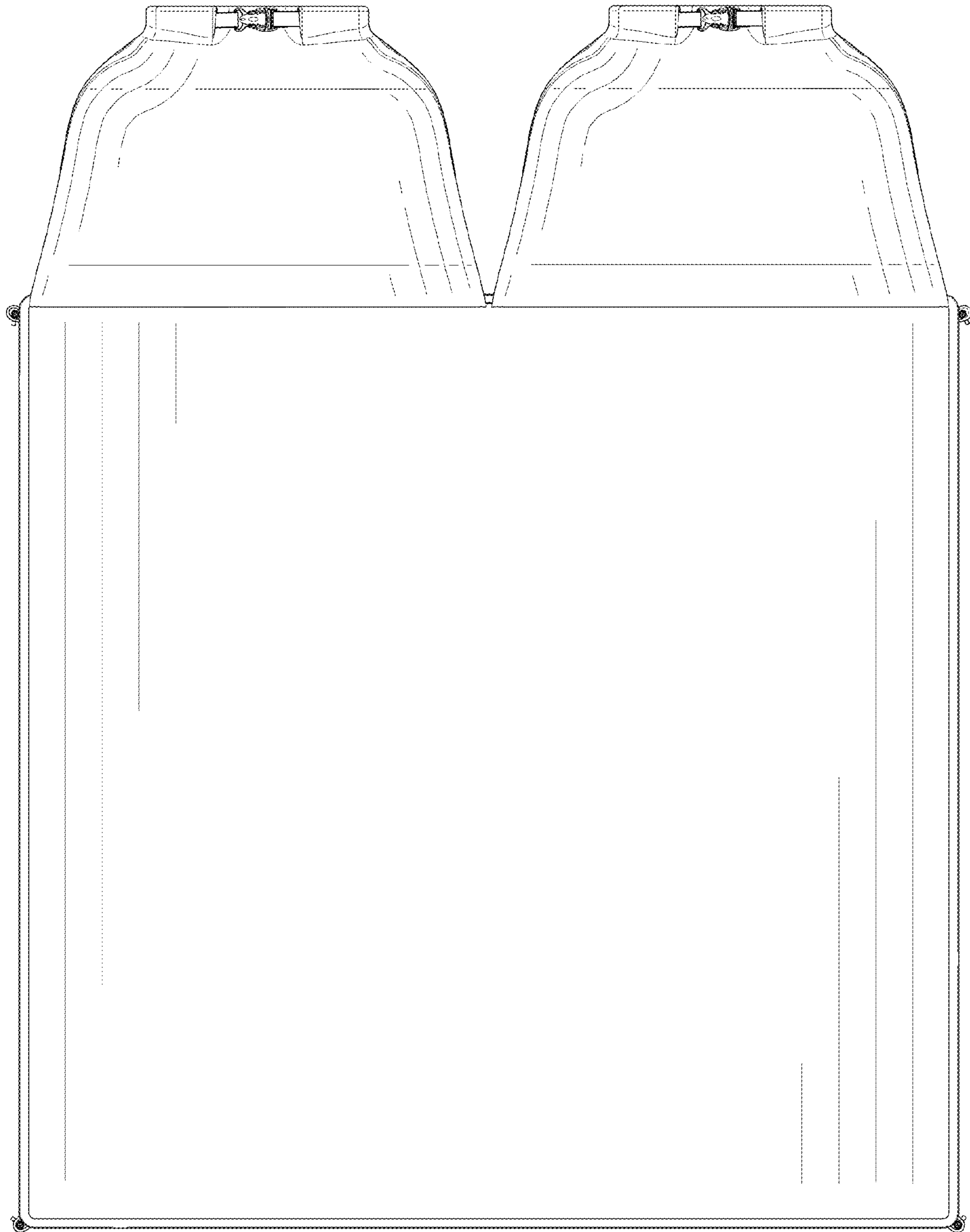


FIG. 4

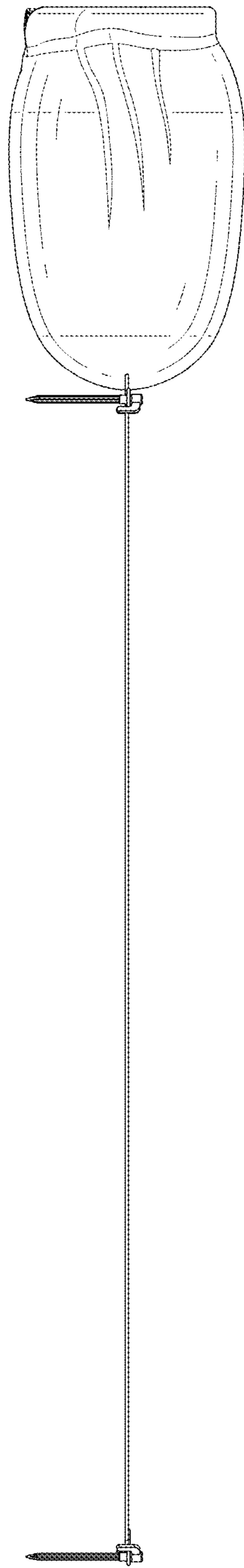


FIG. 5

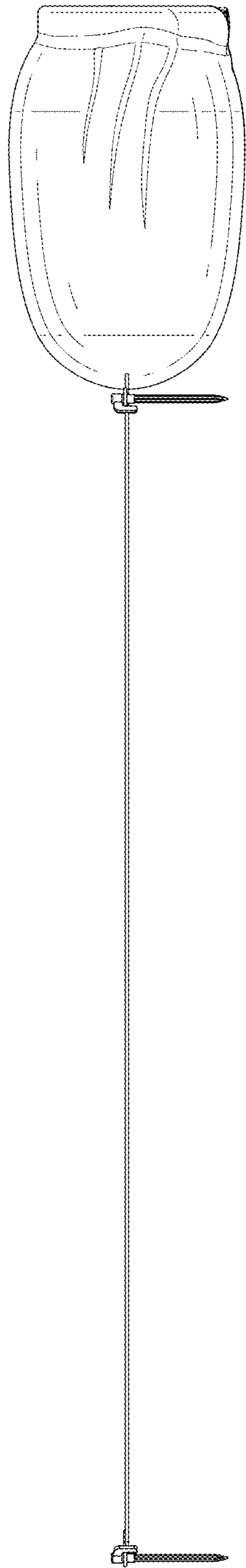


FIG. 6

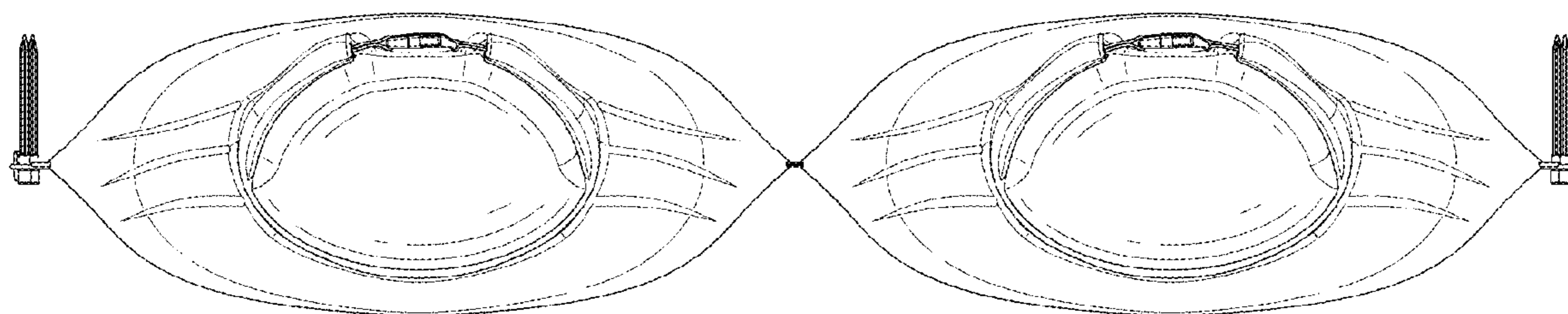


FIG. 7

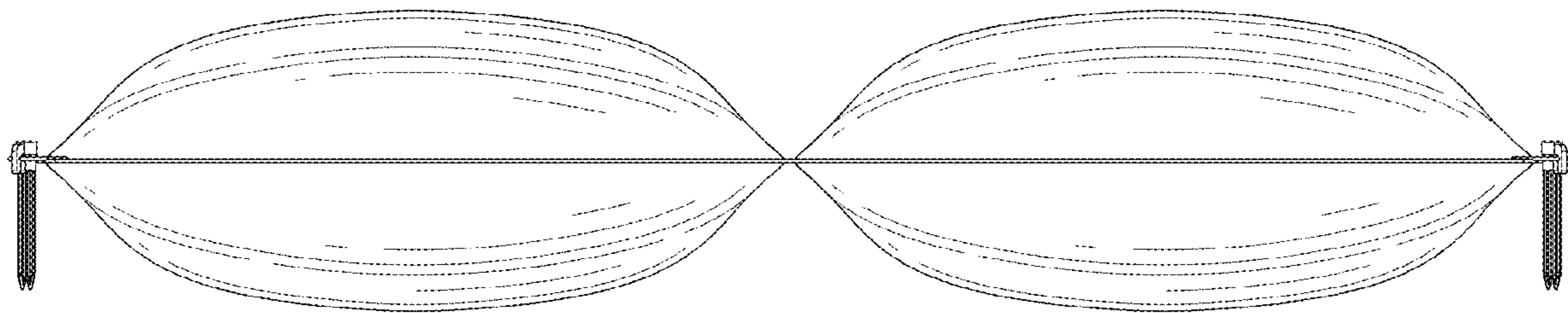


FIG. 8

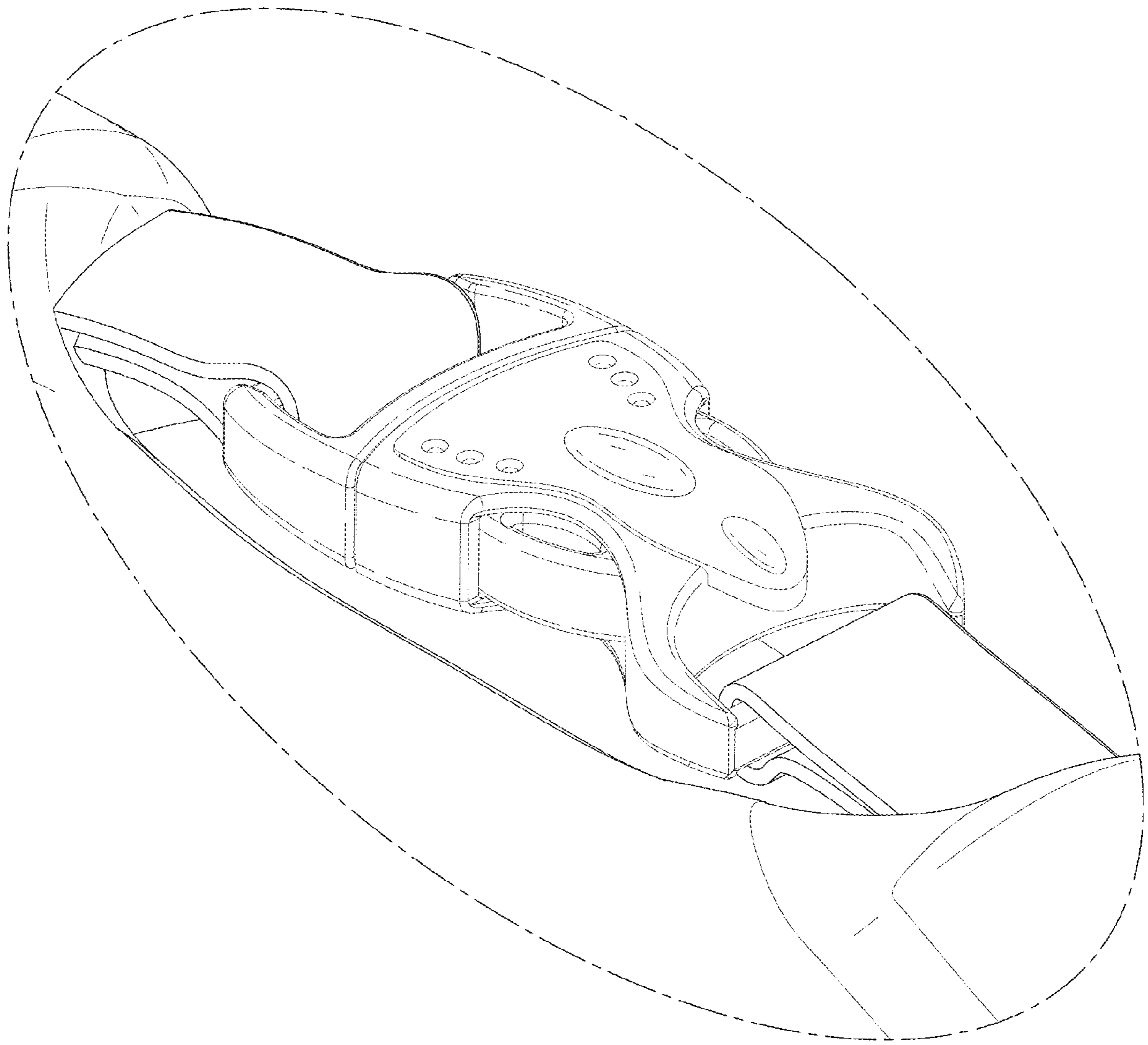


FIG. 9

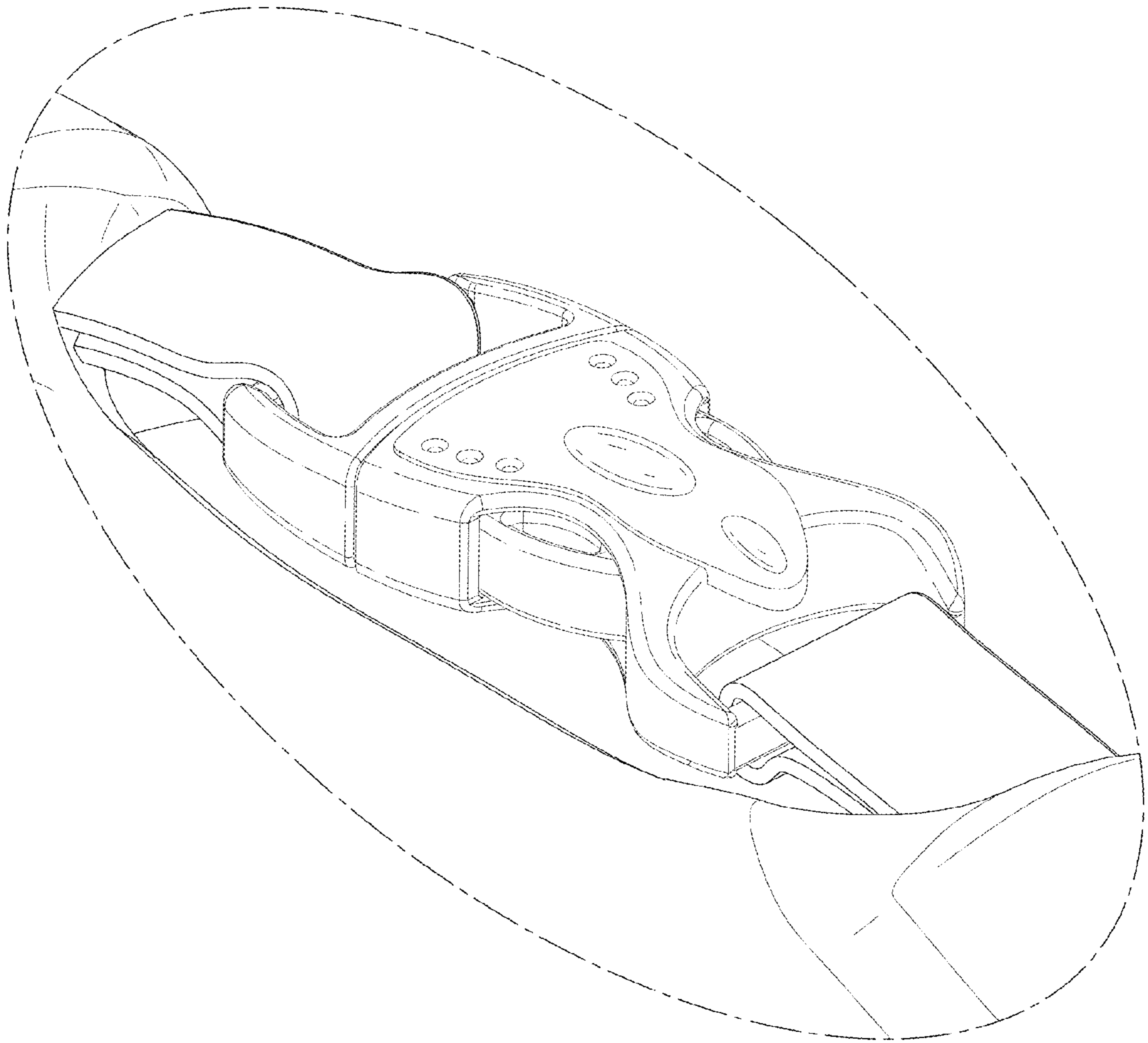


FIG. 10

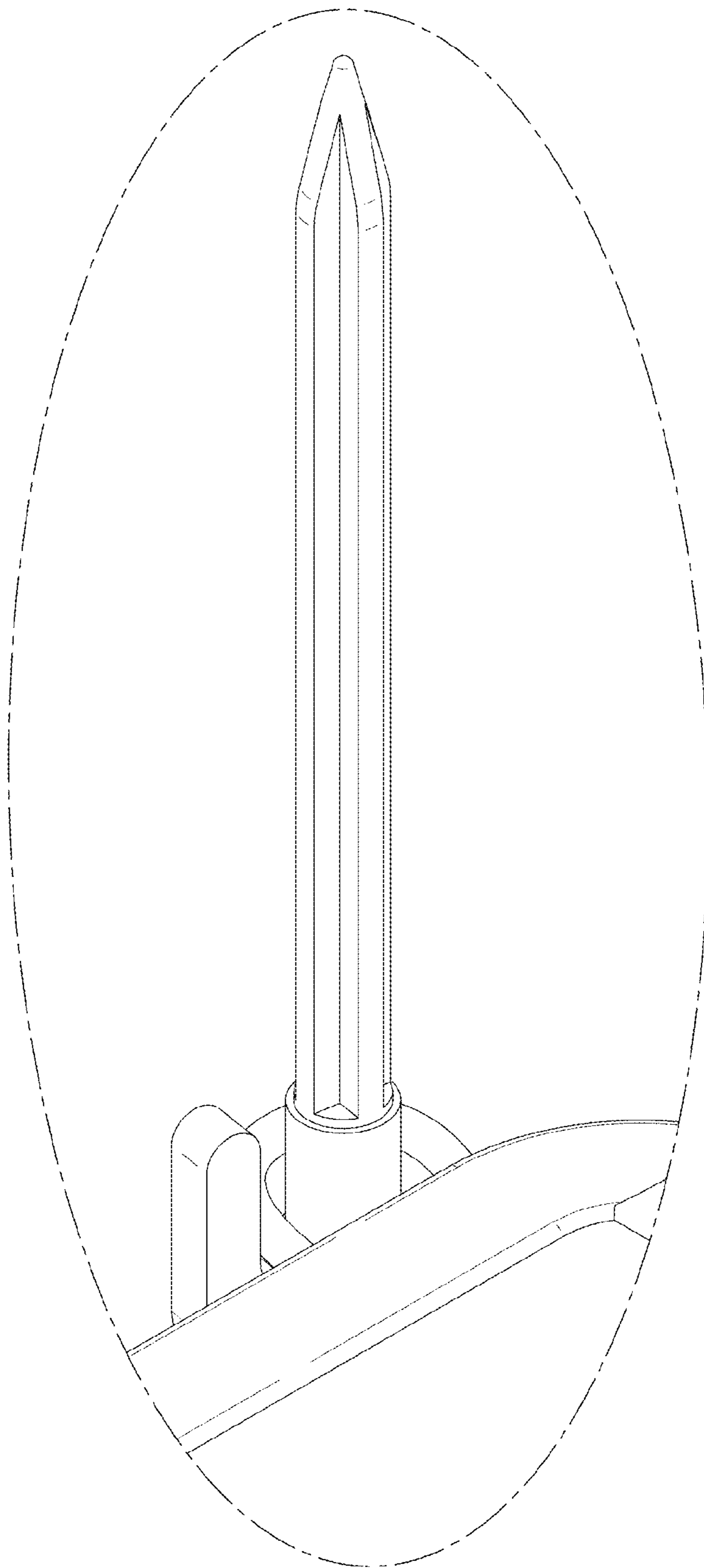


FIG. 11

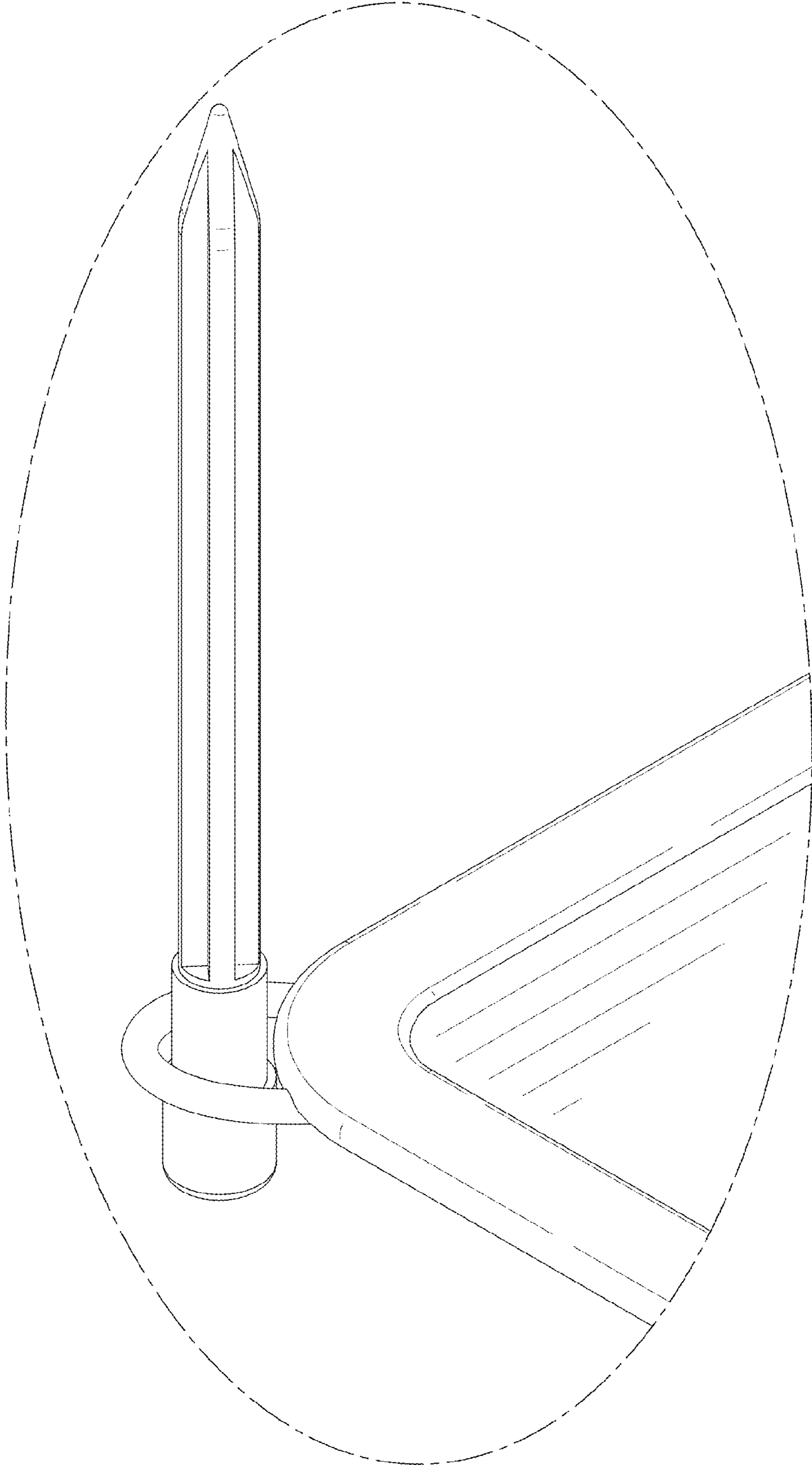


FIG. 12

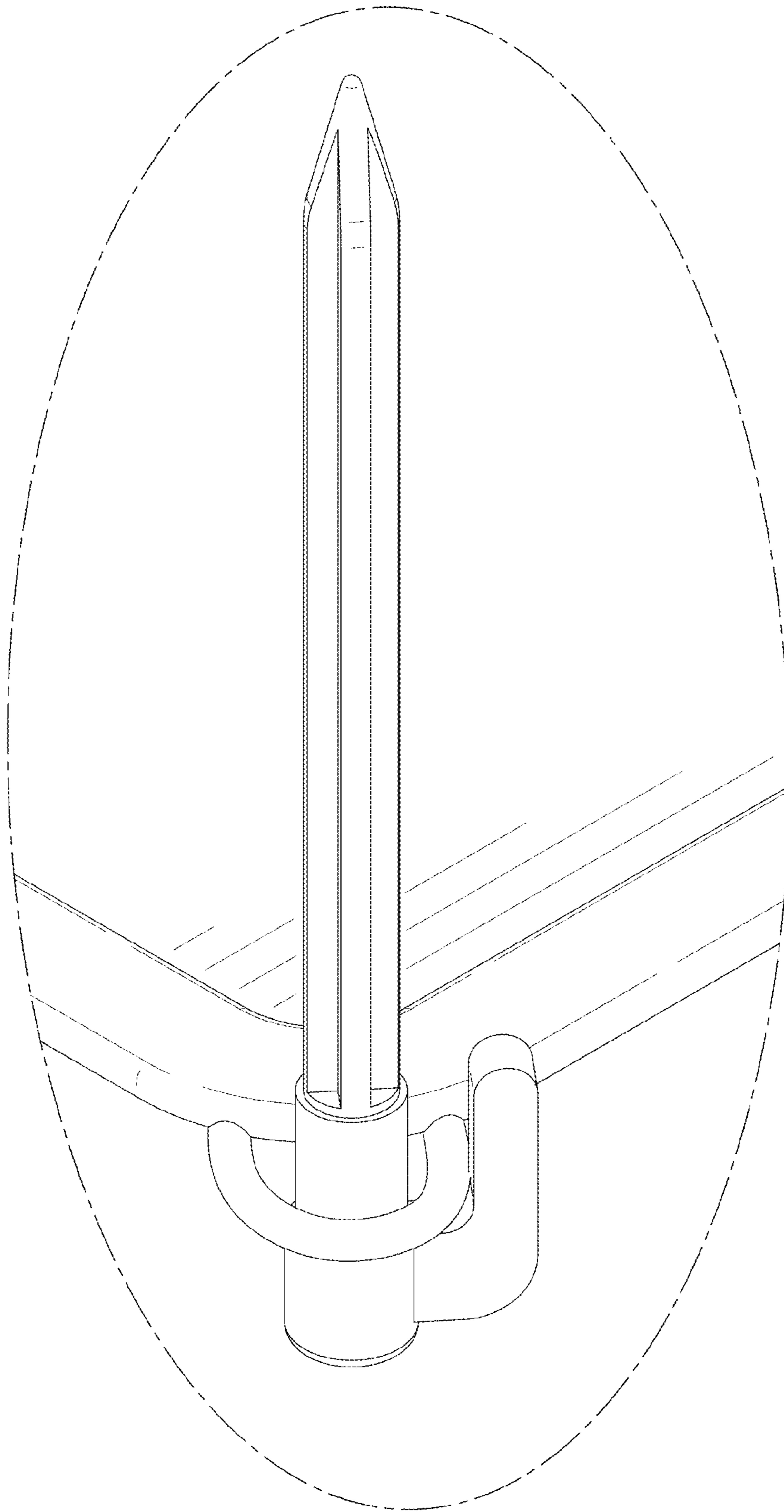


FIG. 13

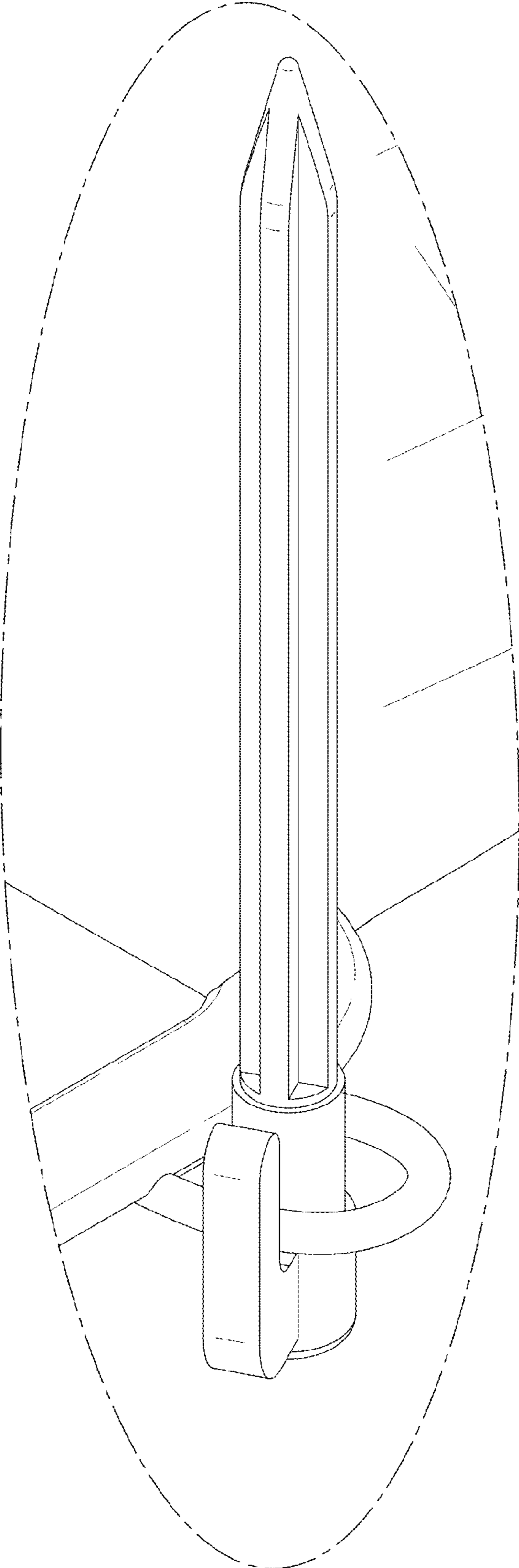


FIG. 14