



US00D904795S

(12) **United States Design Patent**
Johnson et al.

(10) **Patent No.:** **US D904,795 S**

(45) **Date of Patent:** **** Dec. 15, 2020**

(54) **PILLOW CASE**

(71) Applicants: **Janet Lynn Johnson**, Cape Girardeau, MO (US); **Nicholas Raleigh Johnson**, Cape Girardeau, MO (US)

(72) Inventors: **Janet Lynn Johnson**, Cape Girardeau, MO (US); **Nicholas Raleigh Johnson**, Cape Girardeau, MO (US)

(**) Term: **15 Years**

(21) Appl. No.: **29/677,357**

(22) Filed: **Jan. 18, 2019**

(51) **LOC (12) Cl.** **06-09**

(52) **U.S. Cl.**
USPC **D6/601**

(58) **Field of Classification Search**
USPC D6/595-601, 604, 606; D24/183, 190; D21/803, 809
CPC A47C 20/00; A47C 20/021; A47C 7/742; A47C 7/021; A47D 15/001; A47D 15/008; A47G 9/00; A47G 9/10; B62J 1/26

See application file for complete search history.

(56) **References Cited**

U.S. PATENT DOCUMENTS

2,183,418 A * 12/1939 Williams A47G 9/1045 5/485
3,974,531 A * 8/1976 Van Pelt A47G 9/0253 5/490
4,959,880 A * 10/1990 Tesch A47G 9/10 5/636
7,051,389 B2 * 5/2006 Wassilefky A47G 9/10 5/490
D581,713 S * 12/2008 Berke D6/601

8,572,779 B2 * 11/2013 Pratt A47G 9/10 5/636
D845,674 S * 4/2019 Hariri D6/601
2004/0019972 A1 * 2/2004 Schecter A47G 9/10 5/645
2005/0076442 A1 * 4/2005 Wassilefky A47G 9/10 5/636
2007/0256241 A1 * 11/2007 Harmon A47G 9/0253 5/489
2010/0200001 A1 * 8/2010 Randall A61F 5/56 128/845
2017/0020312 A1 * 1/2017 Davis A47G 9/10
2020/0069086 A1 * 3/2020 Little B68G 1/00

* cited by examiner

Primary Examiner — Jennifer L Rempfer

(74) *Attorney, Agent, or Firm* — Michael D. Eisenberg

(57) **CLAIM**

The ornamental design for a pillow case, as shown and described.

DESCRIPTION

FIG. 1 is a perspective view of a pillow case showing our new design;

FIG. 2 is a right-side view of the pillow case;

FIG. 3 is a front view of the pillow case;

FIG. 4 is a top view of the pillow case;

FIG. 5 is a rear view of the pillow case;

FIG. 6 is a left-side view of the pillow case;

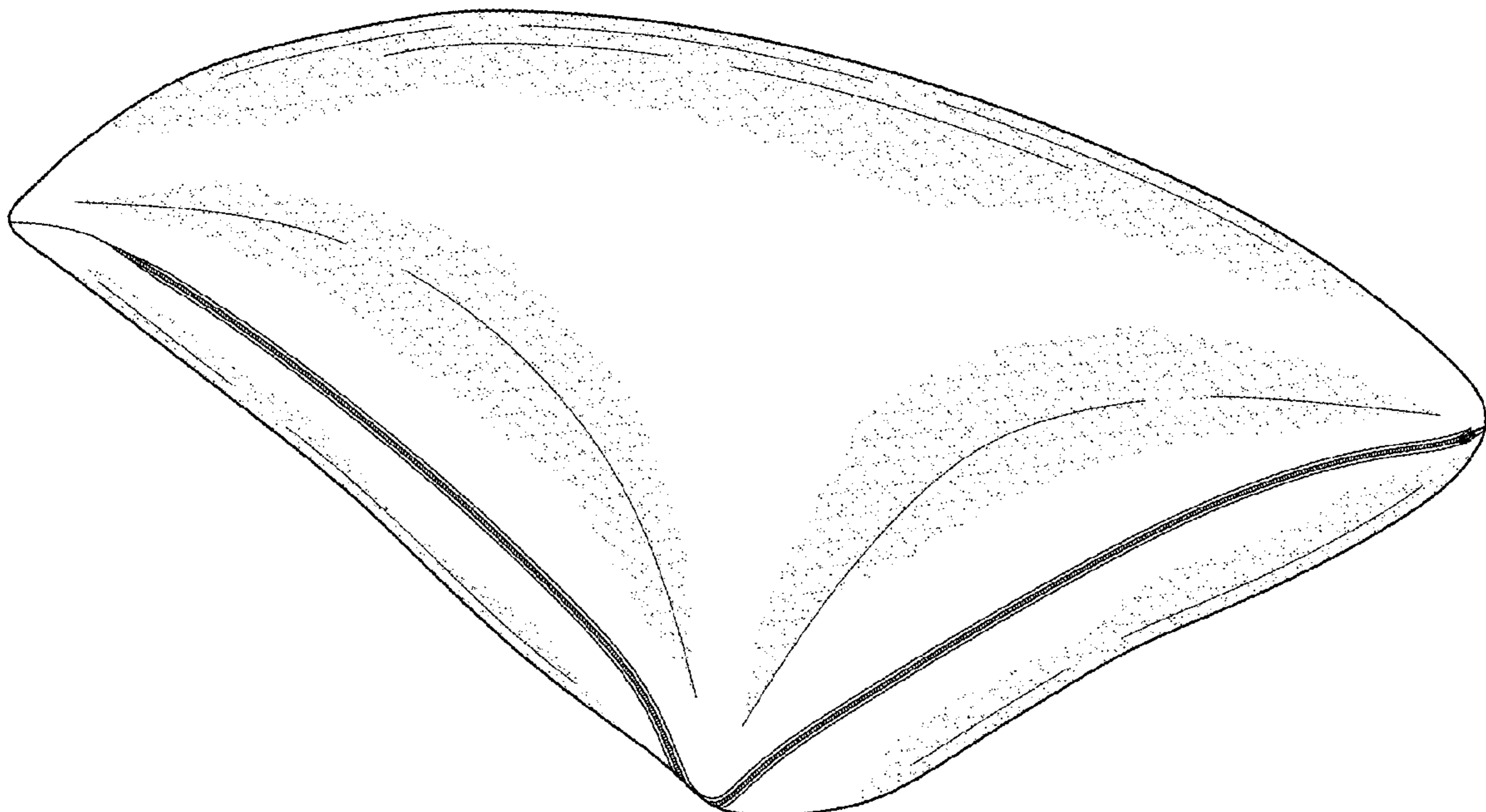
FIG. 7 is a bottom side view of the pillow case;

FIG. 8 is a perspective view of the pillow case, with the L-shaped zipper open; and,

FIG. 9 is a perspective view of the double pillow contained in the pillow case.

The broken lines shown are for illustrative purposes only and form no part of the claimed design.

1 Claim, 4 Drawing Sheets



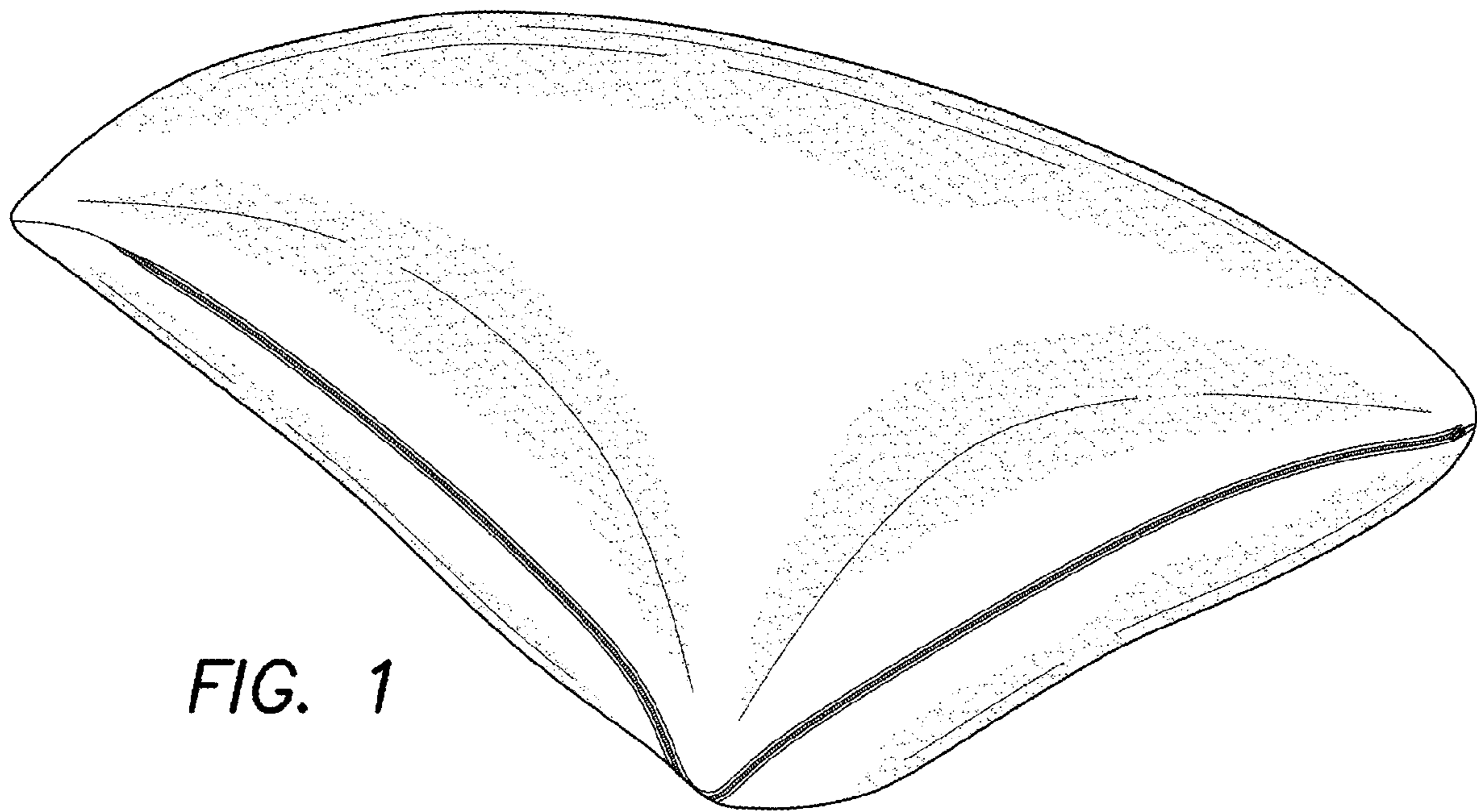


FIG. 1

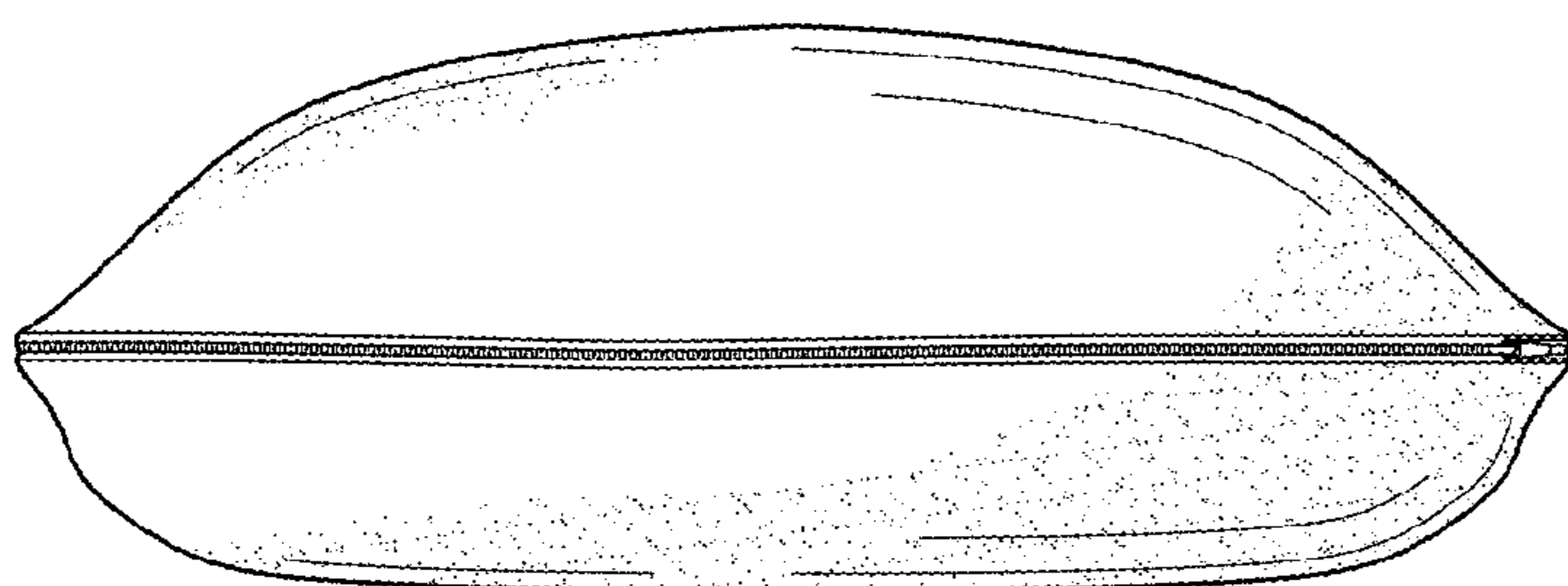


FIG. 2

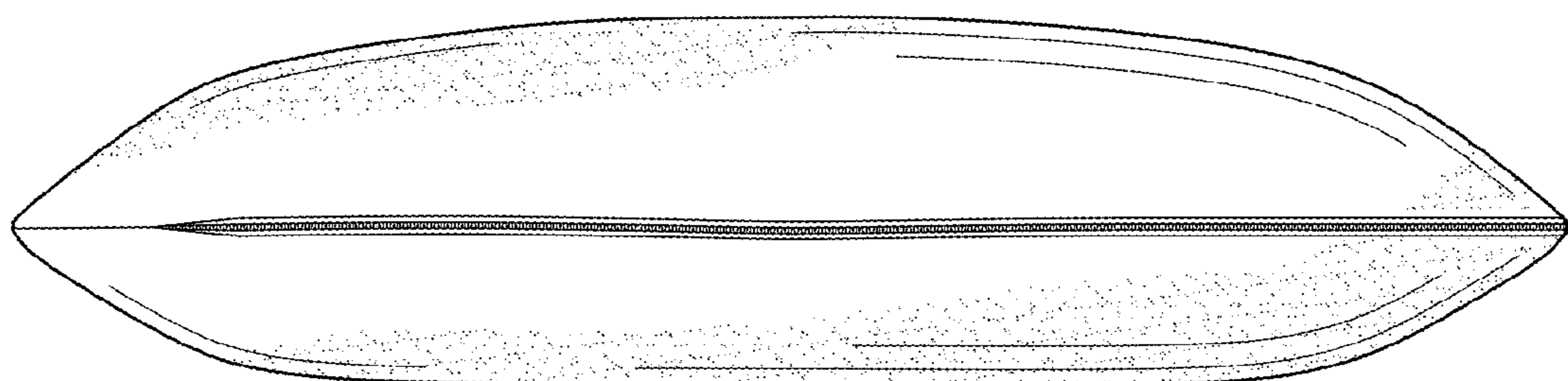


FIG. 3

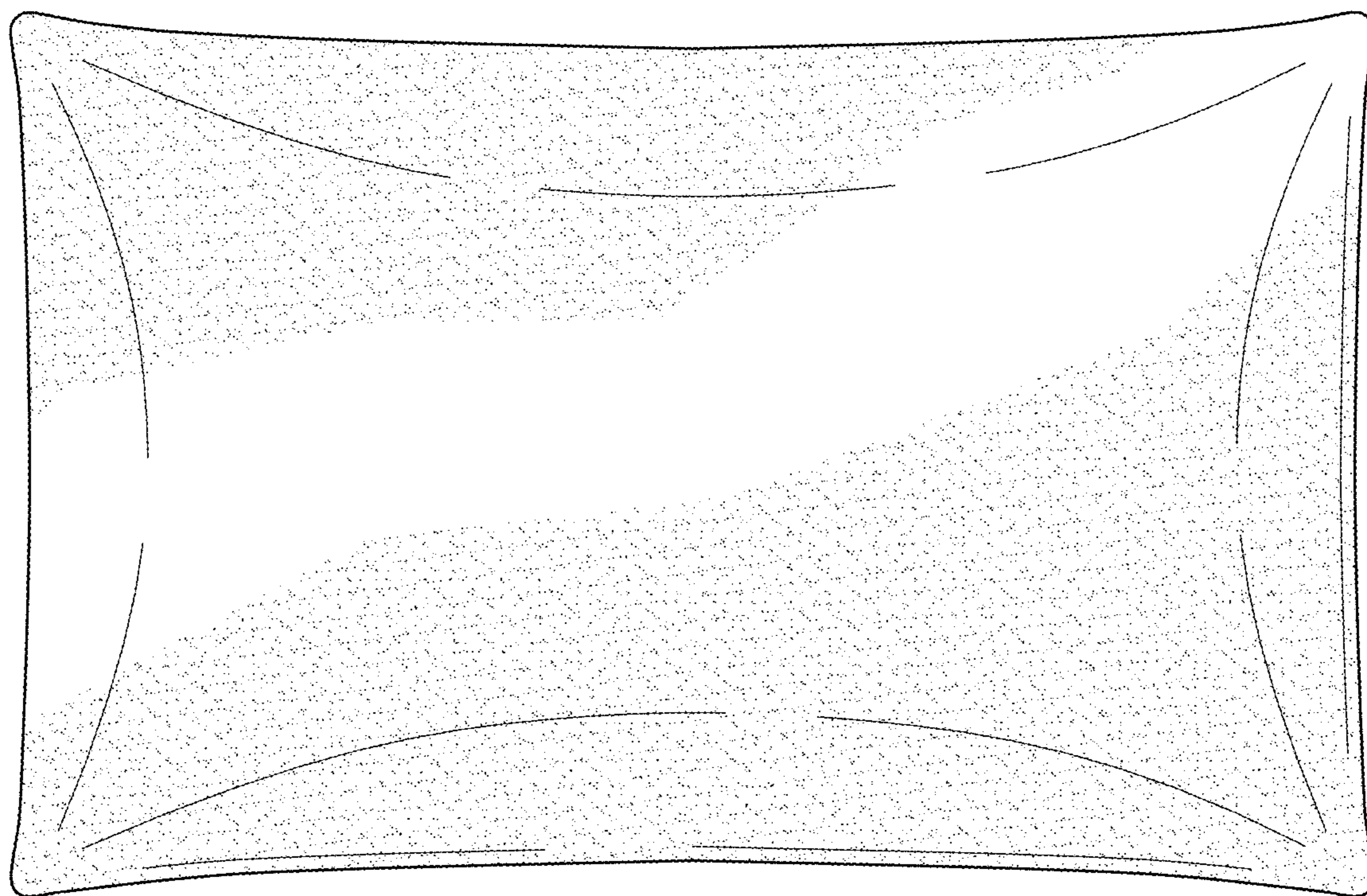


FIG. 4

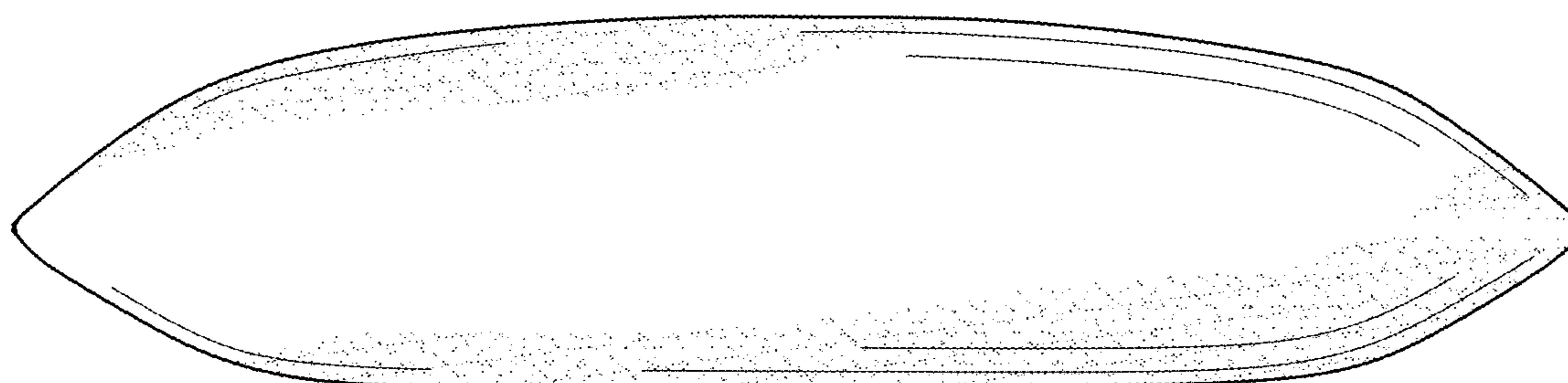


FIG. 5

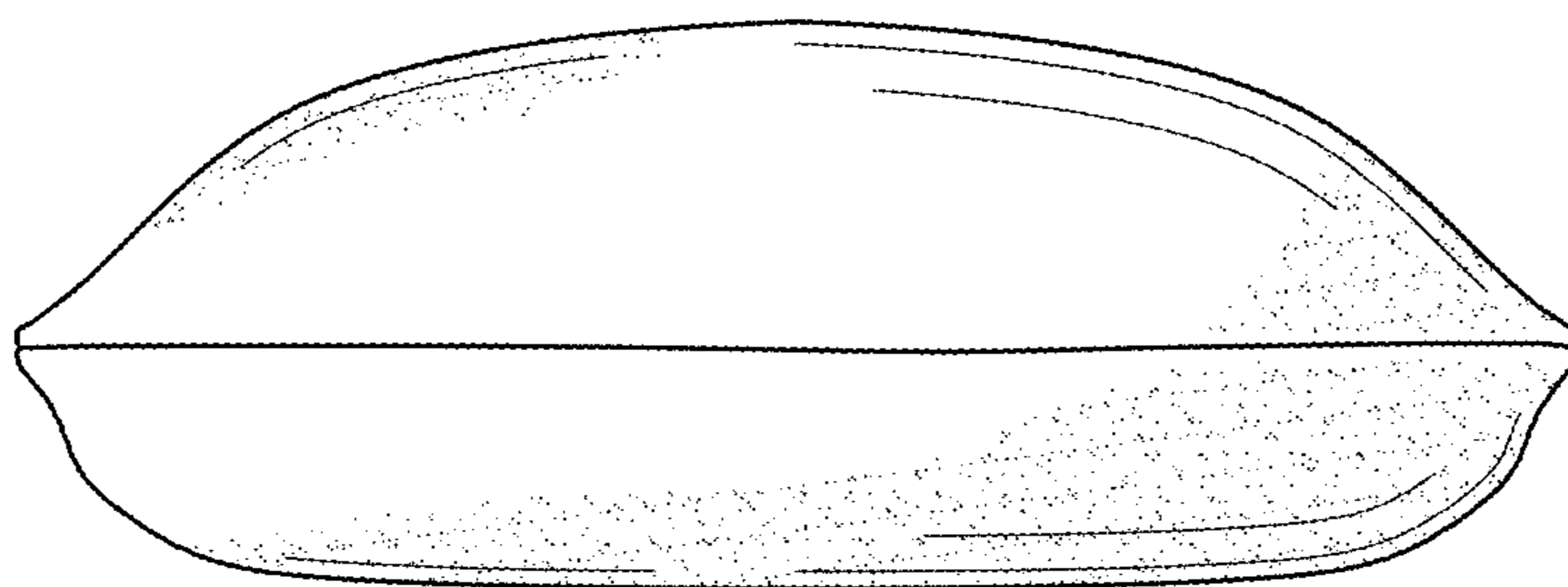


FIG. 6

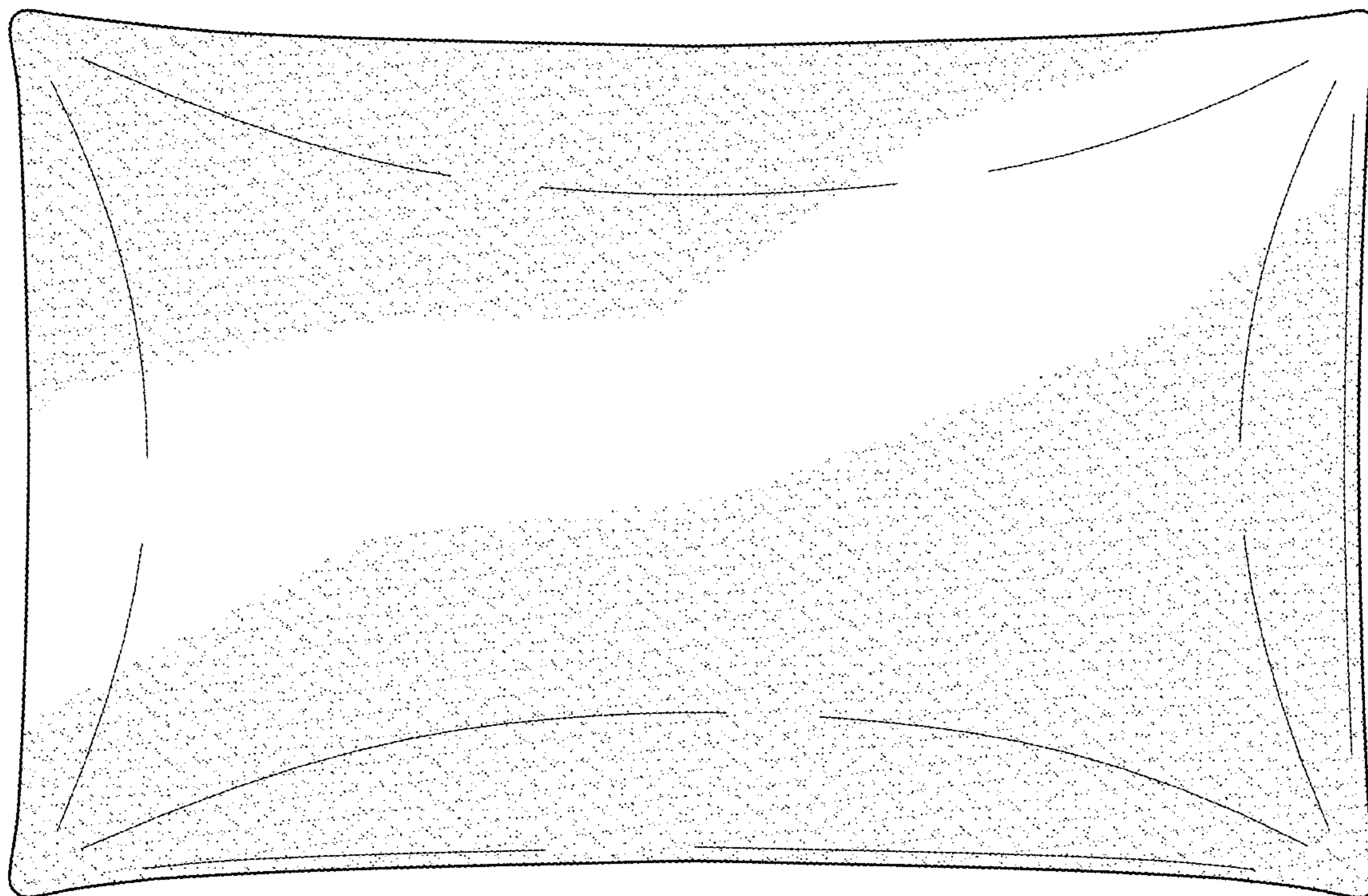


FIG. 7

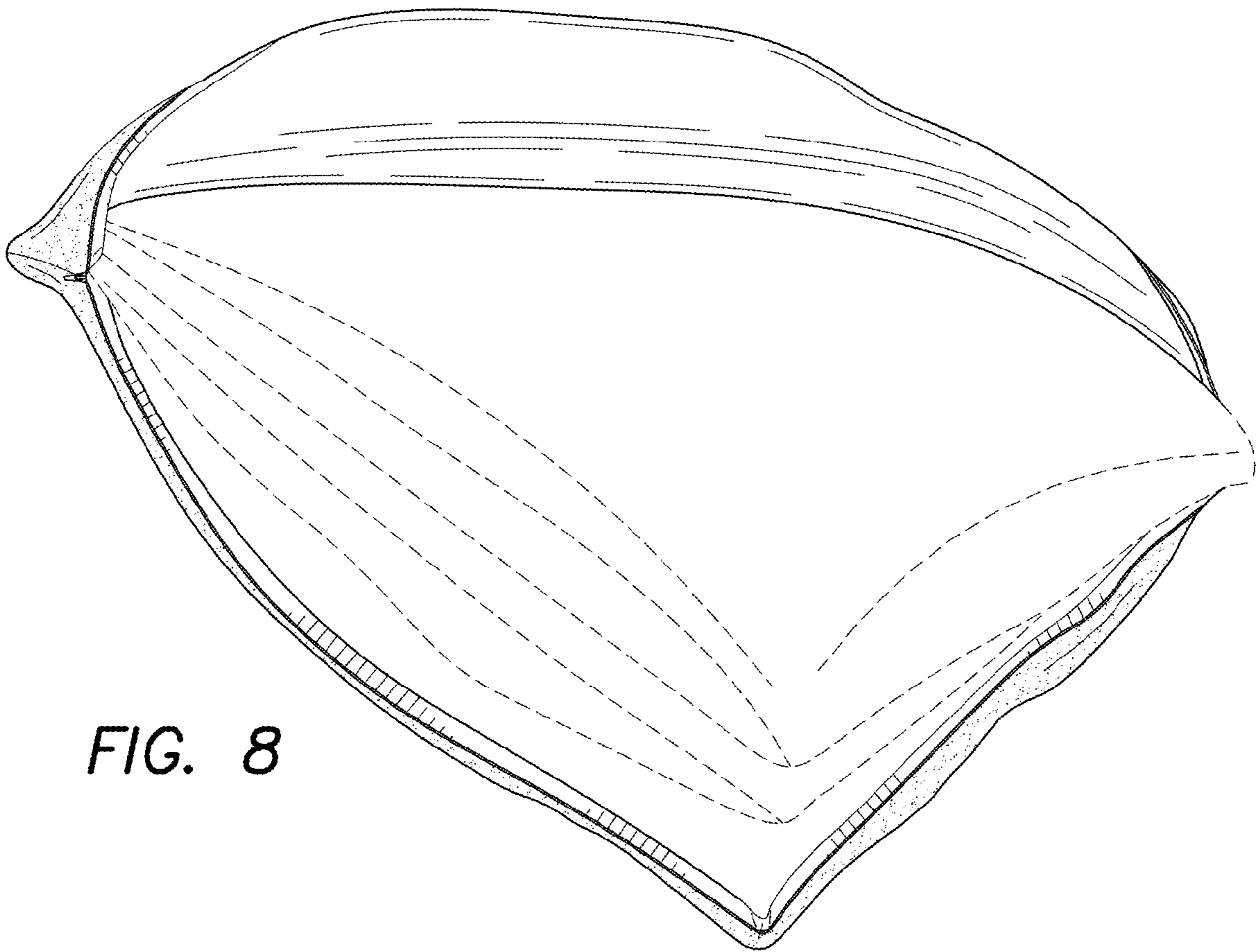


FIG. 8

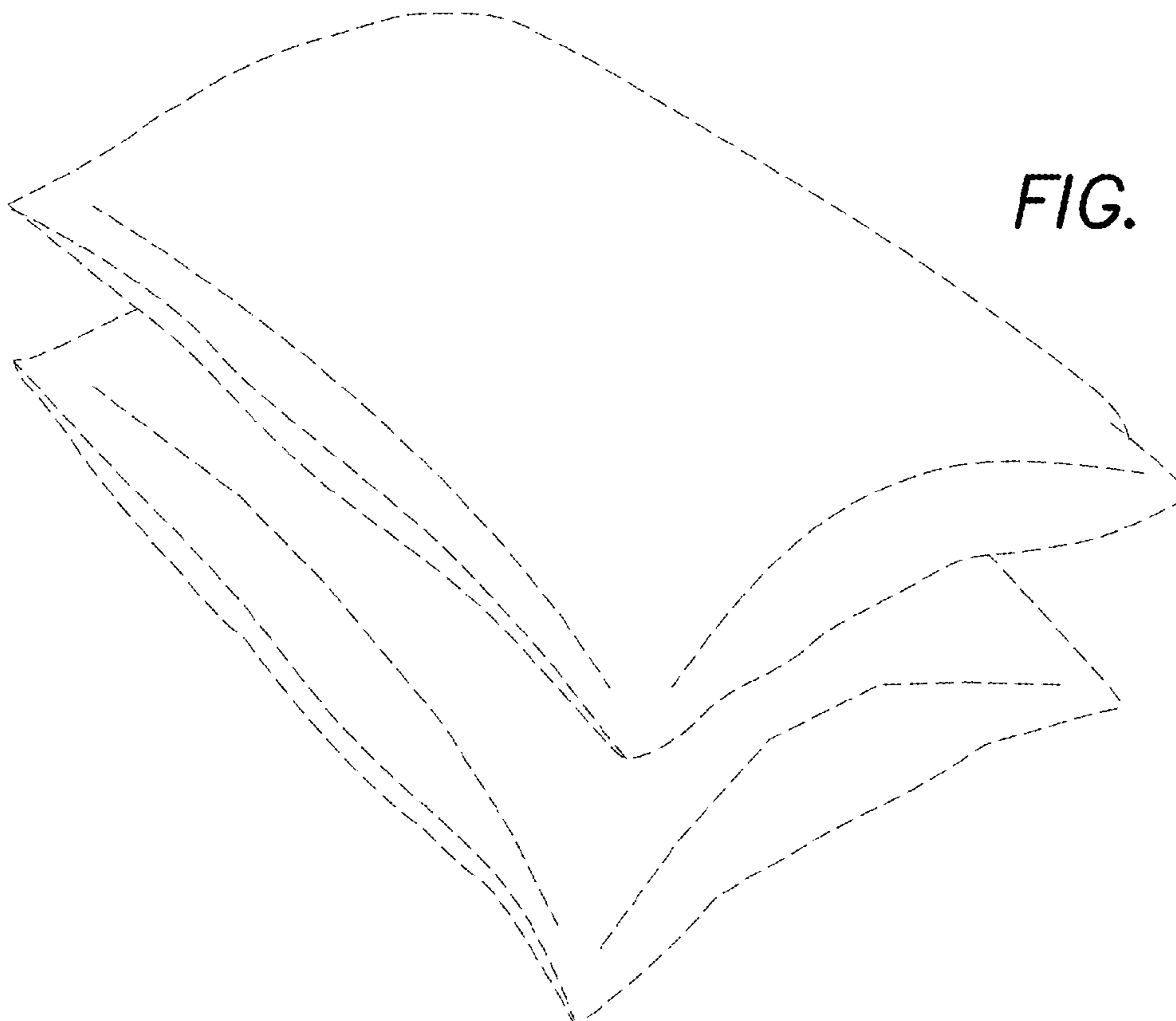


FIG. 9