



US00D904793S

(12) **United States Design Patent**
Keever

(10) **Patent No.:** **US D904,793 S**
(45) **Date of Patent:** **** Dec. 15, 2020**

(54) **MATTRESS WITH BASE ACCESSORY**

DESCRIPTION

- (71) Applicant: **COLONIAL, LLC**, High Point, NC (US)
- (72) Inventor: **Wesley Ray Keever**, High Point, NC (US)
- (73) Assignee: **COLONIAL, LLC**, High Point, NC (US)
- (**) Term: **15 Years**
- (21) Appl. No.: **29/636,864**
- (22) Filed: **Feb. 12, 2018**
- (51) **LOC (12) Cl.** **06-02**
- (52) **U.S. Cl.**
USPC **D6/596**
- (58) **Field of Classification Search**
USPC D6/595, 596, 597, 601, 605, 390
(Continued)

FIG. 1 is a front-right side perspective view of a mattress with base accessory in accordance with a first embodiment of my new design;
 FIG. 2 is a front view thereof;
 FIG. 3 is a back view thereof;
 FIG. 4 is a right side view thereof;
 FIG. 5 is a left side view thereof;
 FIG. 6 is a top view thereof;
 FIG. 7 is a bottom view thereof;
 FIG. 8 is a flat, unattached view of the base accessory of FIG. 1; the mattress and frame shown removed for ease of illustration;
 FIG. 9 is a front-right side perspective view of the base accessory; the mattress and frame shown removed for ease of illustration;
 FIG. 10 is a front-right side perspective view of the base accessory of FIG. 1, showing the frame attached; the mattress shown removed for ease of illustration;
 FIG. 11 is a front-right side perspective view of the mattress with base accessory of FIG. 1;
 FIG. 12 is a front-right side perspective view of a mattress with base accessory in accordance with a second embodiment of the design;
 FIG. 13 is a front view thereof;
 FIG. 14 is a back view thereof;
 FIG. 15 is a right side view thereof;
 FIG. 16 is a left side view thereof;
 FIG. 17 is a top view thereof;
 FIG. 18 is a bottom view thereof;
 FIG. 19 is a flat, unattached view of the base accessory of FIG. 12; the mattress and frame shown removed for ease of illustration;
 FIG. 20 is a front-right side perspective view of the mattress with base accessory of FIG. 12; the mattress and frame shown removed for ease of illustration;
 FIG. 21 is a front-right side perspective view of the base accessory of FIG. 12, showing the frame attached; the mattress shown removed for ease of illustration; and,
 FIG. 22 is a front-right side perspective view thereof.
 The broken lines illustrate environmental structure and the portions of the design that form no part of the claimed design. In addition, the surface shading, if any, illustrated in

(56) **References Cited**

U.S. PATENT DOCUMENTS

- 4,062,077 A * 12/1977 Autrey A47C 27/085
5/668
- 4,173,049 A * 11/1979 Underwood A47C 27/085
5/678

(Continued)

FOREIGN PATENT DOCUMENTS

- JP 2010259701 A * 11/2010 A47C 27/064

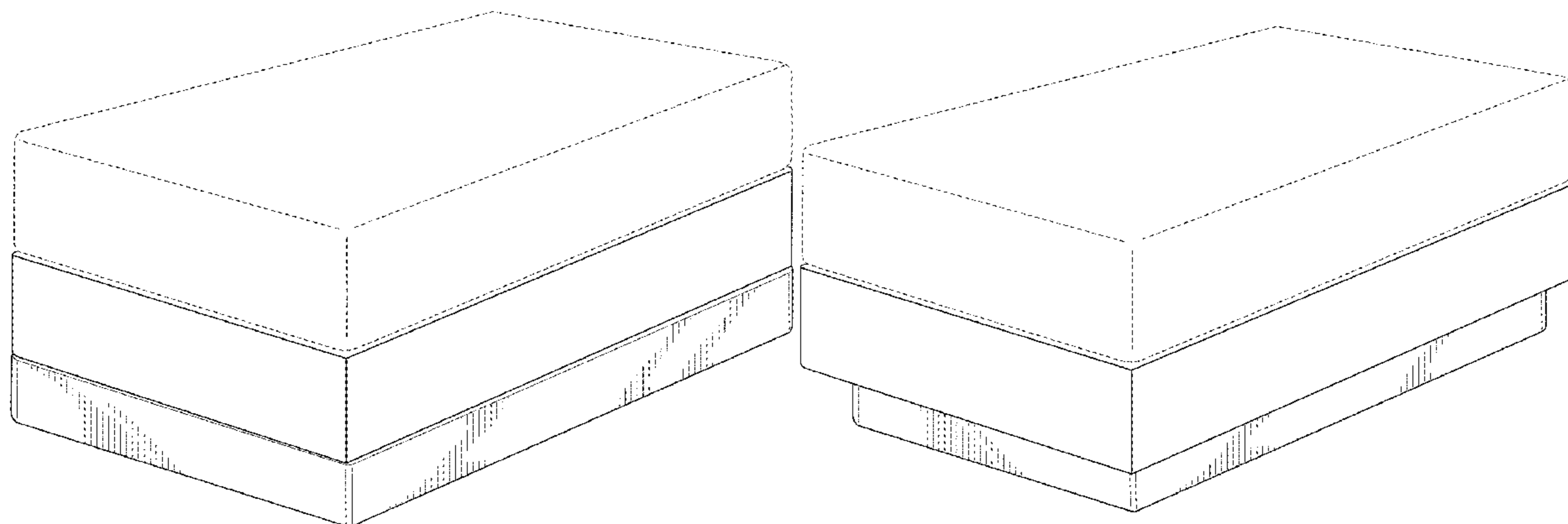
Primary Examiner — R. Johnson

(74) *Attorney, Agent, or Firm* — Moore & Van Allen PLLC; Nicholas C. Russell

(57) **CLAIM**

The ornamental design for a mattress with base accessory, as shown and described.

(Continued)



the drawings is provided merely to highlight the contour of the design; it is not intended to be illustrative of texture or gloss.

1 Claim, 18 Drawing Sheets

(58) **Field of Classification Search**

CPC A47C 27/00; A47C 27/08; A47C 27/12;
A47C 27/14; A47C 19/00; A47C 23/00;
A47C 31/00; A47C 31/10; A47C 27/001;
A47G 9/083; A47G 9/10; A47G 9/1009;
A47G 2009/1018

See application file for complete search history.

(56) **References Cited**

U.S. PATENT DOCUMENTS

D774,802 S * 12/2016 Bergeman D6/596
2003/0177579 A1 * 9/2003 Diak/Ghanem A47G 9/02
5/499
2009/0100606 A1 * 4/2009 An A47C 27/001
5/716

* cited by examiner

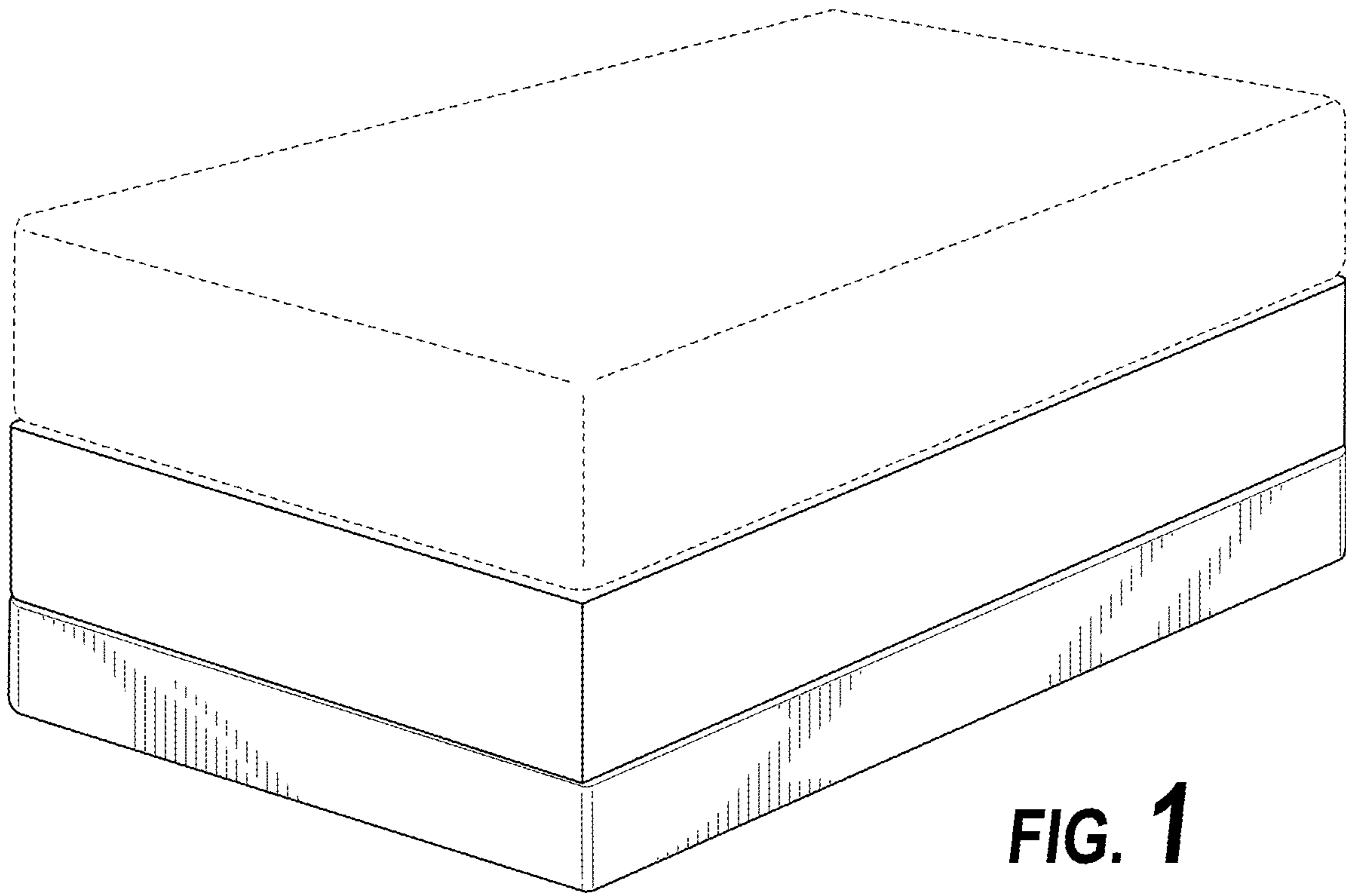


FIG. 1

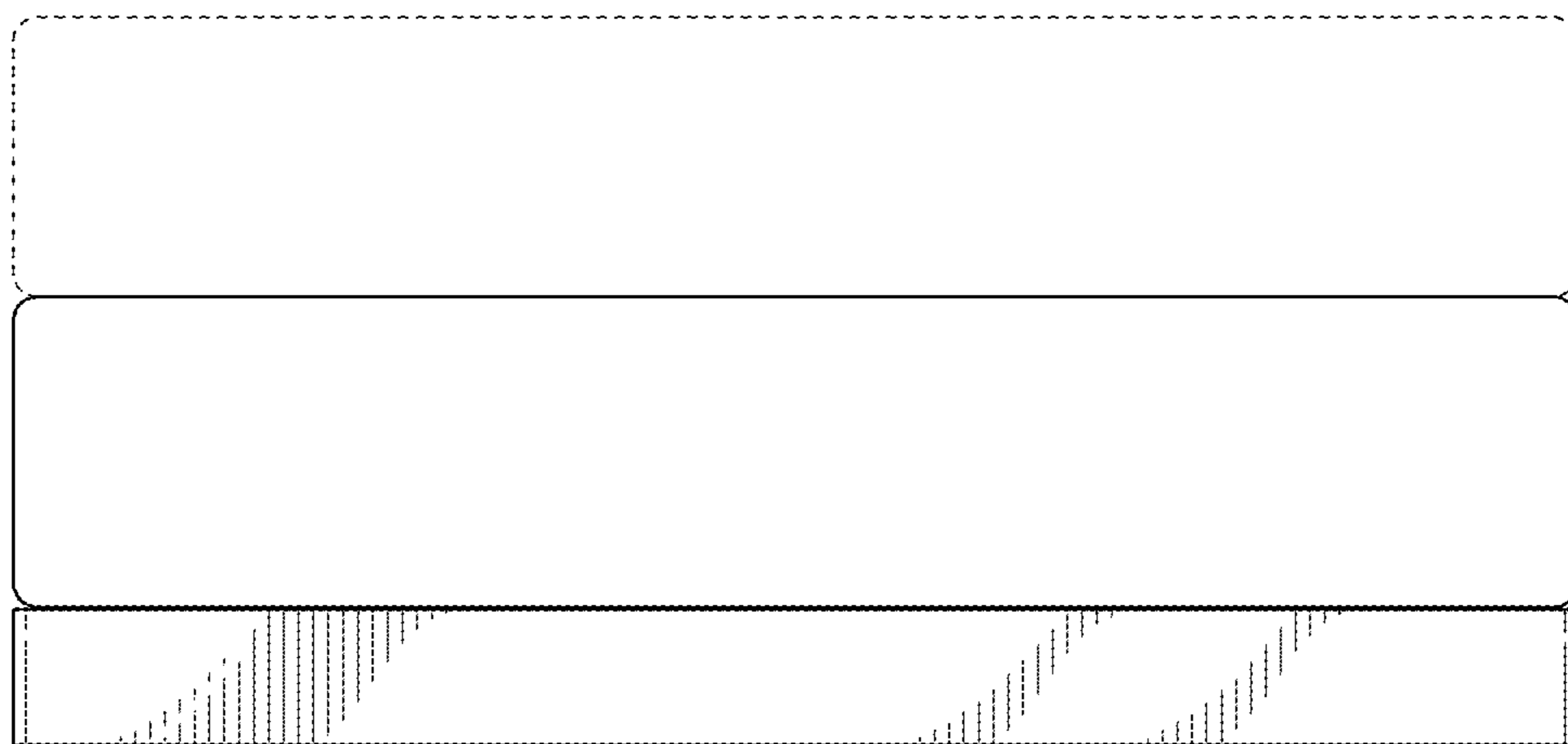


FIG. 2

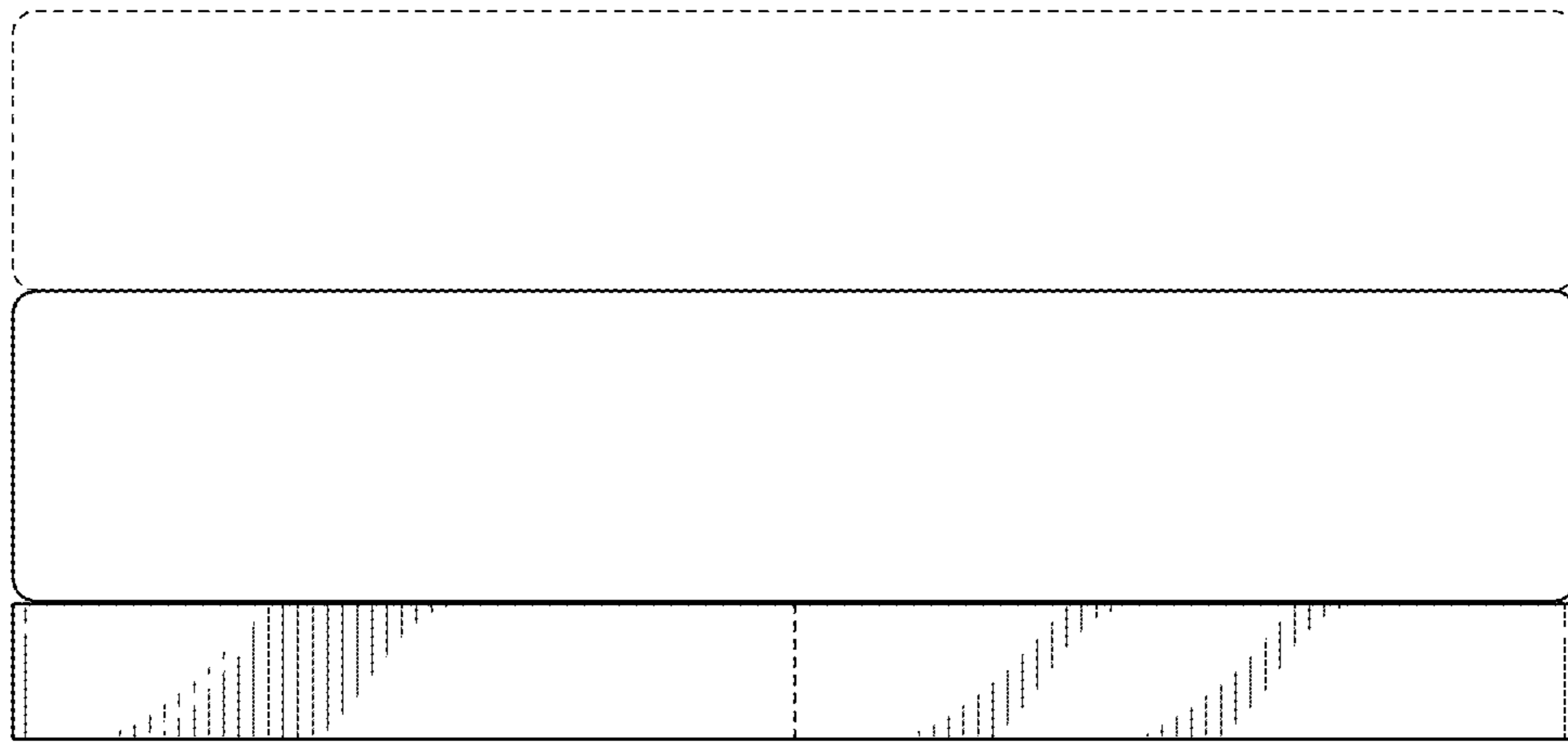


FIG. 3

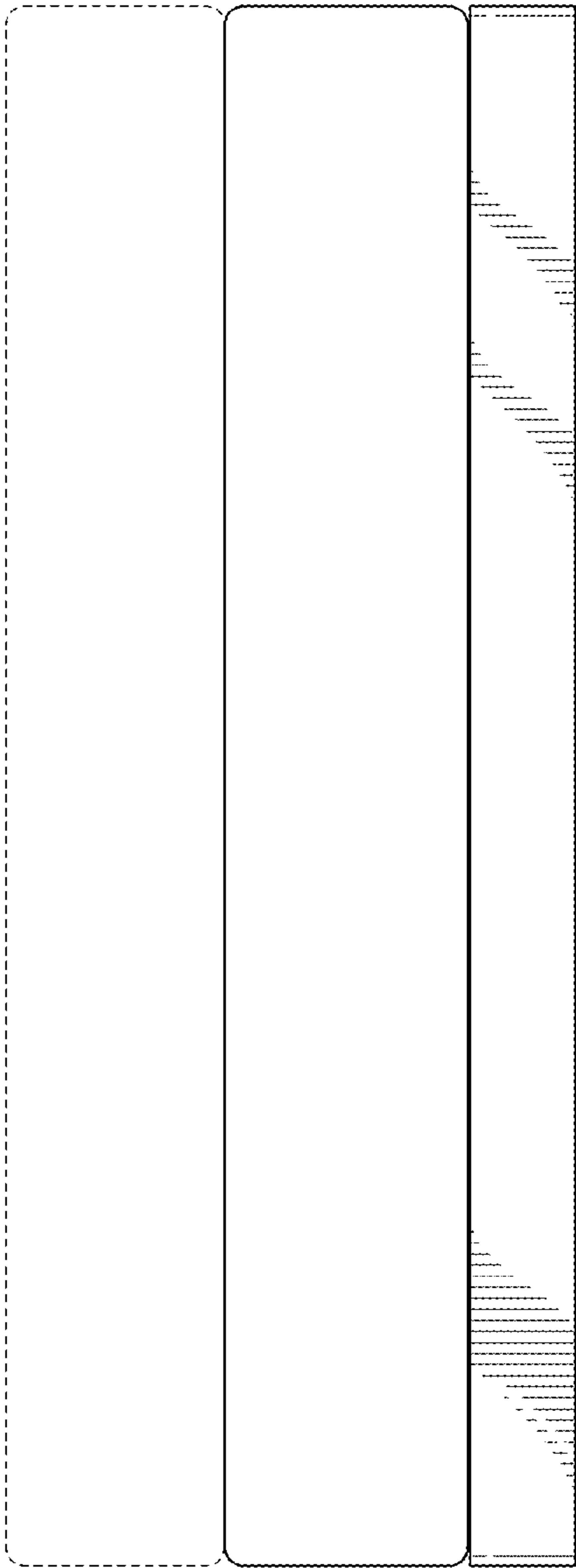


FIG. 4

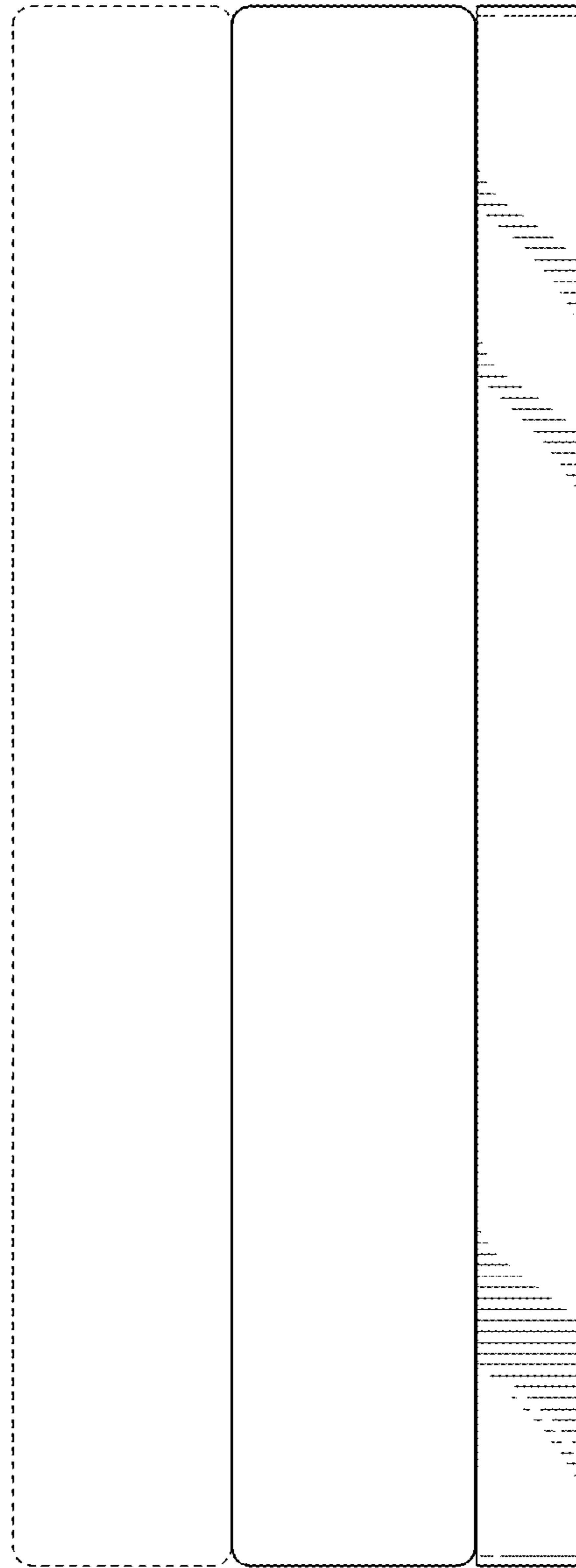


FIG. 5

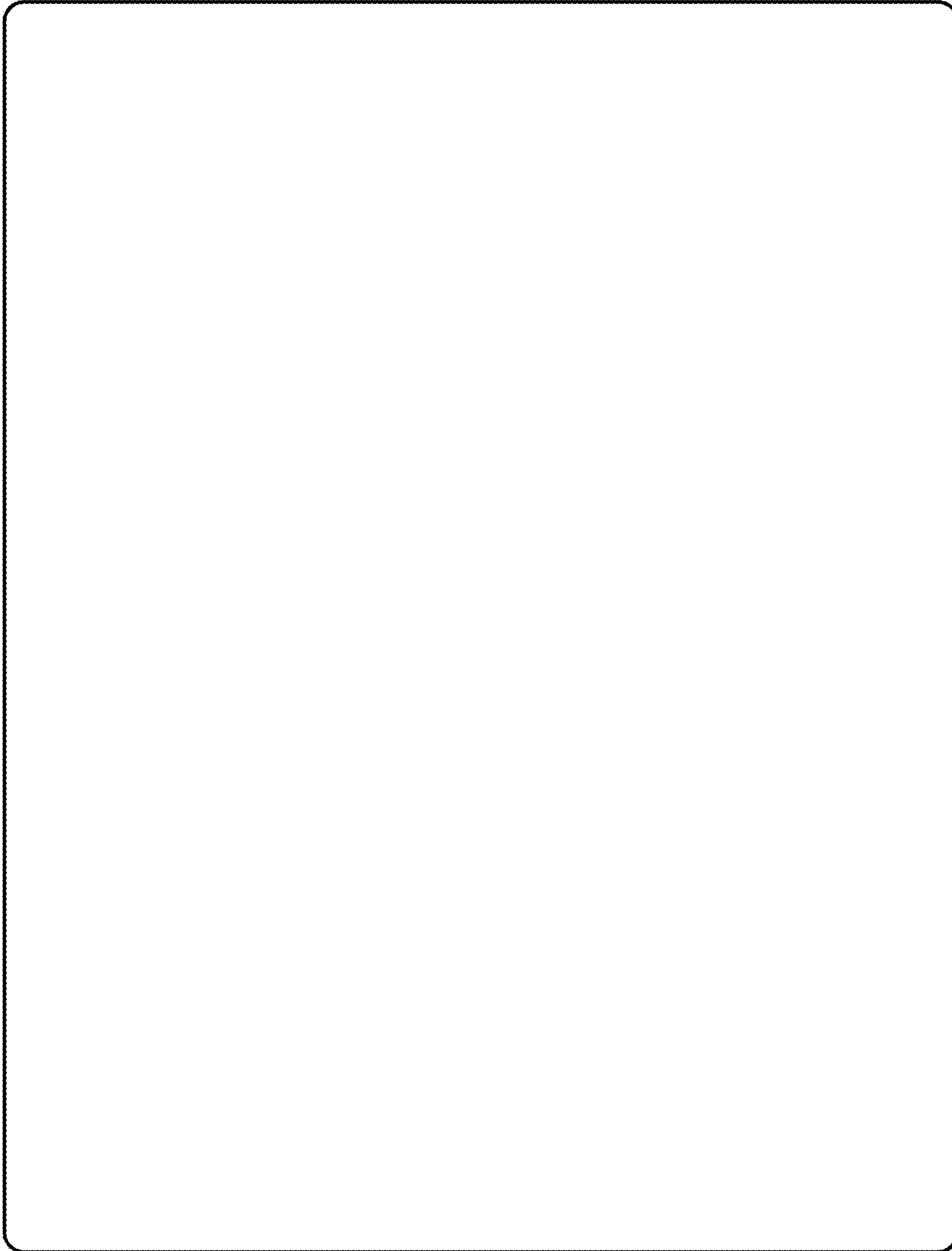


FIG. 6

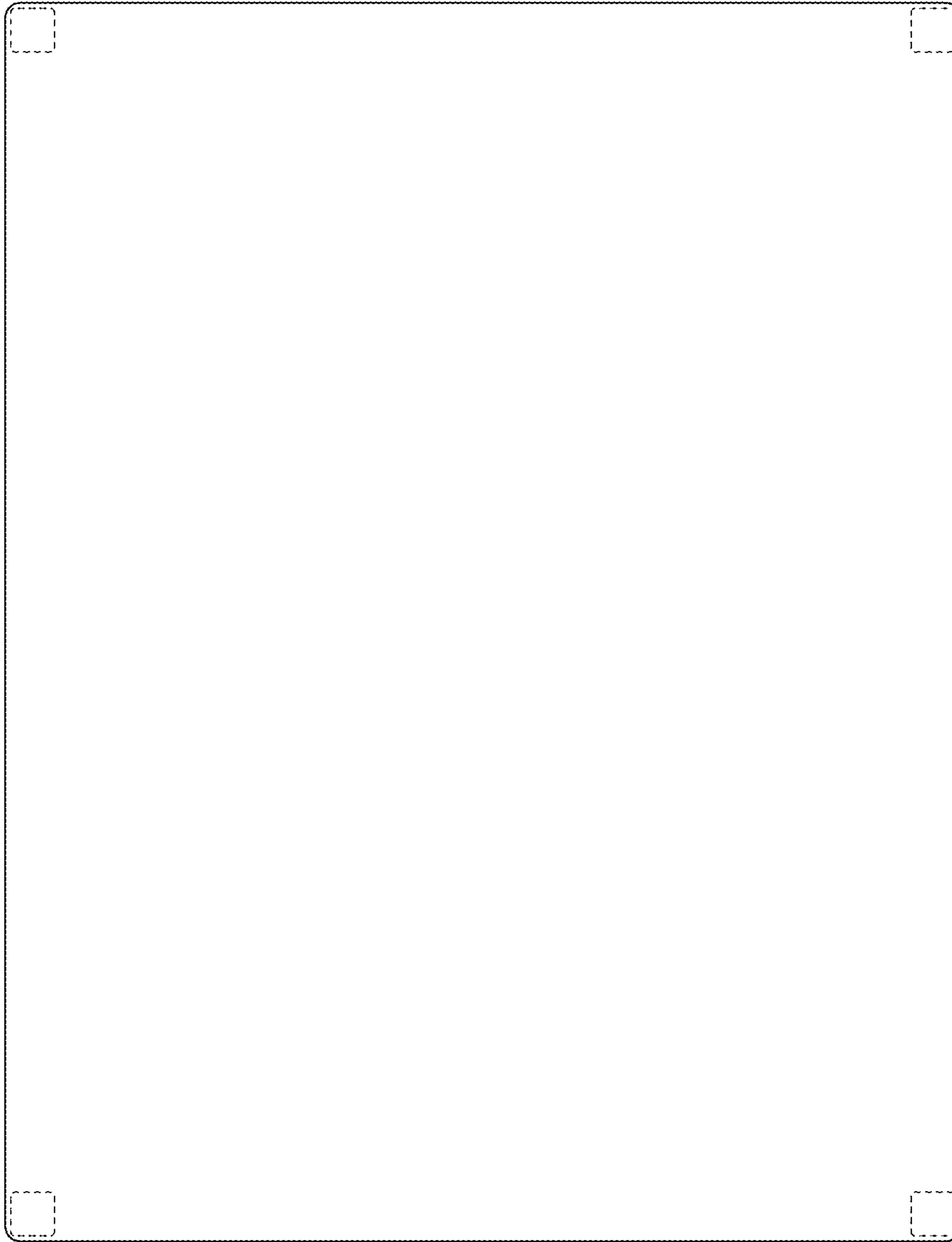


FIG. 7

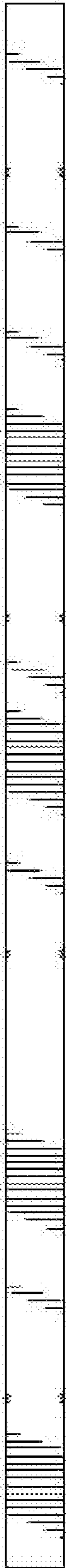


FIG. 8

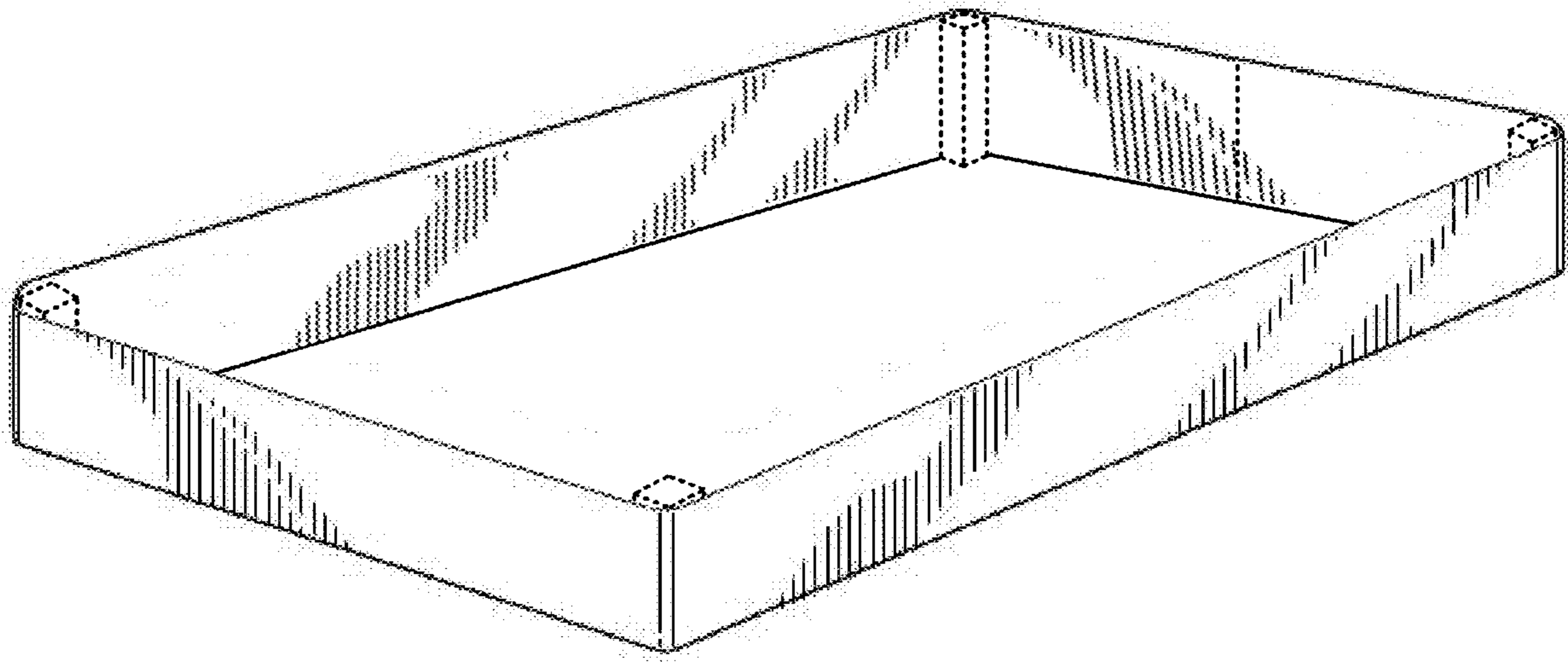


FIG. 9

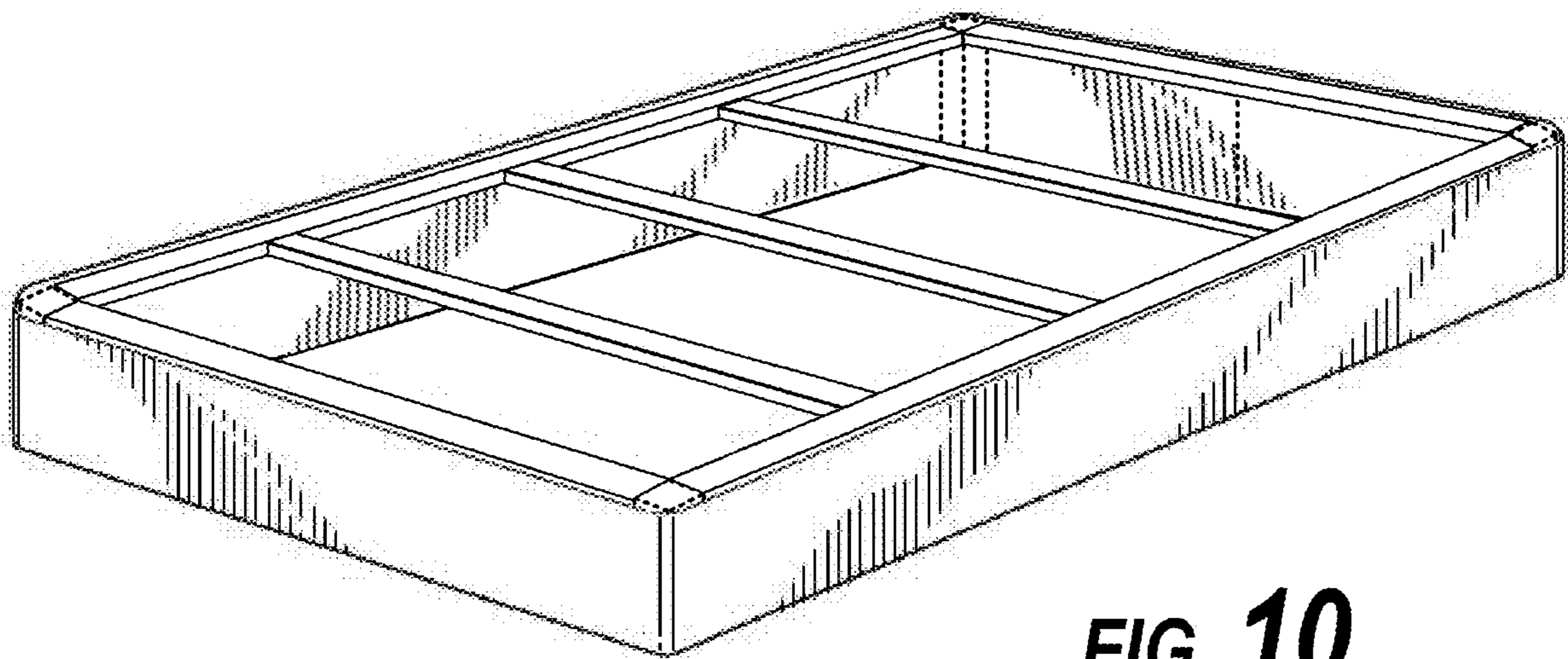


FIG. 10

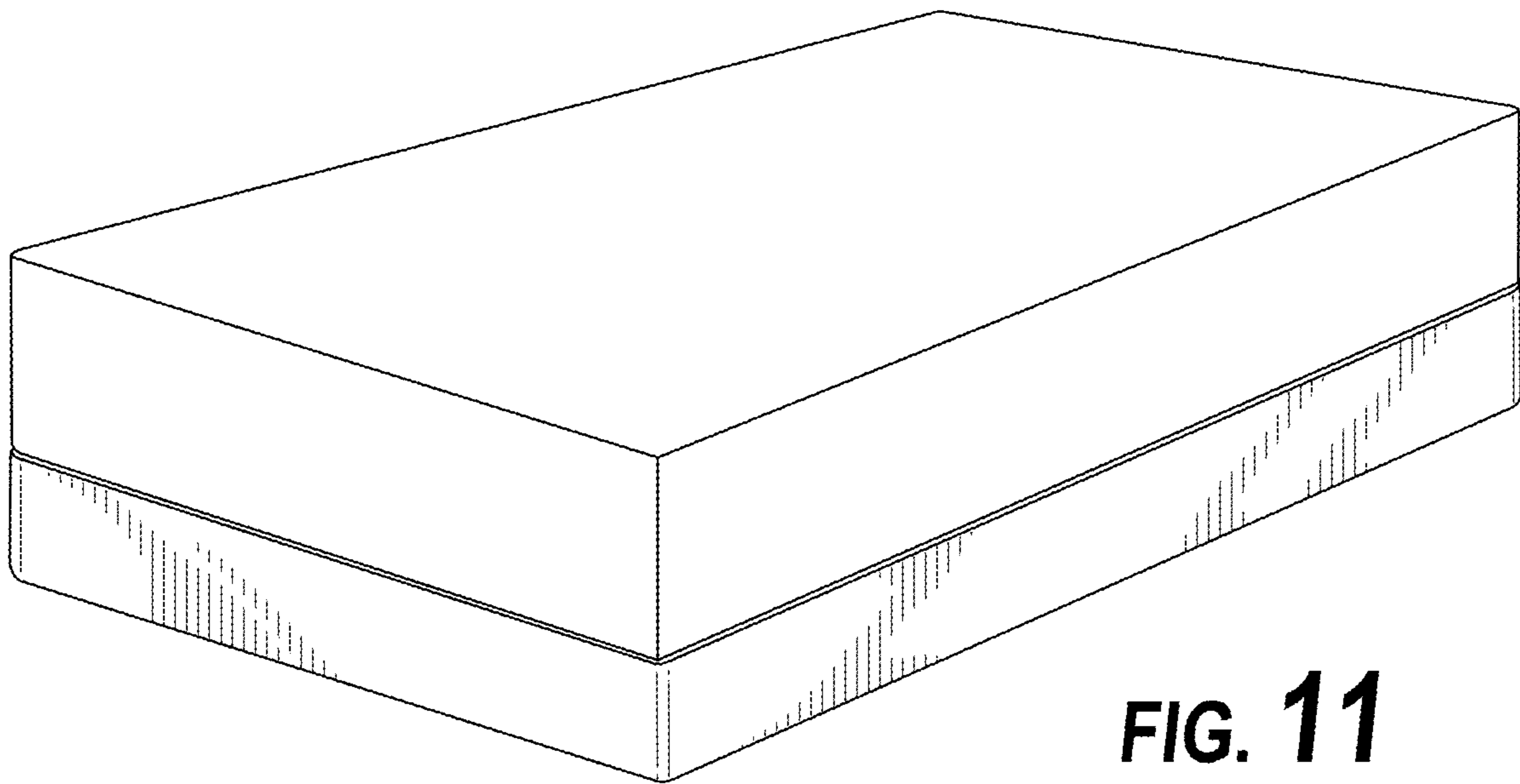
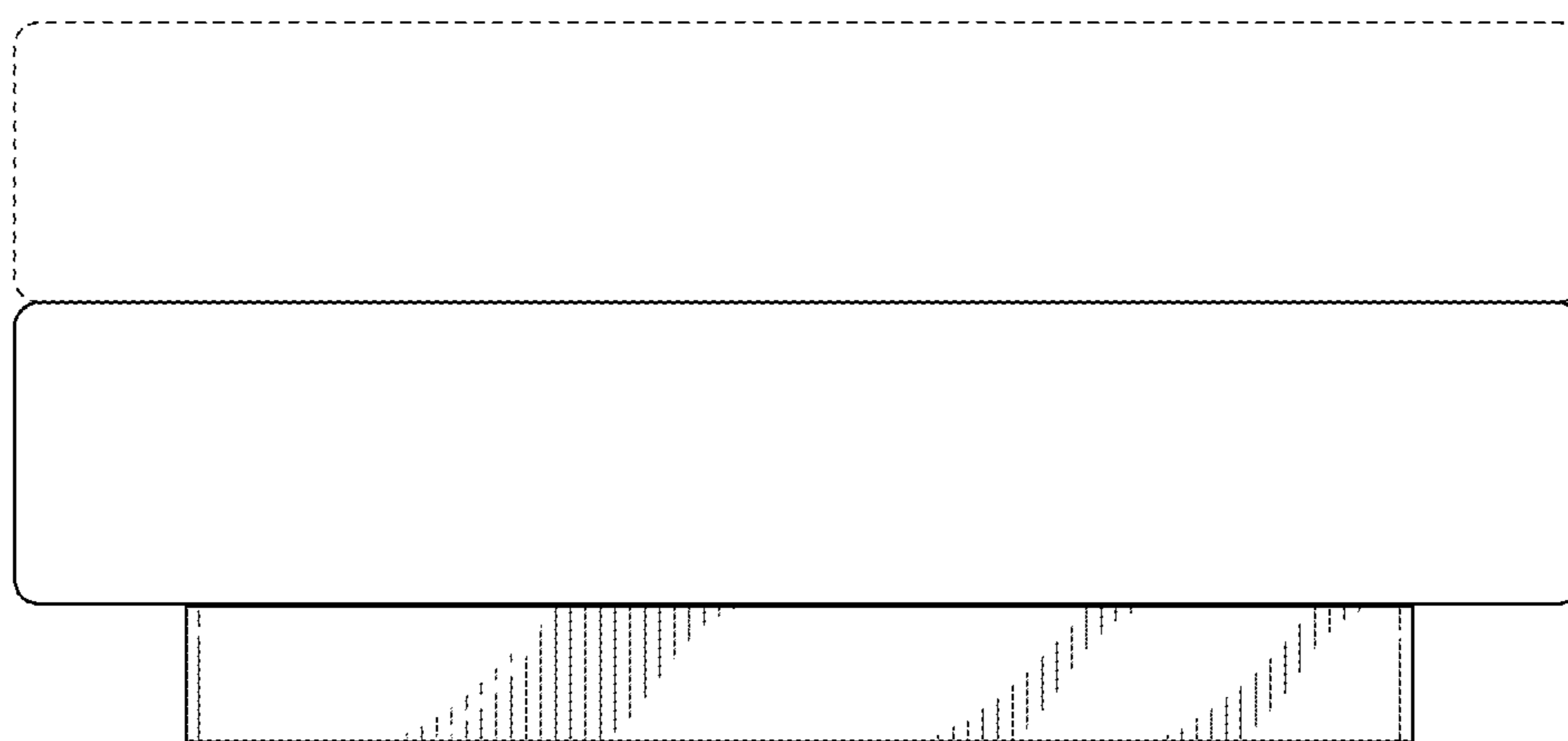
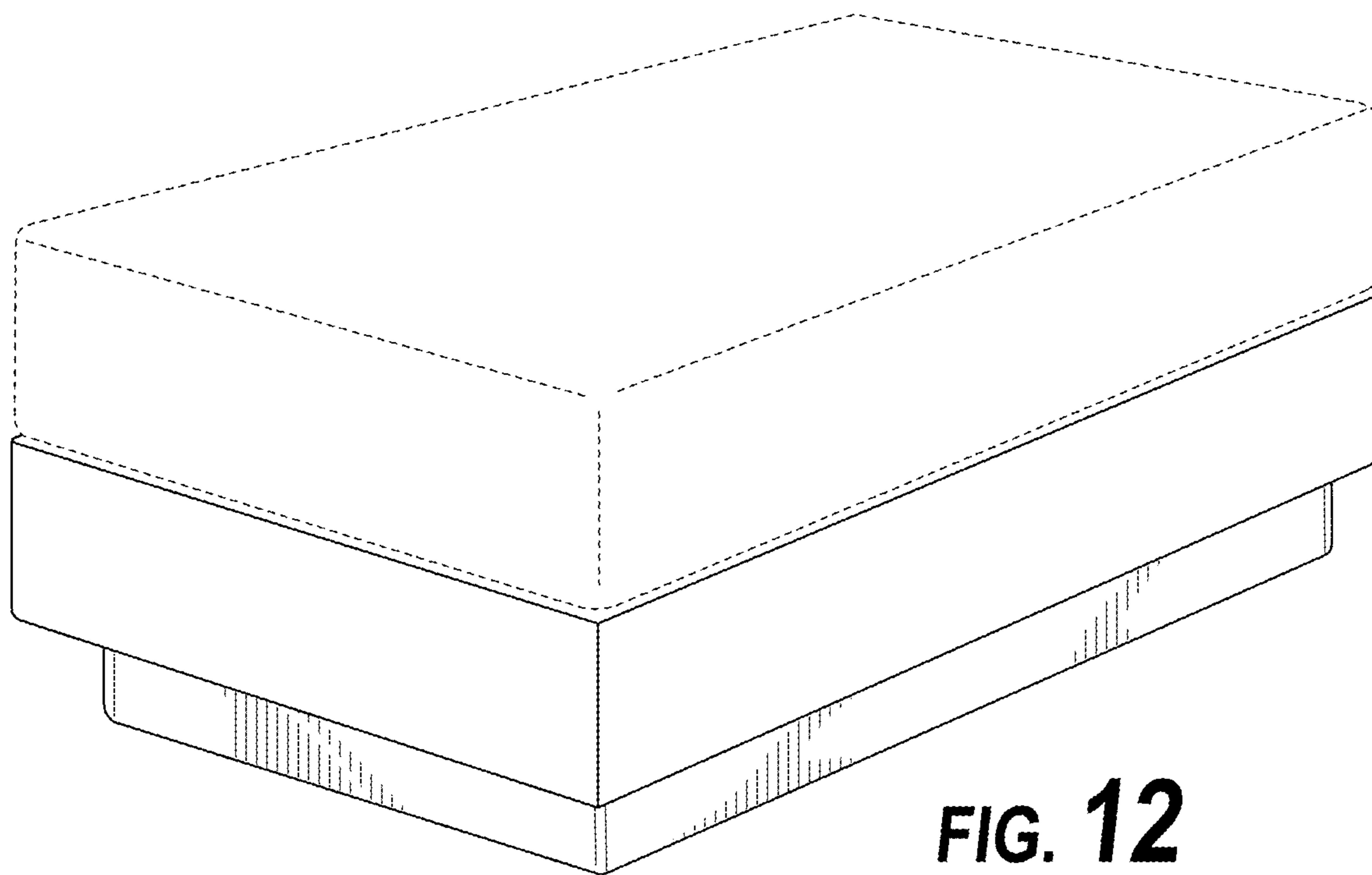


FIG. 11



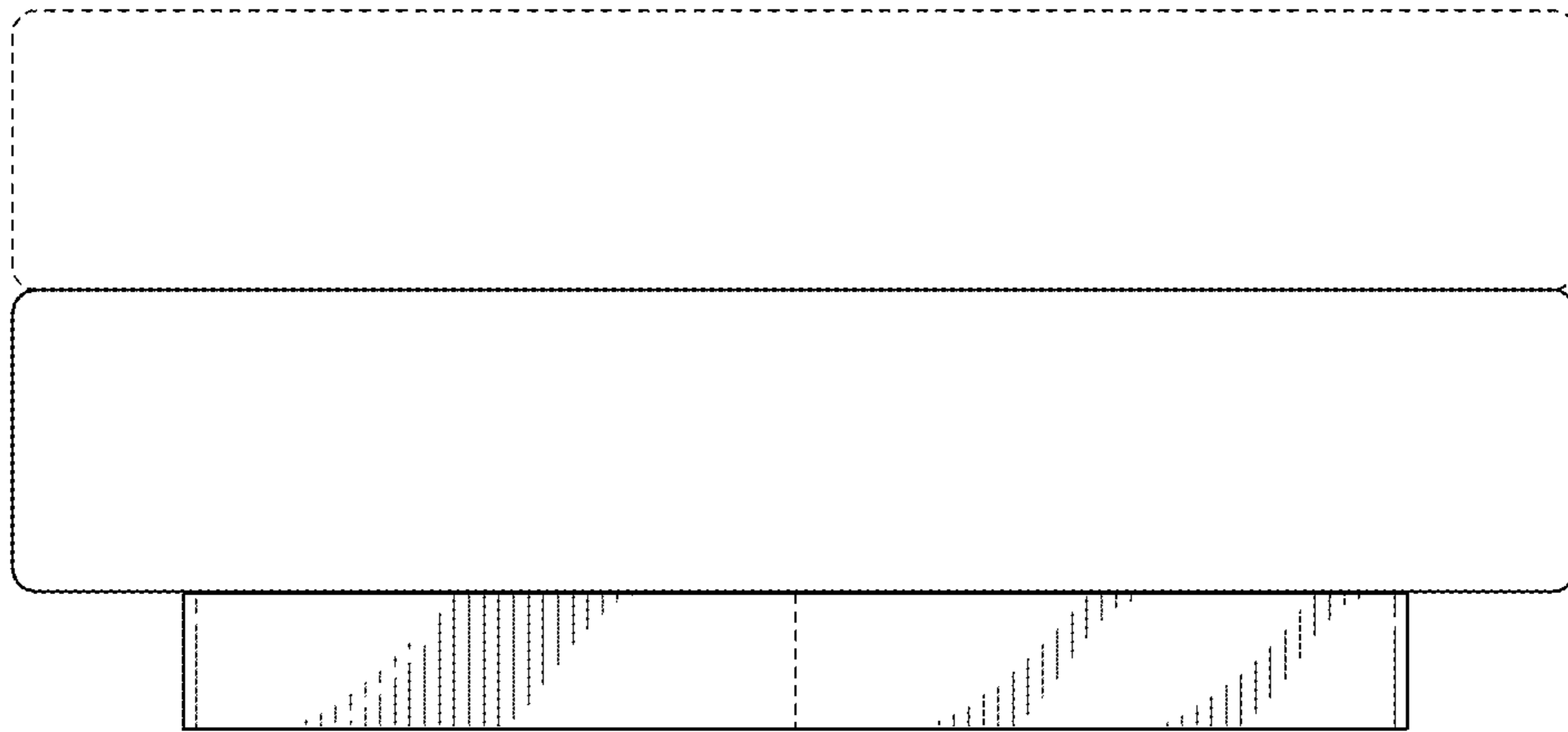


FIG. 14

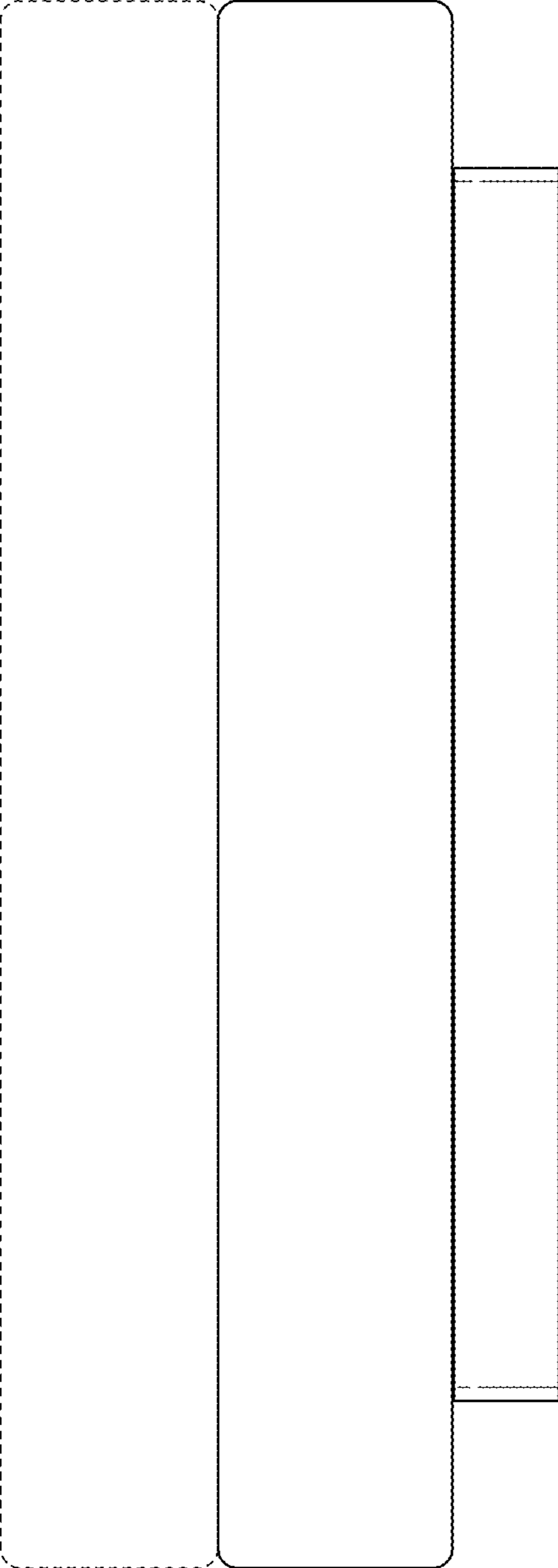


FIG. 15

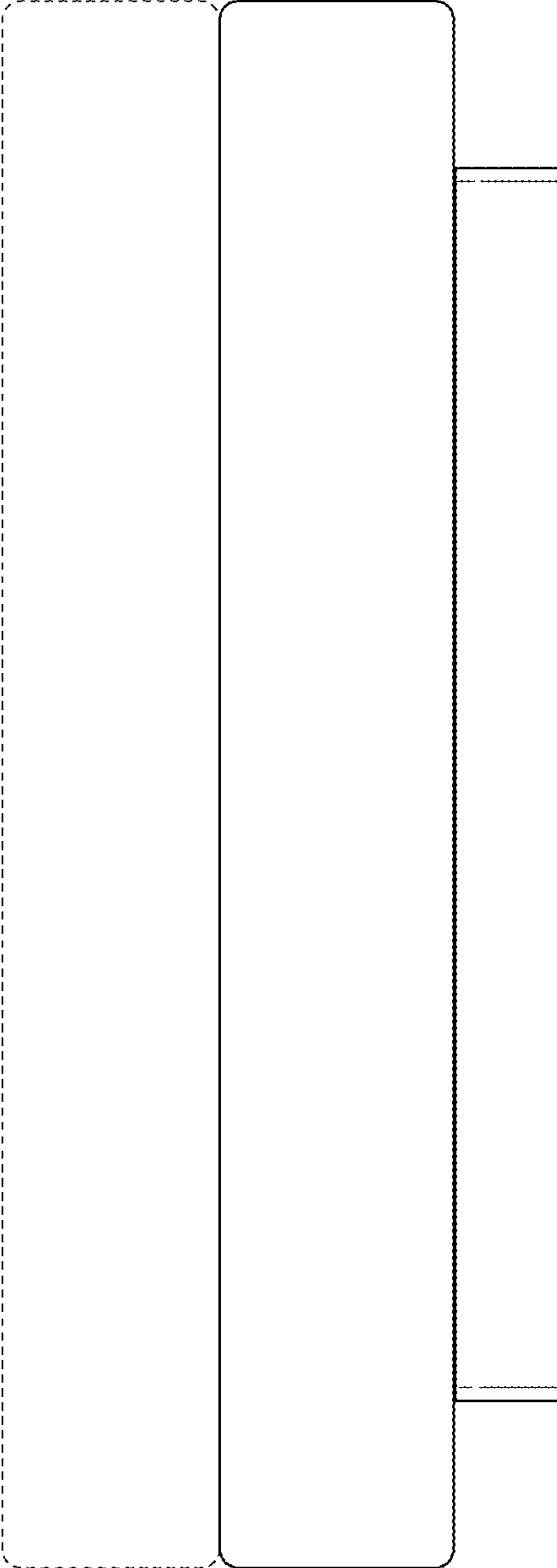


FIG. 16

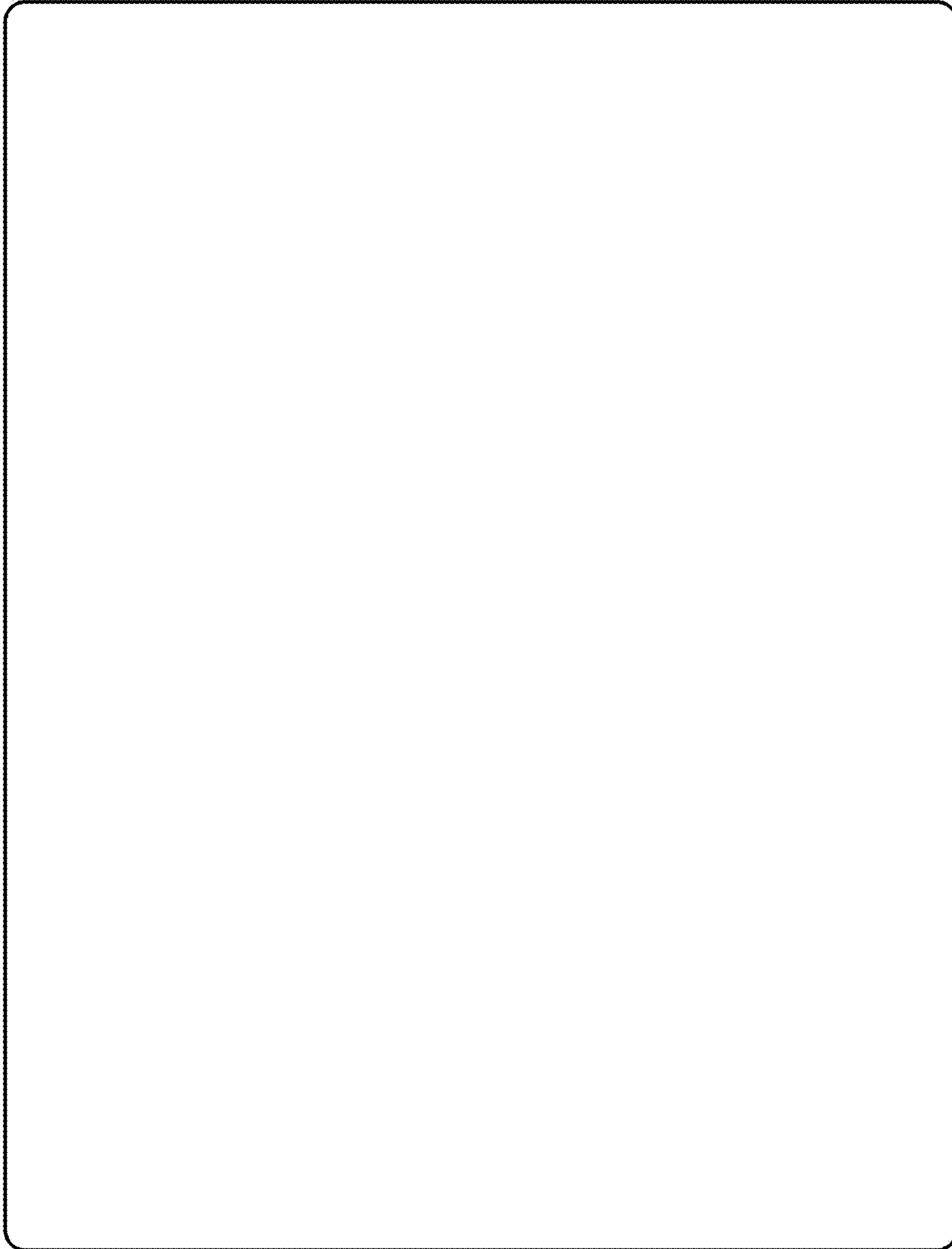


FIG. 17

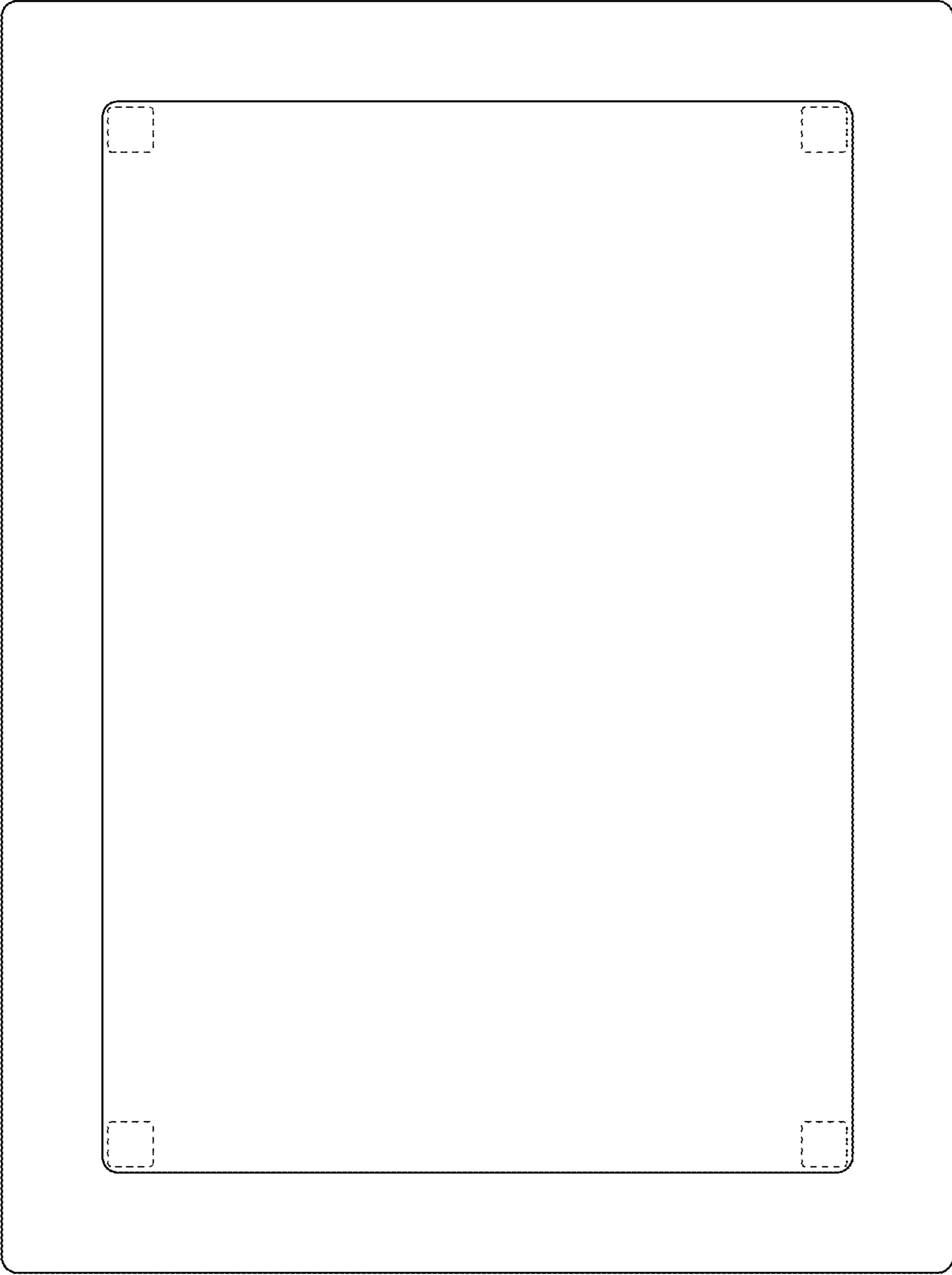


FIG. 18

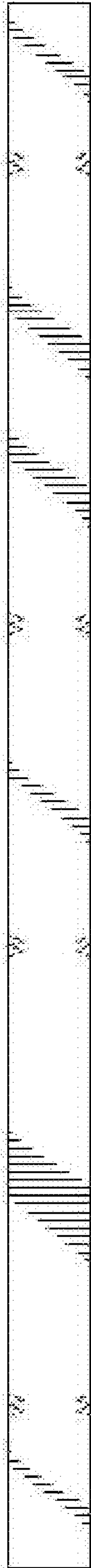


FIG. 19

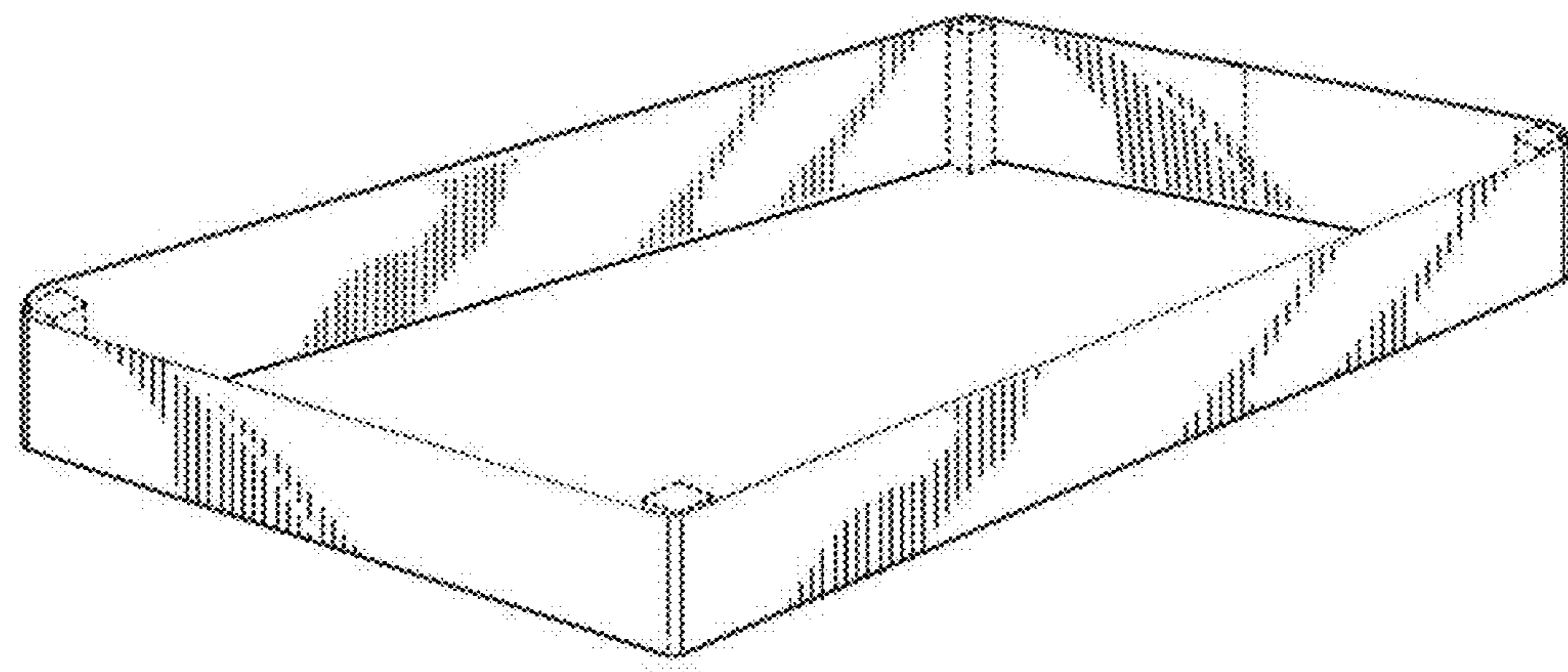


FIG. 20

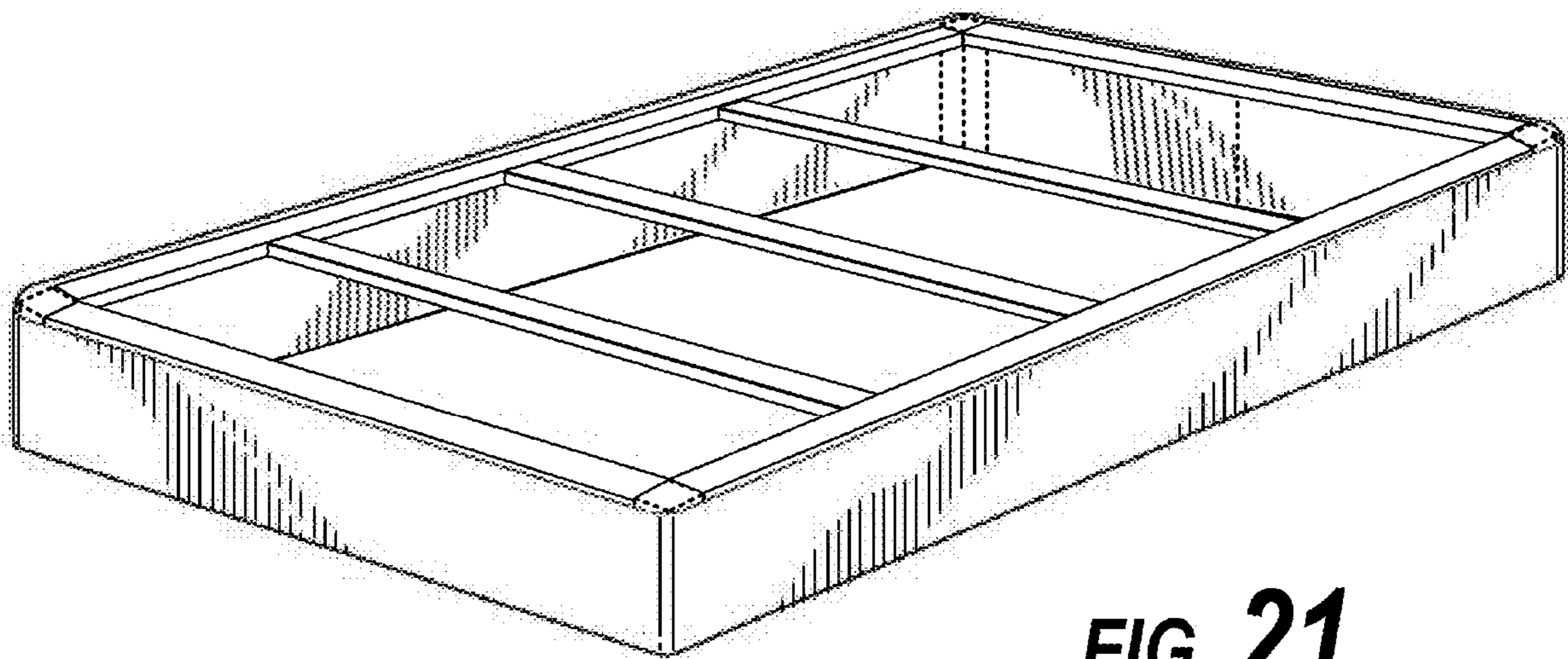


FIG. 21

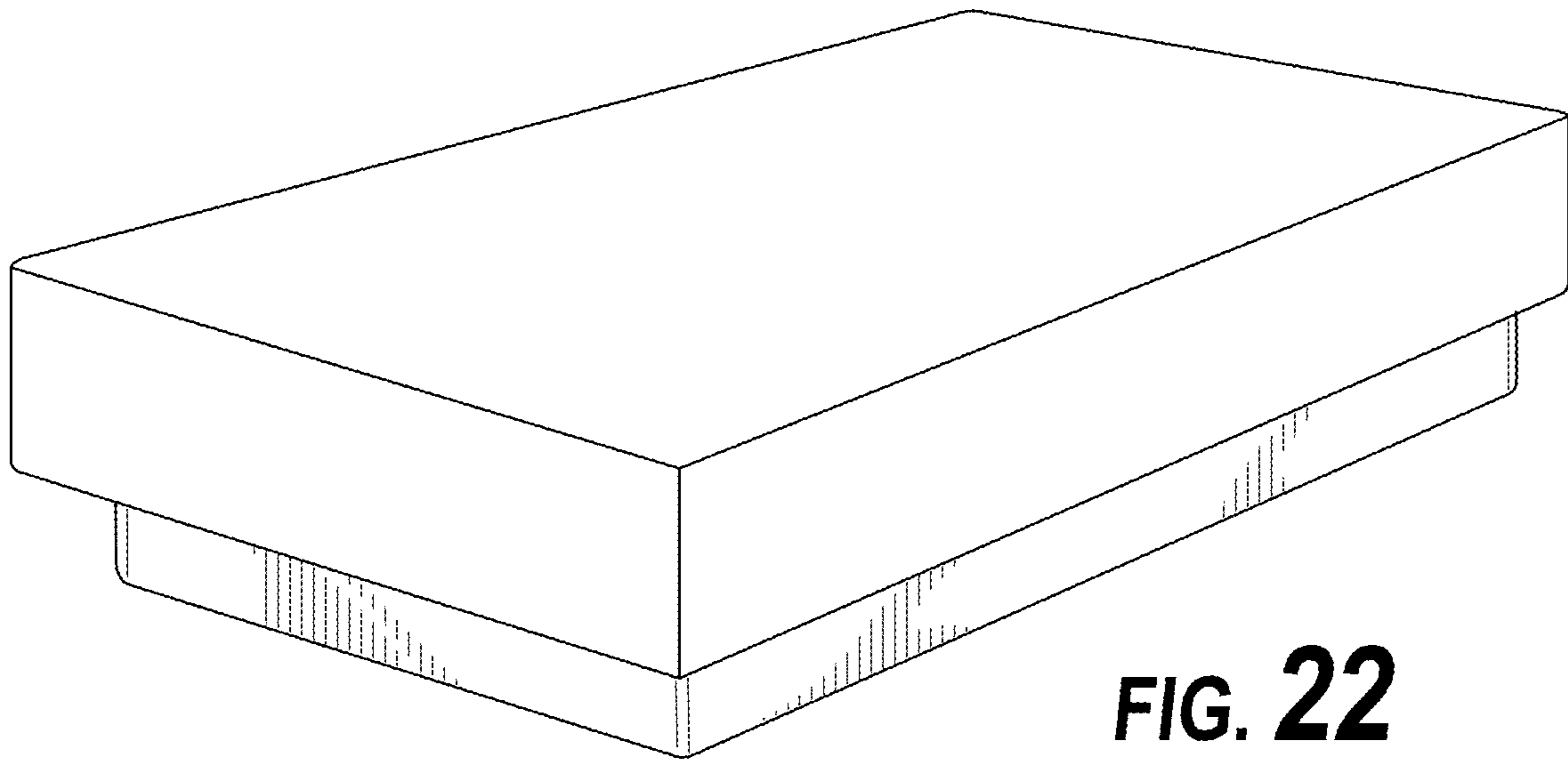


FIG. 22