



US00D904789S

(12) **United States Design Patent** (10) **Patent No.:** **US D904,789 S**  
**Guo** (45) **Date of Patent:** **\*\* Dec. 15, 2020**

(54) **HEATED TOWEL RAIL**  
(71) Applicant: **SHANGHAI SHENMAI E-COMMERCE CO., LTD.**, Shanghai (CN)  
(72) Inventor: **Aixia Guo**, Shanghai (CN)  
(73) Assignee: **SHANGHAI SHENMAI E-COMMERCE CO., LTD.**, Shanghai (CN)

D439,090 S 3/2001 Wu  
D525,061 S 7/2006 Abdi et al.  
D526,520 S 8/2006 Clucas  
D567,001 S 4/2008 Rosen  
D569,144 S 5/2008 Mapp  
D576,830 S \* 9/2008 Kristensen ..... D6/548  
D597,773 S \* 8/2009 Yeung ..... D6/546  
D631,682 S \* 2/2011 Western ..... D6/548  
D813,566 S 3/2018 Downey et al.  
2008/0138054 A1 \* 6/2008 Short ..... A47K 10/06  
392/485  
2009/0266774 A1 \* 10/2009 Maclaren-Taylor .... F24H 3/004  
211/45

(\*\*) Term: **15 Years**

\* cited by examiner

(21) Appl. No.: **29/720,618**

*Primary Examiner* — Wan Laymon  
*Assistant Examiner* — Mark Booker

(22) Filed: **Jan. 14, 2020**

(74) *Attorney, Agent, or Firm* — Law Offices of Steven W. Weinrieb

(51) **LOC (12) Cl.** ..... **06-04**

(52) **U.S. Cl.**  
USPC ..... **D6/548**

(57) **CLAIM**

The ornamental design for a heated towel rail, as shown and described.

(58) **Field of Classification Search**  
USPC ..... D6/548, 546, 547, 549–550, 513, 514;  
211/16, 85.29, 86.01, 87.01, 88.04, 106,  
211/119.004, 181.1, 182, 45; 248/205.1,  
248/213.1; 29/428; 392/485; 108/29,  
108/59, 139  
CPC ..... A47K 10/04; B23P 11/00; H05B 3/78  
See application file for complete search history.

**DESCRIPTION**

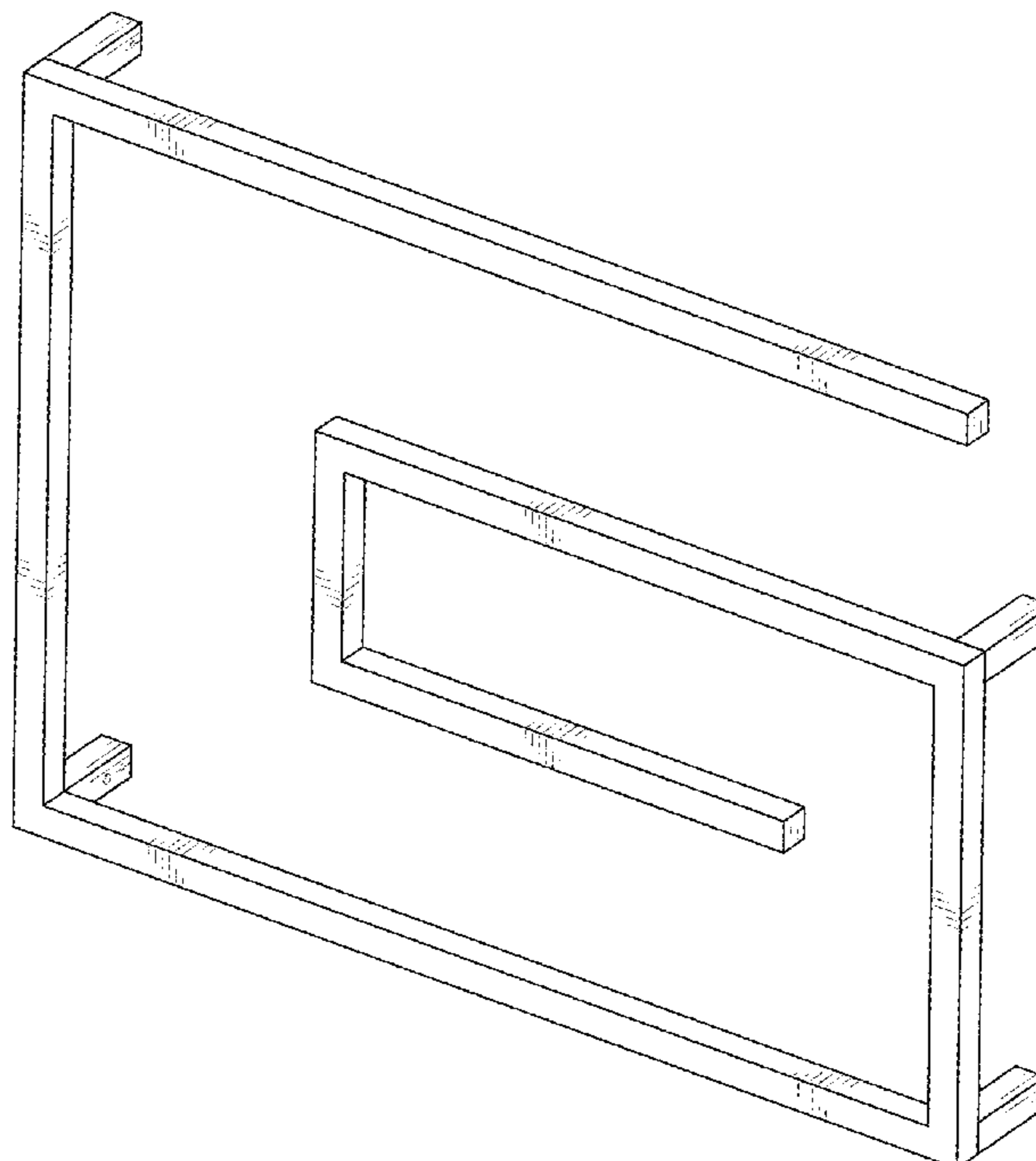
FIG. 1 is a front, right side, top perspective view of a heated towel rail showing my new design;  
FIG. 2 is a rear left side, top perspective view thereof;  
FIG. 3 is a front elevational view thereof;  
FIG. 4 is a rear elevational view thereof;  
FIG. 5 is a left side elevational view thereof;  
FIG. 6 is a right side elevational view thereof;  
FIG. 7 is a top plan view thereof; and,  
FIG. 8 is a bottom plan view thereof.  
The broken lines depict portions of the heated towel rail that form no part of the claimed design.

(56) **References Cited**

U.S. PATENT DOCUMENTS

D276,388 S 11/1984 Miller et al.  
D303,470 S 9/1989 Razumov  
D358,959 S \* 6/1995 Herstedt ..... D6/548  
D377,285 S 1/1997 Lynch et al.  
D403,187 S \* 12/1998 Klein ..... D6/513  
D416,731 S 11/1999 Klein et al.

**1 Claim, 8 Drawing Sheets**



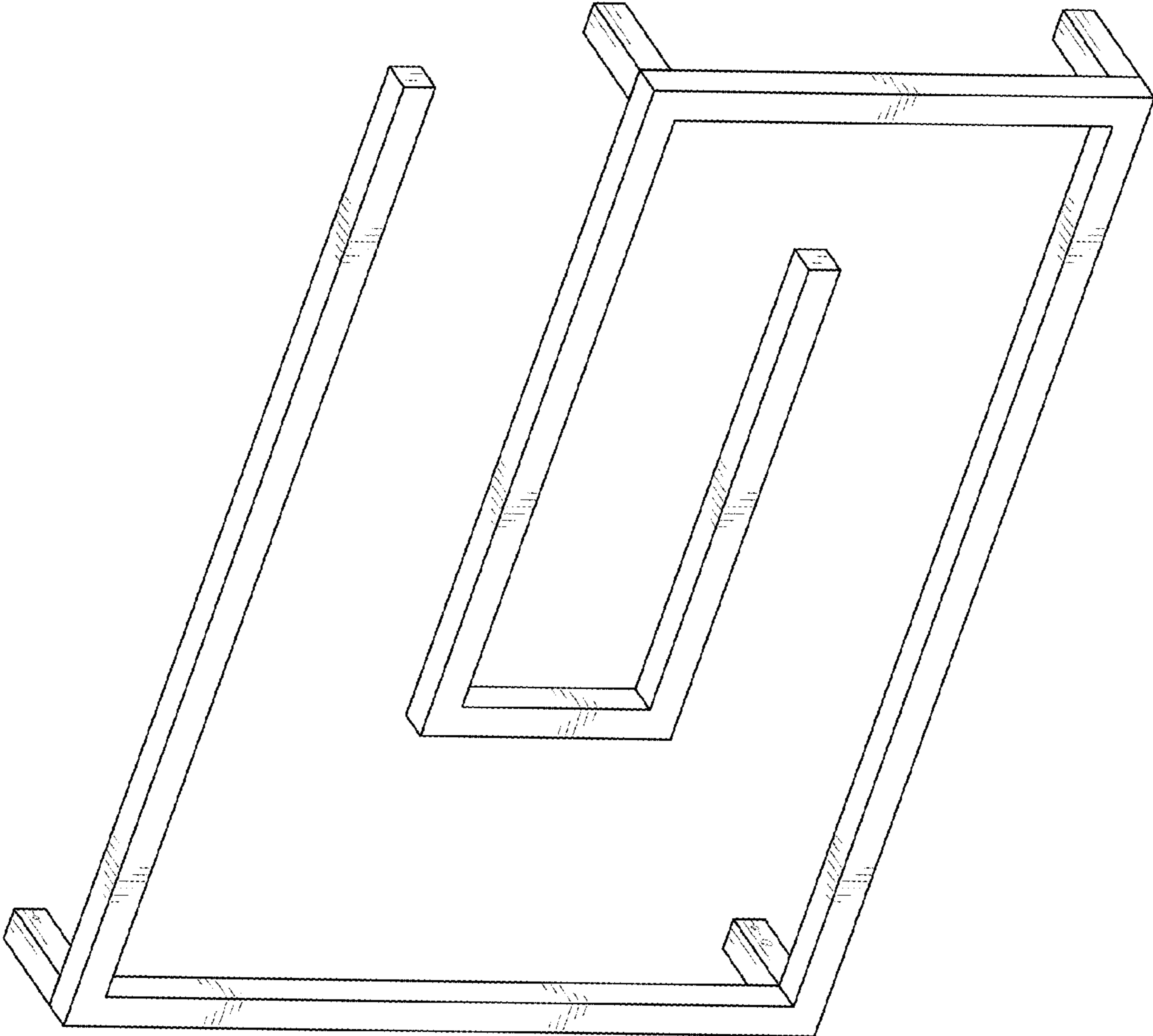


FIG.1

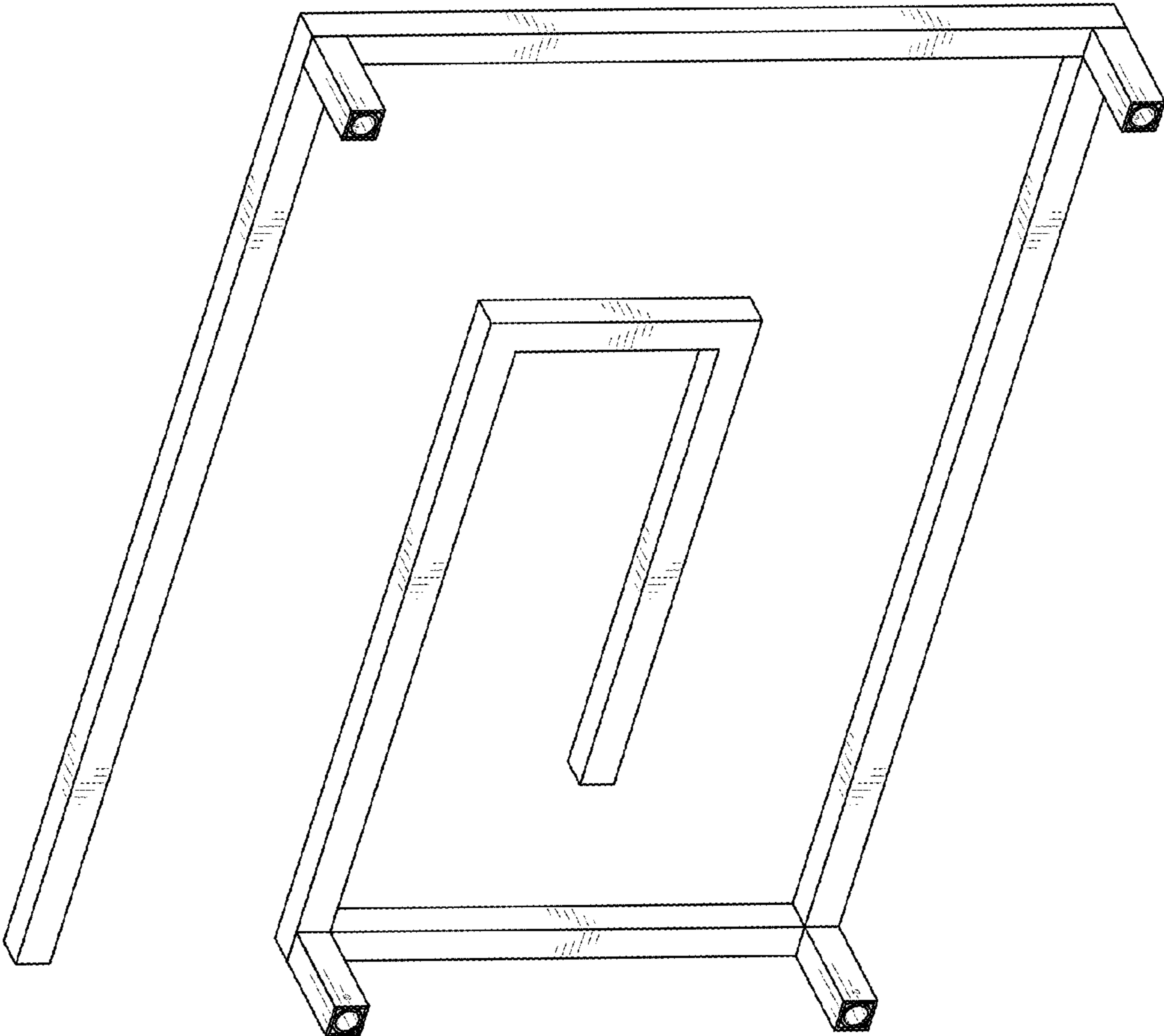


FIG.2

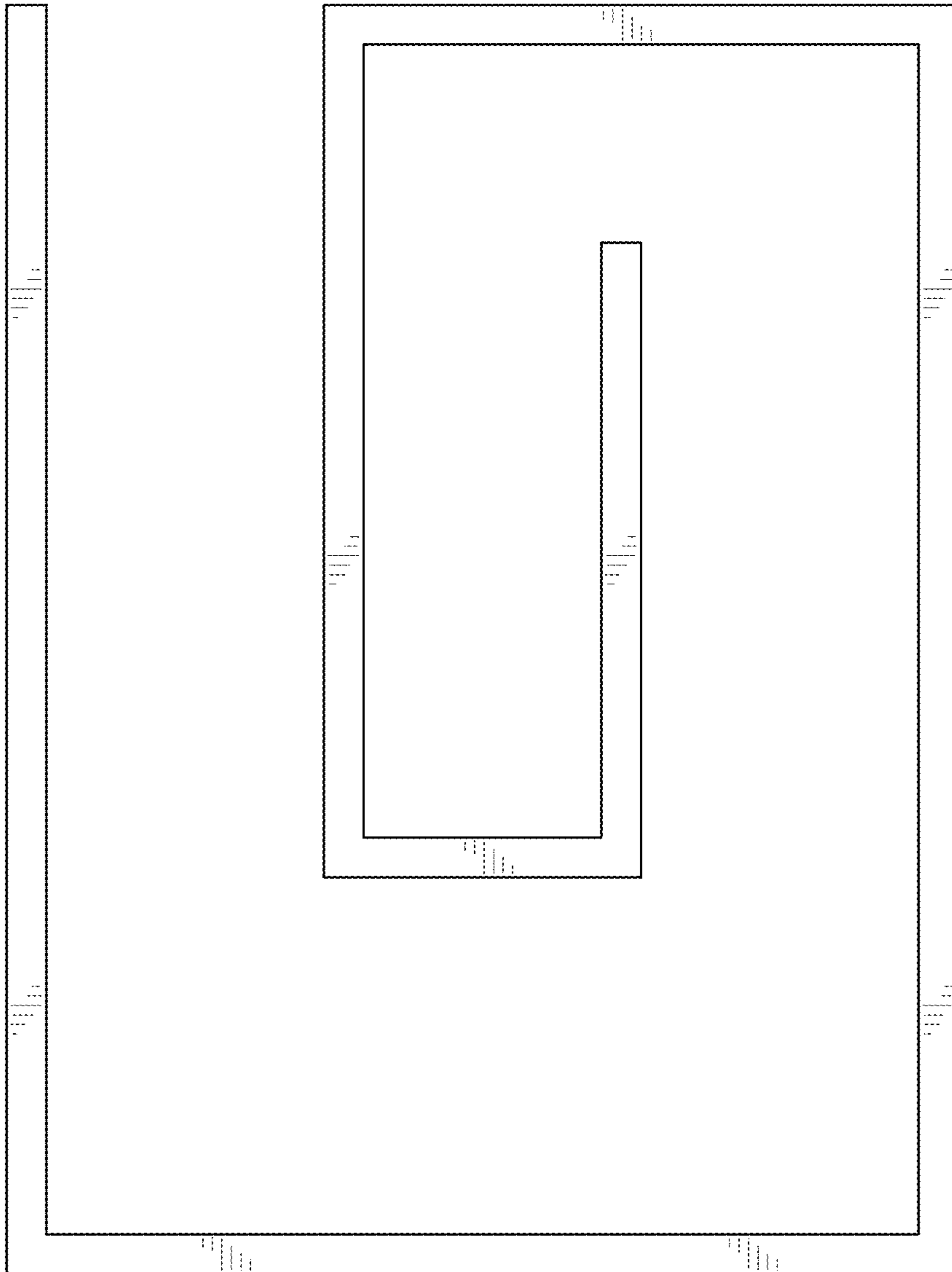


FIG.3

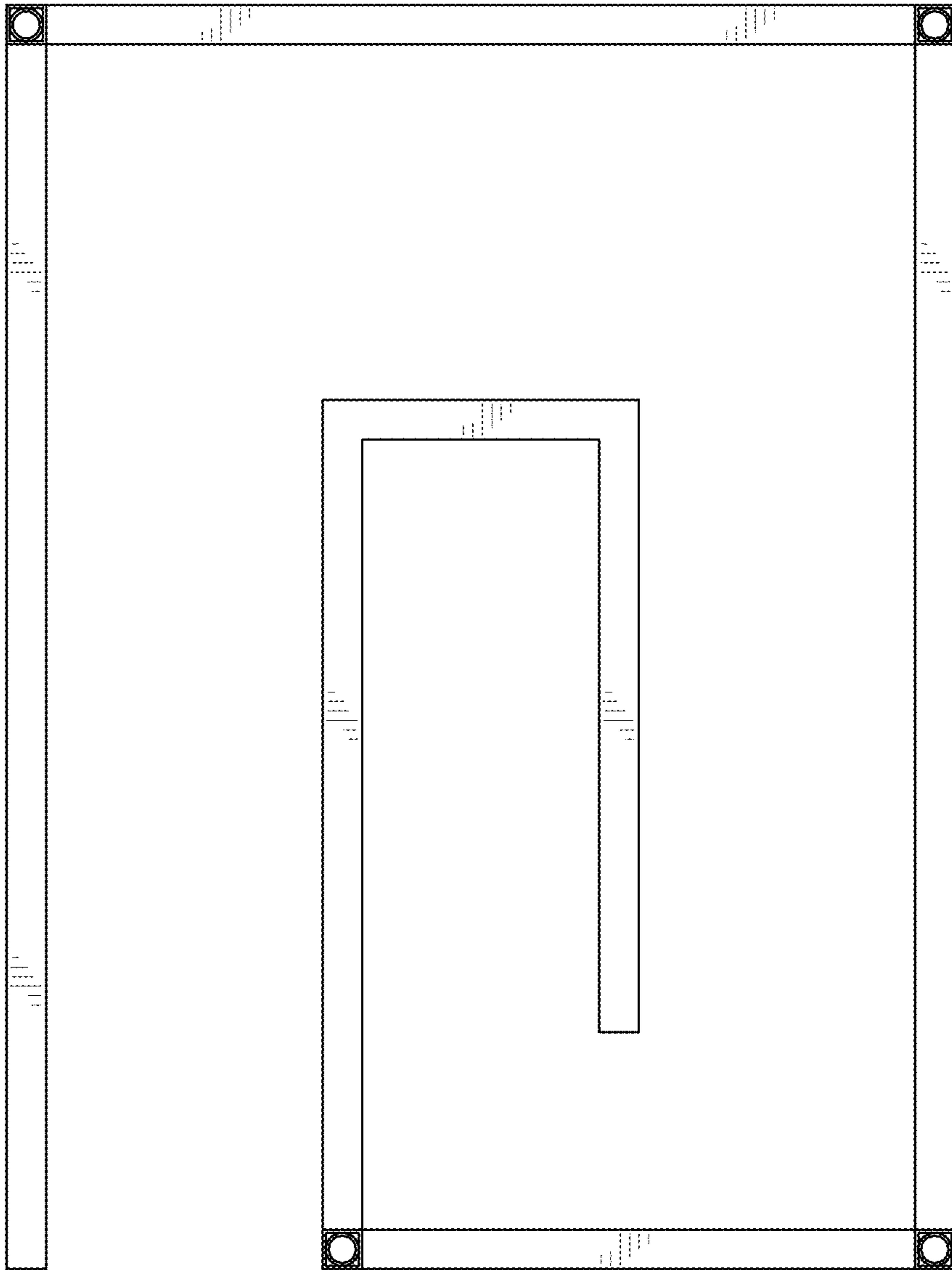


FIG.4

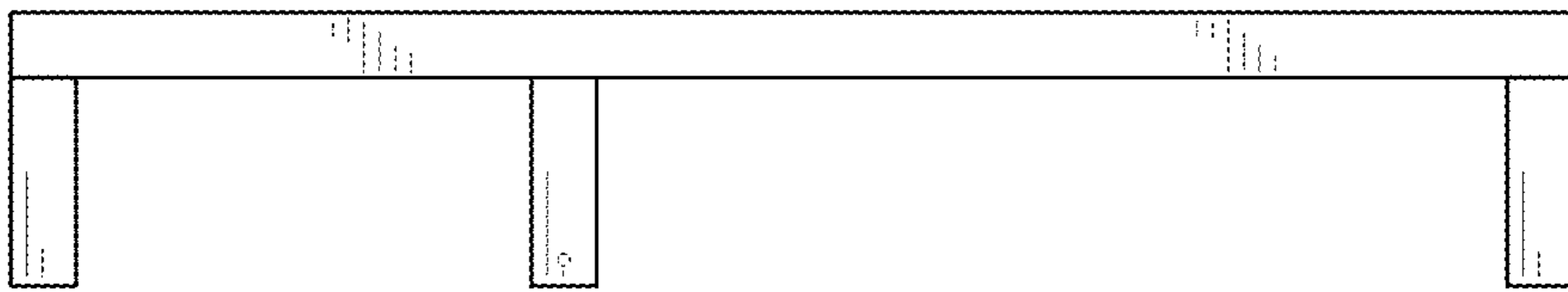


FIG. 5

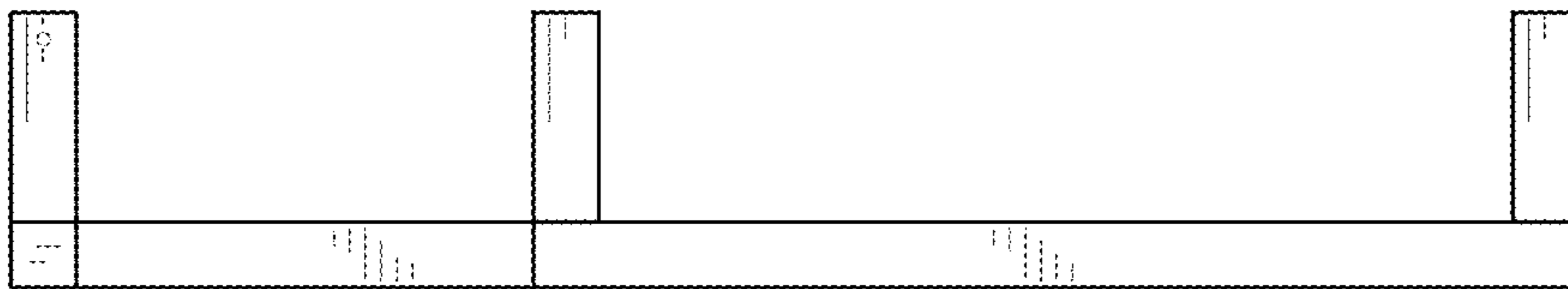


FIG.6

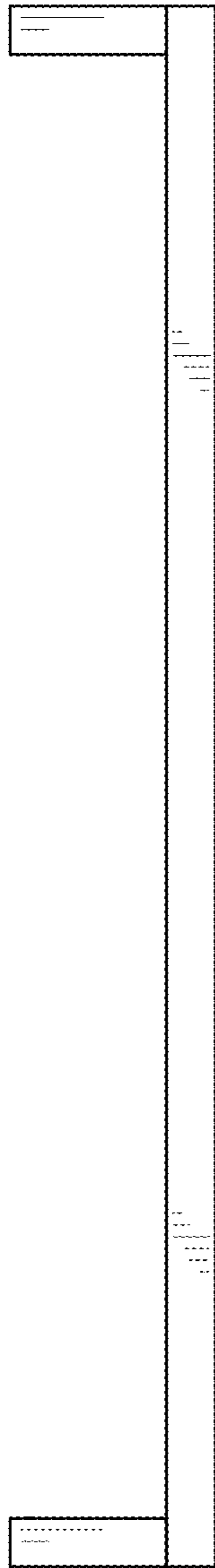


FIG.7



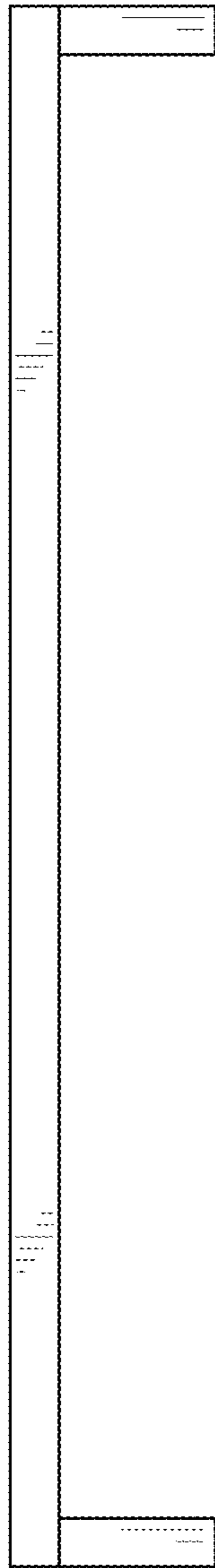


FIG. 8