



US00D904788S

(12) **United States Design Patent**  
**Hagleitner**

(10) **Patent No.:** **US D904,788 S**

(45) **Date of Patent:** **\*\* Dec. 15, 2020**

(54) **LIQUID DISPENSER**

(71) Applicant: **HAGLEITNER HYGIENE INTERNATIONAL GMBH**,  
Maishofen (AT)

(72) Inventor: **Hans Georg Hagleitner**, Zell am See (AT)

(73) Assignee: **Hagleitner Hygiene International GmbH**, Maishofen (AT)

(\*\*) Term: **15 Years**

(21) Appl. No.: **29/657,746**

(22) Filed: **Jul. 25, 2018**

(30) **Foreign Application Priority Data**

Jan. 25, 2018 (EP) ..... 004679595

(51) **LOC (12) Cl.** ..... **23-08**

(52) **U.S. Cl.**  
USPC ..... **D6/524**

(58) **Field of Classification Search**  
USPC ..... D6/524, 545, 542, 543, 544; D9/682, D9/688, 690, 291, 448, 449; 206/77.1; 221/282-283, 96, 132; 222/92, 105, 173, 222/180, 181.1, 181.2, 181.3, 282, 283, 222/129.1; 99/275  
CPC ..... B01L 3/52; B05B 11/3014; B05B 9/0403; B05B 9/0426; C11D 17/08; A45D 19/02; A47K 5/12; A47K 5/1202; A47K 5/1211; B67D 7/0255; B01F 15/0243; B01F 15/0254; B01F 5/20; B05D 5/00  
See application file for complete search history.

(56) **References Cited**

**U.S. PATENT DOCUMENTS**

D581,716 S \* 12/2008 Harris, III ..... D7/306  
7,665,673 B2 \* 2/2010 Hagleitner ..... A61L 9/12  
222/639

D637,859 S \* 5/2011 Orkney ..... D7/306  
D649,826 S \* 12/2011 Garman ..... D7/306  
D660,630 S \* 5/2012 Soller ..... D6/524  
D681,387 S \* 5/2013 Pininfarina ..... D7/306

\* cited by examiner

*Primary Examiner* — Wan Laymon

*Assistant Examiner* — Mark Booker

(74) *Attorney, Agent, or Firm* — Laurence A. Greenberg; Werner H. Sterner; Ralph E. Locher

(57) **CLAIM**

The ornamental design for a liquid dispenser, as shown and described.

**DESCRIPTION**

FIG. 1 is a front perspective view of the liquid dispenser showing my new design;  
FIG. 2 is a front elevation view thereof;  
FIG. 3 is a right side elevation view thereof;  
FIG. 4 is a left side elevation view thereof;  
FIG. 5 is a rear elevation view thereof;  
FIG. 6 is a bottom plan view thereof;  
FIG. 7 is a top plan view thereof; and  
FIG. 8 is a front perspective view of the liquid dispenser in a second position showing my new design;  
FIG. 9 is a front elevation view thereof;  
FIG. 10 is a right side elevation view thereof;  
FIG. 11 is a left side elevation view thereof;  
FIG. 12 is a rear elevation view thereof;  
FIG. 13 is a bottom plan view thereof; and,  
FIG. 14 is a top plan view thereof.

**1 Claim, 14 Drawing Sheets**

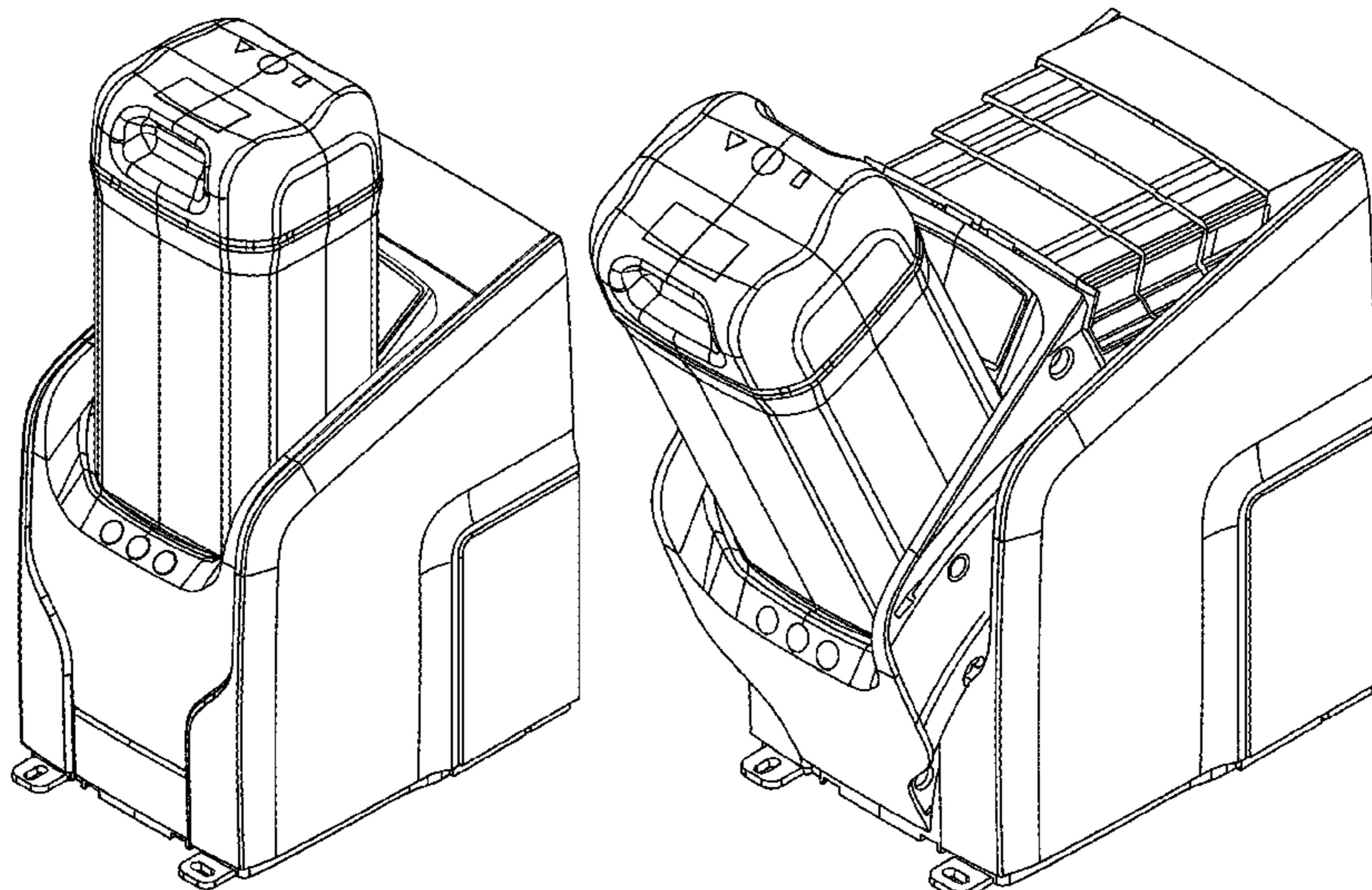
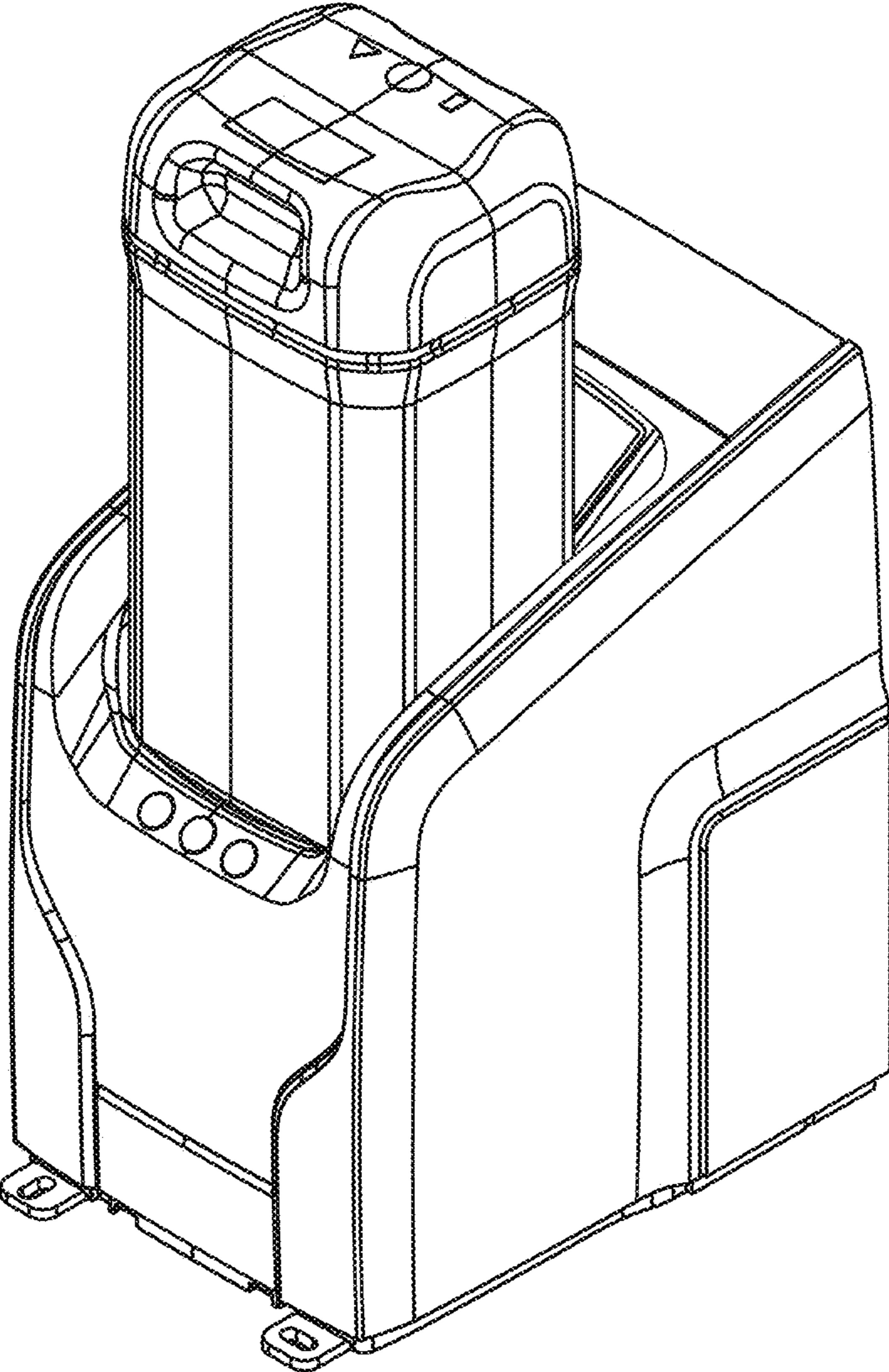
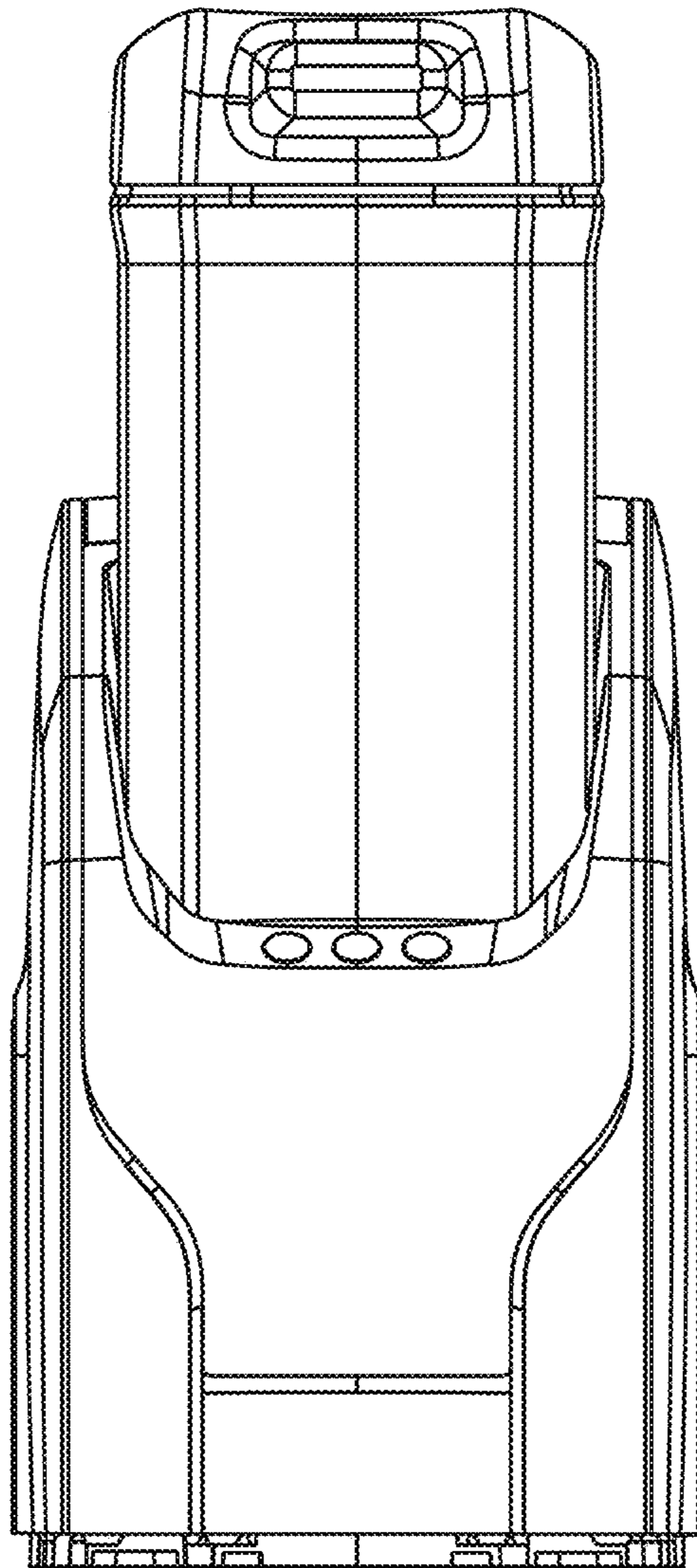


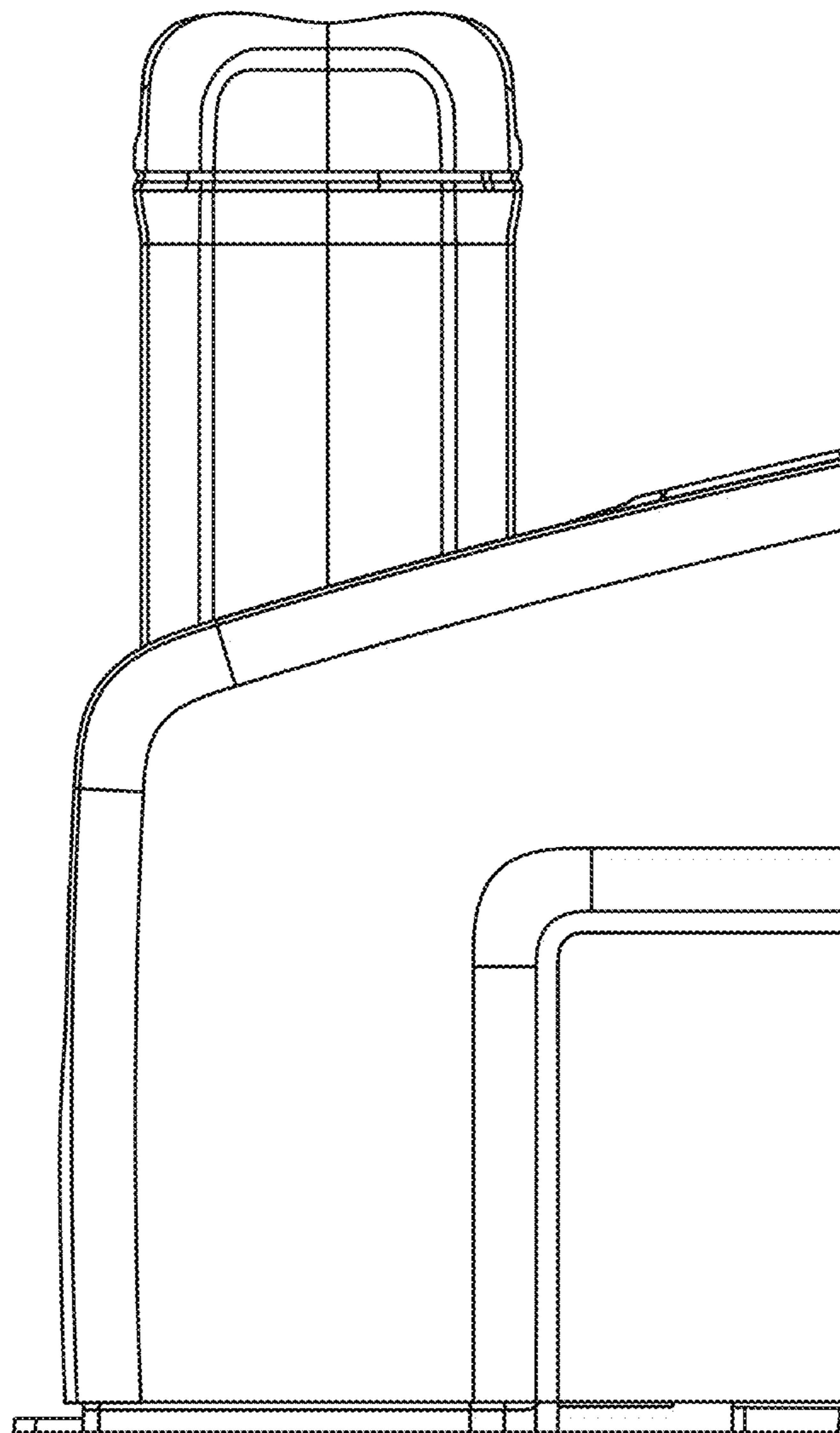
Fig. 1



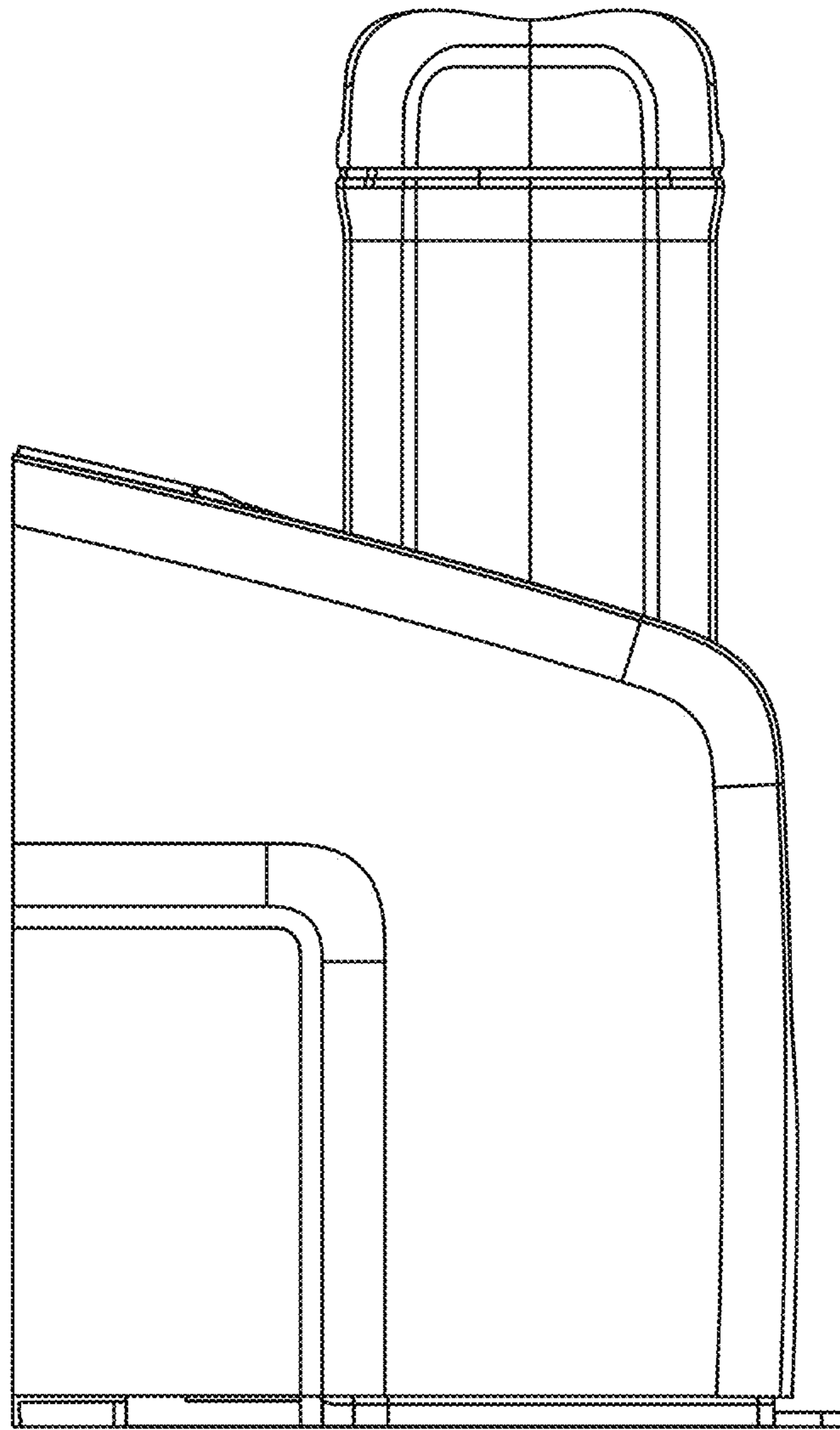
*Fig. 2*



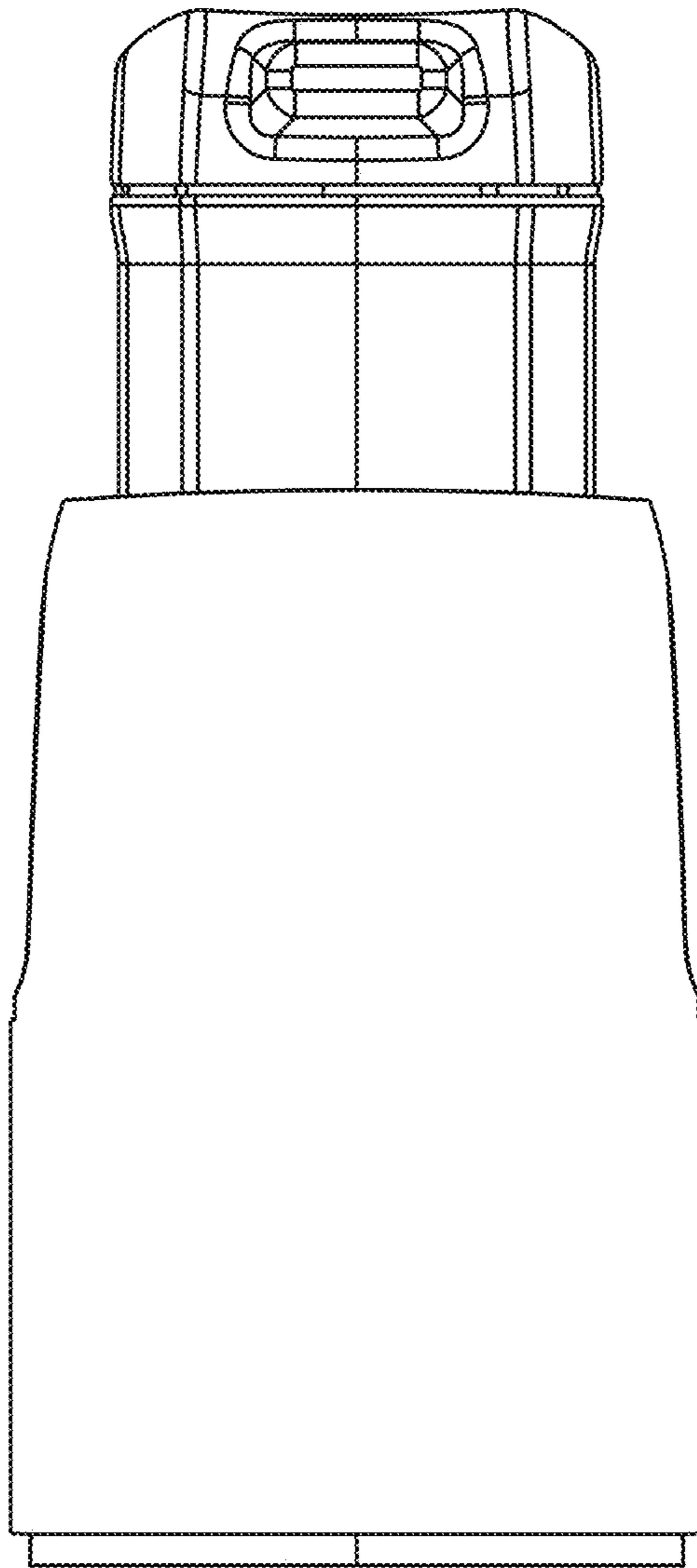
*Fig. 3*



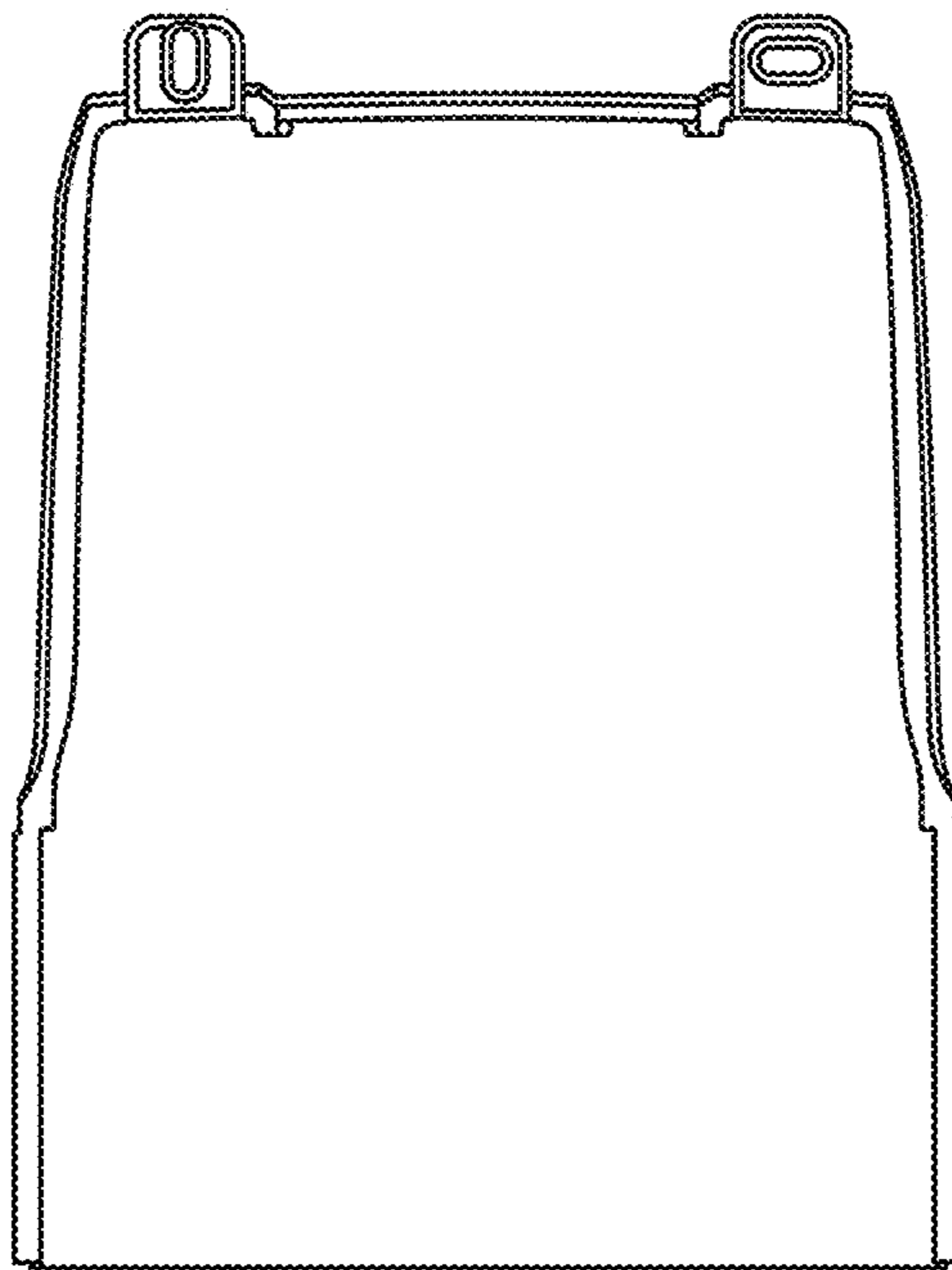
*Fig. 4*



*Fig. 5*



*Fig. 6*



*Fig. 7*

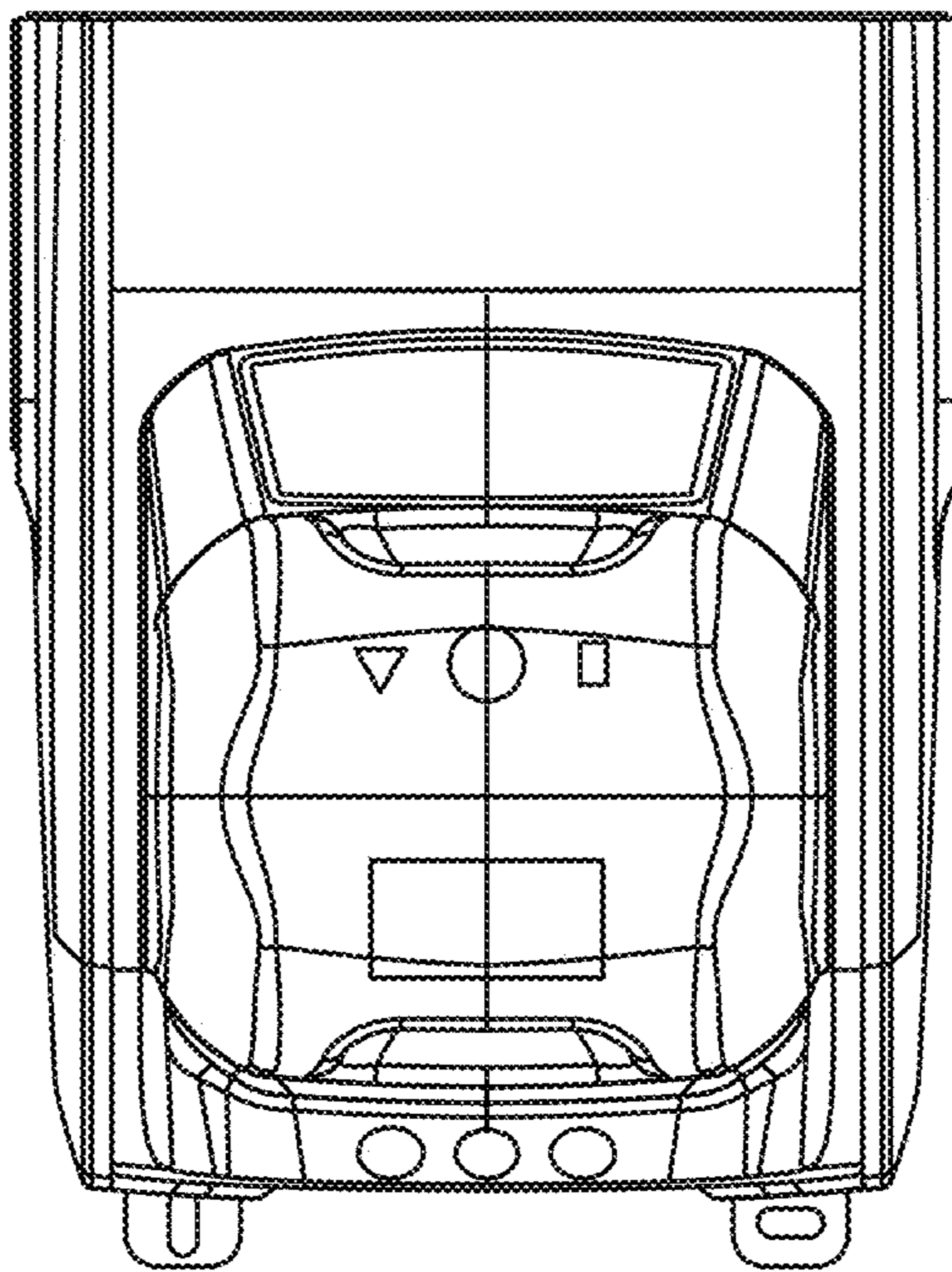
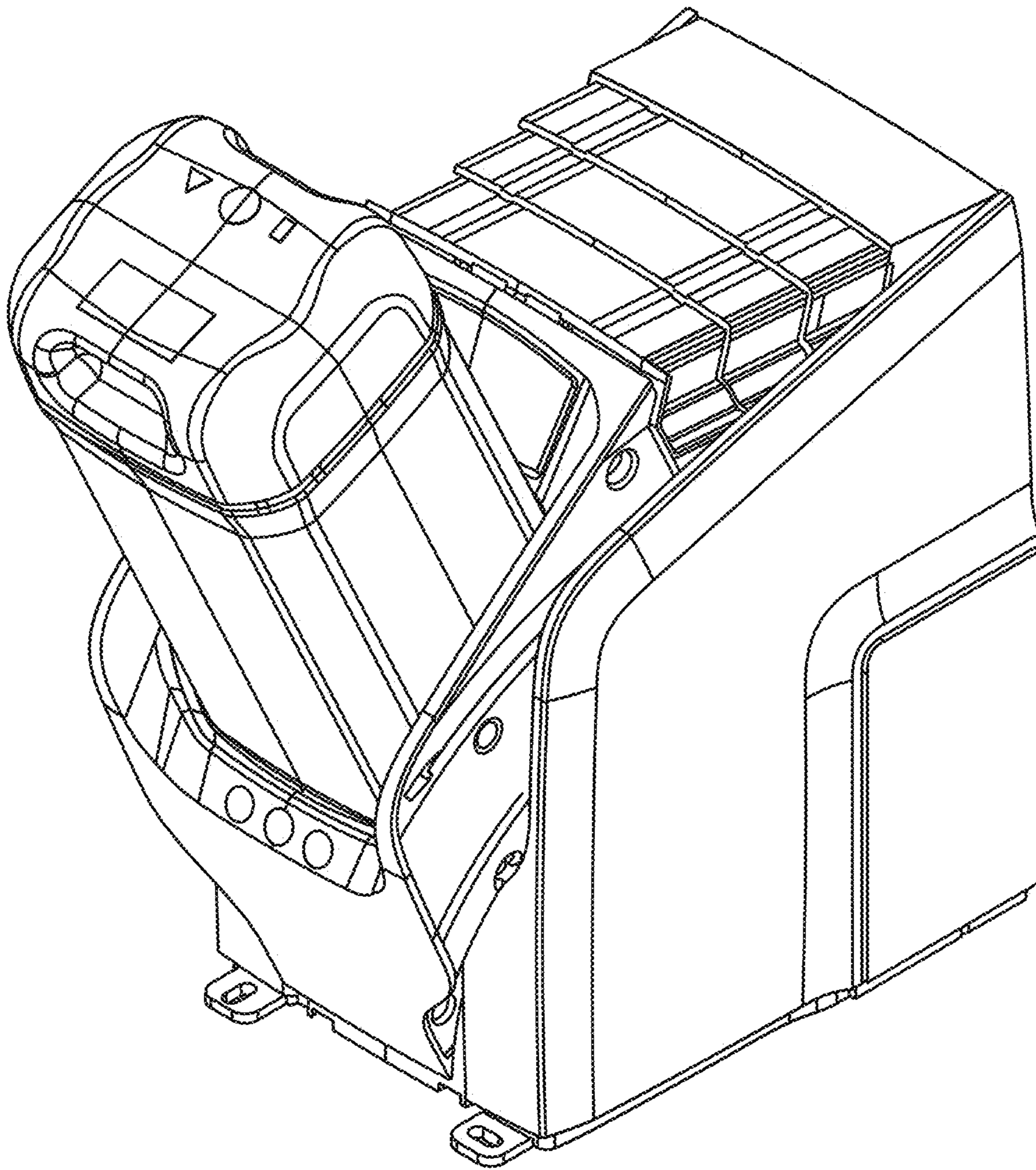




Fig. 8



*Fig. 9*

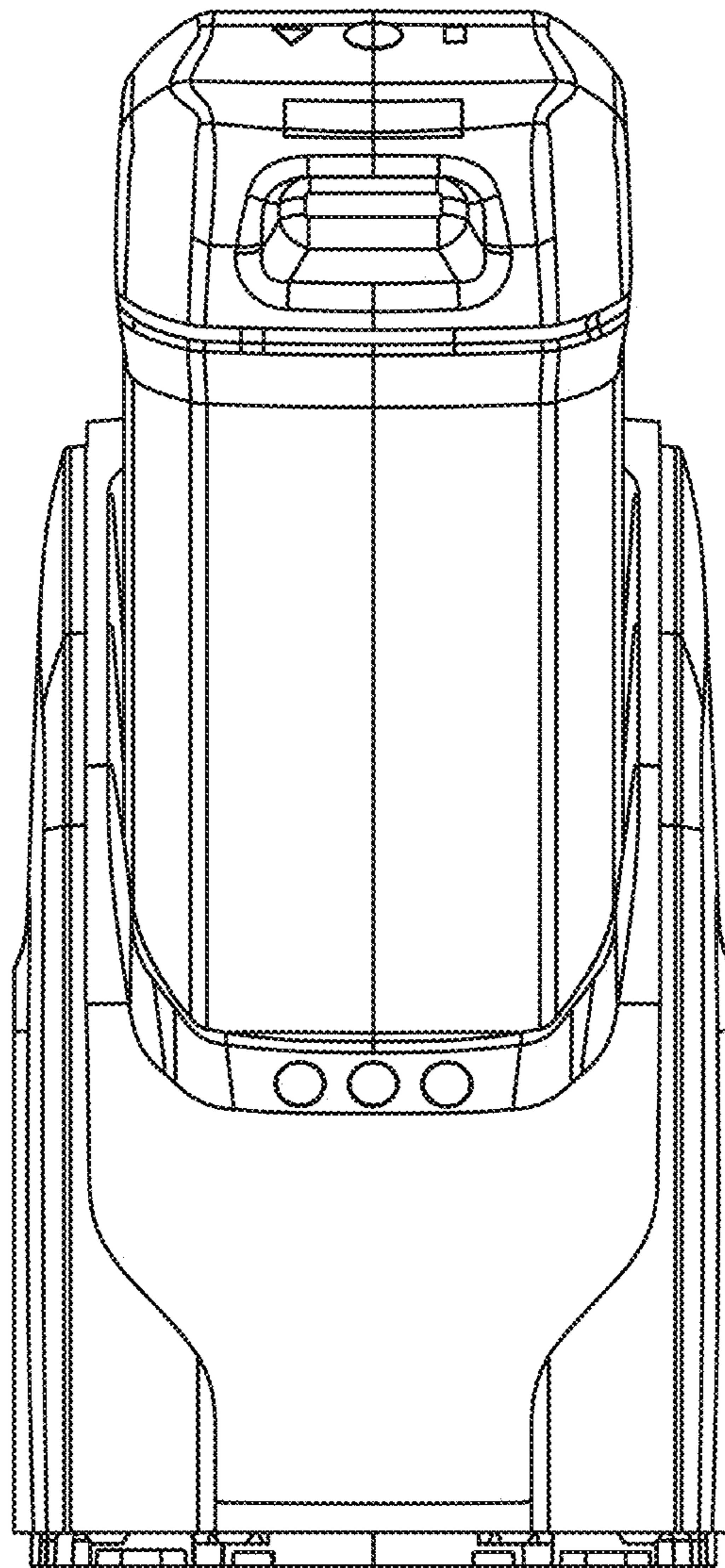


Fig. 10

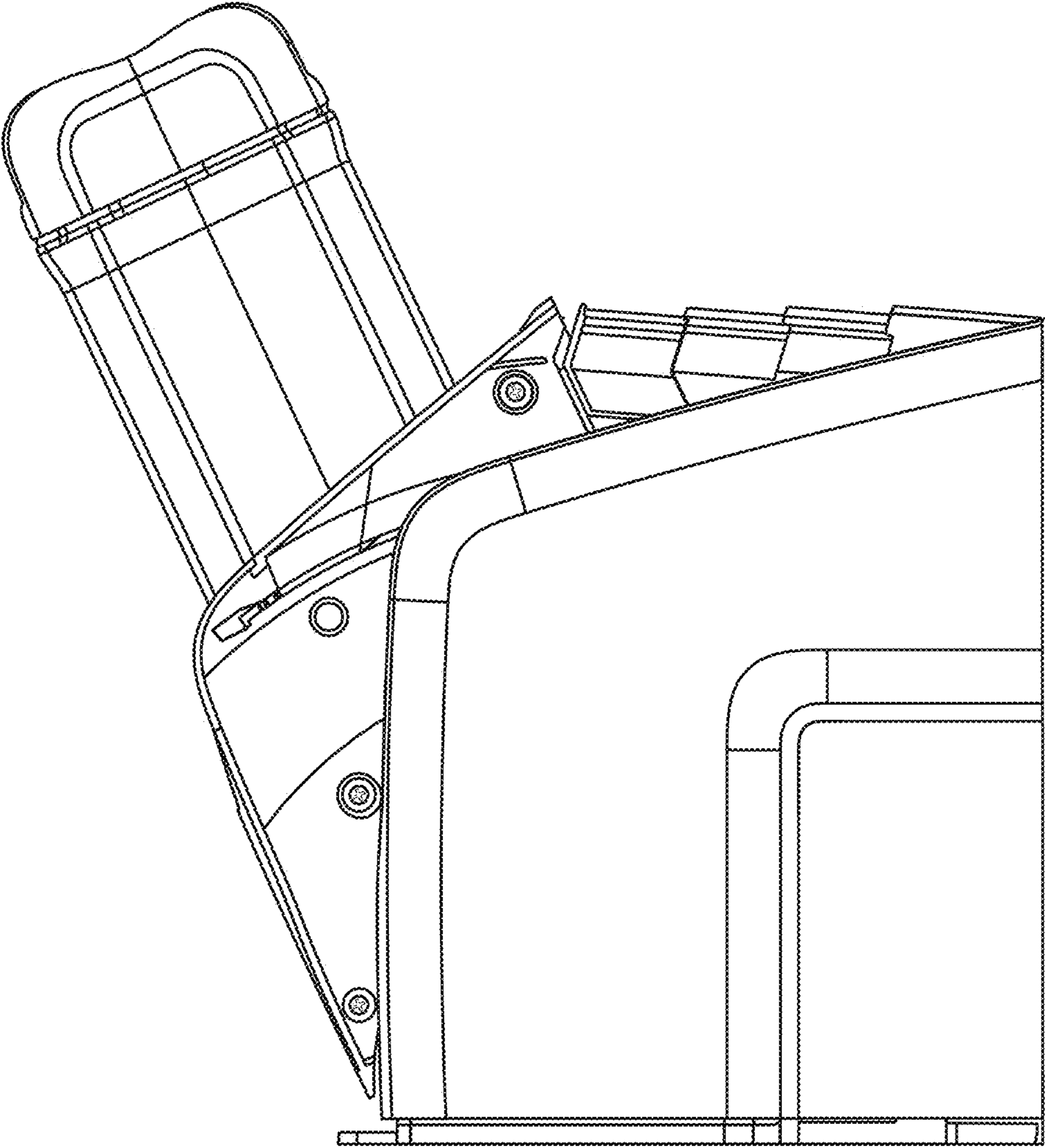
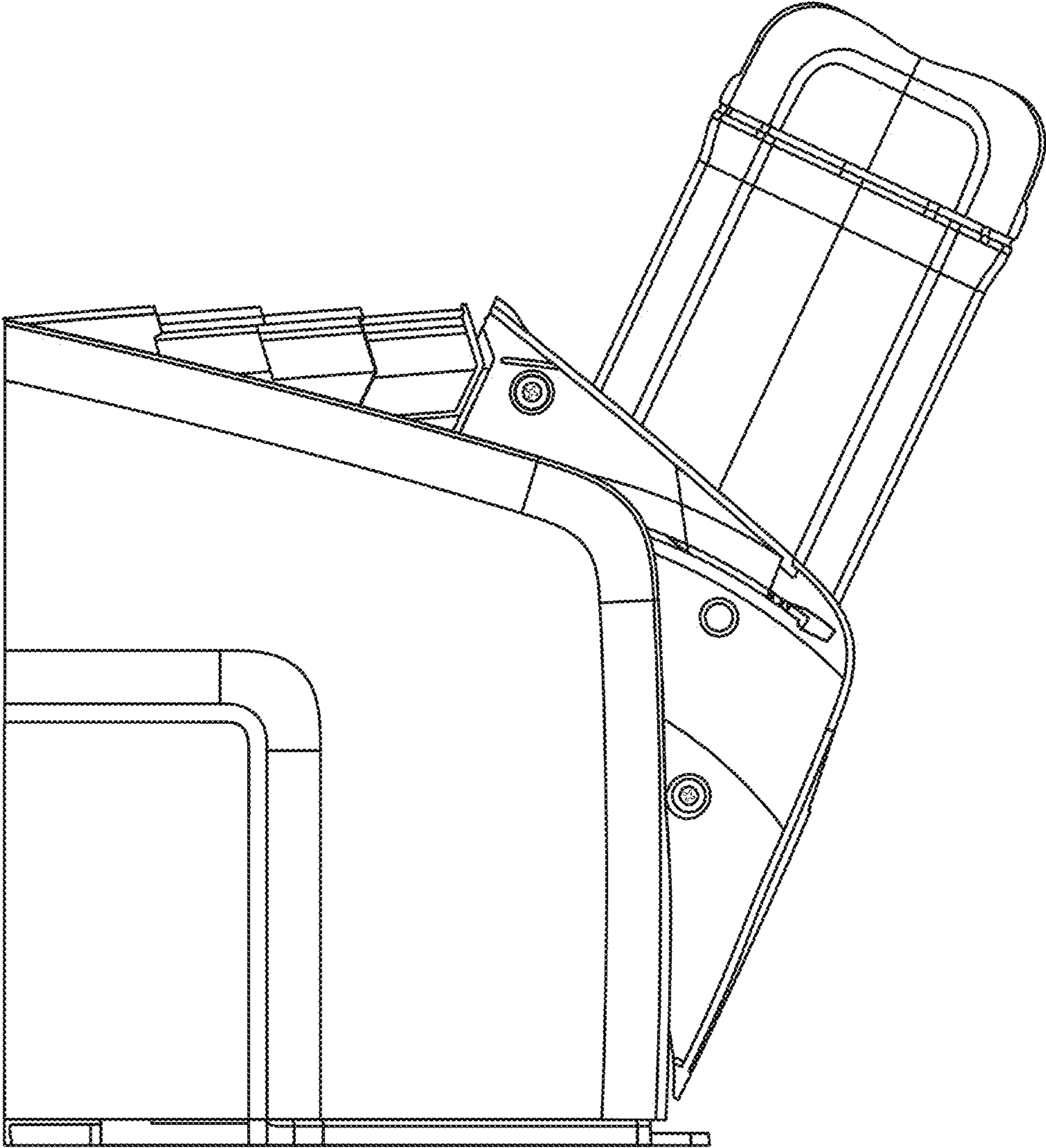
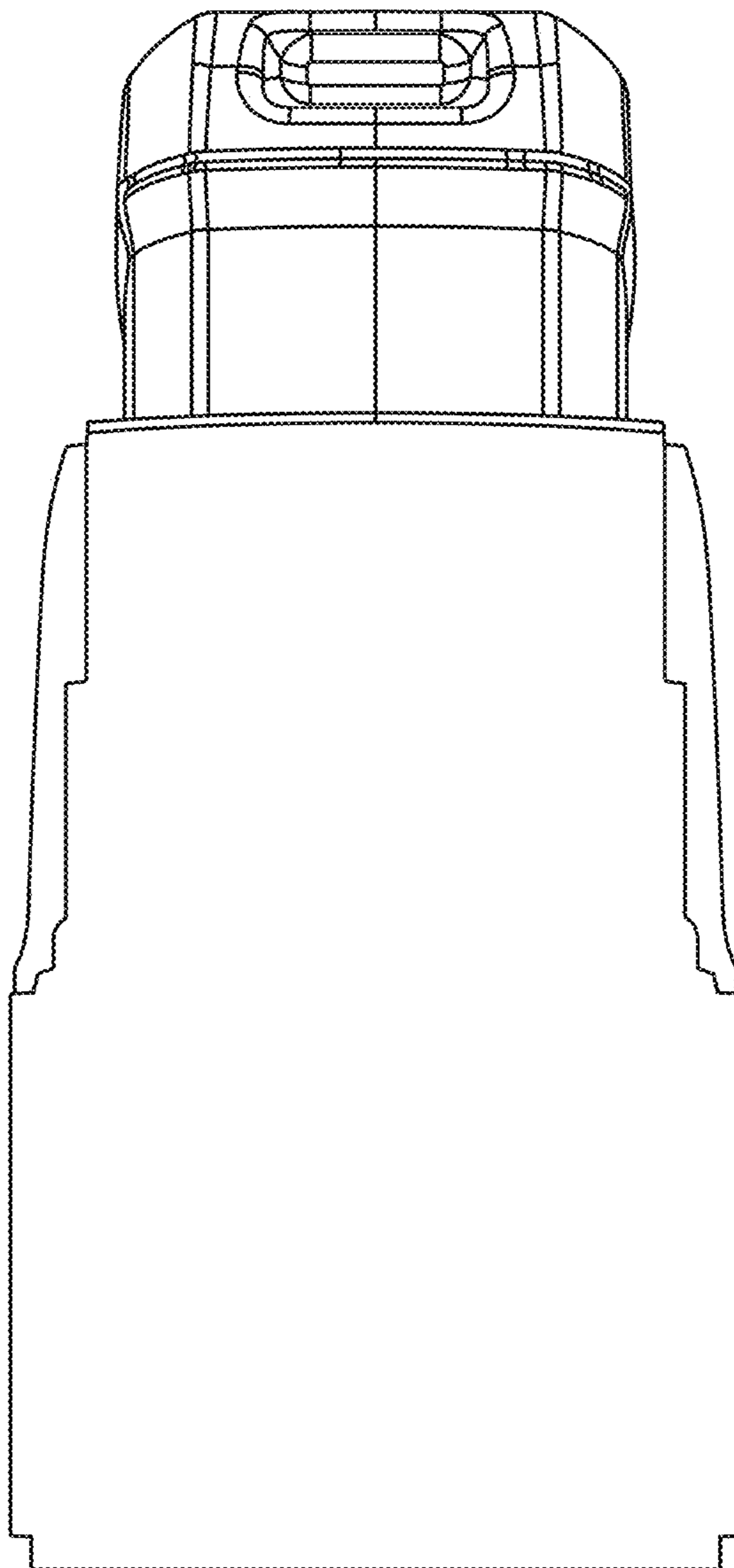


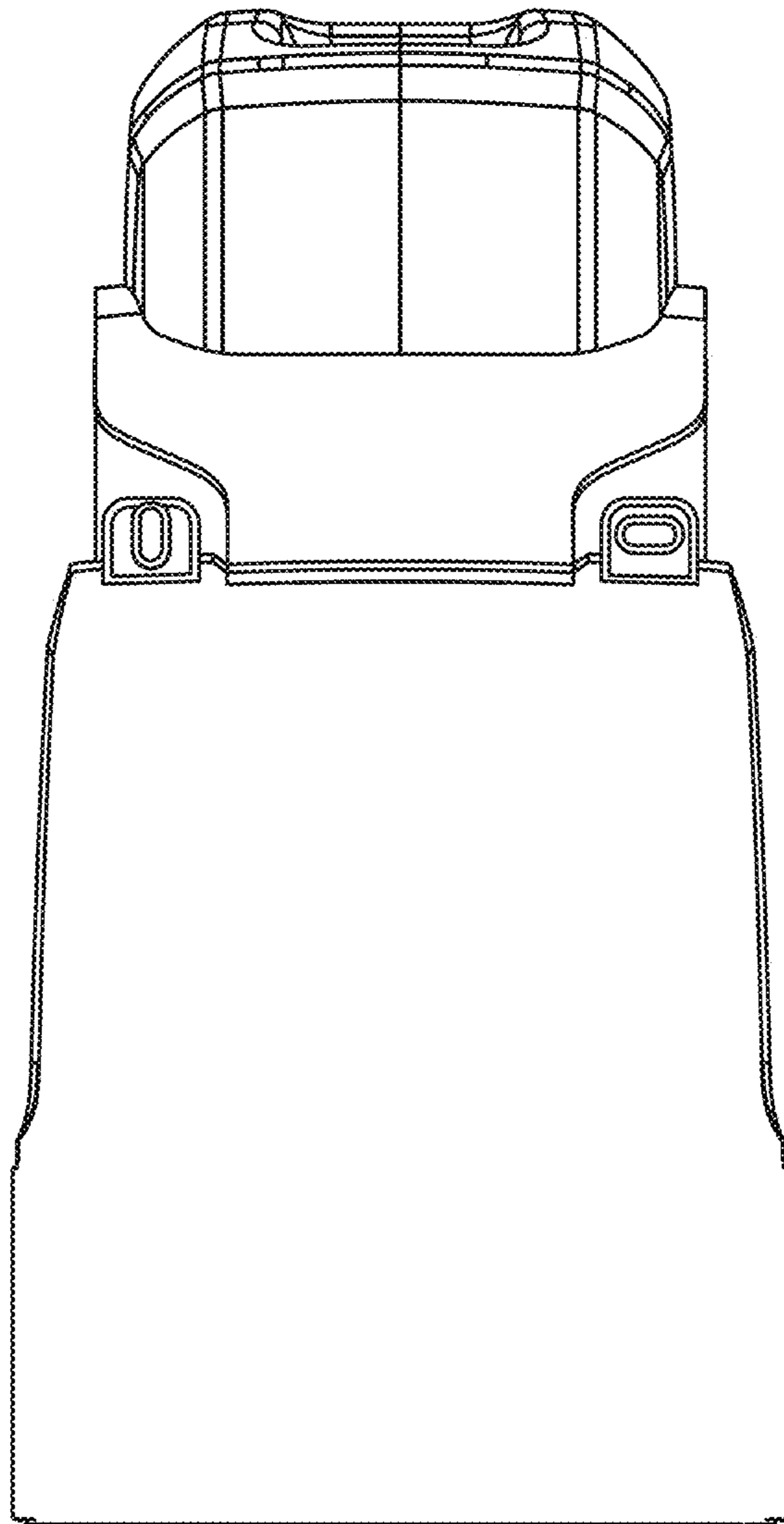
Fig. 11



*Fig. 12*



*Fig. 13*



*Fig. 14*

