



US00D904787S

(12) **United States Design Patent** (10) **Patent No.:** **US D904,787 S**  
**Berdugo-Adler** (45) **Date of Patent:** **\*\* Dec. 15, 2020**

(54) **HAND-HELD TOWEL DISPENSER**

(71) Applicant: **Joelle Berdugo-Adler**, Marina del Rey, CA (US)

(72) Inventor: **Joelle Berdugo-Adler**, Marina del Rey, CA (US)

(73) Assignee: **CLEAN4E LLC**, Marina Del Rey, CA (US)

(\*\*) Term: **15 Years**

(21) Appl. No.: **29/610,908**

(22) Filed: **Jul. 17, 2017**

(51) **LOC (12) Cl.** ..... **06-04**

(52) **U.S. Cl.**  
USPC ..... **D6/522**

(58) **Field of Classification Search**  
USPC ..... D6/512, 515, 516, 517, 518, 519, 520, D6/521, 522, 523, 524; D8/303  
CPC ..... A47K 2010/3266; A47K 10/32; A47K 10/36; A47K 10/38; A47K 10/46; A47K 2010/3206; A47K 10/3809; A47K 10/3818; A47K 10/3836; A47K 10/40; A47K 10/42; A47K 10/421; A47K 10/424; A47F 5/08; A47F 1/04; A47F 7/0028; A47F 1/126; A47F 5/0823; A47F 5/0018; A47F 5/0807; A47F 7/00; A47F 1/125; A47F 1/128; A47F 3/0486; A47F 5/0006; A47F 5/0025; A47F 5/0056; A47F 5/01

See application file for complete search history.

(56) **References Cited**

**U.S. PATENT DOCUMENTS**

D191,751 S \* 11/1961 Woodall ..... 280/821  
D195,520 S \* 6/1963 Miller ..... D21/775  
D198,197 S \* 5/1964 Utz ..... D8/303  
D323,280 S \* 1/1992 Chen ..... 74/551.9  
D342,884 S \* 1/1994 Skroskis ..... D8/107

D351,776 S \* 10/1994 Schuchard ..... D8/303  
D383,049 S \* 9/1997 Concari ..... D8/10  
D387,649 S \* 12/1997 Concari ..... D8/10  
D394,194 S \* 5/1998 Brunsdon ..... D19/65  
D394,592 S \* 5/1998 Brunsdon ..... D19/65  
D394,974 S \* 6/1998 Albertson, Jr. .... D6/552  
D411,432 S \* 6/1999 Stahel ..... D8/303  
D482,259 S \* 11/2003 Chen ..... D8/107  
D519,354 S \* 4/2006 Hay ..... D23/236  
D520,849 S \* 5/2006 Mentasti ..... D8/303  
D533,761 S \* 12/2006 Lin ..... D8/107

(Continued)

*Primary Examiner* — Nathan M Johnston

(74) *Attorney, Agent, or Firm* — Mark C. Johnson; Johnson Dalal

(57) **CLAIM**

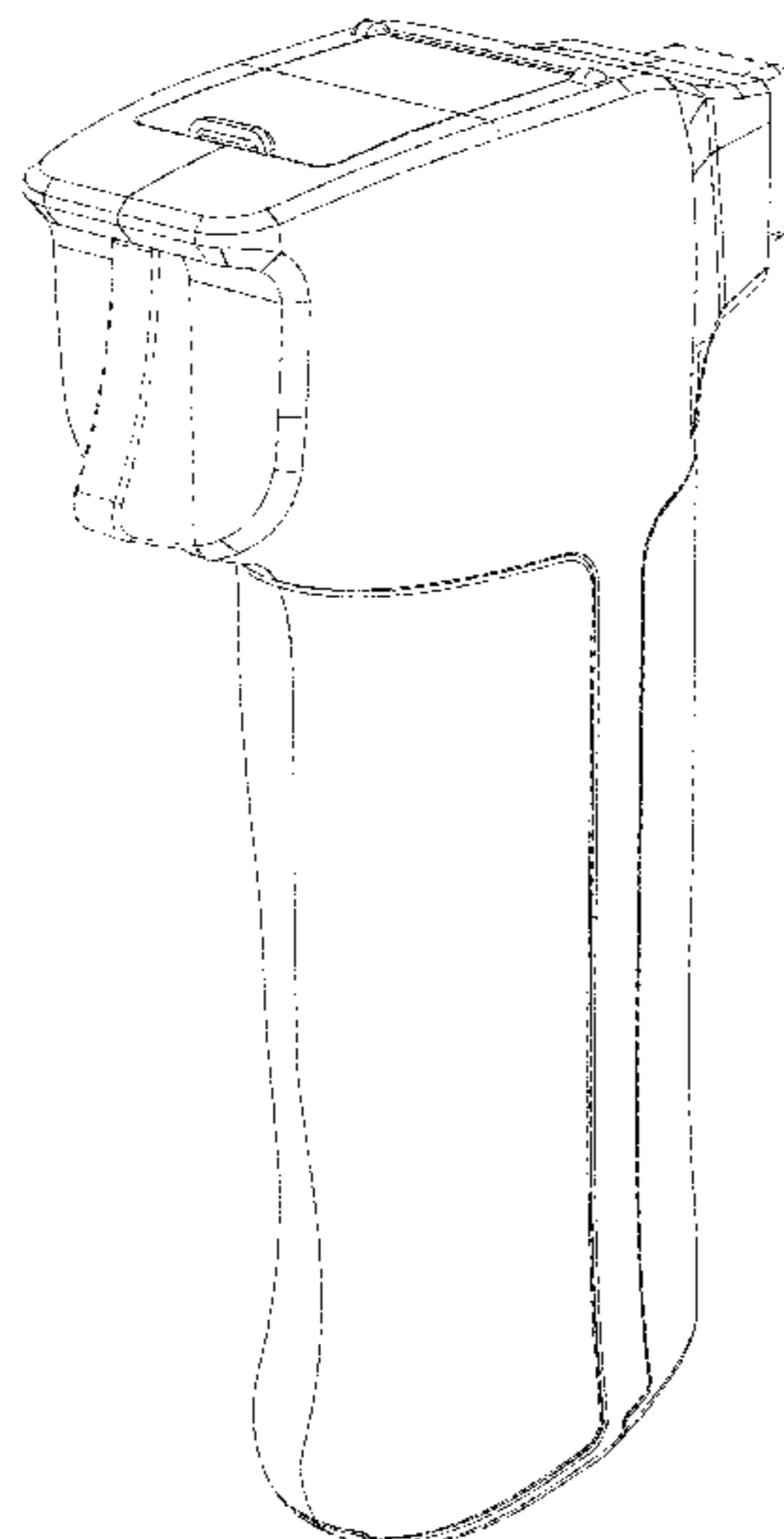
The ornamental design for a hand-held towel dispenser, as shown and described.

**DESCRIPTION**

FIG. 1 is an elevational left-side view of a hand-held towel dispenser in accordance with the present invention; FIG. 2 is an elevational rear view of the hand-held towel dispenser of FIG. 1; FIG. 3 is an elevational right-side view of the hand-held towel dispenser of FIG. 1; FIG. 4 is an elevational front view of the hand-held towel dispenser of FIG. 1; FIG. 5 is a perspective downward-looking front view of the hand-held towel dispenser of FIG. 1; FIG. 6 is a perspective downward-looking rear view of the hand-held towel dispenser of FIG. 1; FIG. 7 is a top plan view of the hand-held towel dispenser of FIG. 1; and, FIG. 8 is a bottom plan view of the hand-held towel dispenser of FIG. 1.

The broken lines shown in the drawings depict portions of the hand-held towel dispenser which form no part of the claimed design.

**1 Claim, 8 Drawing Sheets**



(56)

**References Cited**

U.S. PATENT DOCUMENTS

D544,777 S *	6/2007	Yeh .....	D8/303
D551,054 S *	9/2007	Eijvinsoon .....	D8/303
D554,465 S *	11/2007	Laurienzo .....	D12/179
D560,463 S *	1/2008	Egan .....	D8/303
D565,384 S *	4/2008	Chen .....	D8/303
D590,690 S *	4/2009	Bertini .....	D8/303
D718,602 S *	12/2014	Musser .....	D8/107
D719,808 S *	12/2014	Musser .....	D8/107
D770,195 S *	11/2016	Berdugo Adler .....	D6/518
2012/0054984 A1 *	3/2012	Sun .....	B25F 5/02 16/110.1

\* cited by examiner

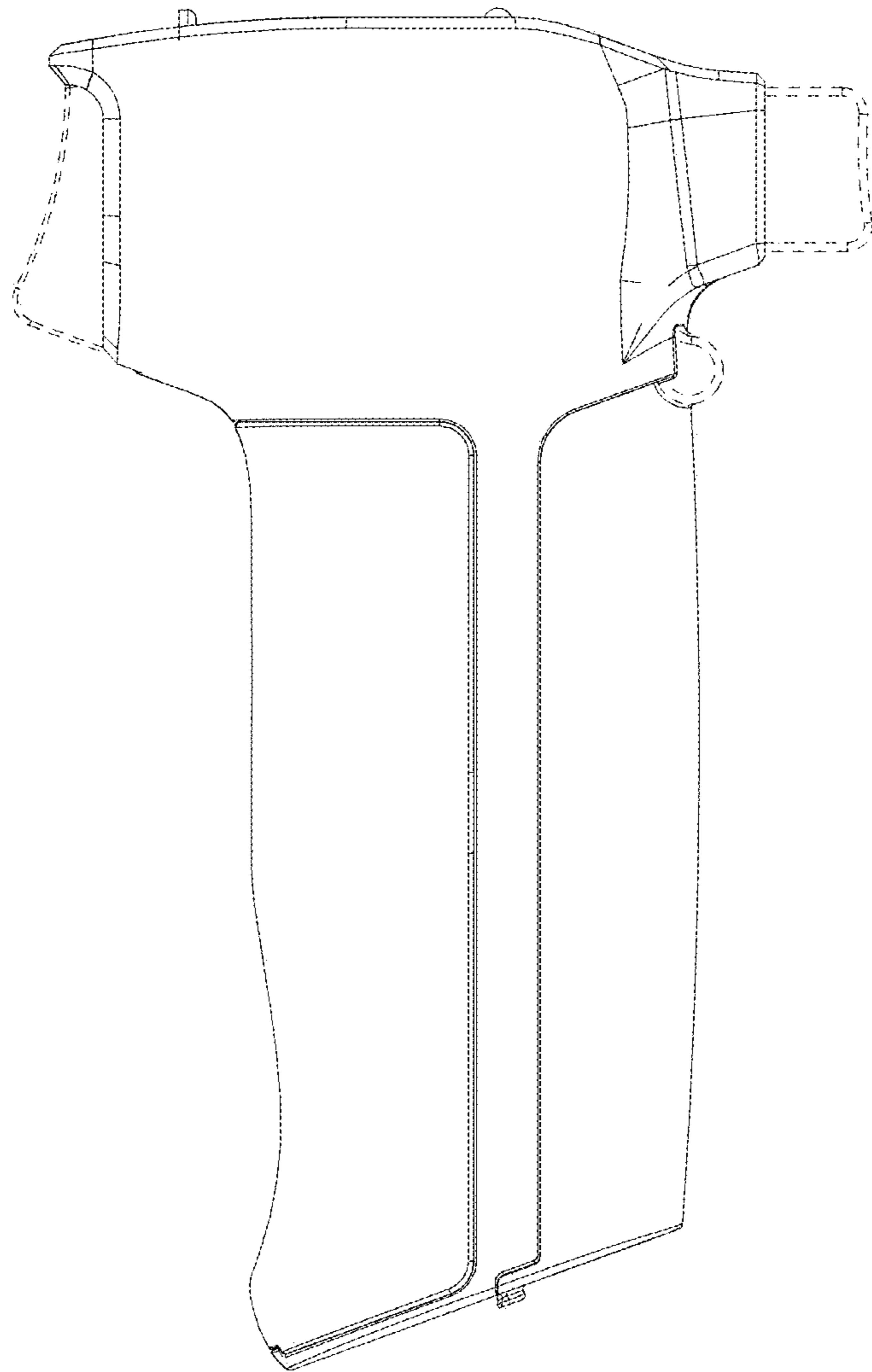


FIG 1

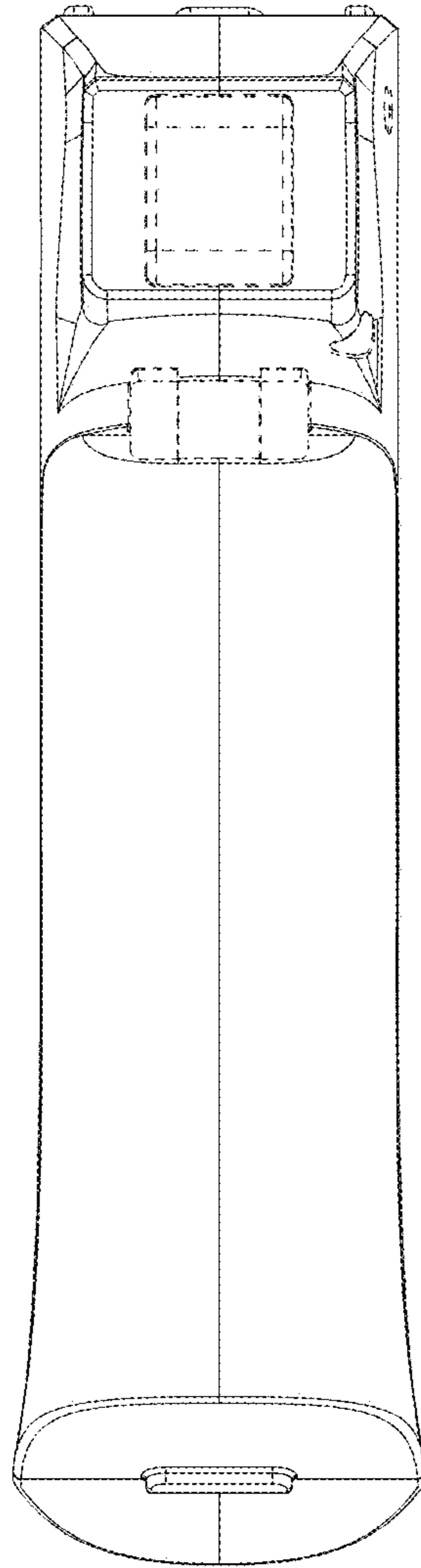


FIG 2

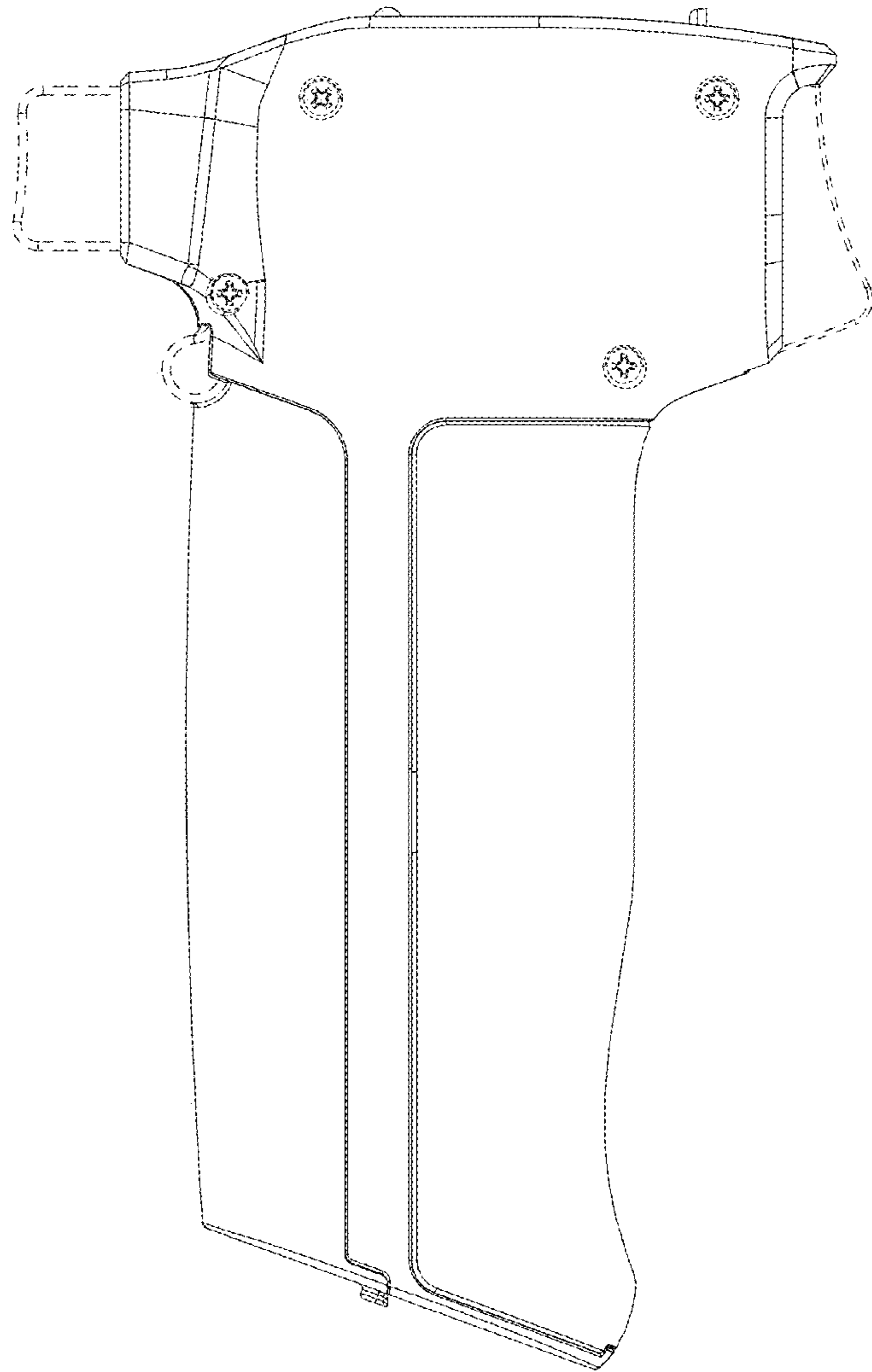


FIG 3

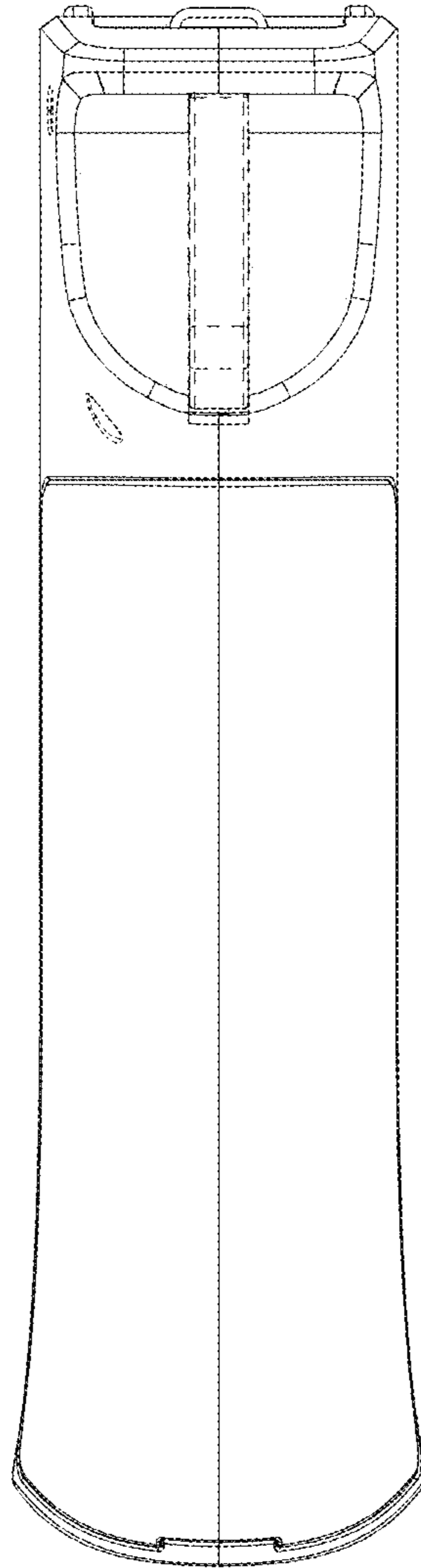


FIG 4

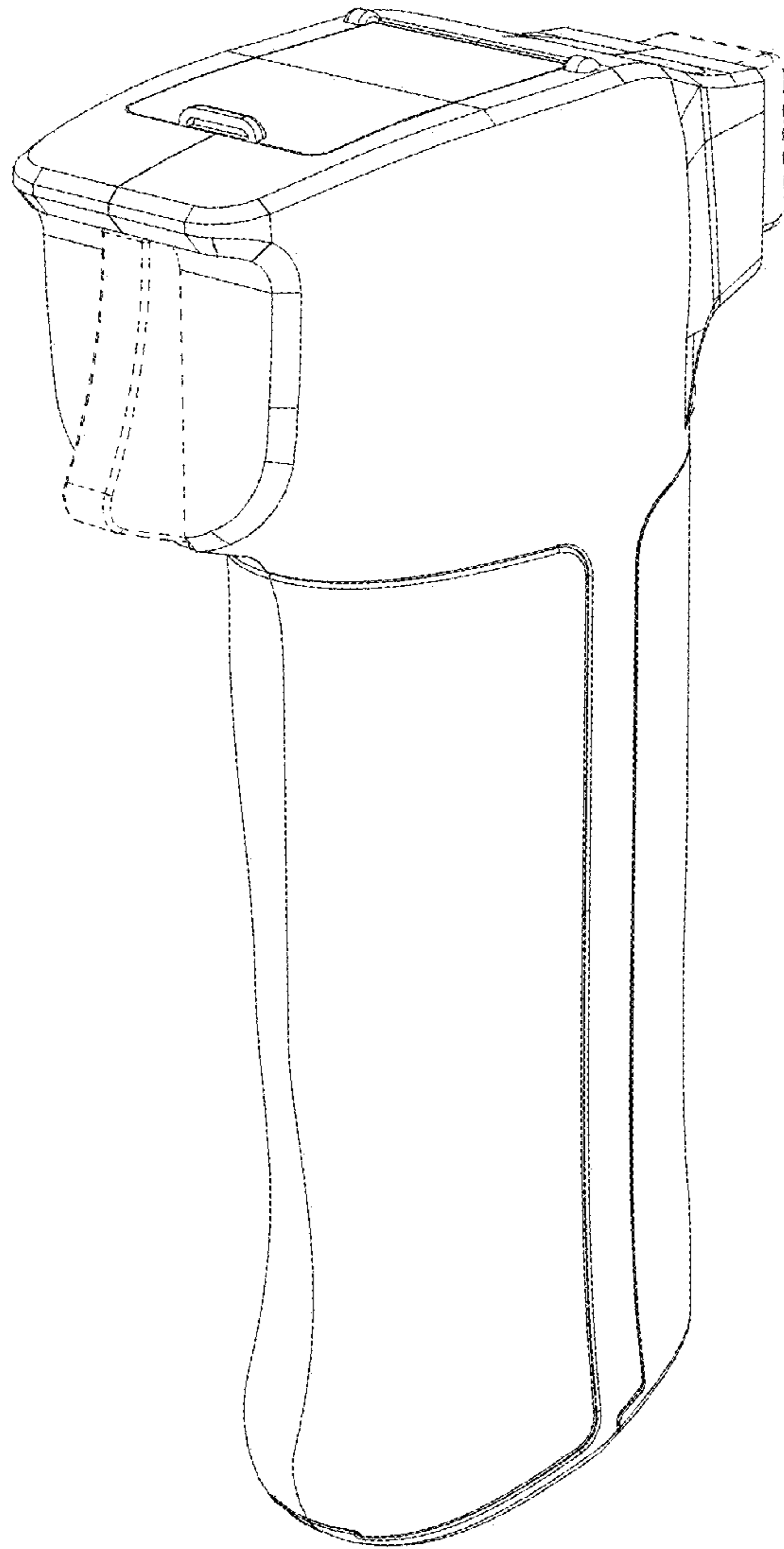


FIG 5

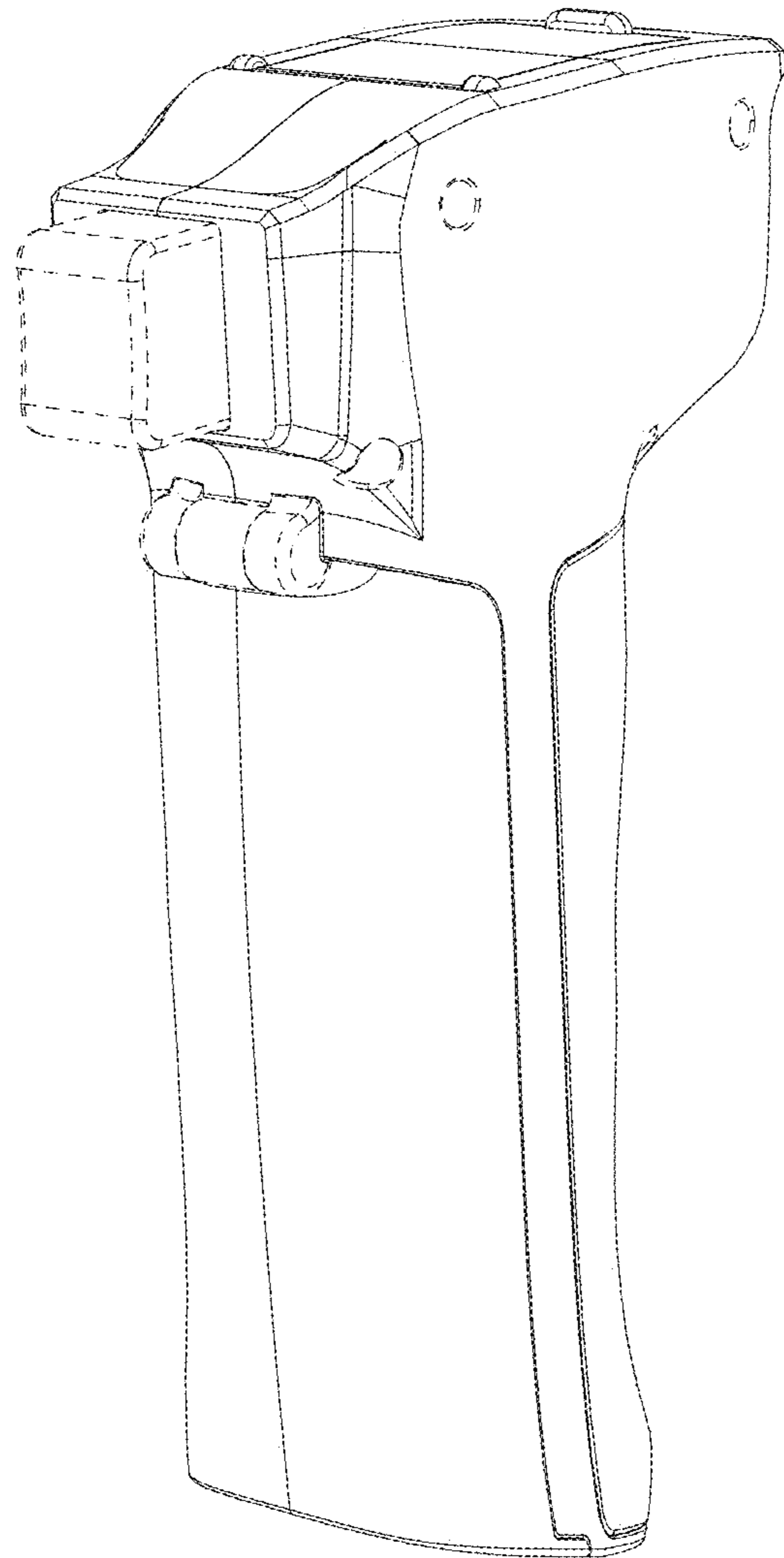


FIG 6



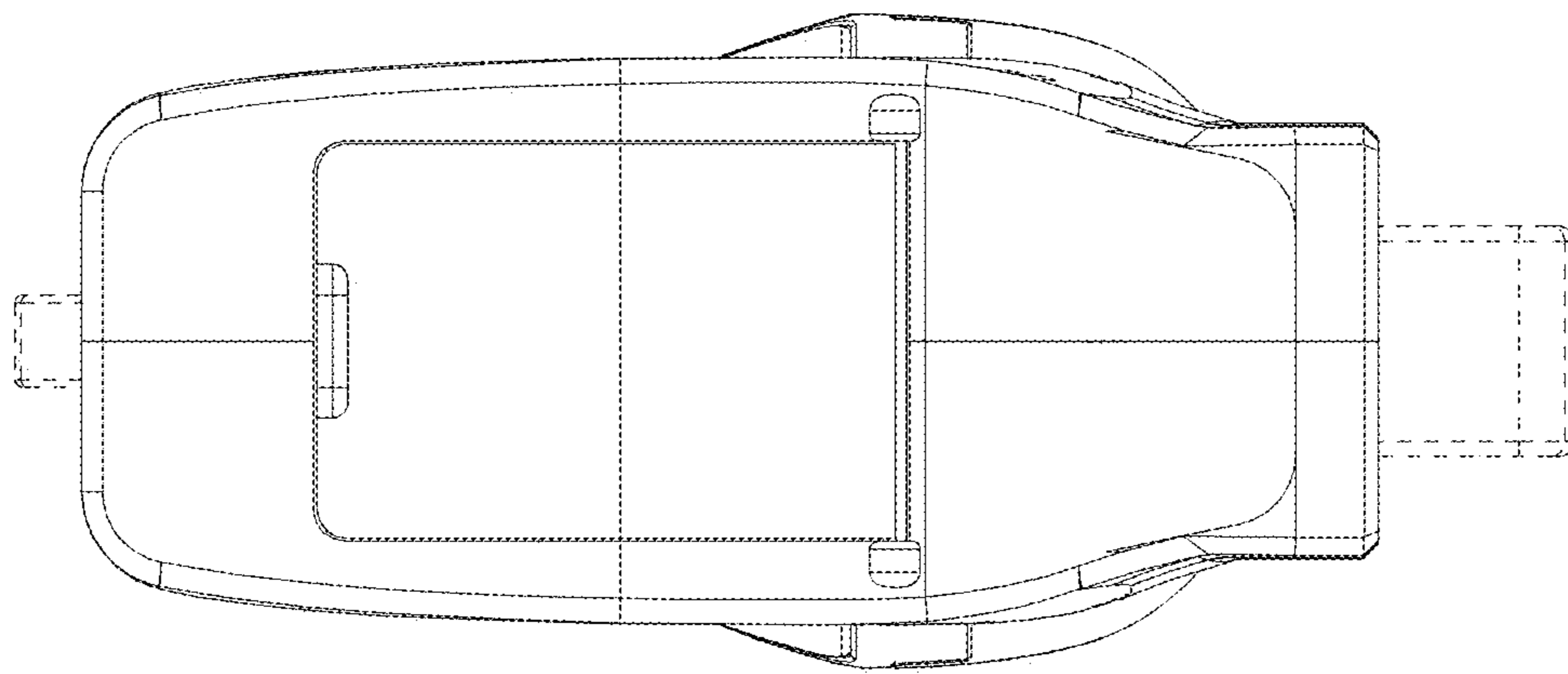


FIG 7

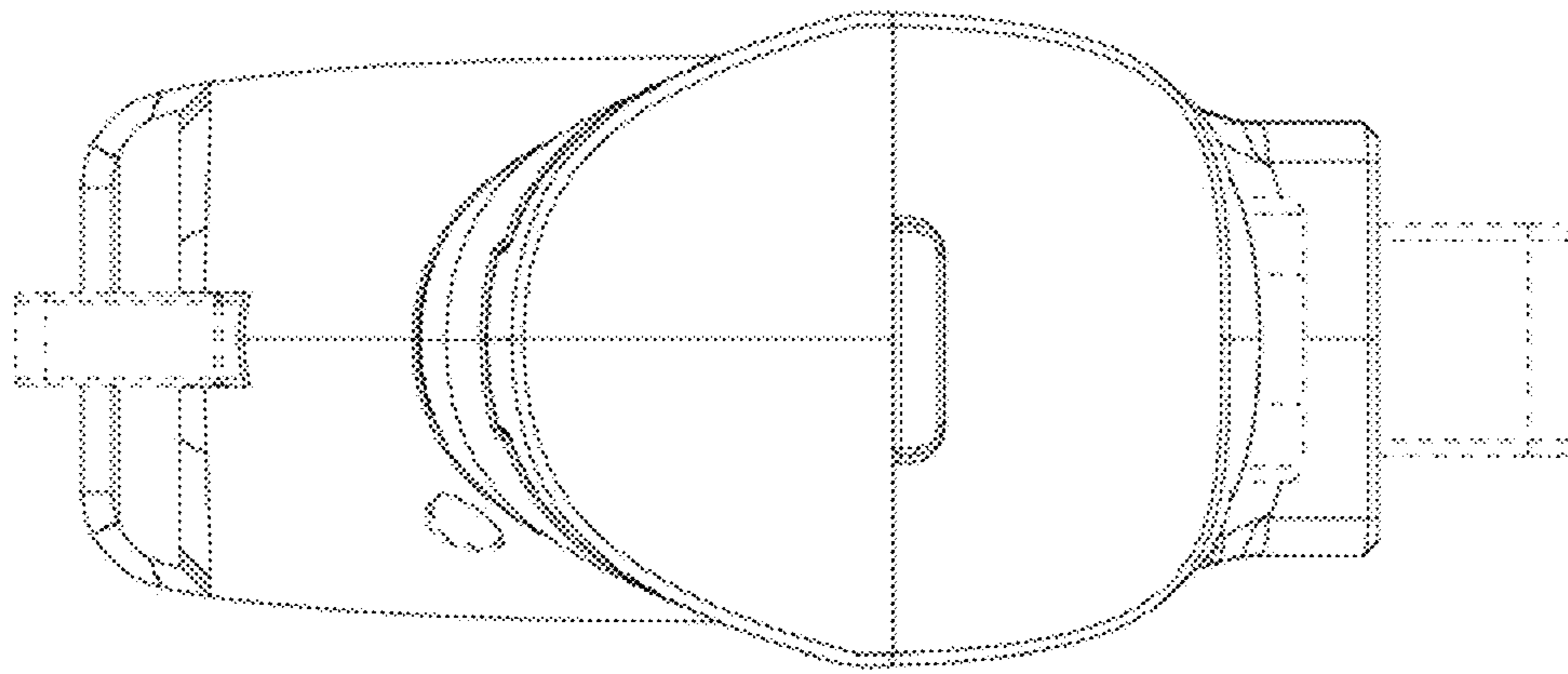


FIG 8