



US00D904786S

(12) **United States Design Patent**
Fraessle

(10) **Patent No.:** **US D904,786 S**

(45) **Date of Patent:** **** Dec. 15, 2020**

(54) **TOWEL DISPENSER COVER**

(71) Applicant: **Herbert Fraessle, Lahr (DE)**

(72) Inventor: **Herbert Fraessle, Lahr (DE)**

(**) Term: **15 Years**

(21) Appl. No.: **35/505,433**

(22) Filed: **Jan. 23, 2018**

(80) **Hague Agreement Data**

Int. Filing Date: **Jan. 23, 2018**

Int. Reg. No.: **DM/102099**

Int. Reg. Date: **Jan. 23, 2018**

Int. Reg. Pub. Date: **Aug. 10, 2018**

(51) **LOC (12) Cl.** **06-06**

(52) **U.S. Cl.**
USPC **D6/518**

(58) **Field of Classification Search**
USPC D6/518, 519–524, 546–550, 300, 466,
D6/512, 553, 567; D8/300, 303,
D8/315–321; D19/86, 90, 91; D9/337,
D9/414, 416, 417, 418, 430, 432, 422
CPC A47K 10/38; A47K 2010/3266; A47K
2010/3253; A47K 10/421; A47K 10/185;
A47K 10/42; B65D 83/0805; A45F 5/04
See application file for complete search history.

(56) **References Cited**

U.S. PATENT DOCUMENTS

D320,133 S * 9/1991 Carranza D6/518
D352,412 S * 11/1994 Lopez D6/518

D353,996 S * 1/1995 Boysen D30/110
D463,930 S * 10/2002 Mai D6/518
D629,634 S * 12/2010 Hicks D6/518
D727,054 S * 4/2015 James B65D 77/003
D6/518
D850,144 S * 6/2019 Joseph D6/518
2016/0368425 A1* 12/2016 Kendall B65D 83/0805

* cited by examiner

Primary Examiner — Jennifer L Rempfer

(74) *Attorney, Agent, or Firm* — Volpe Koenig

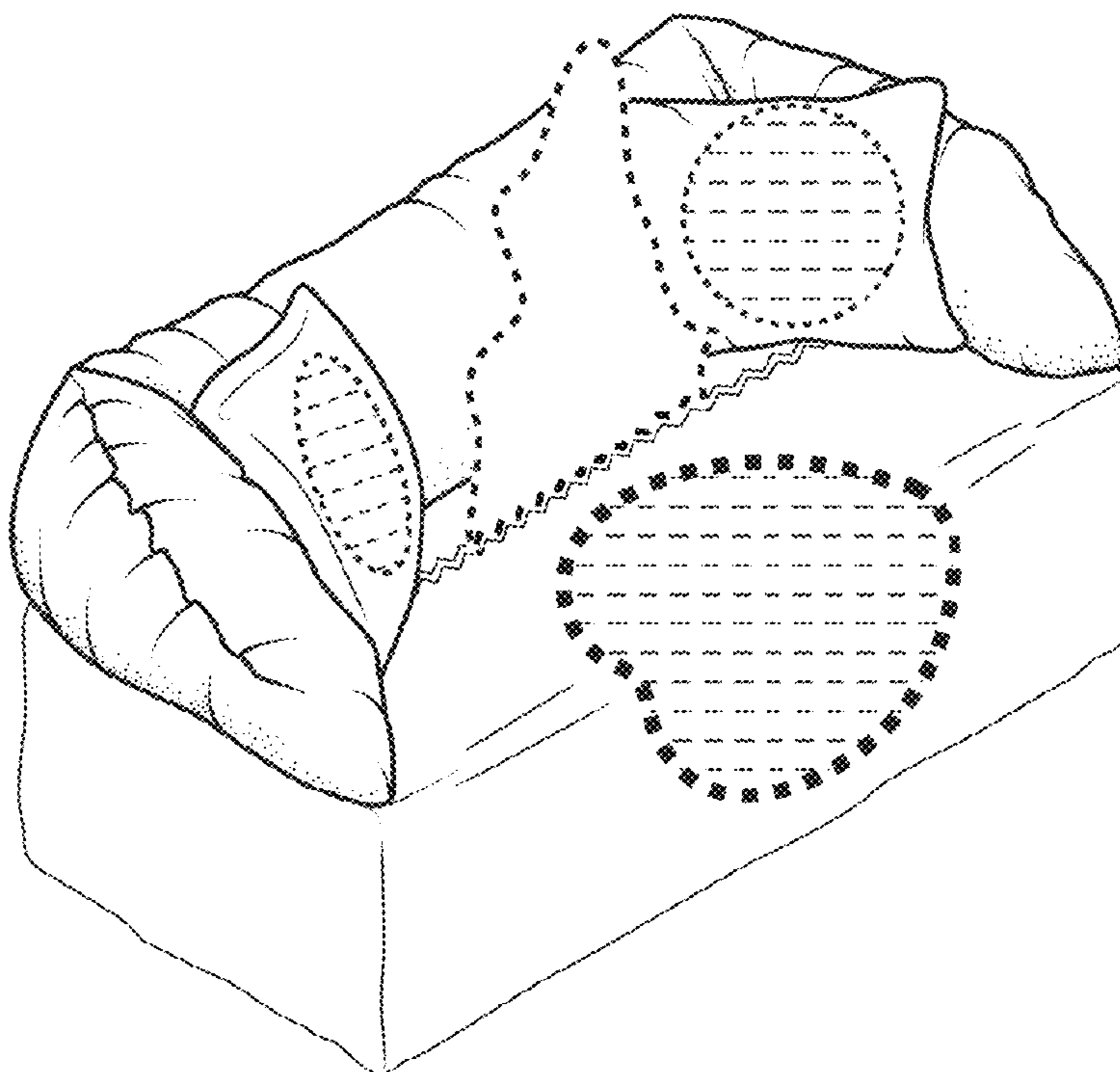
(57) **CLAIM**

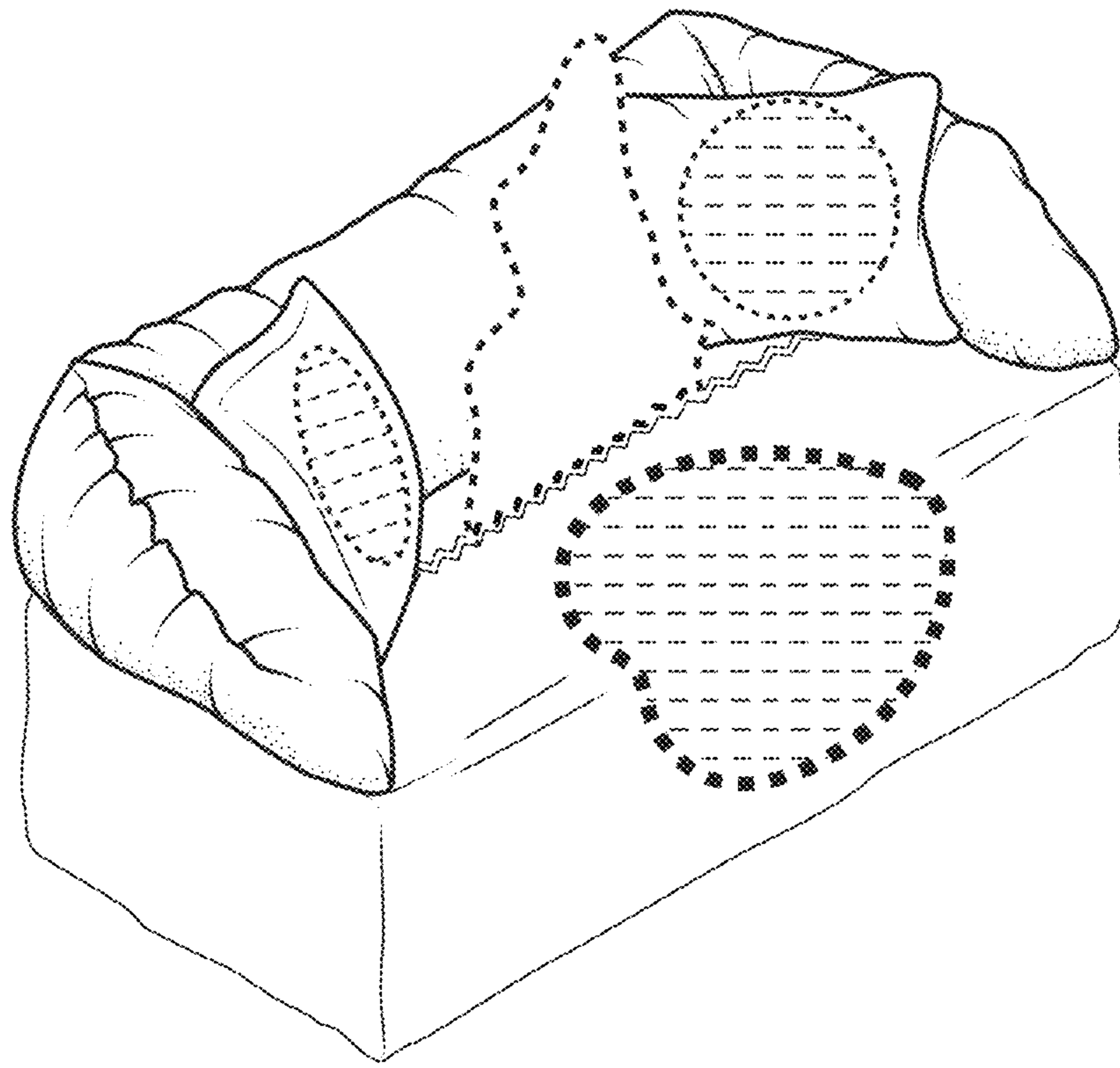
The ornamental design for a towel dispenser cover, as shown and described.

DESCRIPTION

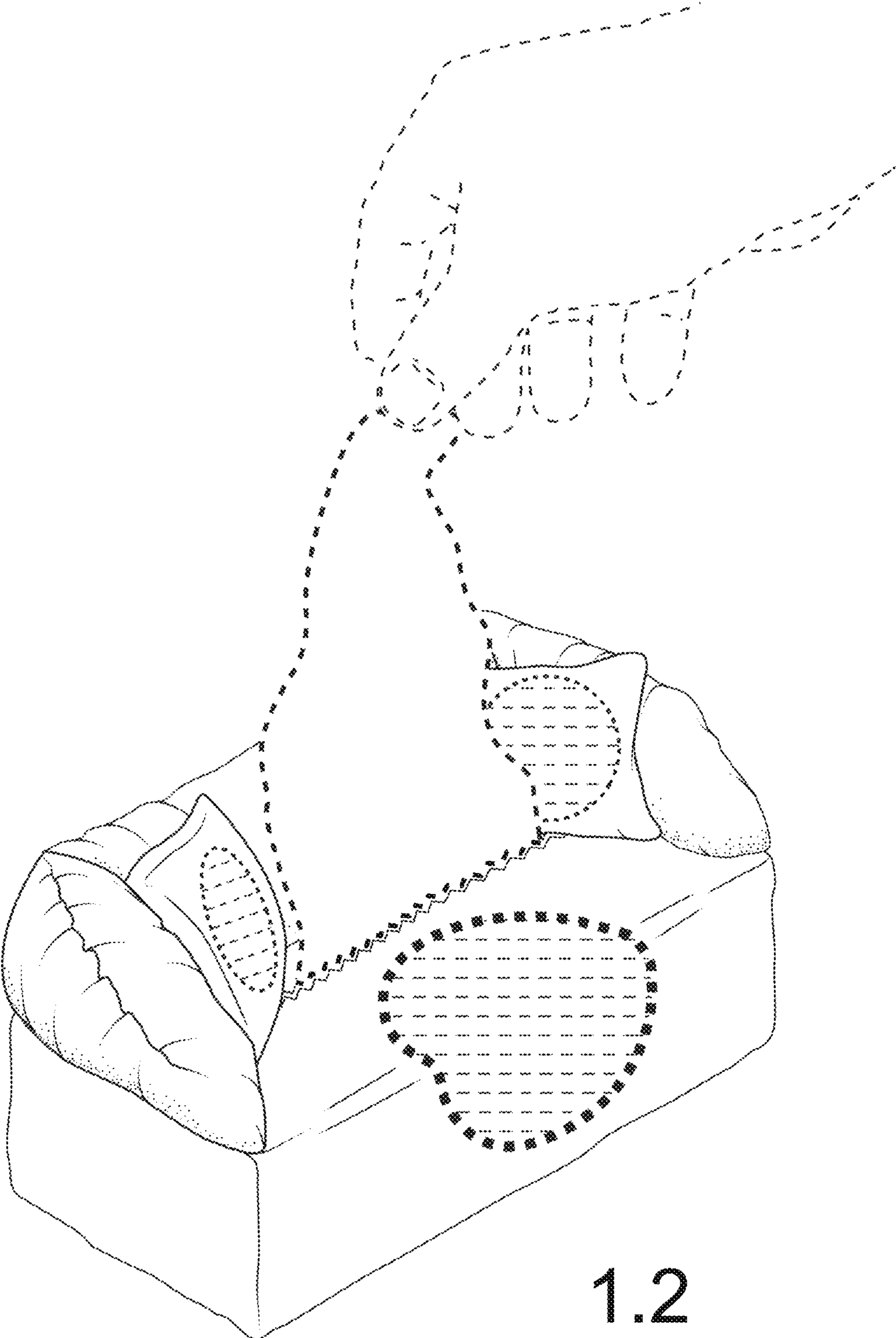
1. Towel dispenser cover
1.1 : Top Perspective
1.2 : Alternate Top Perspective in Environment of Use
1.3 : Bottom perspective in Environment of Use
1.4 : Bottom
1.5 : Front
Design no. 1 shows a paper towel dispenser cover, wherein the broken line circular and rectangular hatched features do not form part of the claimed design can be seen in place of the selected logo. The broken lines showing portions of the towel dispenser cover and environment of use also form no part of the claimed design.

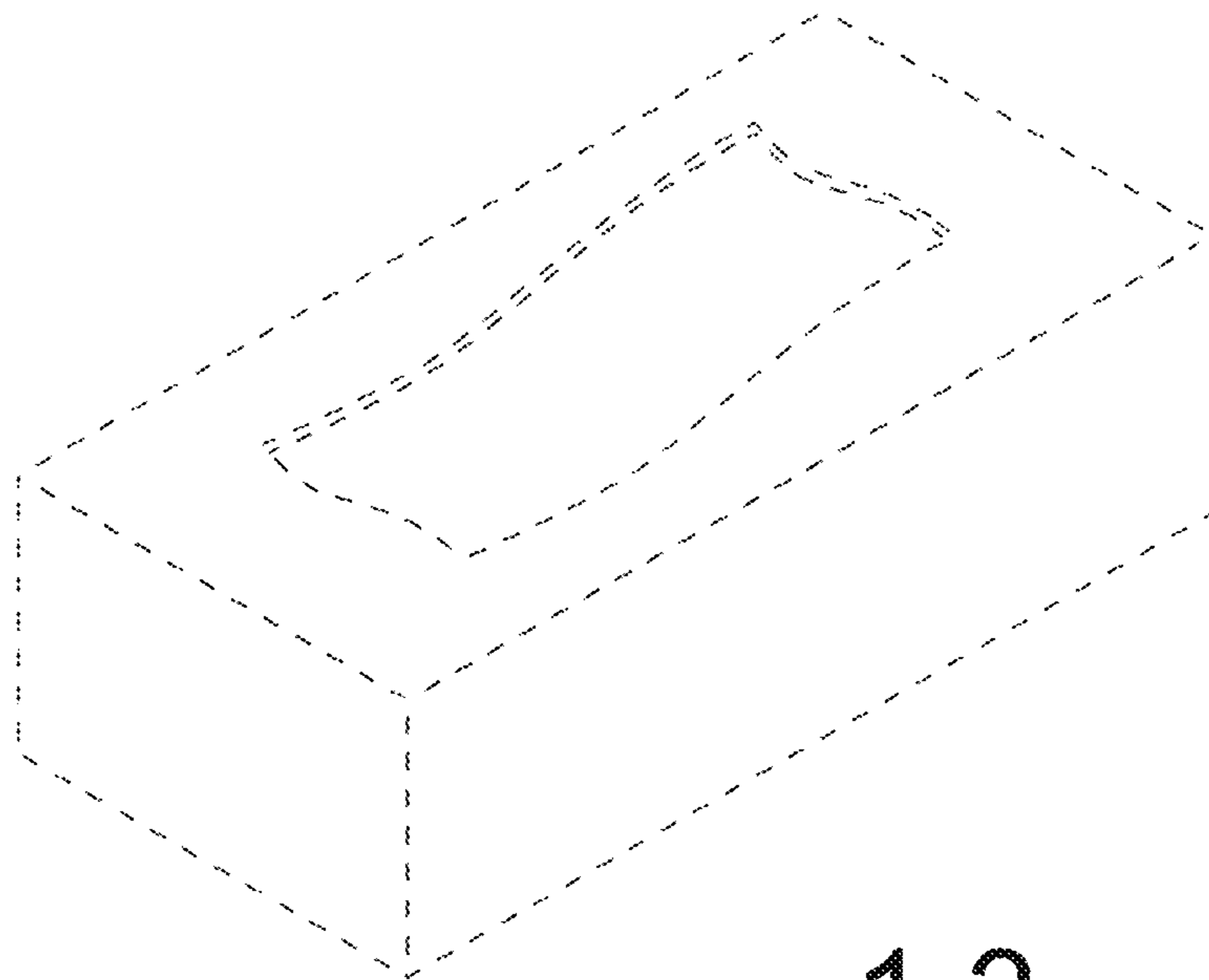
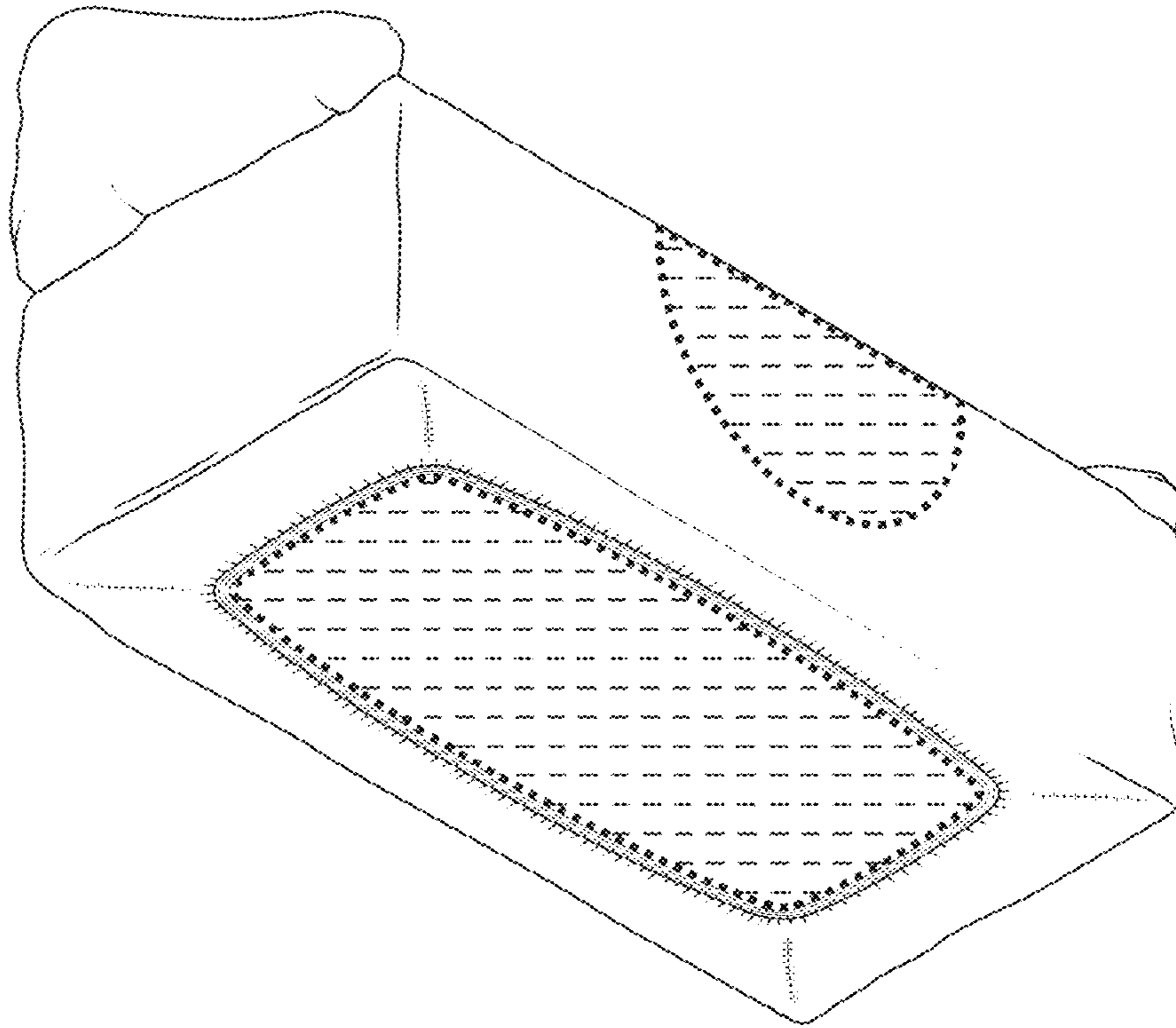
1 Claim, 5 Drawing Sheets



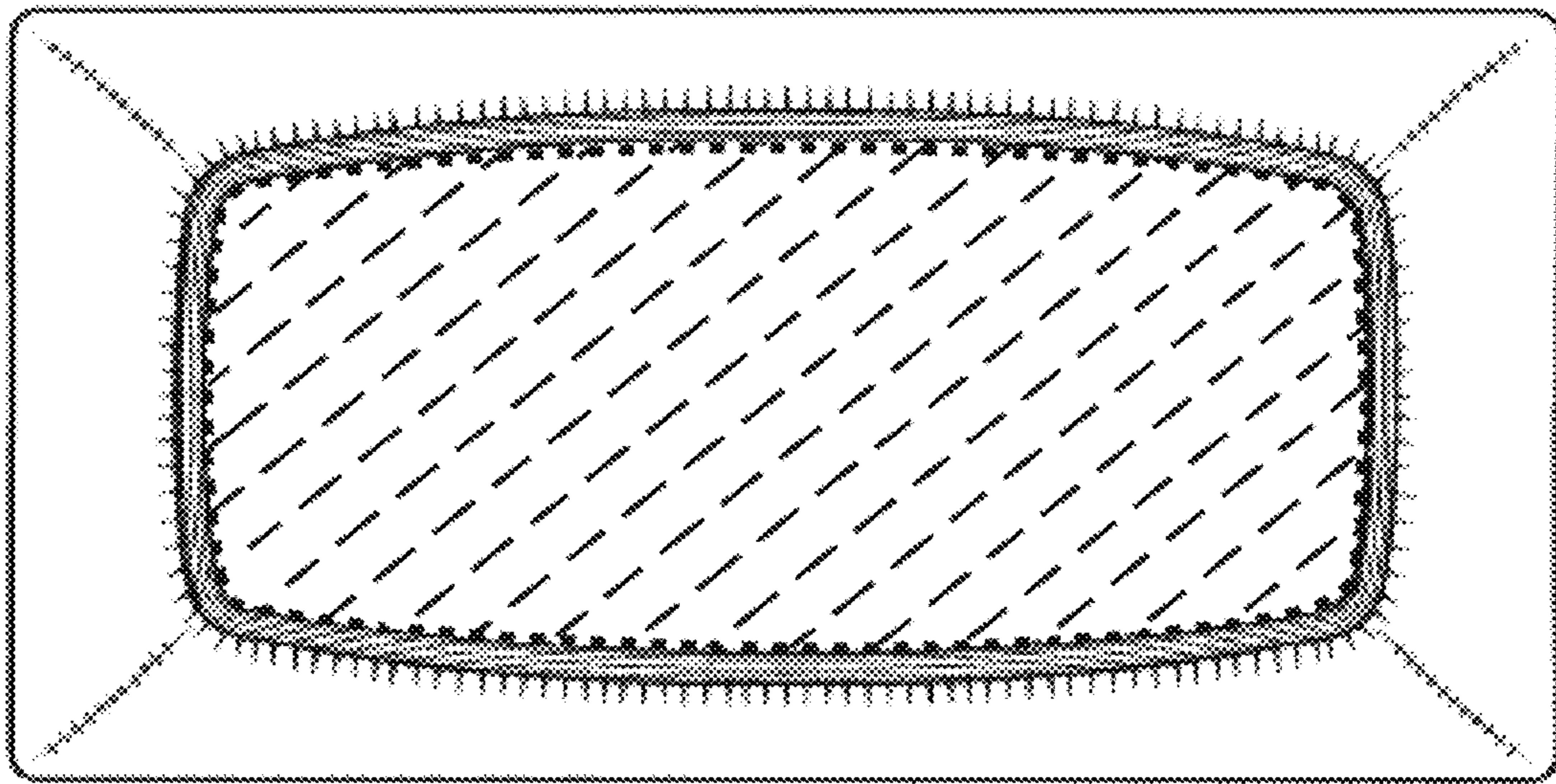


1.1

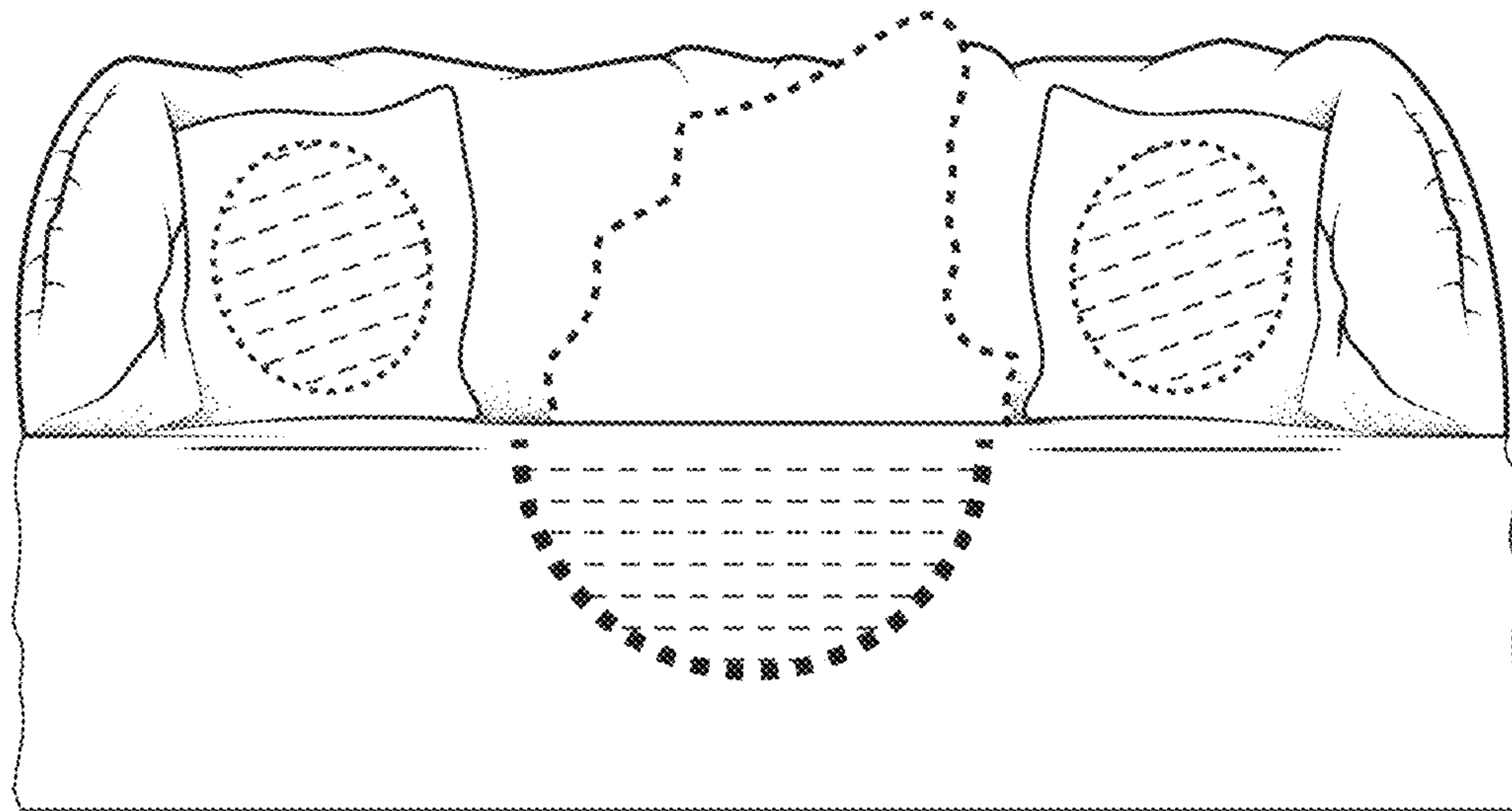




1.3



1.4



1.5

UNITED STATES PATENT AND TRADEMARK OFFICE
CERTIFICATE OF CORRECTION

PATENT NO. : D904,786 S
APPLICATION NO. : 35/505433
DATED : December 15, 2020
INVENTOR(S) : Herbert Fraessle

Page 1 of 1

It is certified that error appears in the above-identified patent and that said Letters Patent is hereby corrected as shown below:

On the Title Page

Please insert:

--(30) Foreign Application Priority Data
Aug. 31, 2017 (DE)40 2017 001 064.6--

Signed and Sealed this
Thirty-first Day of August, 2021



Drew Hirshfeld
*Performing the Functions and Duties of the
Under Secretary of Commerce for Intellectual Property and
Director of the United States Patent and Trademark Office*