

US00D904785S

(12) **United States Design Patent**  
**Hatcher**

(10) **Patent No.:** **US D904,785 S**

(45) **Date of Patent:** **\*\* Dec. 15, 2020**

(54) **STORAGE CASE**

(71) Applicant: **WINSTON PRODUCTS, LLC**,  
Cleveland, OH (US)

(72) Inventor: **Troy Hatcher**, Bay Village, OH (US)

(73) Assignee: **WINSTON PRODUCTS LLC**,  
Cleveland, OH (US)

(\*\*) Term: **15 Years**

(21) Appl. No.: **29/648,681**

(22) Filed: **May 23, 2018**

(51) **LOC (12) Cl.** ..... **06-06**

(52) **U.S. Cl.**  
USPC ..... **D6/512**

(58) **Field of Classification Search**  
USPC ..... D6/512, 672, 675, 675.1, 675.4, 678,  
D6/678.1, 678.2, 673, 436, 449, 466, 470,  
D6/474, 477, 478, 479, 630; 211/42,  
211/44-45, 48, 50, 90.01, 133.1, 41.14,  
211/43, 205; 312/117-119, 278-279, 7.1,  
312/7.2, 9.1, 111, 249.6, 249.8, 249.13;  
108/59, 108, 161  
CPC ..... A47B 63/00; A47B 96/02; A47B 43/00;  
A47B 49/00

See application file for complete search history.

(56) **References Cited**

**U.S. PATENT DOCUMENTS**

D451,309 S \* 12/2001 Riga ..... D6/672  
D488,338 S \* 4/2004 Nelson ..... D6/512

D723,844 S \* 3/2015 Hawkins ..... D6/678  
D744,773 S \* 12/2015 Yoon ..... D6/678  
D797,477 S \* 9/2017 Horsky ..... D6/675.4  
D864,625 S \* 10/2019 Rockwell ..... D6/675

\* cited by examiner

*Primary Examiner* — Wan Laymon

*Assistant Examiner* — Mark Booker

(74) *Attorney, Agent, or Firm* — Tucker Ellis LLP

(57) **CLAIM**

The ornamental design for a storage case, as shown and described.

**DESCRIPTION**

FIG. 1 is a perspective view of a storage case showing my new design.

FIG. 2 is a front view thereof.

FIG. 3 is a rear view thereof.

FIG. 4 is a top view thereof.

FIG. 5 is a bottom view thereof.

FIG. 6 is a left side view thereof.

FIG. 7 is a right side view thereof.

FIG. 8 is a perspective view of another storage case showing our new design.

FIG. 9 is a front view thereof.

FIG. 10 is a rear view thereof.

FIG. 11 is a top view thereof.

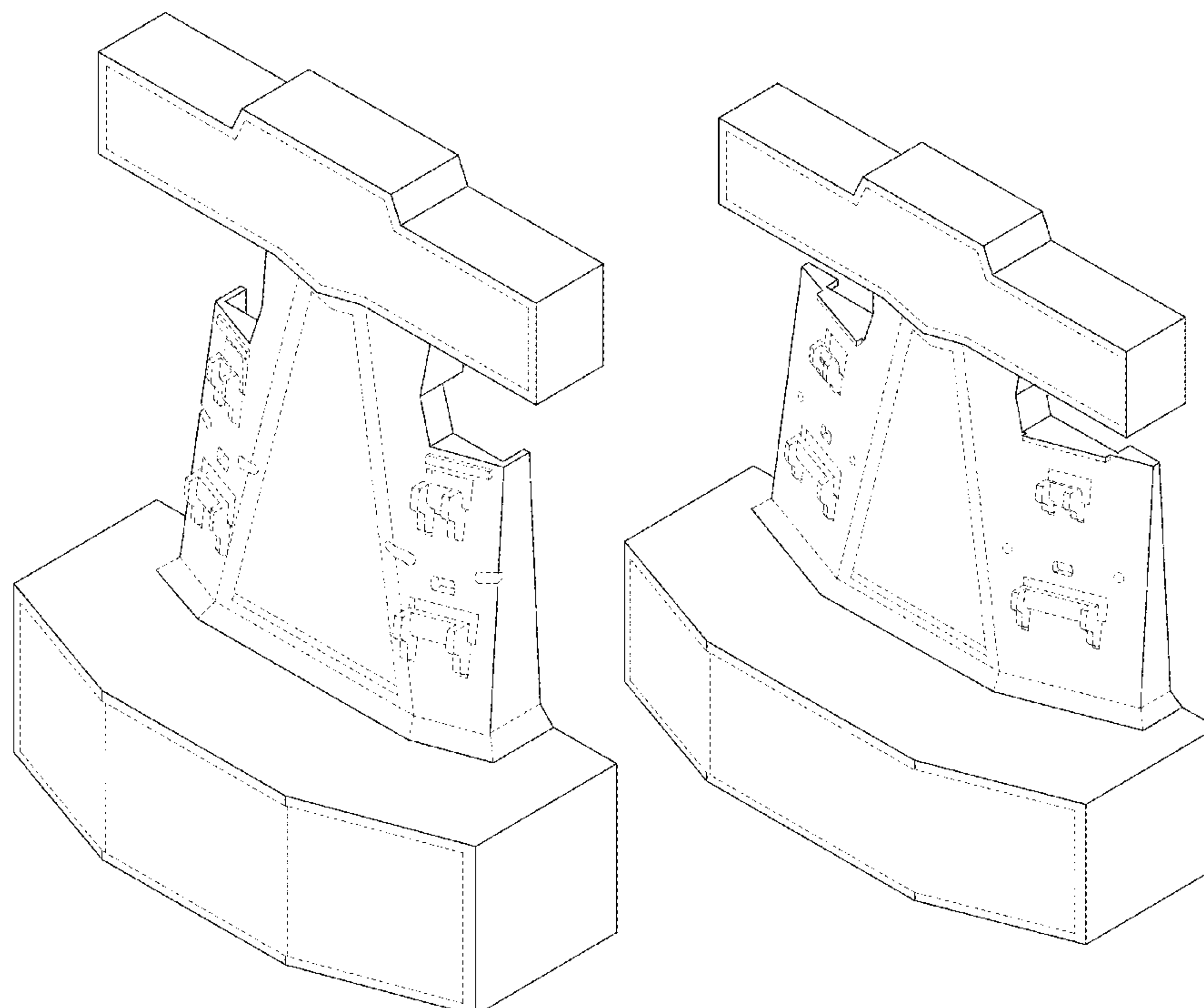
FIG. 12 is a bottom view thereof.

FIG. 13 is a left side view thereof; and,

FIG. 14 is a right side view thereof.

The broken lines show portions of the design that form no part of the claimed design.

**1 Claim, 10 Drawing Sheets**



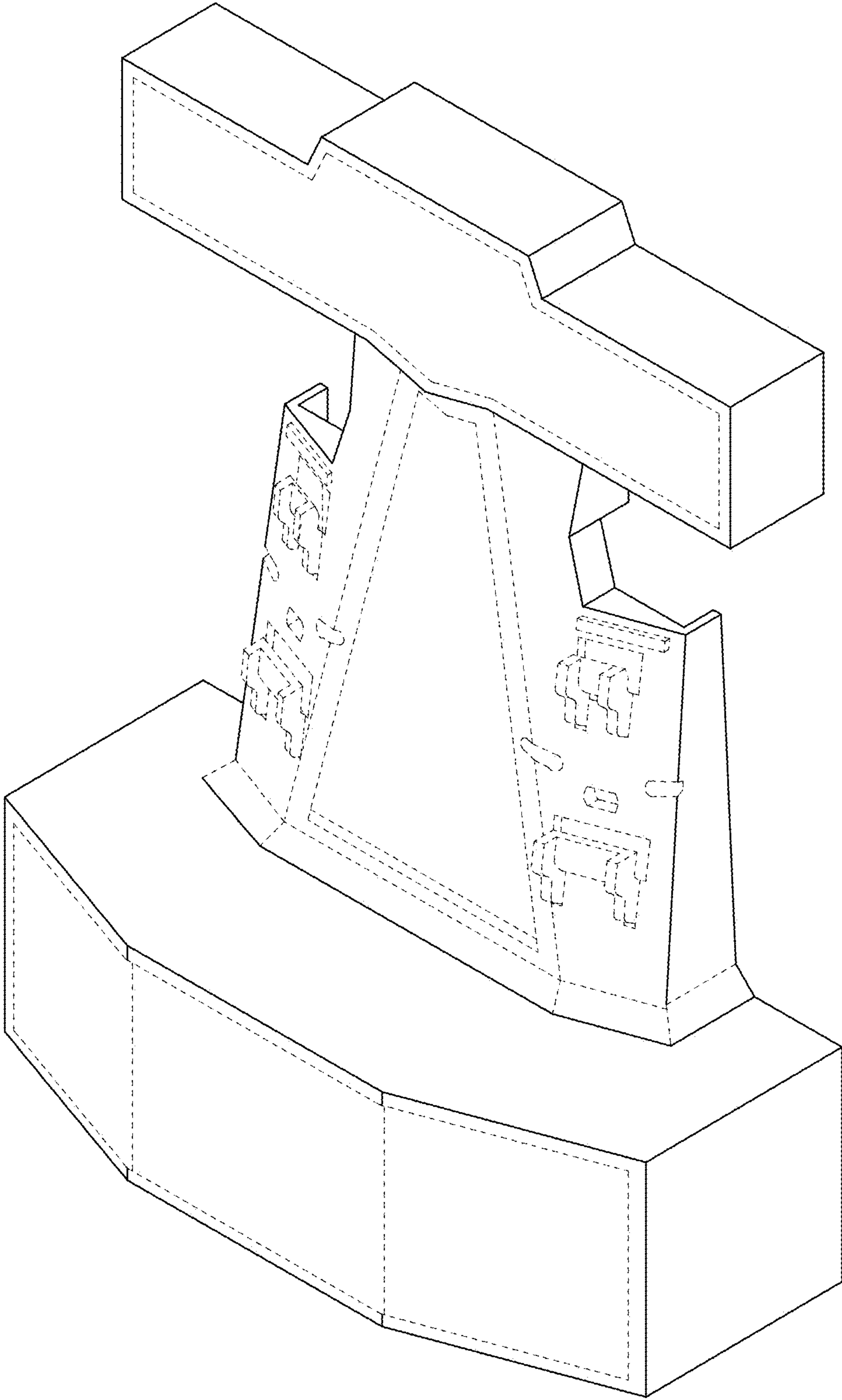


FIG. 1

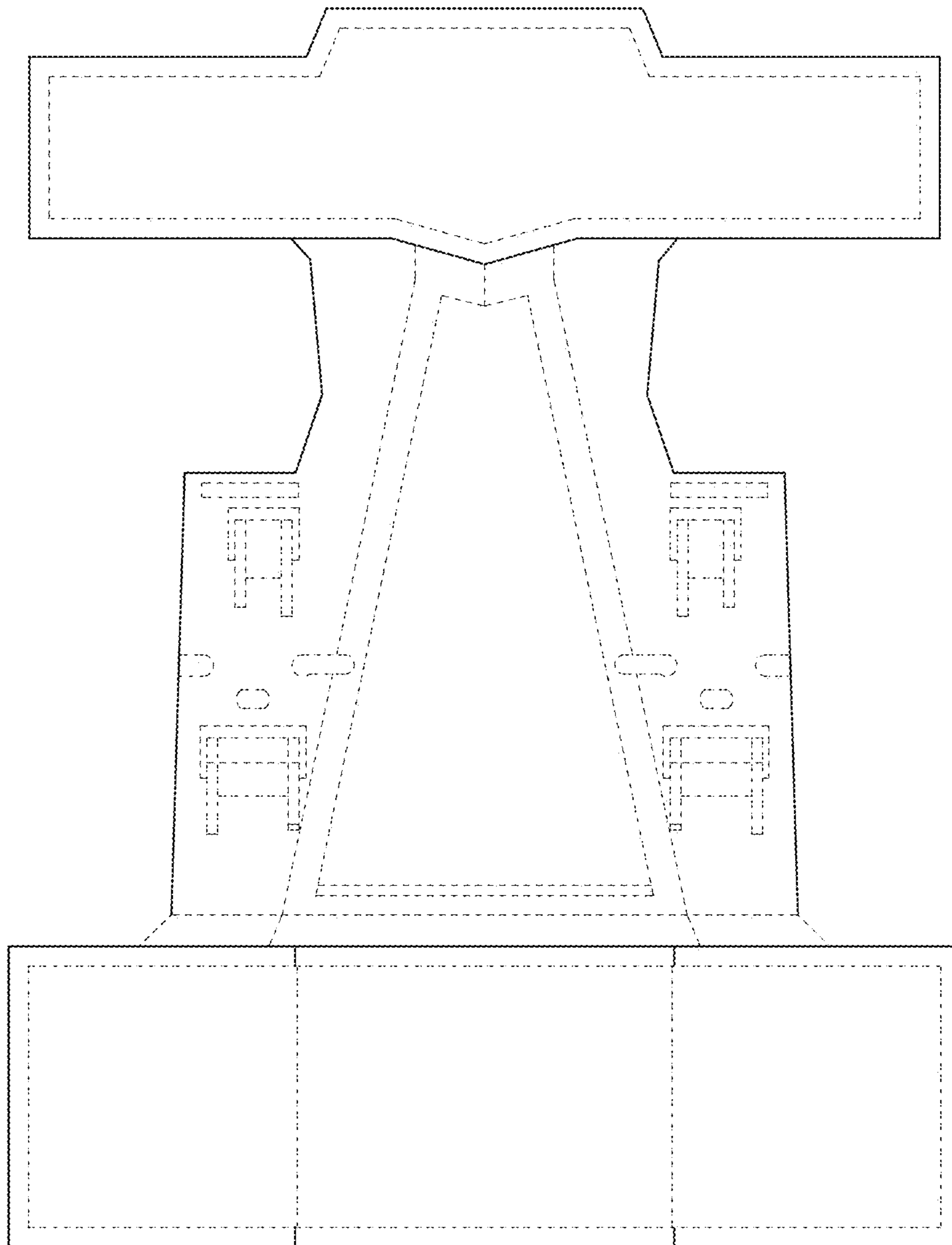


FIG. 2

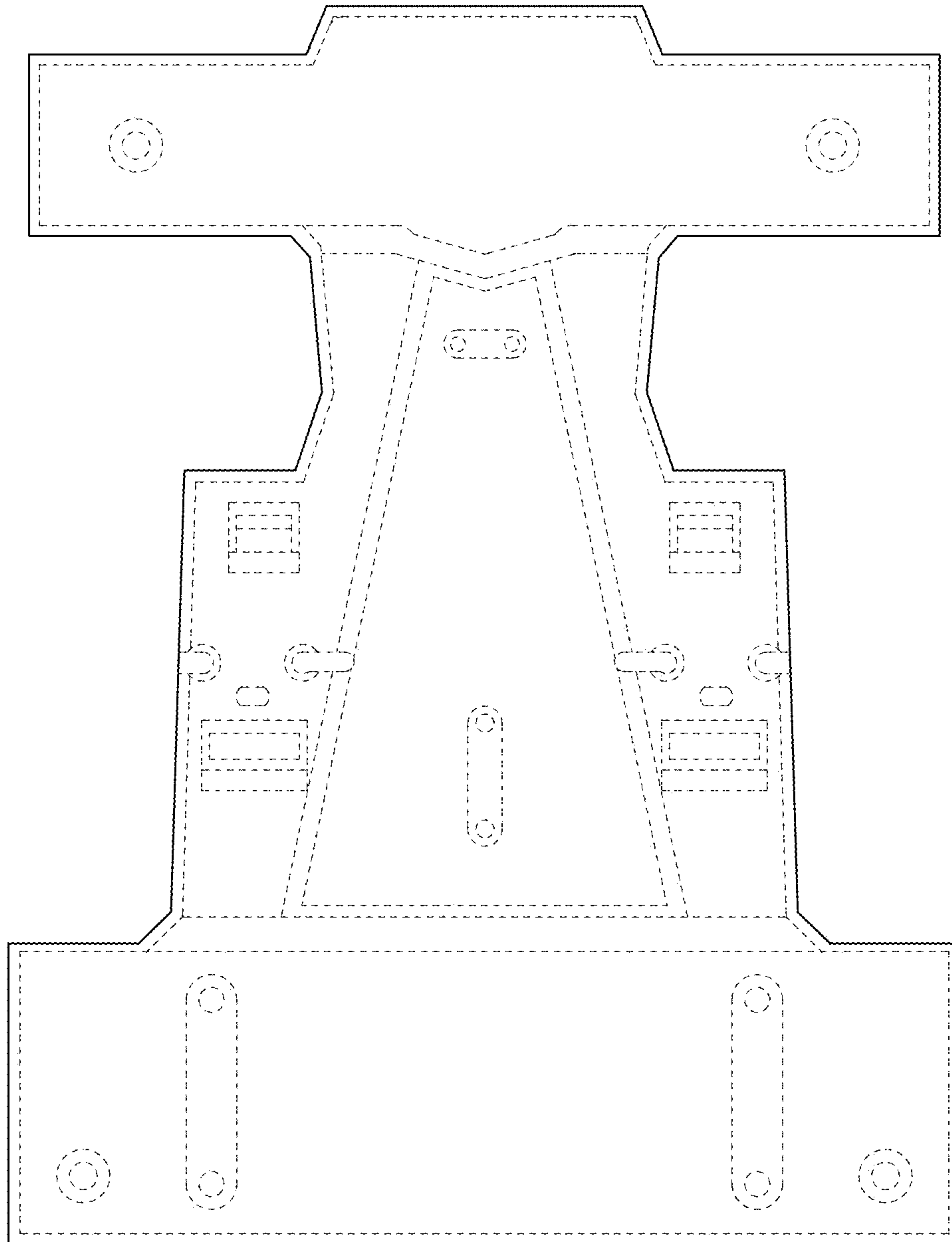


FIG. 3

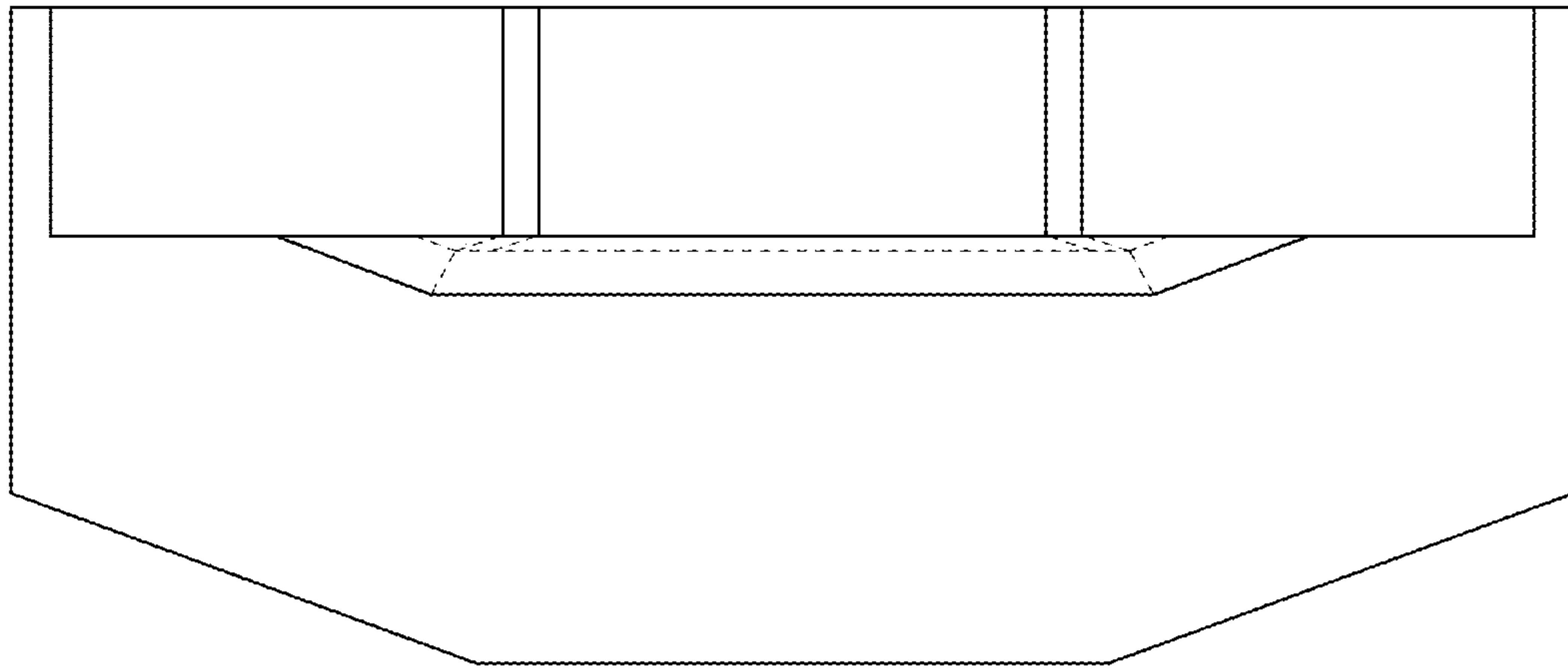


FIG. 4

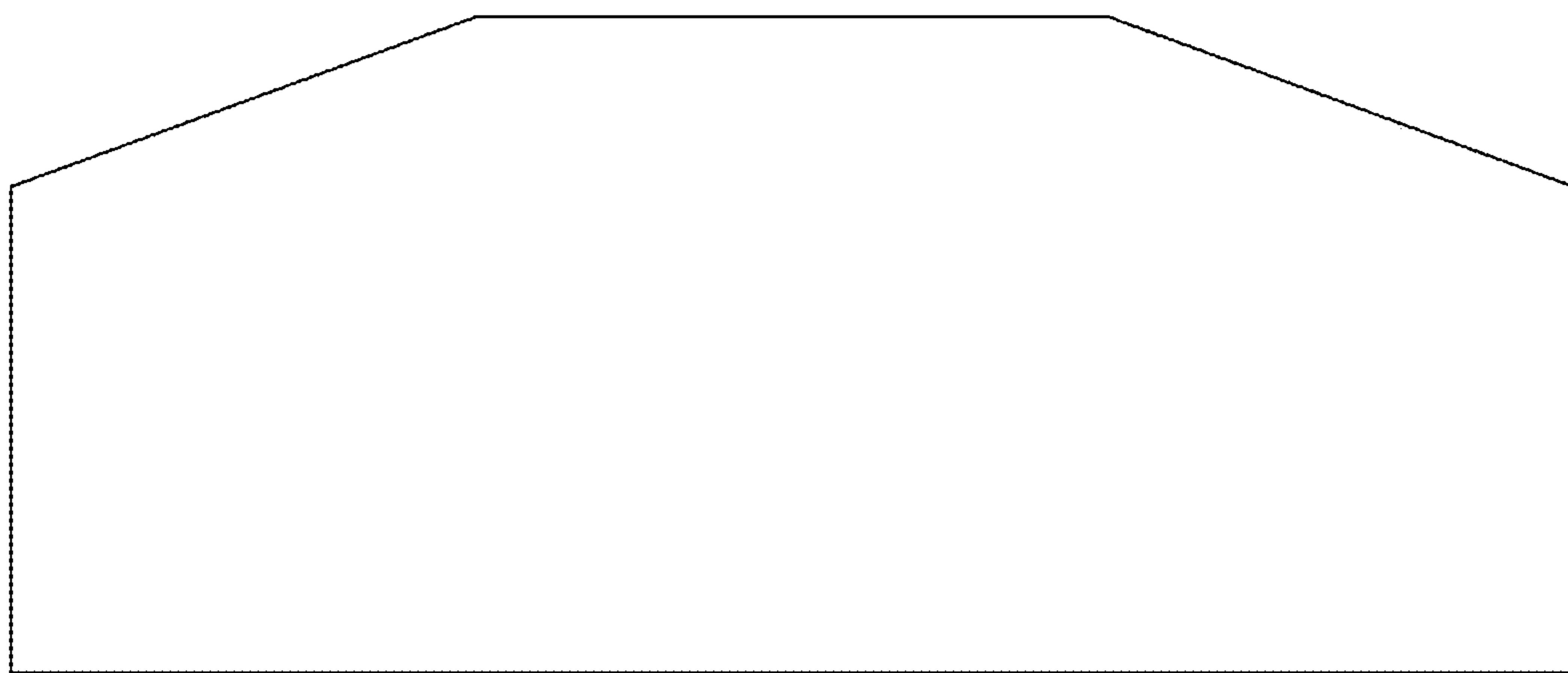


FIG. 5

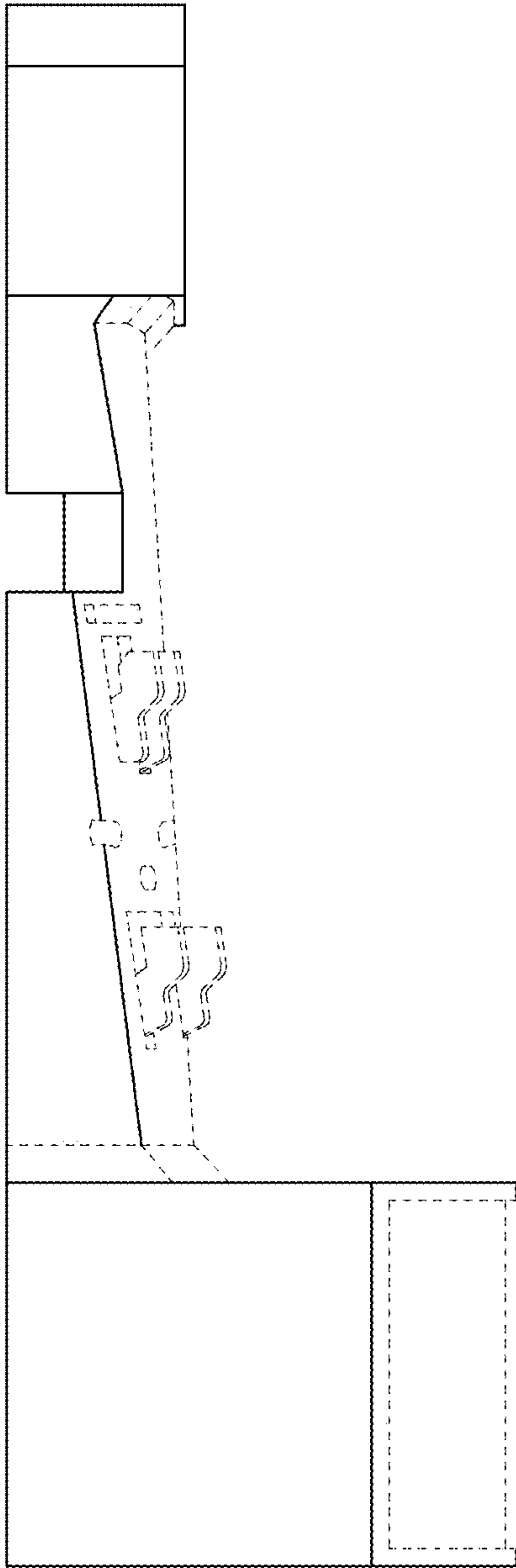


FIG. 6

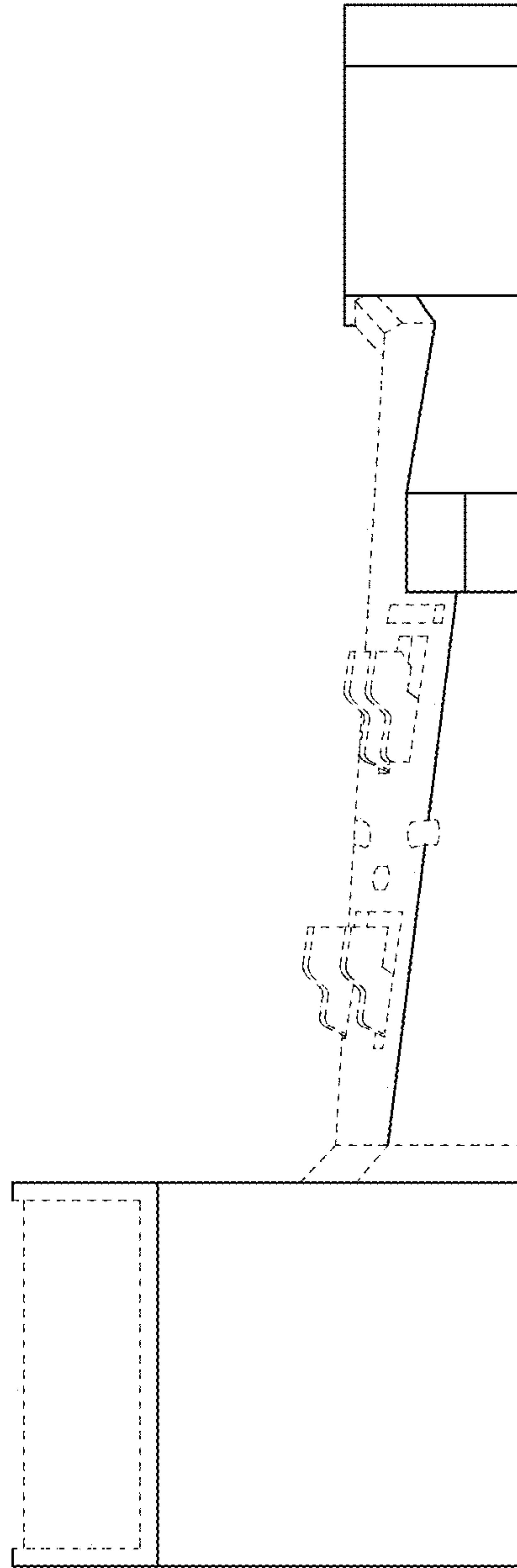


FIG. 7



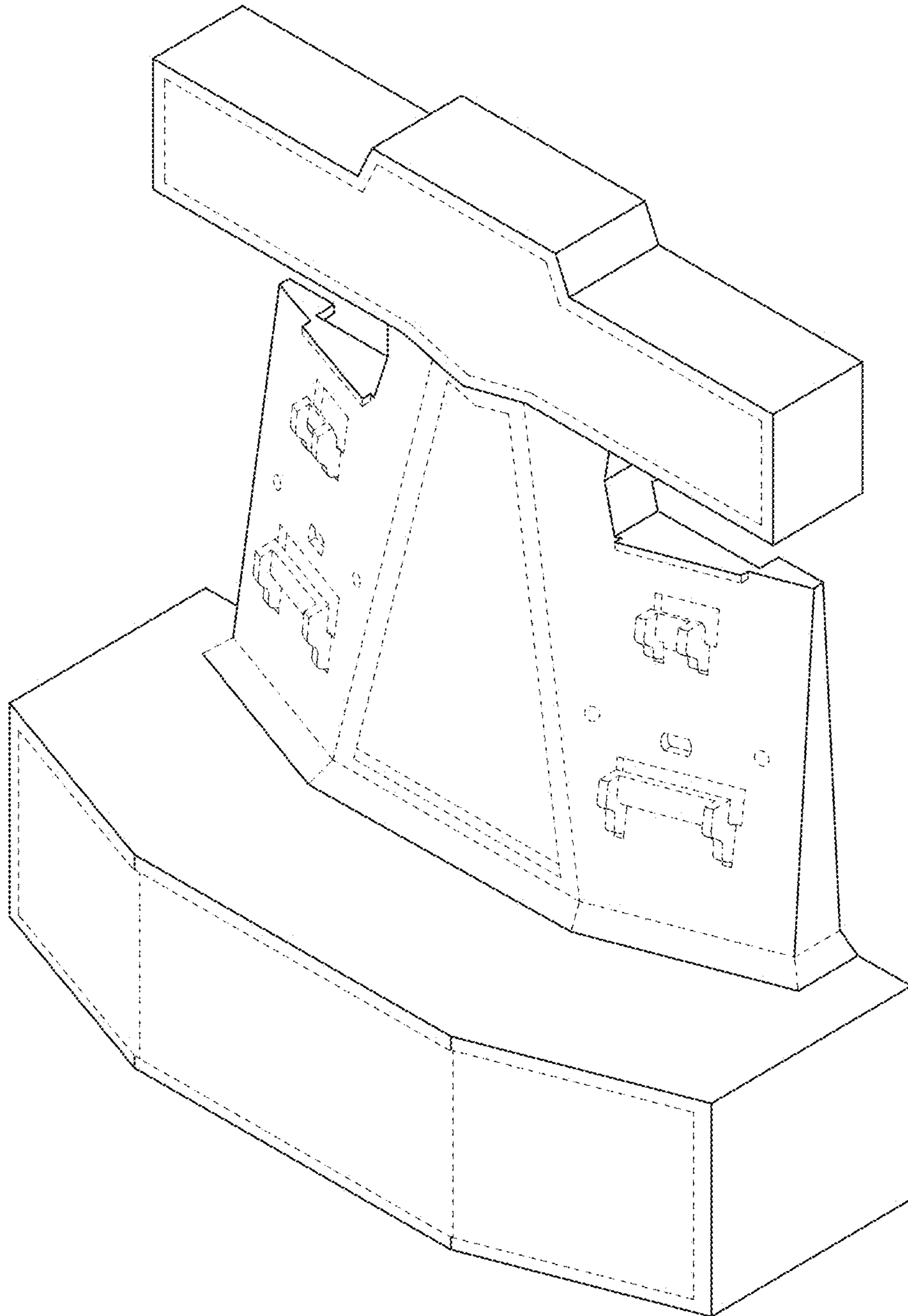


FIG. 8

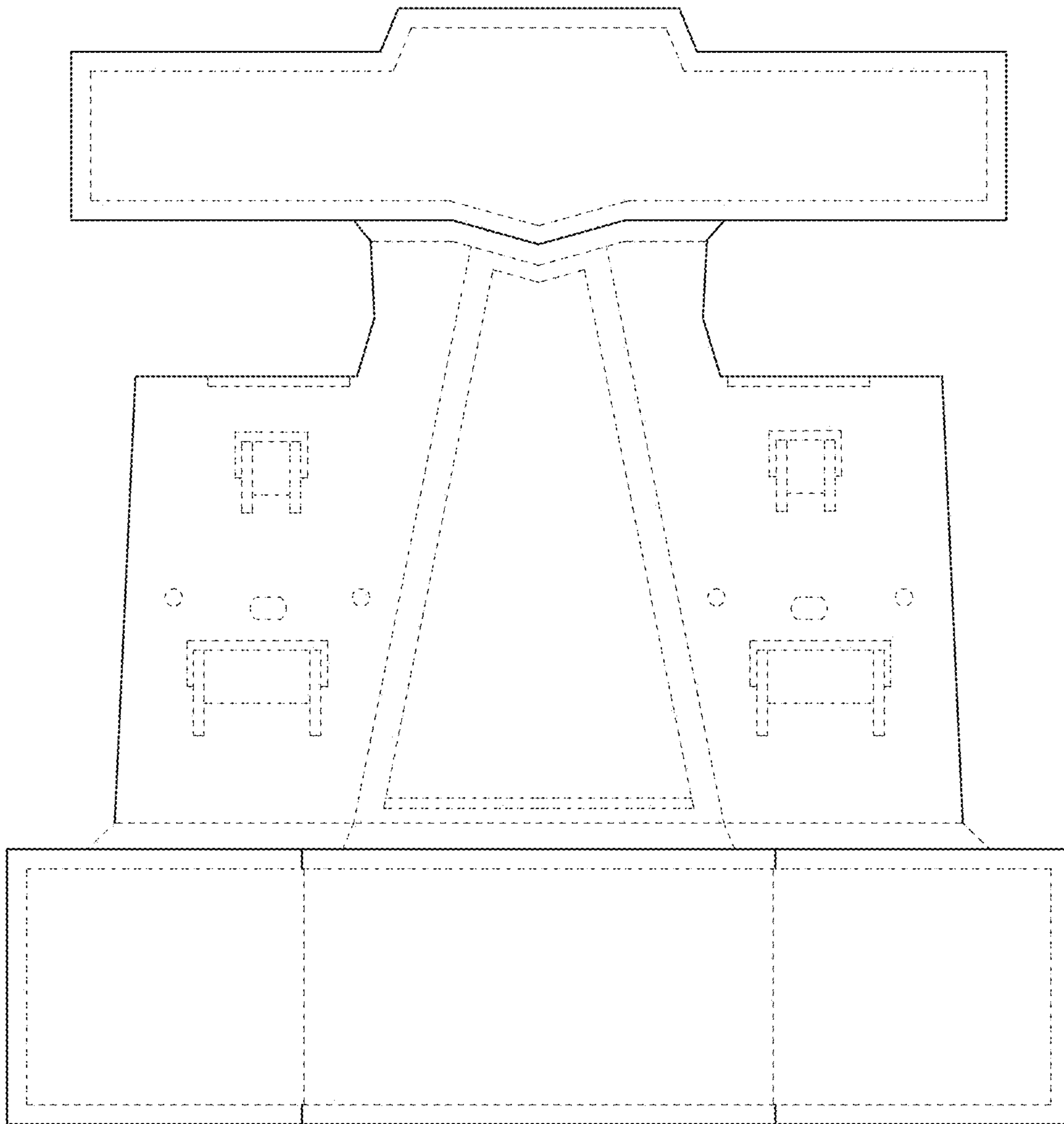


FIG. 9



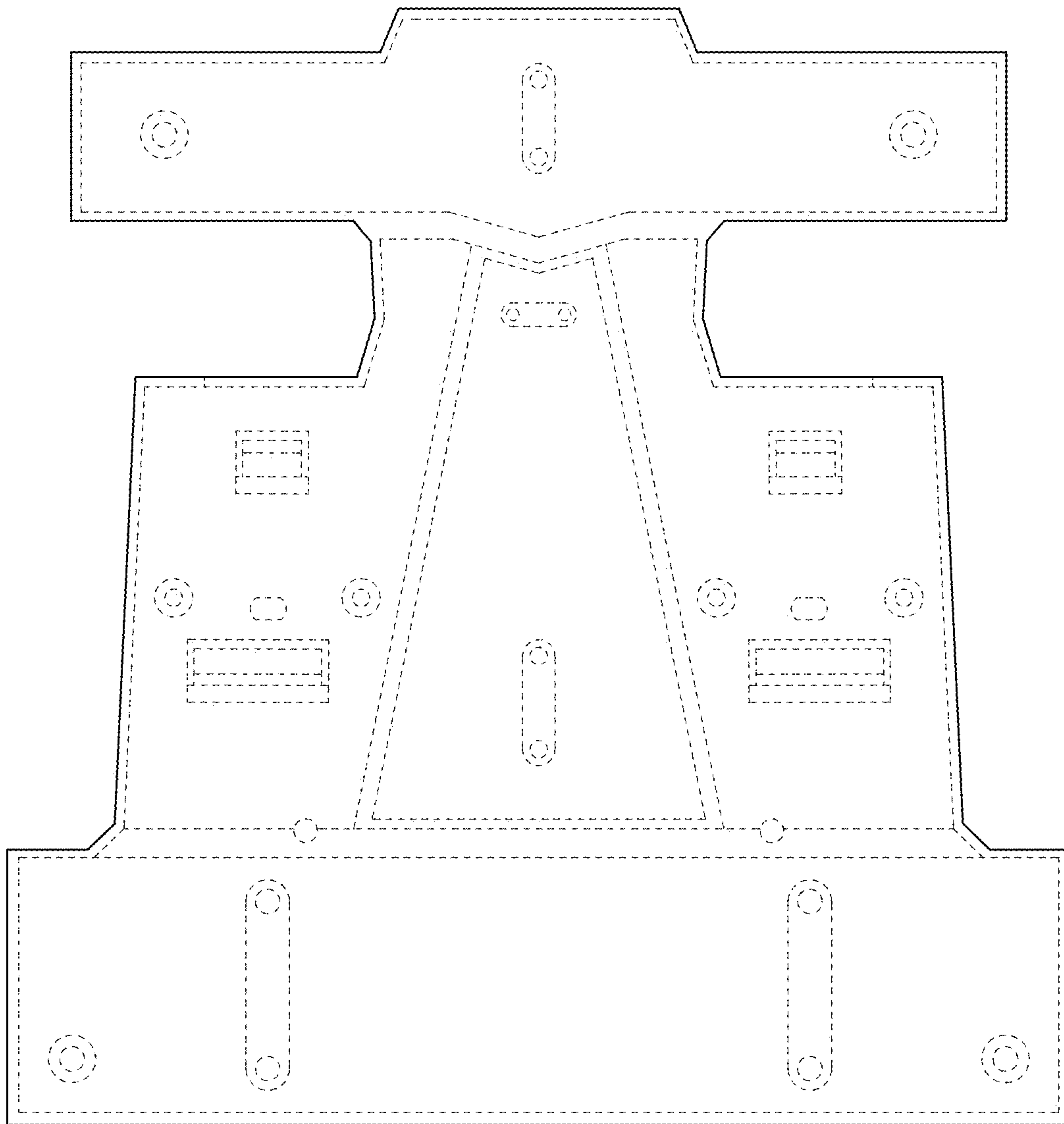


FIG. 10

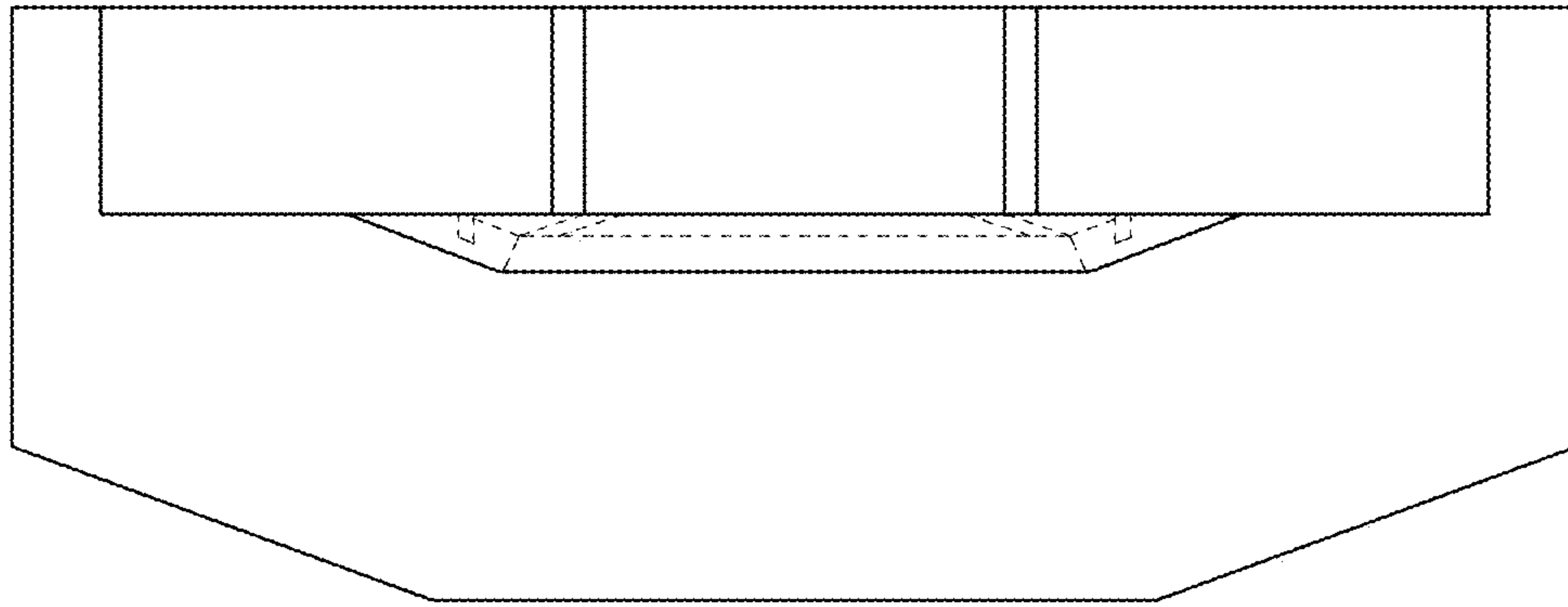


FIG. 1 1

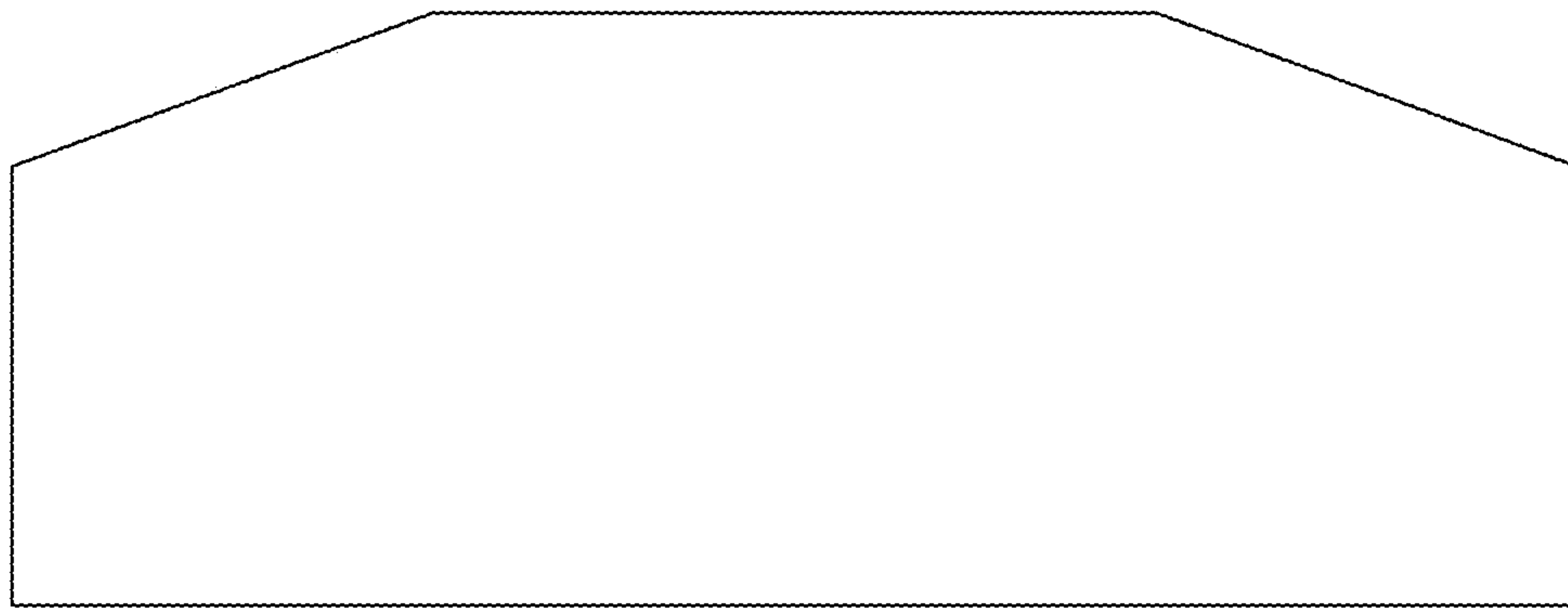


FIG. 1 2

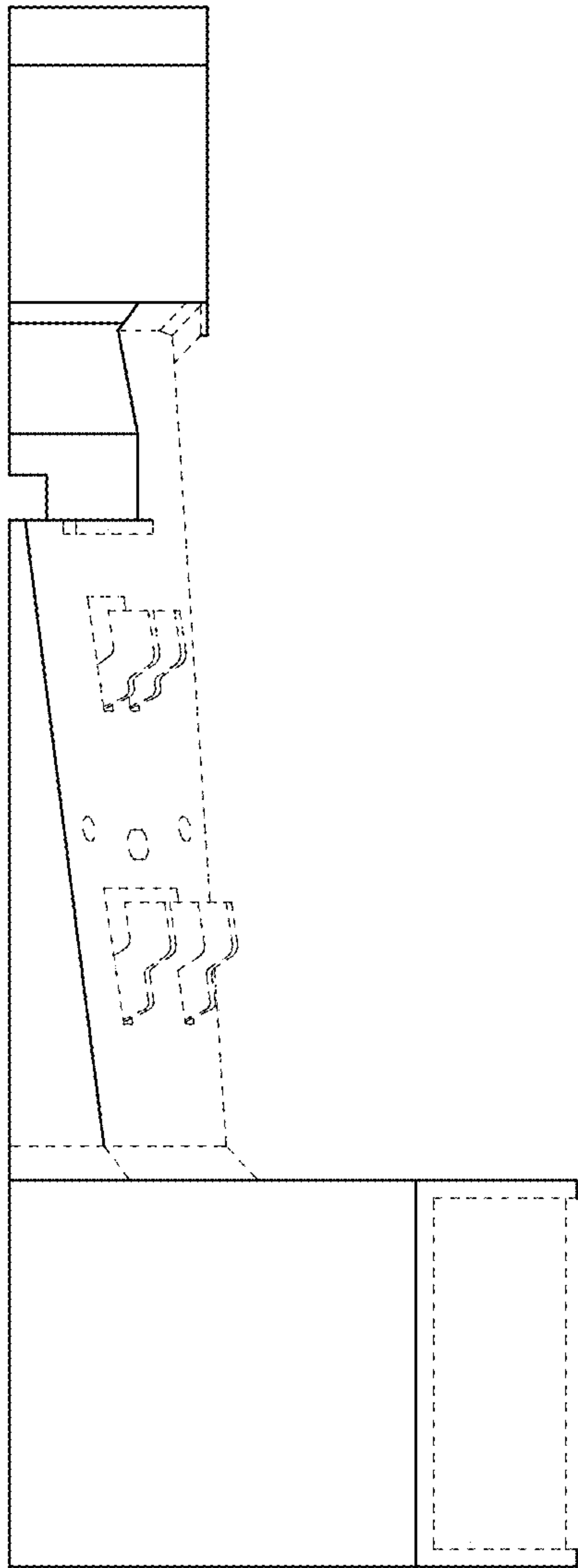


FIG. 13

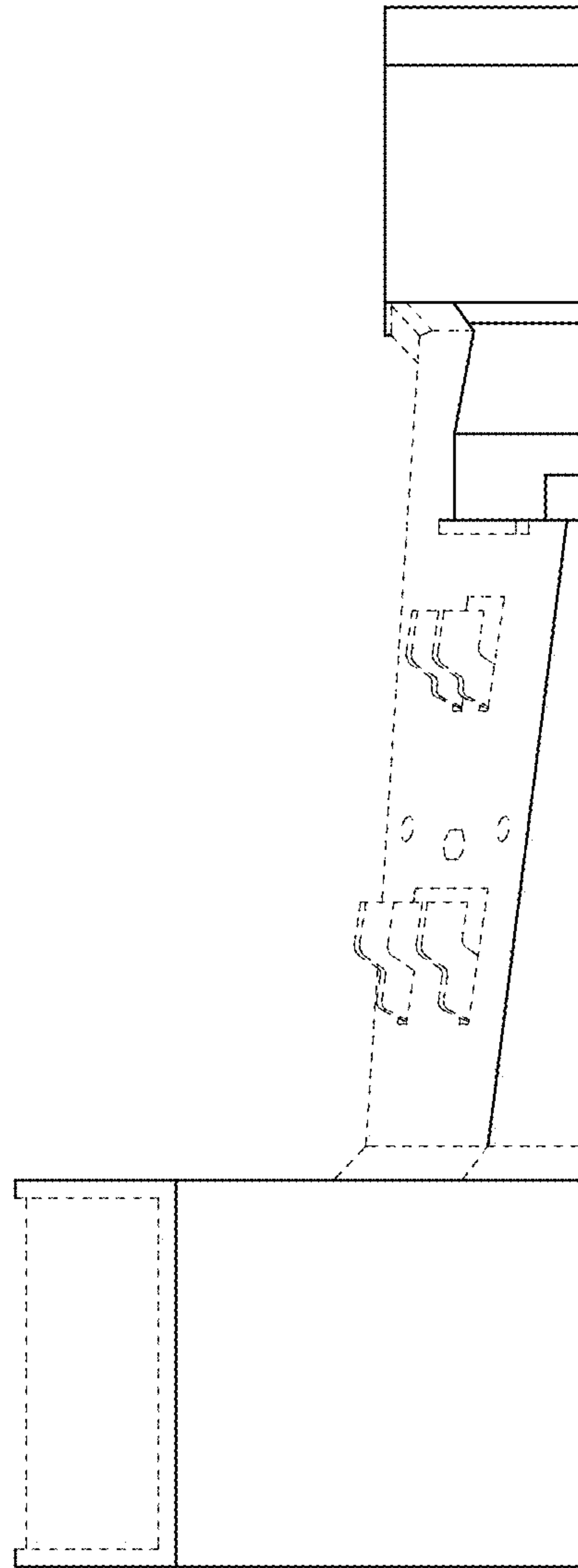


FIG. 14